



US00D427825S

United States Patent [19]
Mooney

[11] **Patent Number: Des. 427,825**
[45] **Date of Patent: ** Jul. 11, 2000**

[54] **BAG DISPENSER**

4,364,490 12/1982 Lang et al. 220/407
4,721,226 1/1988 Yurko 220/407

[76] Inventor: **Marshall Mooney**, 22 Edgeley Road,
Edgeley, Stockport, SK3 9NB, United
Kingdom

Primary Examiner—Brian N. Vinson
Attorney, Agent, or Firm—Bergert & Bergert

[**] Term: **14 Years**

[57] **CLAIM**

[21] Appl. No.: **29/105,629**

The ornamental design for a bag dispenser, as shown and described.

[22] Filed: **May 27, 1999**

DESCRIPTION

[51] **LOC (7) Cl.** **20-02**

FIG. 1 is a perspective view from above, front and one side with lid closed;

[52] **U.S. Cl.** **D6/515**

FIG. 2 is a perspective view from above, front and one side with lid open;

[58] **Field of Search** D6/515; D34/10;
206/390, 397; 220/908, 909, 403, 404,
407

FIG. 3 is a perspective view from below, front and one side;

FIG. 4 is a perspective view from below, rear and other side;

FIG. 5 is a plan view; and,

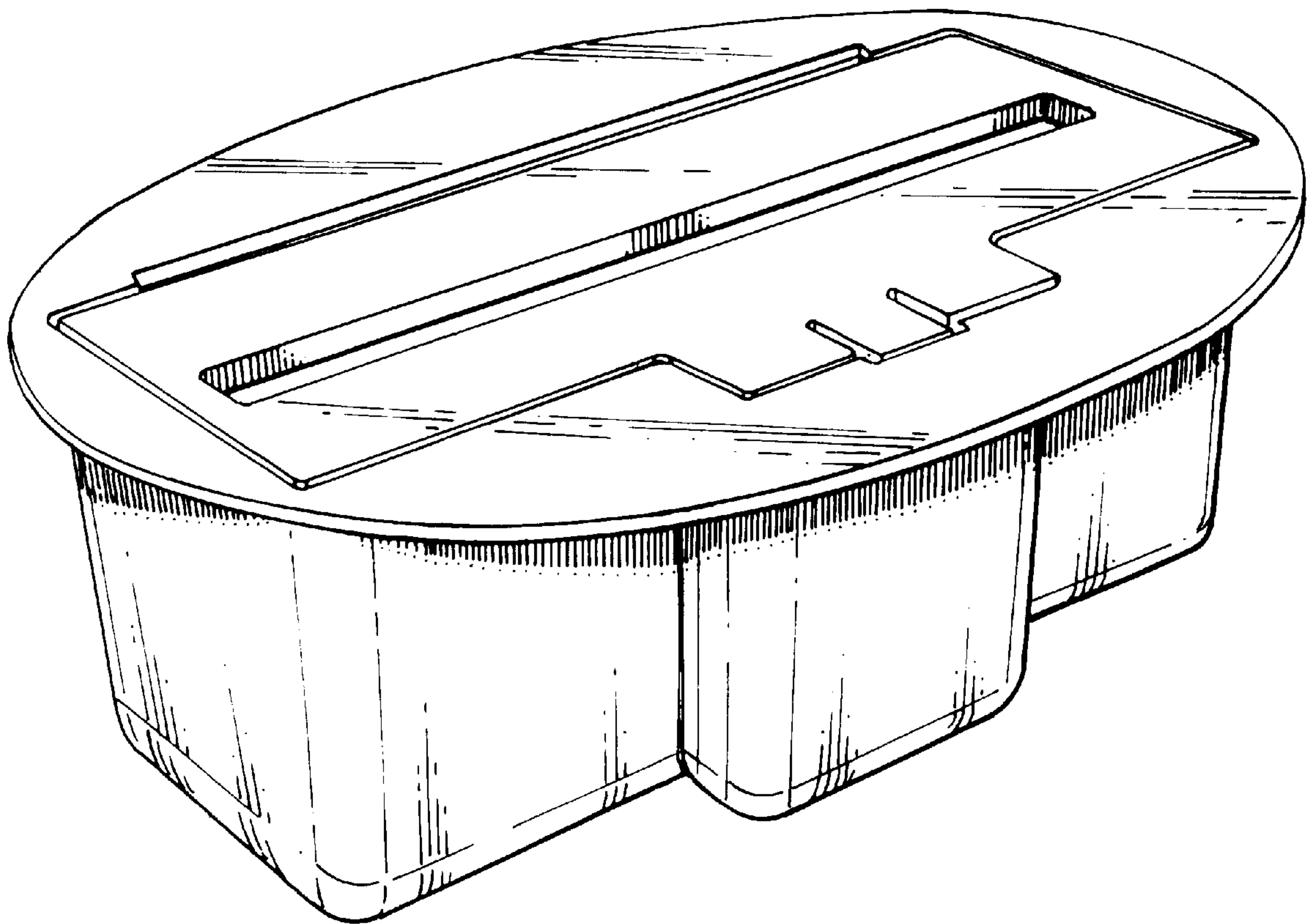
FIG. 6 is an underneath plan view.

[56] **References Cited**

U.S. PATENT DOCUMENTS

D. 391,725 3/1998 Triglia D6/515

1 Claim, 4 Drawing Sheets



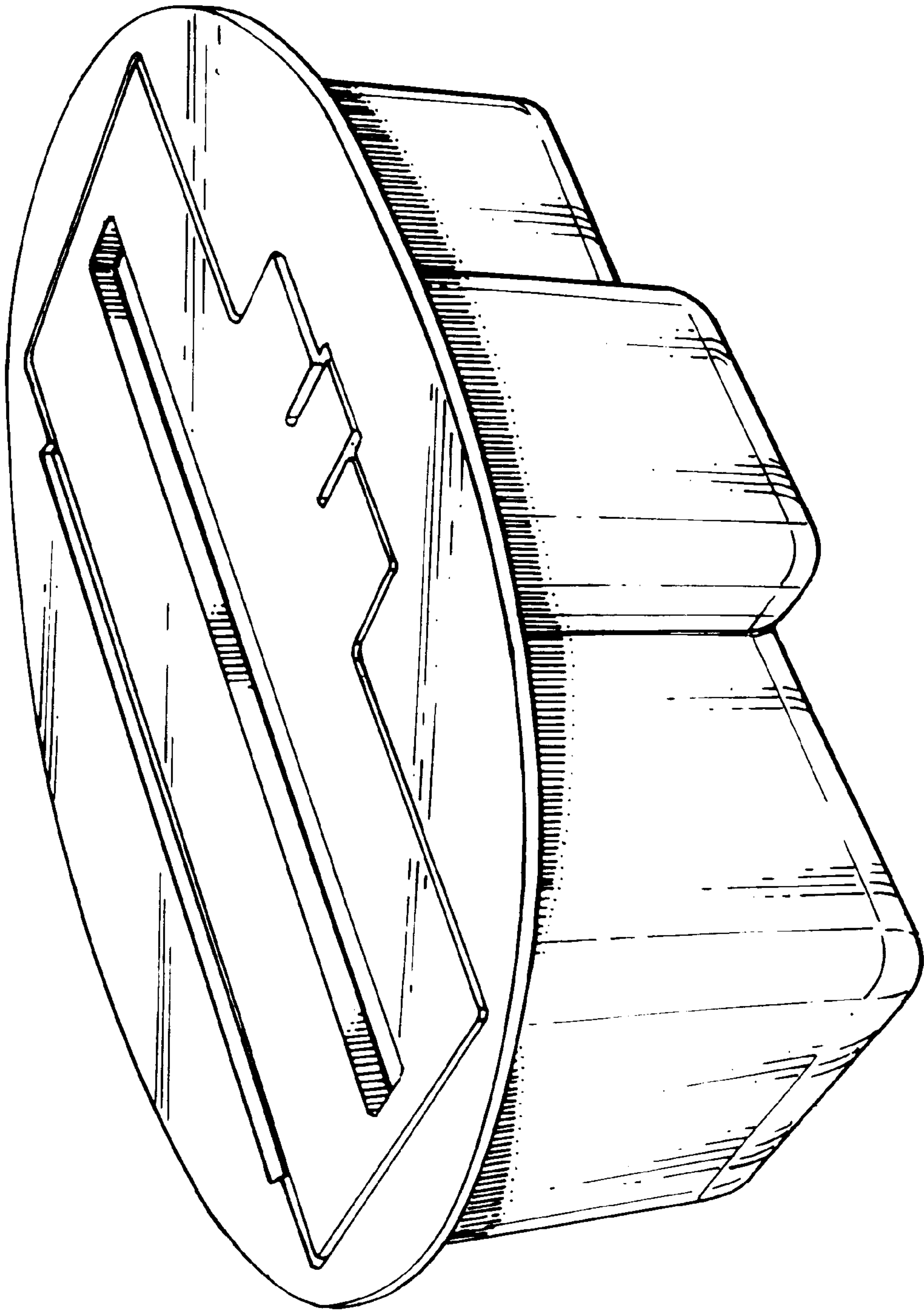


FIG. 1

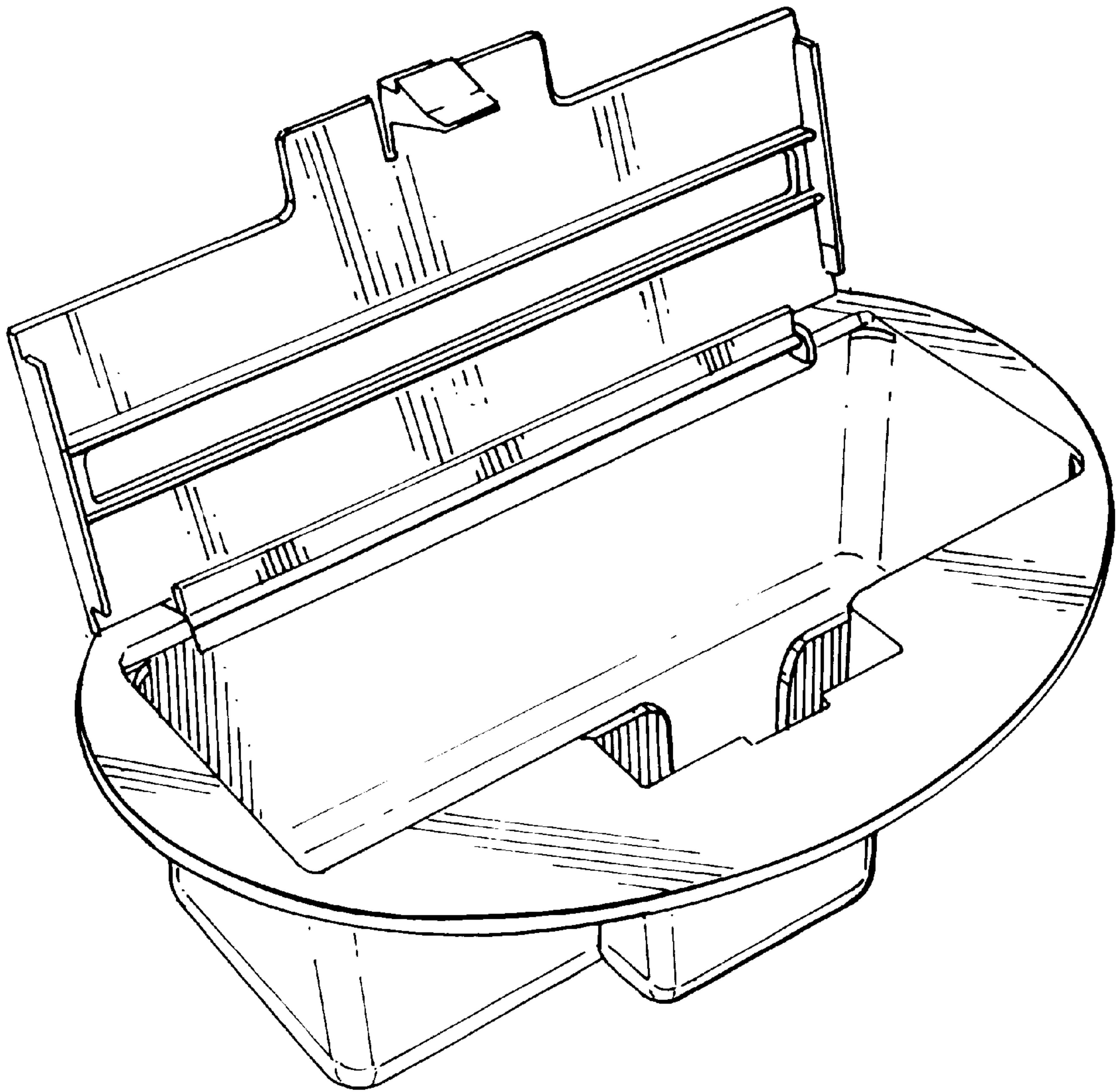


FIG. 2

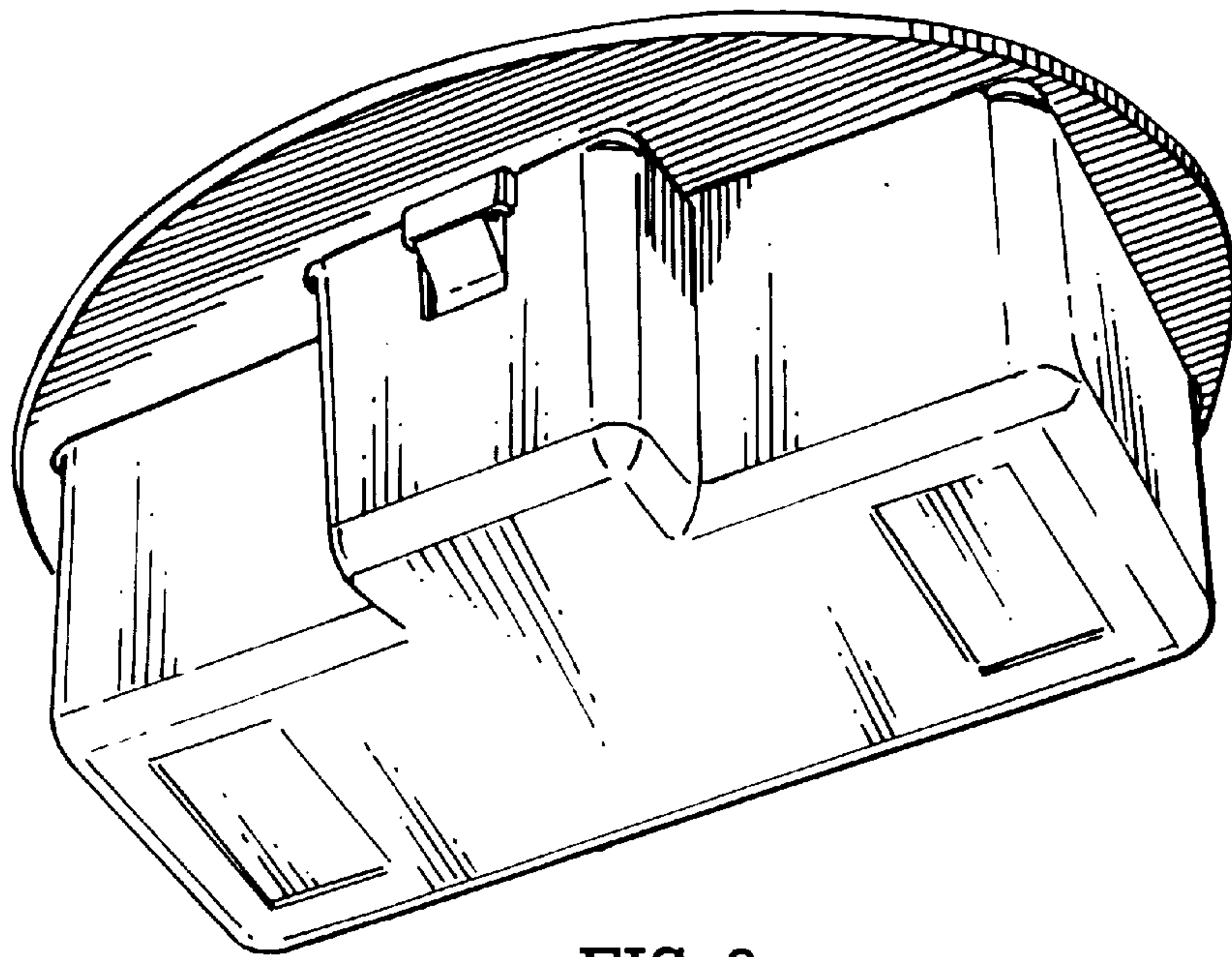


FIG. 3

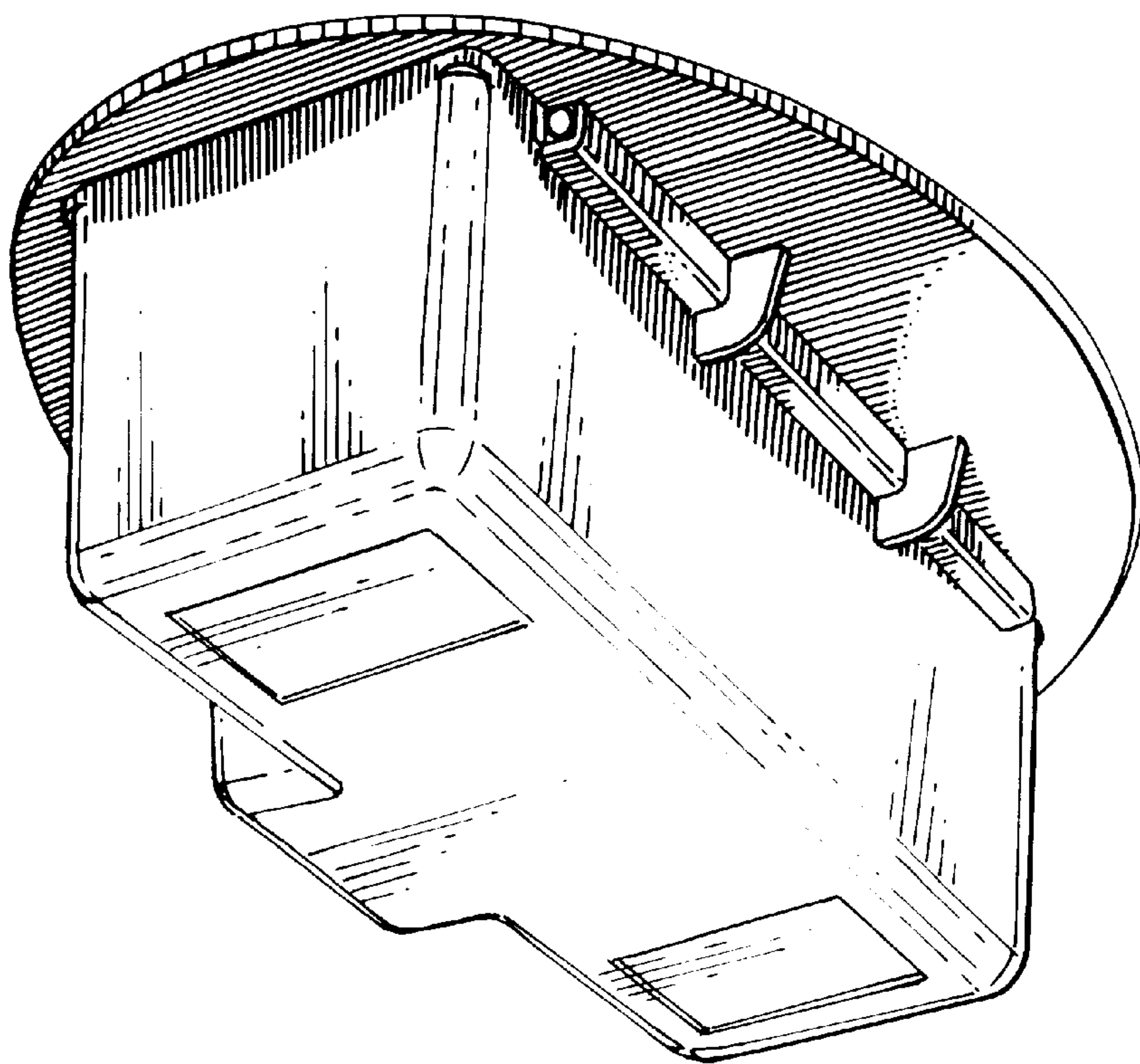


FIG. 4

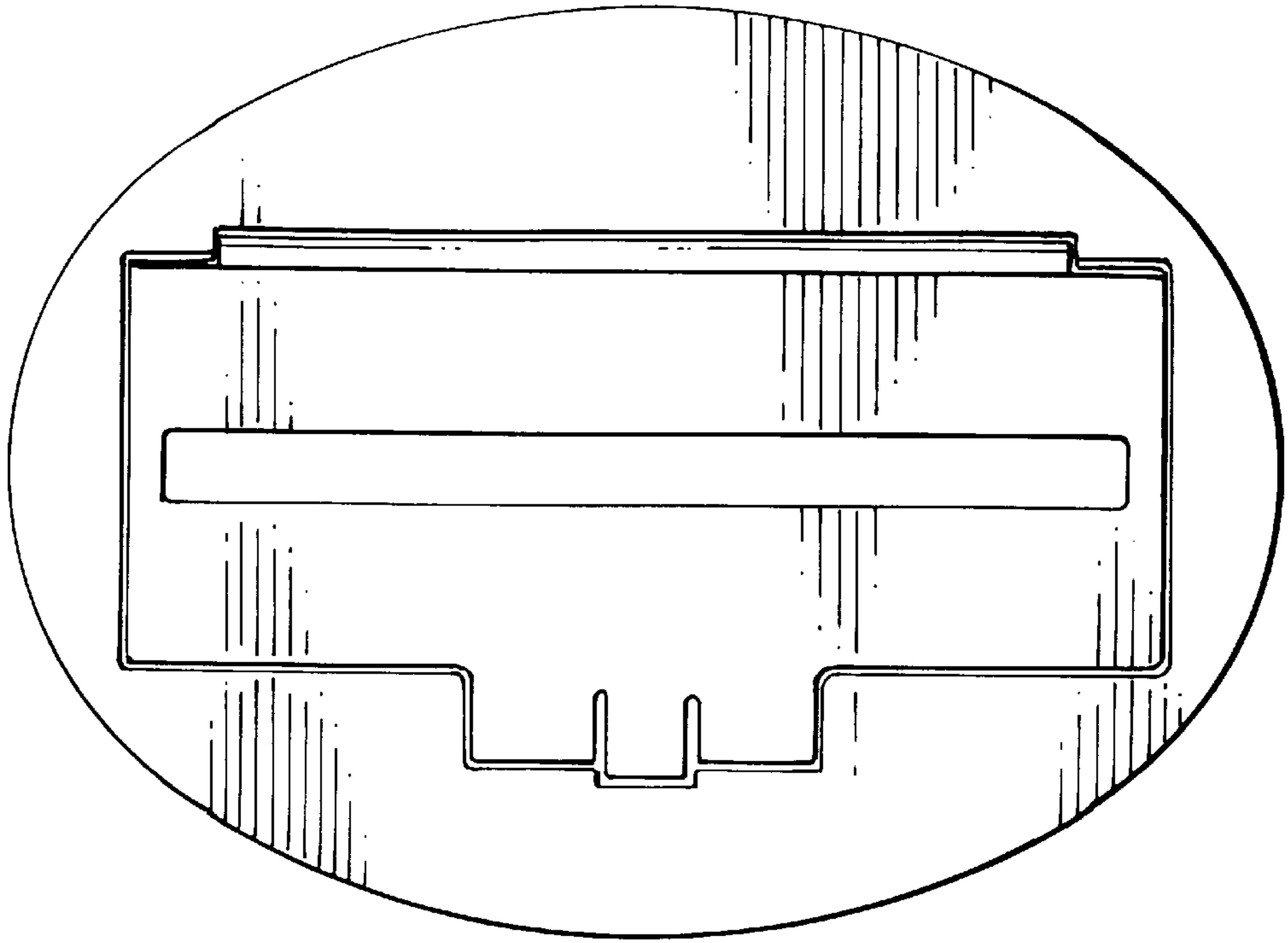


FIG. 5

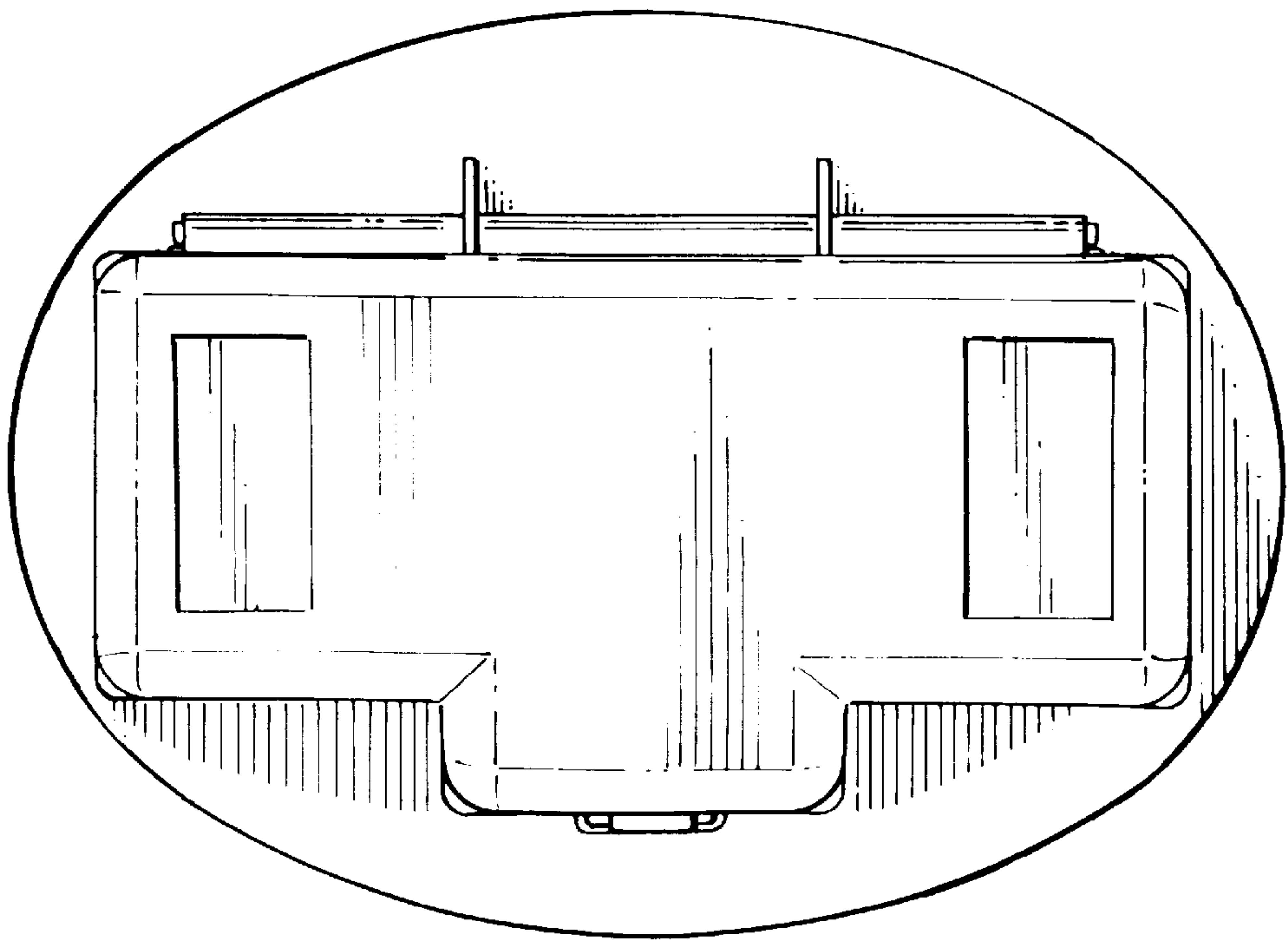


FIG. 6