



US00D427824S

United States Patent [19]

[11] **Patent Number: Des. 427,824**

Osburn et al.

[45] **Date of Patent: ** Jul. 11, 2000**

[54] **SHELF FOR MERCHANDISE DISPLAY**

5,205,524 4/1993 Cohen 248/235
5,921,412 7/1999 Merl 211/187 X

[75] Inventors: **David B. Osburn**, Upland; **Lee Pearly**, Fountain Valley, both of Calif.

Primary Examiner—Cathron B. Matta
Attorney, Agent, or Firm—Foley & Lardner

[73] Assignee: **Fiskars Inc.**, Madison, Wis.

[57] **CLAIM**

[**] Term: **14 Years**

The ornamental design for a shelf for merchandise display, as shown and described.

[21] Appl. No.: **29/102,459**

DESCRIPTION

[22] Filed: **Mar. 23, 1999**

[51] **LOC (7) Cl.** **06-06**

[52] **U.S. Cl.** **D6/511; D6/463**

[58] **Field of Search** D6/396, 409, 410, D6/449, 458, 459, 462, 463, 464, 465, 509, 511; 108/59, 92, 93, 137, 143; 211/85.3, 85.4, 112, 119, 119.003, 133.2, 133.5, 187, 183

FIG. 1 is a perspective view of a first embodiment of a shelf for merchandise display showing our new design; FIG. 2 is an exploded perspective view thereof; FIG. 3 is an enlarged left side elevation view thereof, the elevation view of the right side being a mirror image of the left side elevation view; FIG. 4 is an enlarged top plan view thereof; FIG. 5 is an enlarged front elevation view thereof; FIG. 6 is an enlarged bottom plan view thereof; and, FIG. 7 is an enlarged back elevation view thereof. FIG. 8 is a perspective view of a second embodiment of a shelf for merchandise display showing our new design; FIG. 9 is an exploded perspective view thereof; FIG. 10 is an enlarged left side elevation view thereof, the elevation view of the right side being a mirror image of the left side elevation view; FIG. 11 is an enlarged top plan view thereof; FIG. 12 is an enlarged front elevation view thereof; FIG. 13 is an enlarged bottom plan view thereof; and, FIG. 14 is an enlarged back elevation view thereof. For each embodiment of my new design, the rack and securing bolt show in broken lines are for illustrative purposes only and do not form a part of the claimed design.

[56] **References Cited**

U.S. PATENT DOCUMENTS

D. 162,990	4/1951	Roeder	D80/10
D. 167,820	9/1952	Zel et al.	D80/10
D. 275,434	9/1984	Taub	D6/511
D. 321,609	11/1991	Dardashti	D6/463
D. 348,996	7/1994	Saunders	D6/465
D. 369,037	4/1996	Wyatt	D6/465
2,788,949	4/1957	Gurries	248/242
2,802,576	8/1957	Kelling	211/59
3,643,808	2/1972	Ryan et al.	211/49 D
4,315,572	2/1982	Clare	211/45
4,492,169	1/1985	Ware et al.	108/6
4,809,941	3/1989	Sheridan	248/249
4,858,867	8/1989	King	248/214
5,048,699	9/1991	Trevaskis	211/59.2

1 Claim, 14 Drawing Sheets

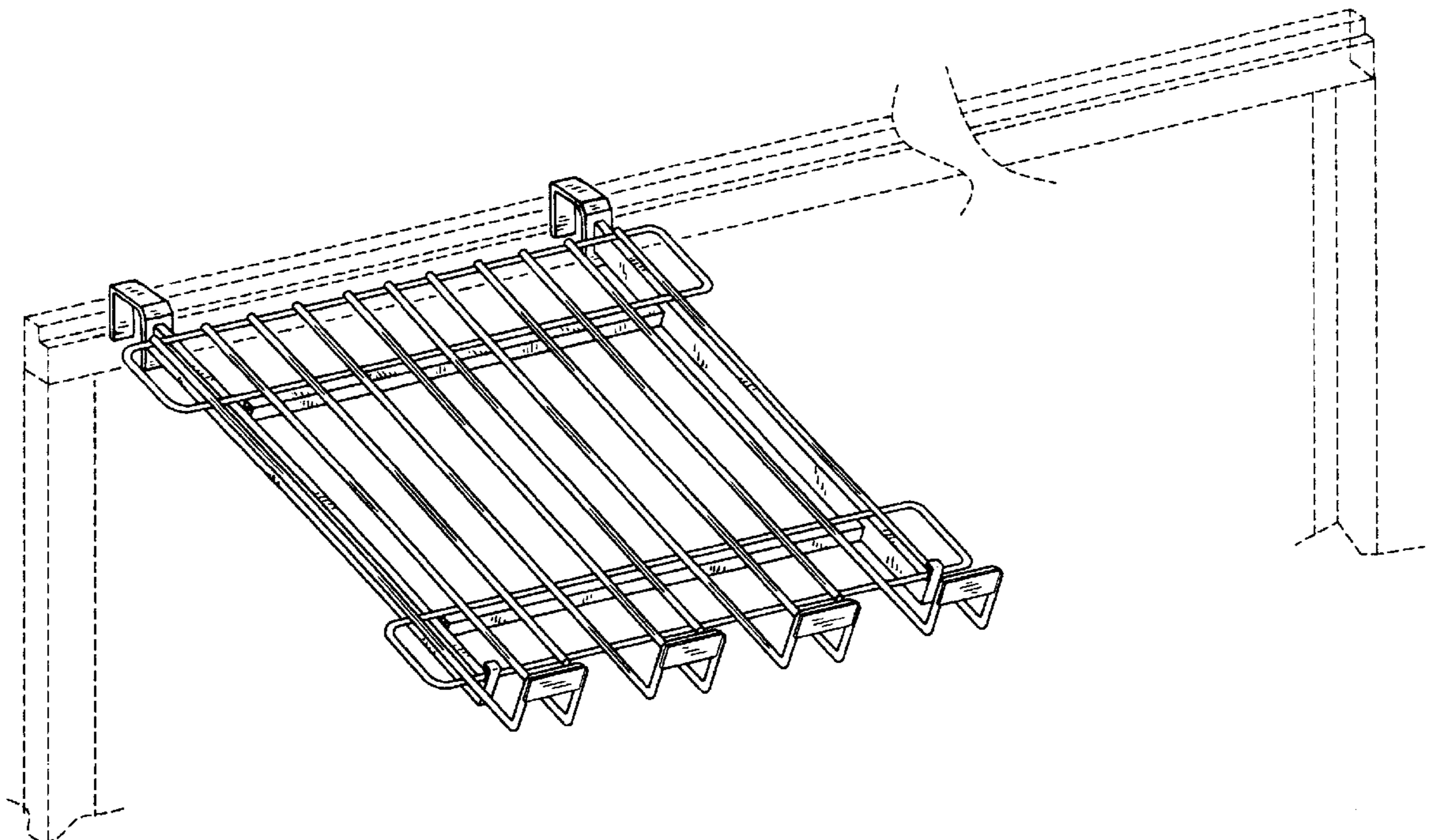


FIG. 1

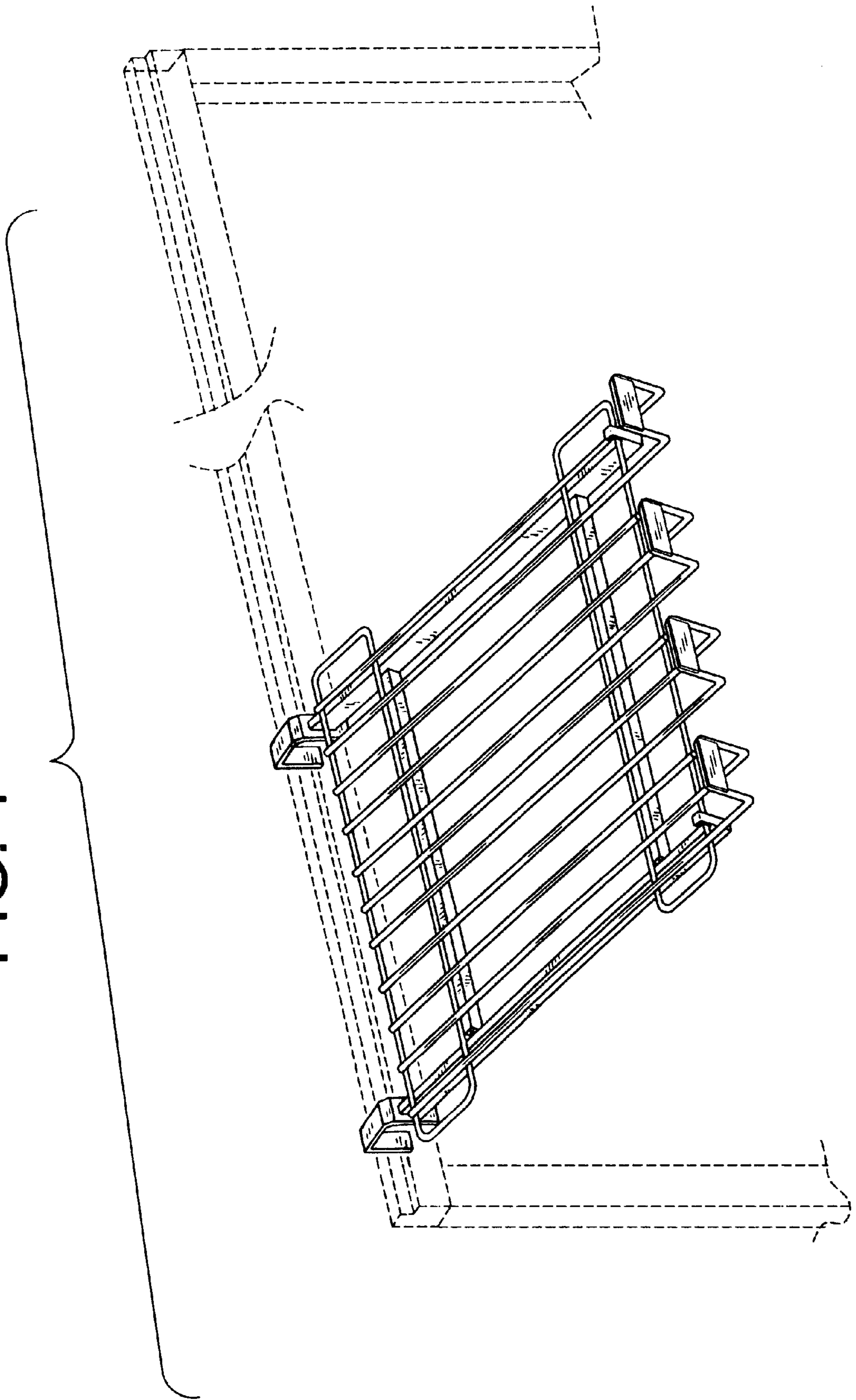


FIG. 2

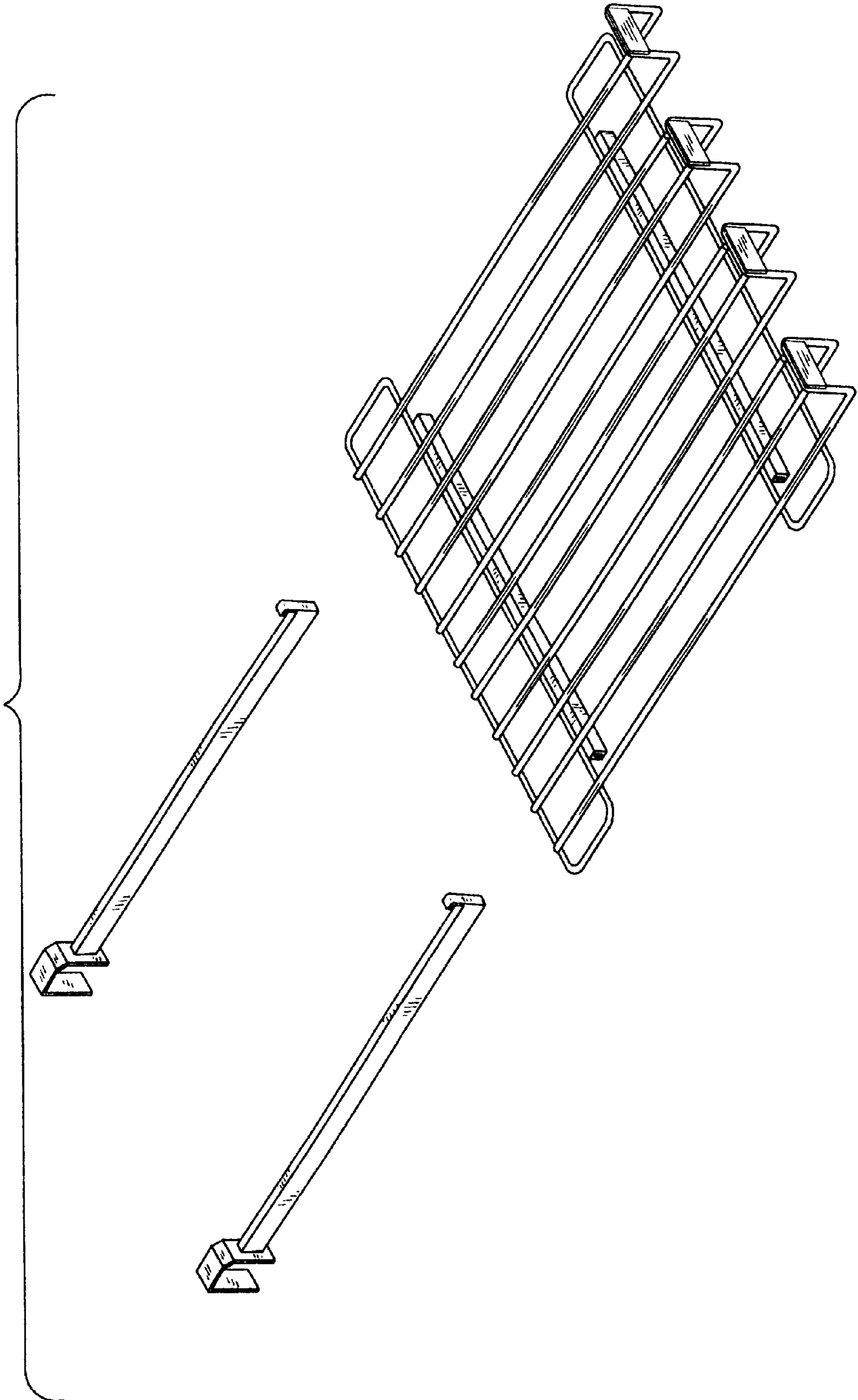


FIG. 3

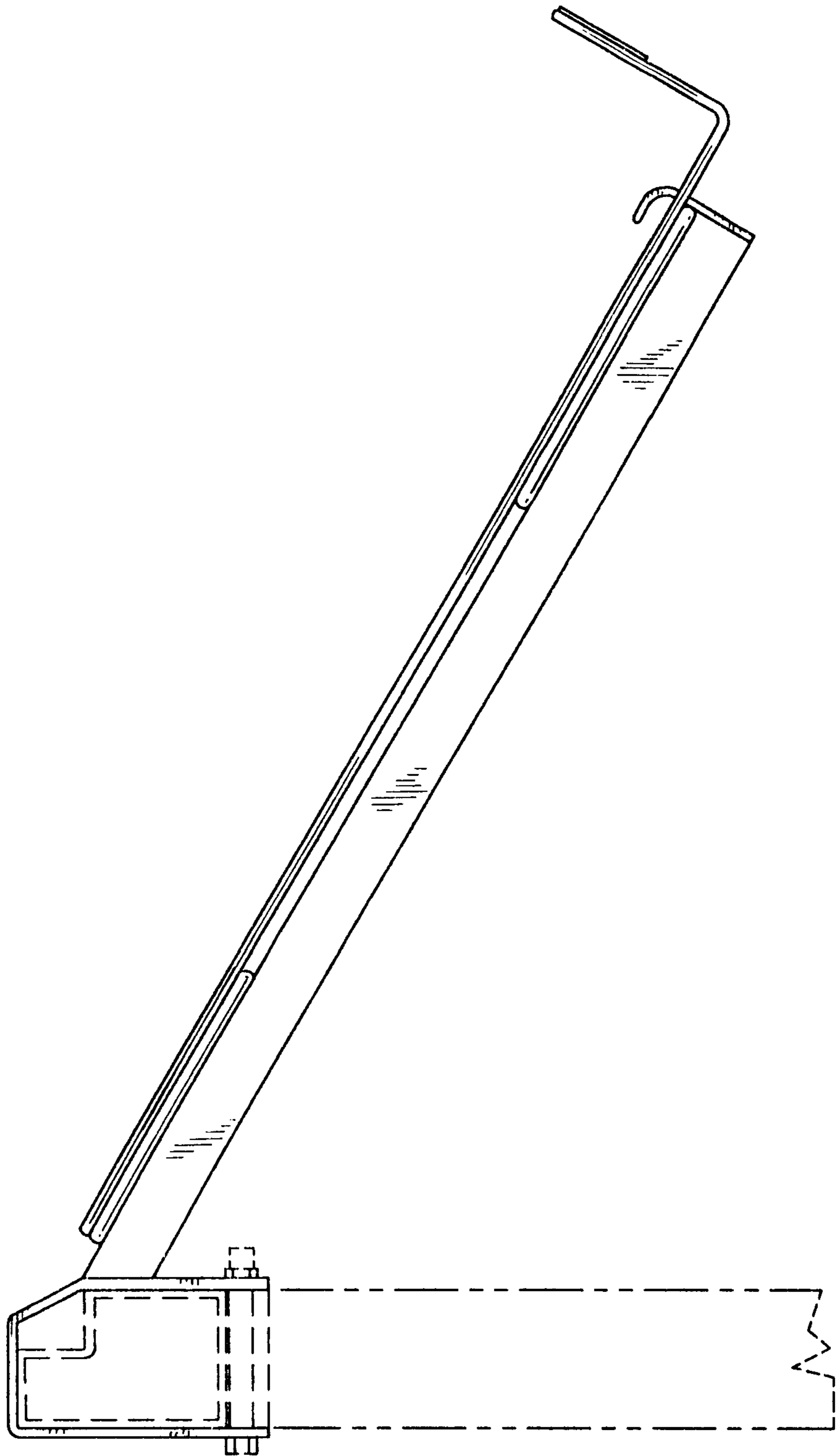


FIG. 4

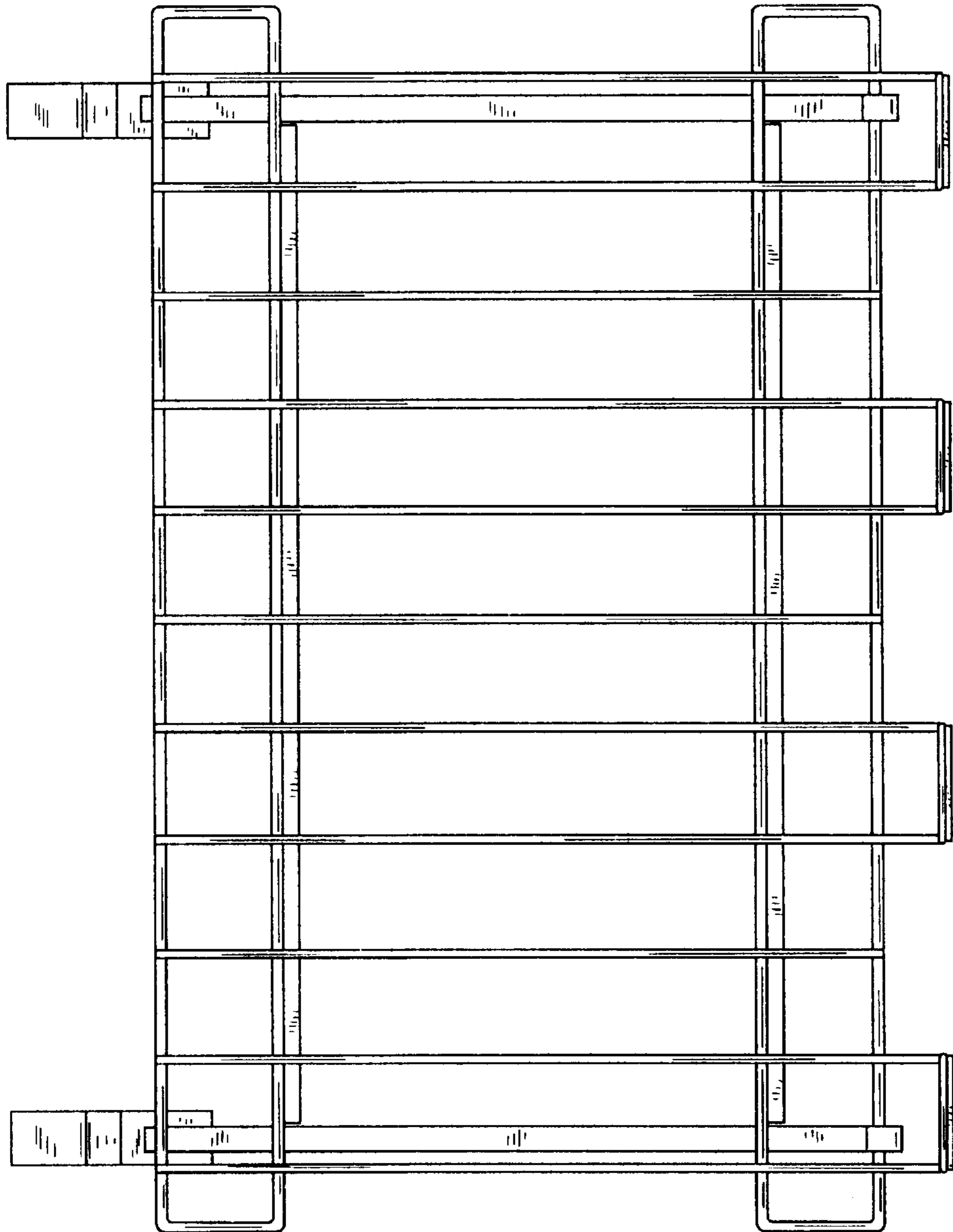


FIG. 5

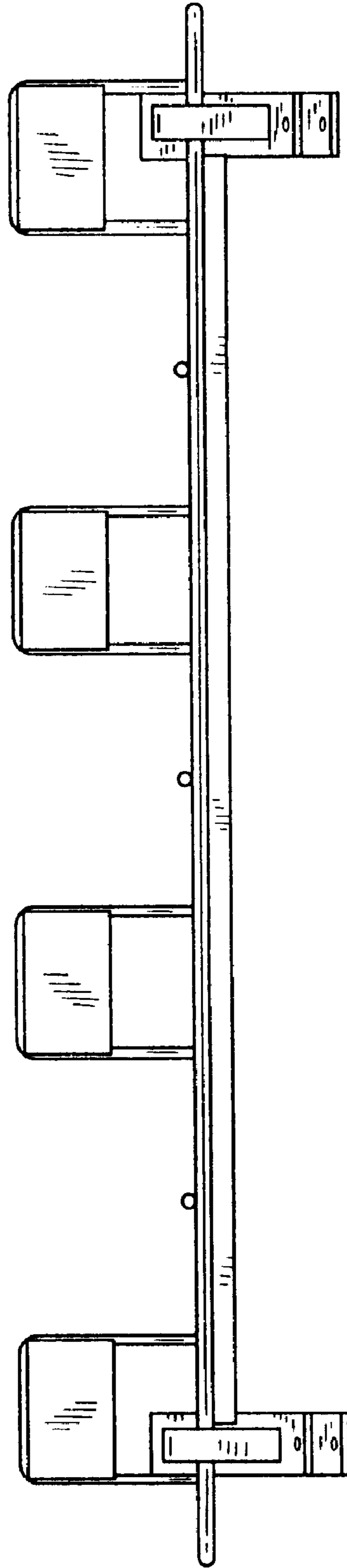


FIG. 6

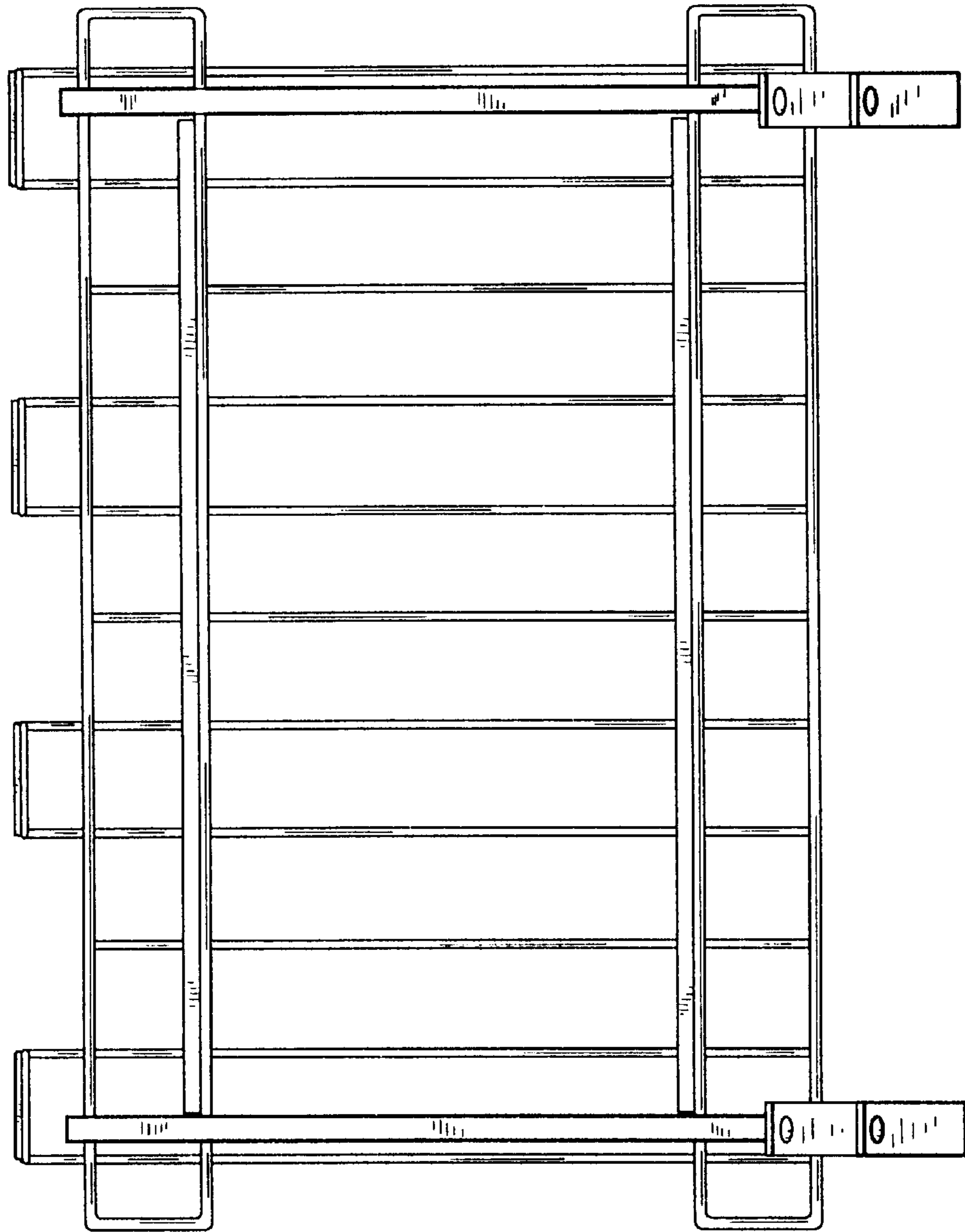


FIG. 7

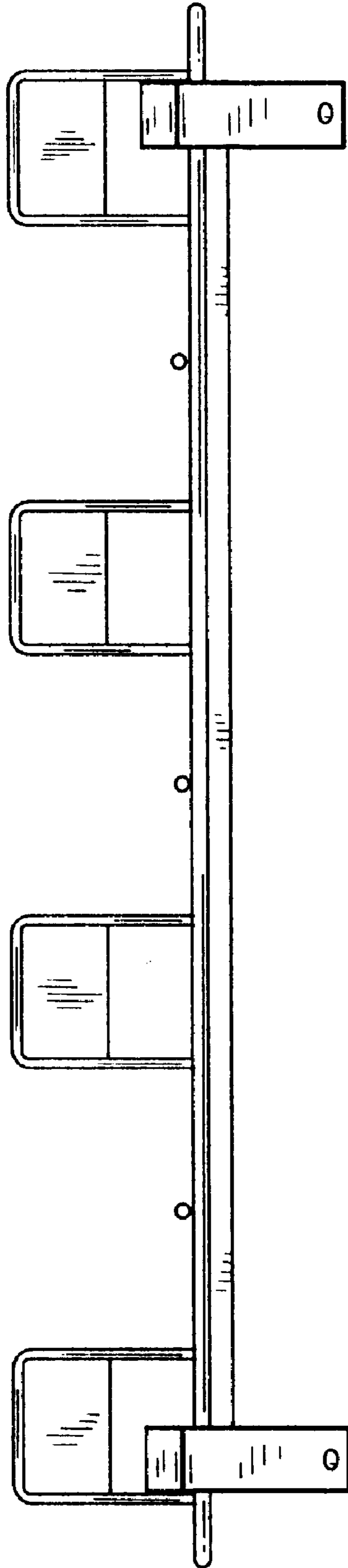


FIG. 8

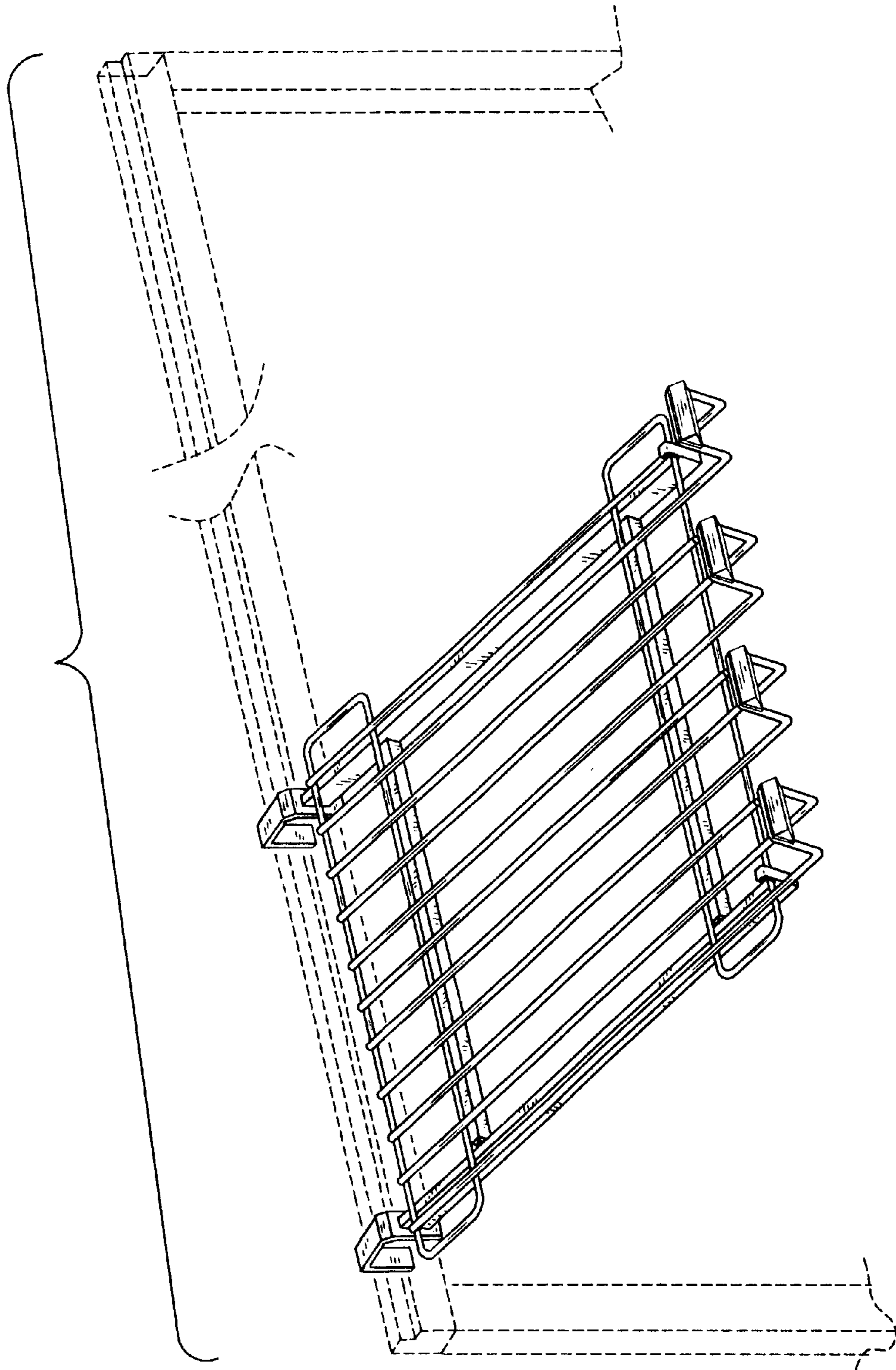


FIG. 9

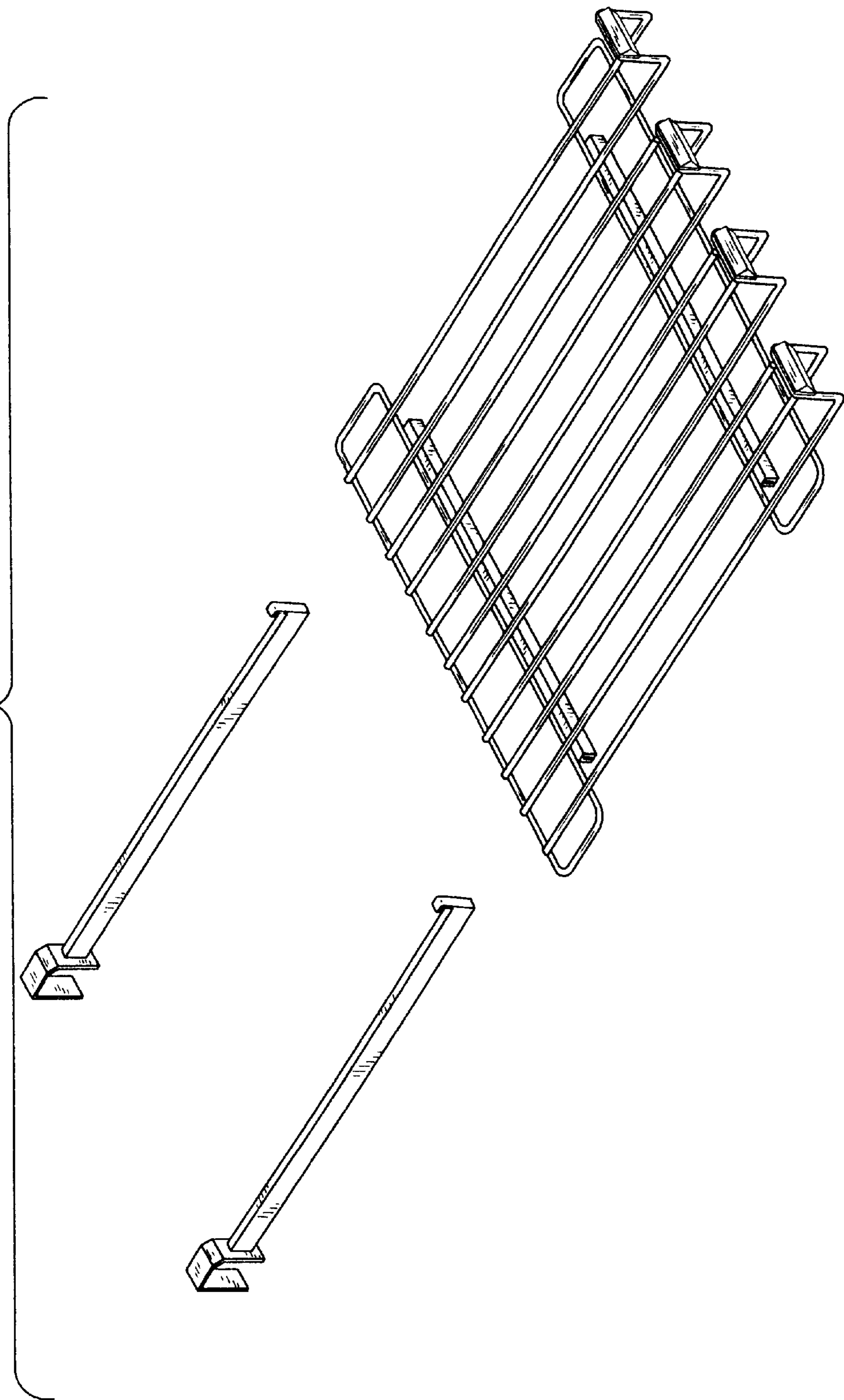


FIG. 10

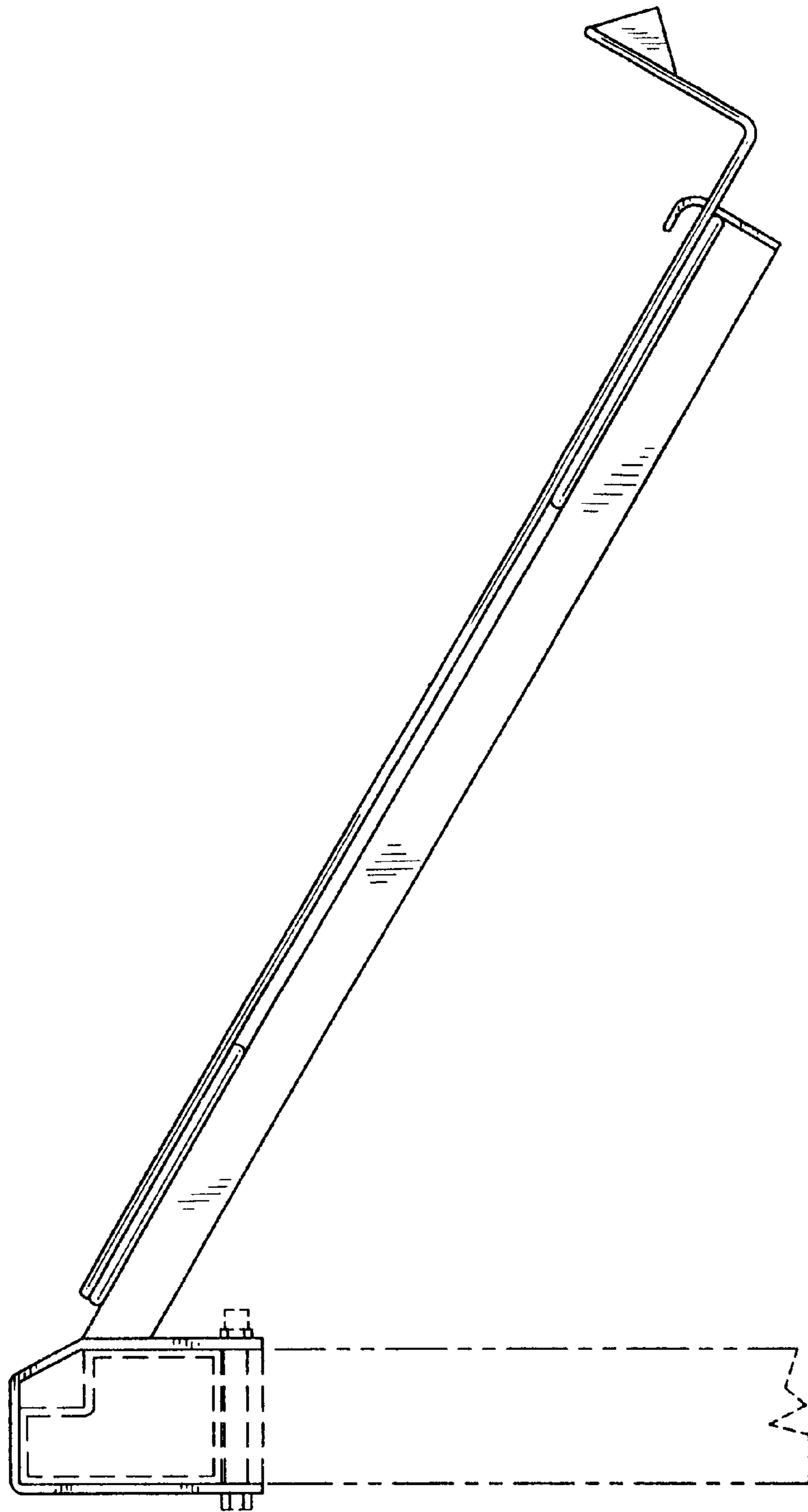


FIG. 11

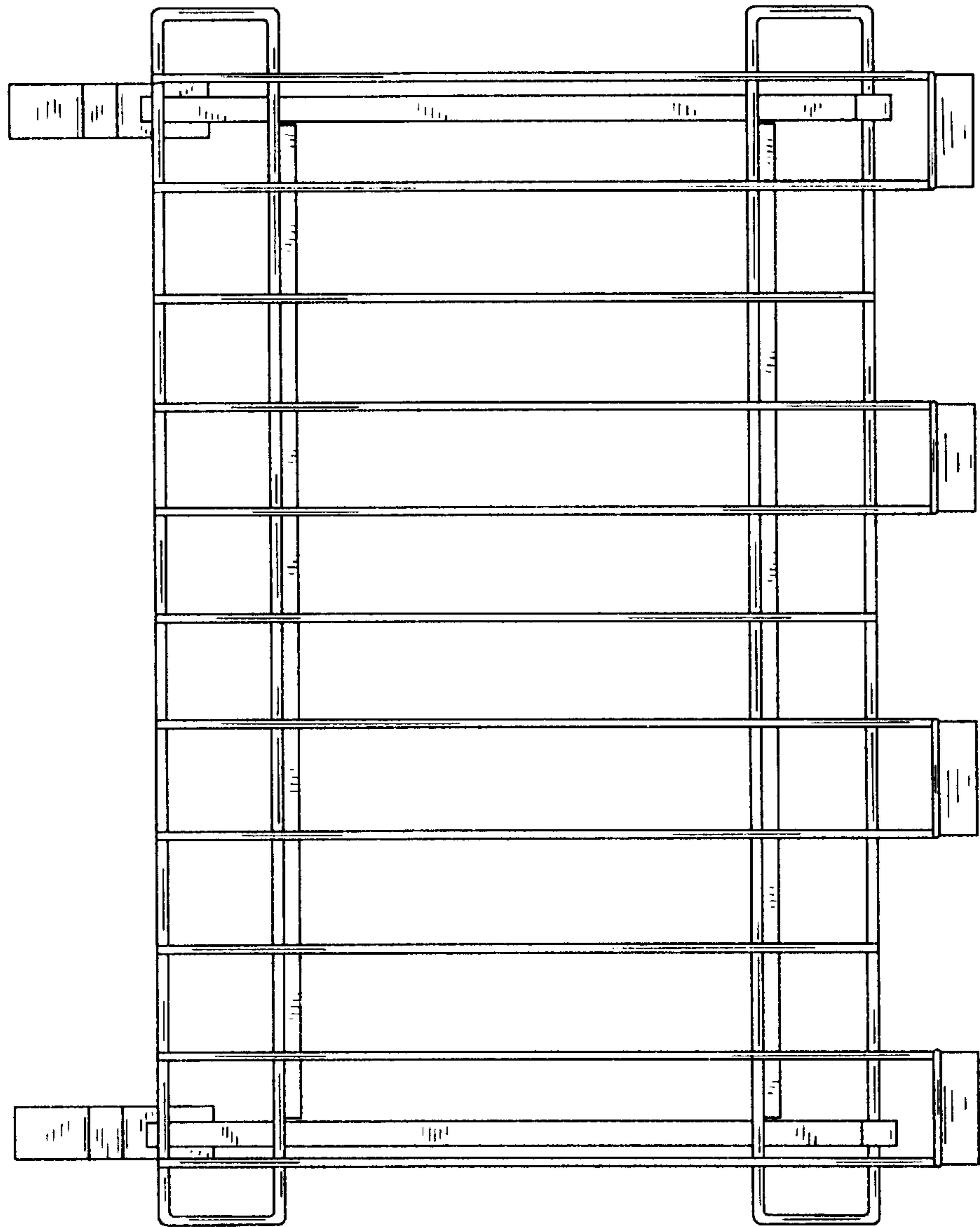


FIG. 12

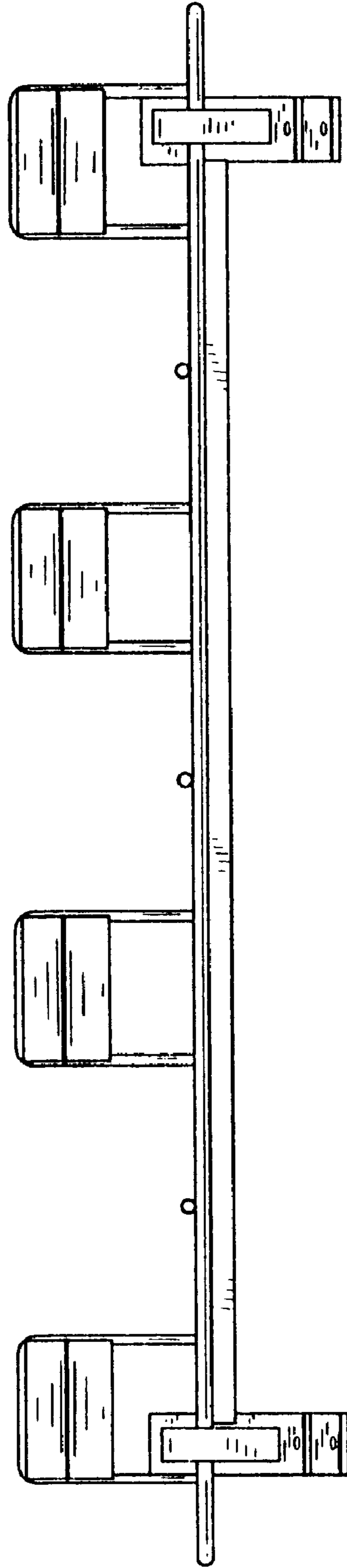


FIG. 13

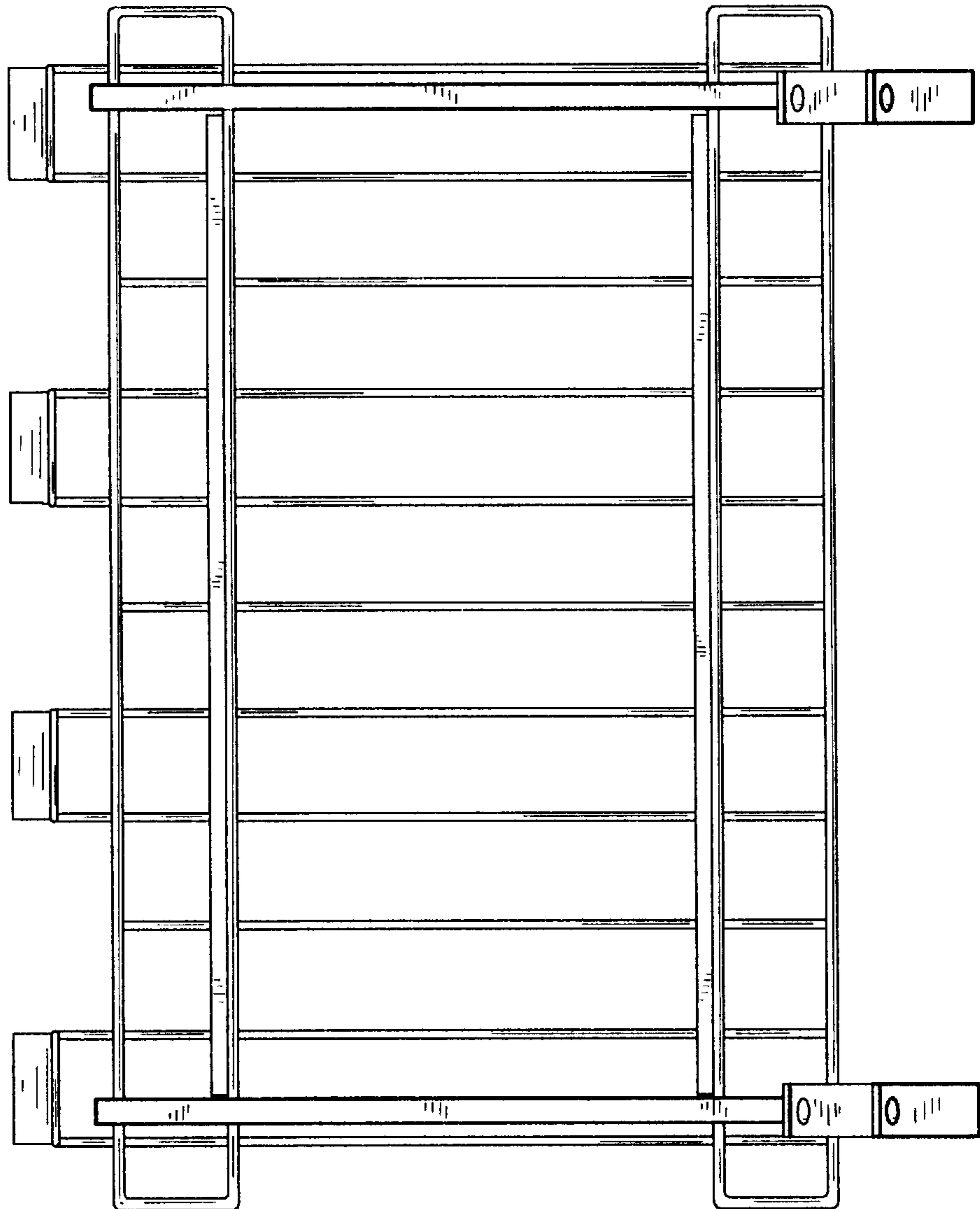


FIG. 14

