



US00D427819S

United States Patent [19]

[11] **Patent Number: Des. 427,819**

Noll

[45] **Date of Patent: ** Jul. 11, 2000**

[54] **END SURFACE OF A SET OF SLATS FOR A GLIDER**

[76] Inventor: **Ronald C. Noll**, 25 Fairway Trail, Moreland Hills, Ohio 44022

[**] Term: **14 Years**

[21] Appl. No.: **29/107,134**

[22] Filed: **Jun. 28, 1999**

[51] **LOC (7) Cl. 06-06**

[52] **U.S. Cl. D6/500**

[58] **Field of Search** D6/334, 335, 336, D6/344, 346, 347, 370, 374, 375, 379, 381, 500, 501, 502; 297/273, 281, 282, 452.63

- D. 319,354 8/1991 Wolcott .
- D. 320,706 10/1991 McNerny .
- D. 325,823 5/1992 Pomeroy et al. D6/335
- 369,829 9/1887 Winkler 297/452.63
- D. 382,721 8/1997 Jacobi .
- D. 400,720 11/1998 Pomeroy et al. D6/344
- D. 406,948 3/1999 Noll D6/344
- 790,242 5/1905 Yeager 297/281

Primary Examiner—Doris V. Coles
Assistant Examiner—Mimosa De
Attorney, Agent, or Firm—Pearne & Gordon LLP

[57] CLAIM

The ornamental design for an end surface of a set of slats for a glider, as shown and described.

DESCRIPTION

FIG. 1 is a perspective view of an end surface of a set of slats for a glider, showing my new design, the broken lines are for environmental purposes only and form no part of the claimed design.

FIG. 2 is a side elevational view thereof; and, FIG. 3 is a side elevational view thereof, similar to FIG. 2 but enlarged.

[56] References Cited

U.S. PATENT DOCUMENTS

- D. 48,329 12/1915 Severt .
- D. 121,461 7/1940 Tabb 297/281
- 192,850 7/1877 Tostevin 297/452.63
- D. 270,500 9/1983 Harper, Jr. et al. .
- D. 290,911 7/1987 Pomeroy et al. D6/370
- D. 314,677 2/1991 Hanna .

1 Claim, 2 Drawing Sheets

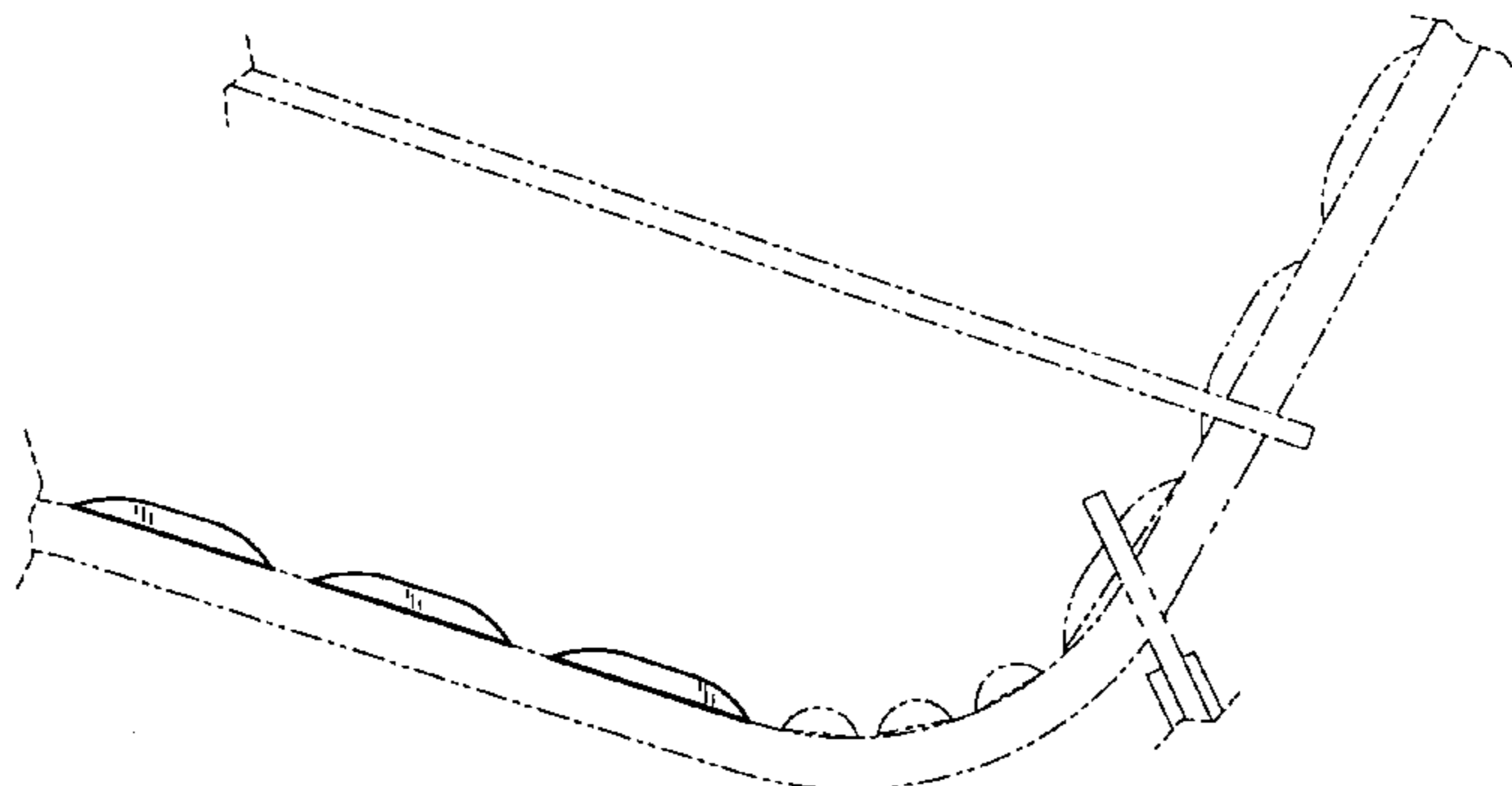
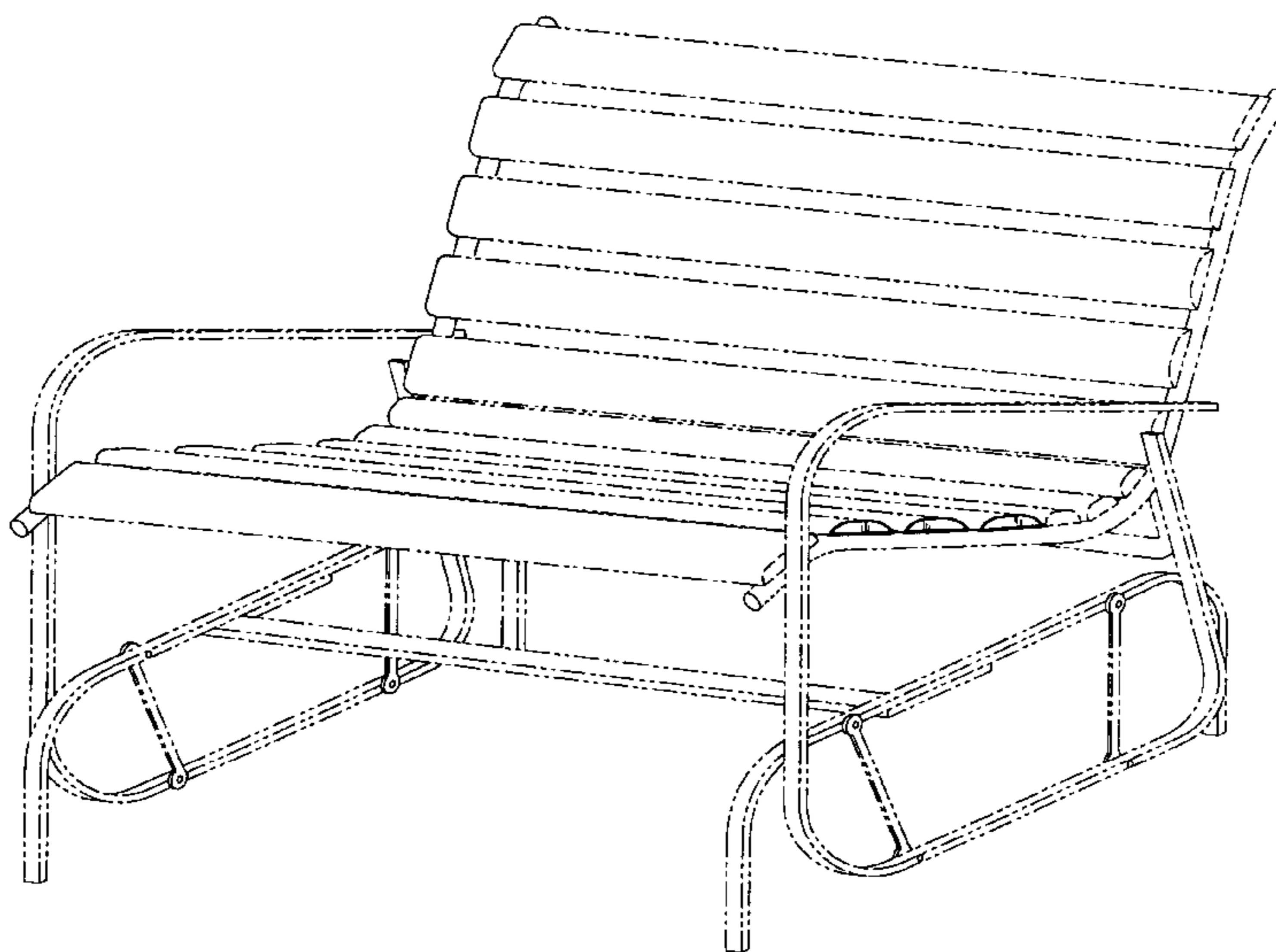


Fig. 1

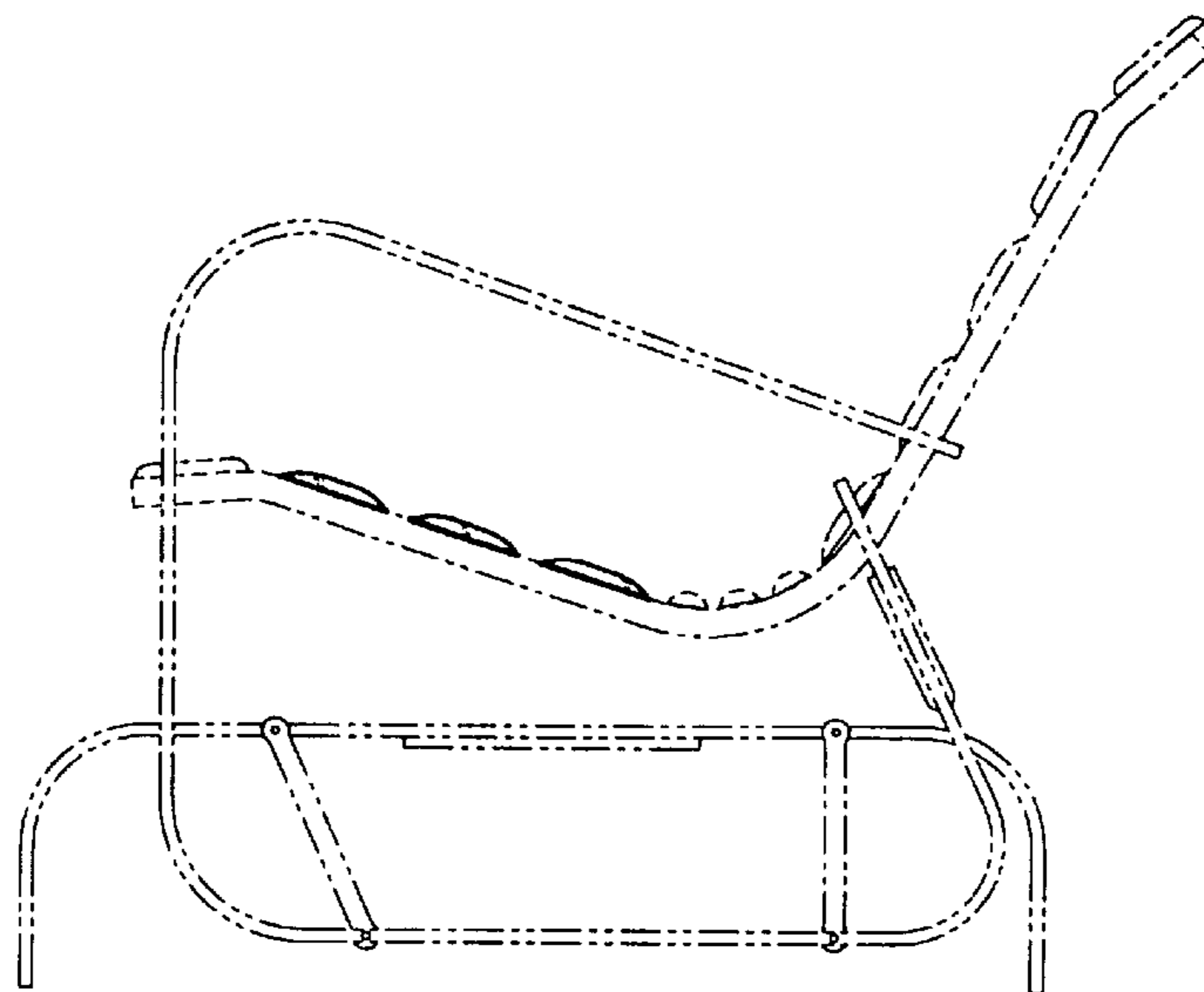
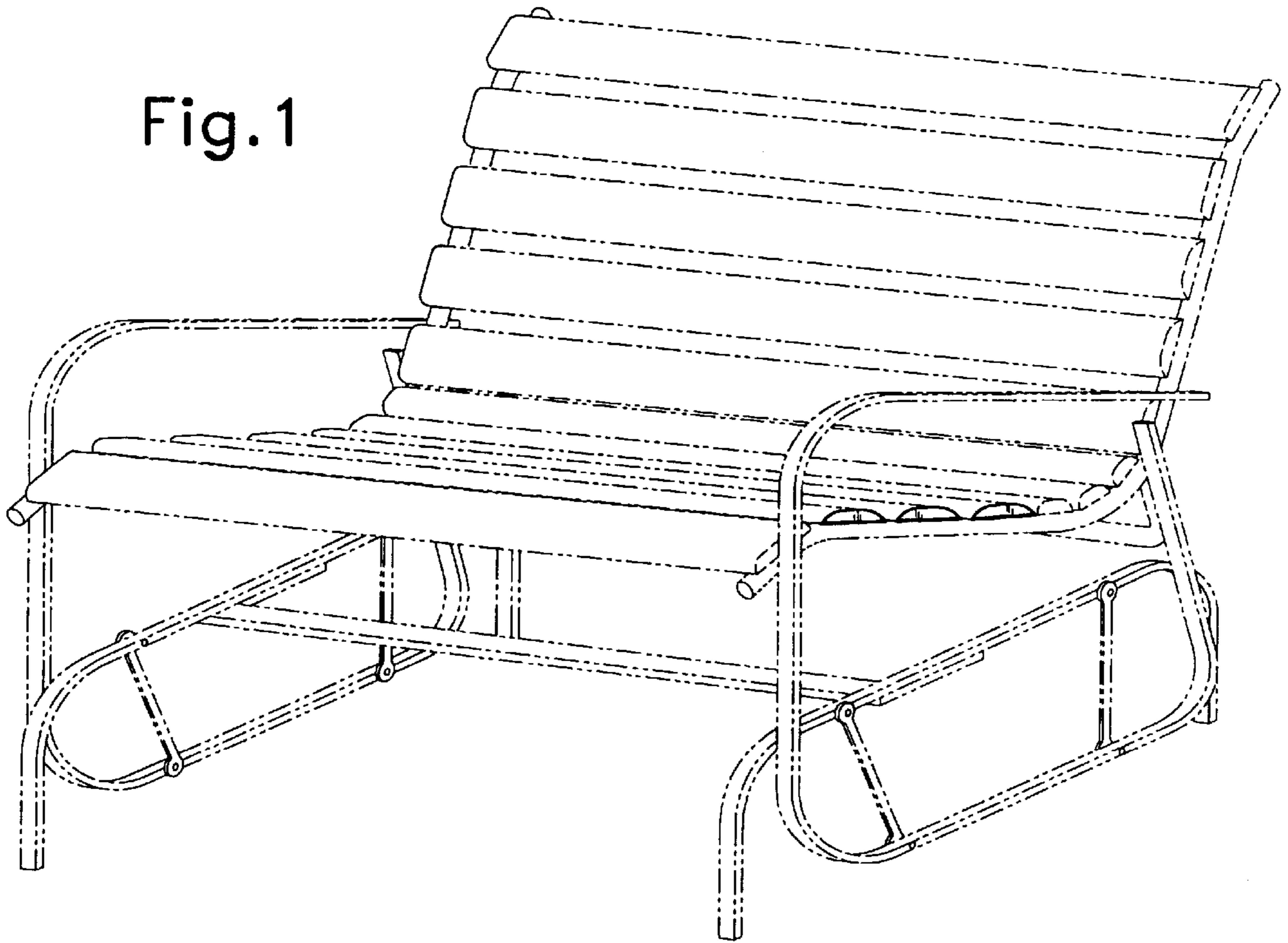


Fig. 2

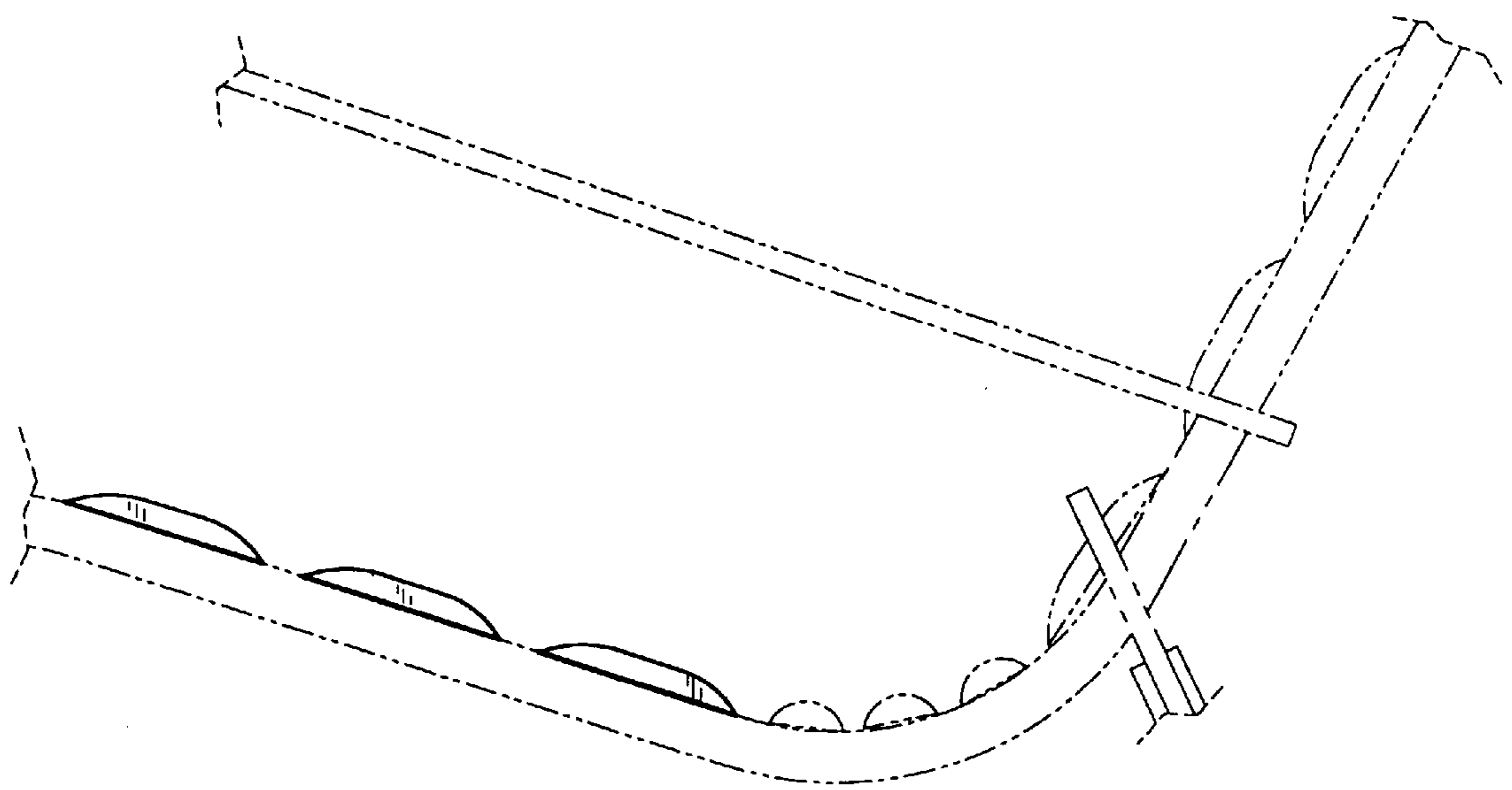


Fig.3