



US00D427815S

United States Patent [19]
Lewis

[11] **Patent Number: Des. 427,815**

[45] **Date of Patent: ** Jul. 11, 2000**

[54] **CONSOLE**

[76] Inventor: **Sally Sirkin Lewis**, 715 N. Canon Dr.,
Beverly Hills, Calif. 90210

[**] Term: **14 Years**

[21] Appl. No.: **29/088,826**

[22] Filed: **Jun. 1, 1998**

[51] **LOC (7) Cl.** **06-03**

[52] **U.S. Cl.** **D6/485; D6/484; D6/349**

[58] **Field of Search** D6/480-484, 495,
D6/349, 355; 108/153.1, 156, 161, 157.14;
248/188, 188.1, 174

[56] **References Cited**

U.S. PATENT DOCUMENTS

D. 233,293 10/1974 Rosen D6/484
2,763,522 9/1956 Berman D6/480

OTHER PUBLICATIONS

AKKO, Feb. 1, 1991, p. 7, # 1245 Gull table in center.
D.I.A., c1983, Allusion console.

Primary Examiner—Janice E. Seeger

Attorney, Agent, or Firm—Finnegan, Henderson, Farabow,
Garrett & Dunner, L.L.P.

[57] **CLAIM**

The ornamental design for a console, as shown and
described.

DESCRIPTION

FIG. 1 is a top, front and side perspective view of the
console;

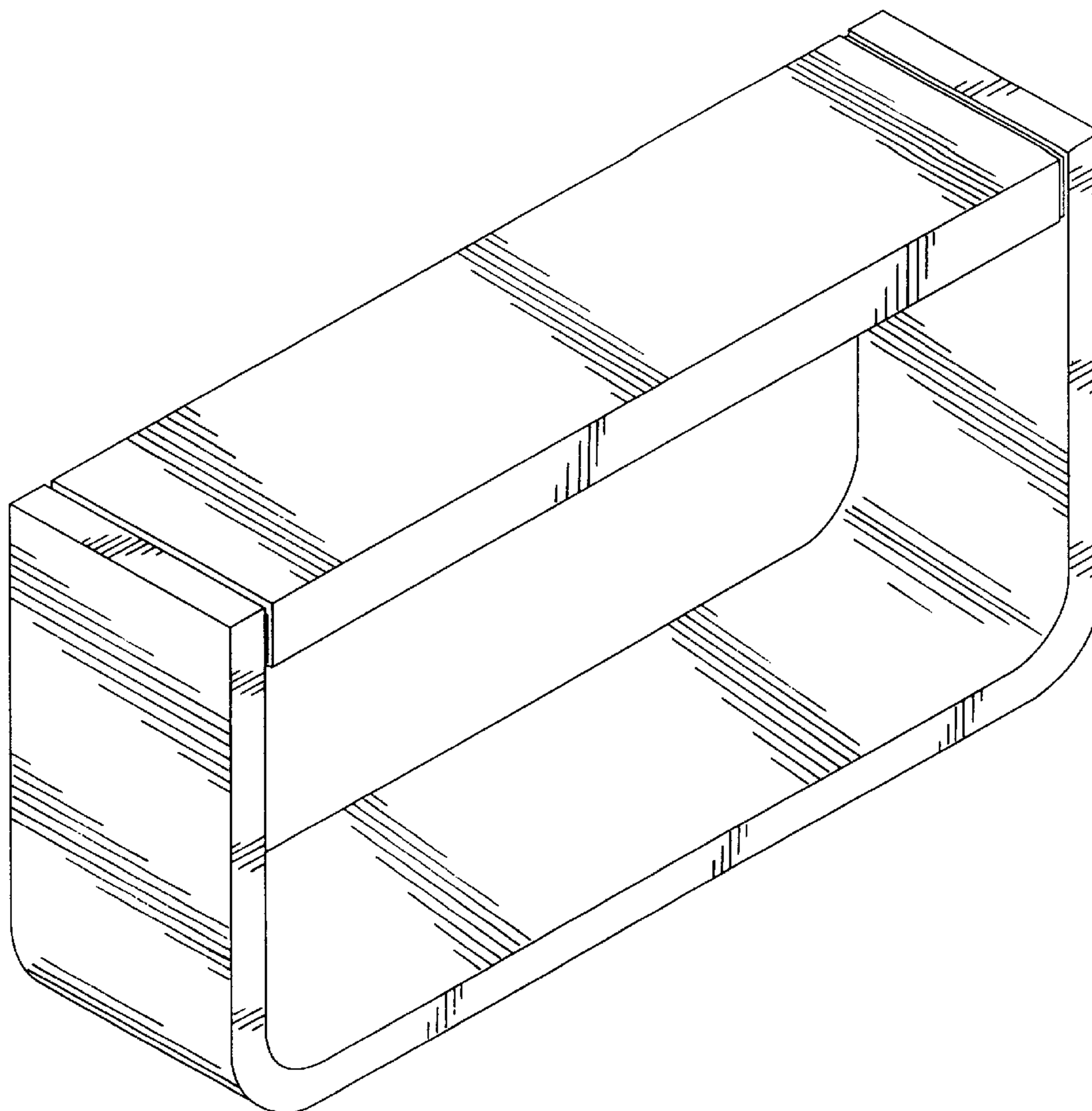
FIG. 2 is a rear elevational view of the console with the front
being a mirror image;

FIG. 3 is a top plan view of the console;

FIG. 4 is a bottom plan of the console; and,

FIG. 5 is a right side elevational view of the console with the
left side being a mirror image.

1 Claim, 2 Drawing Sheets



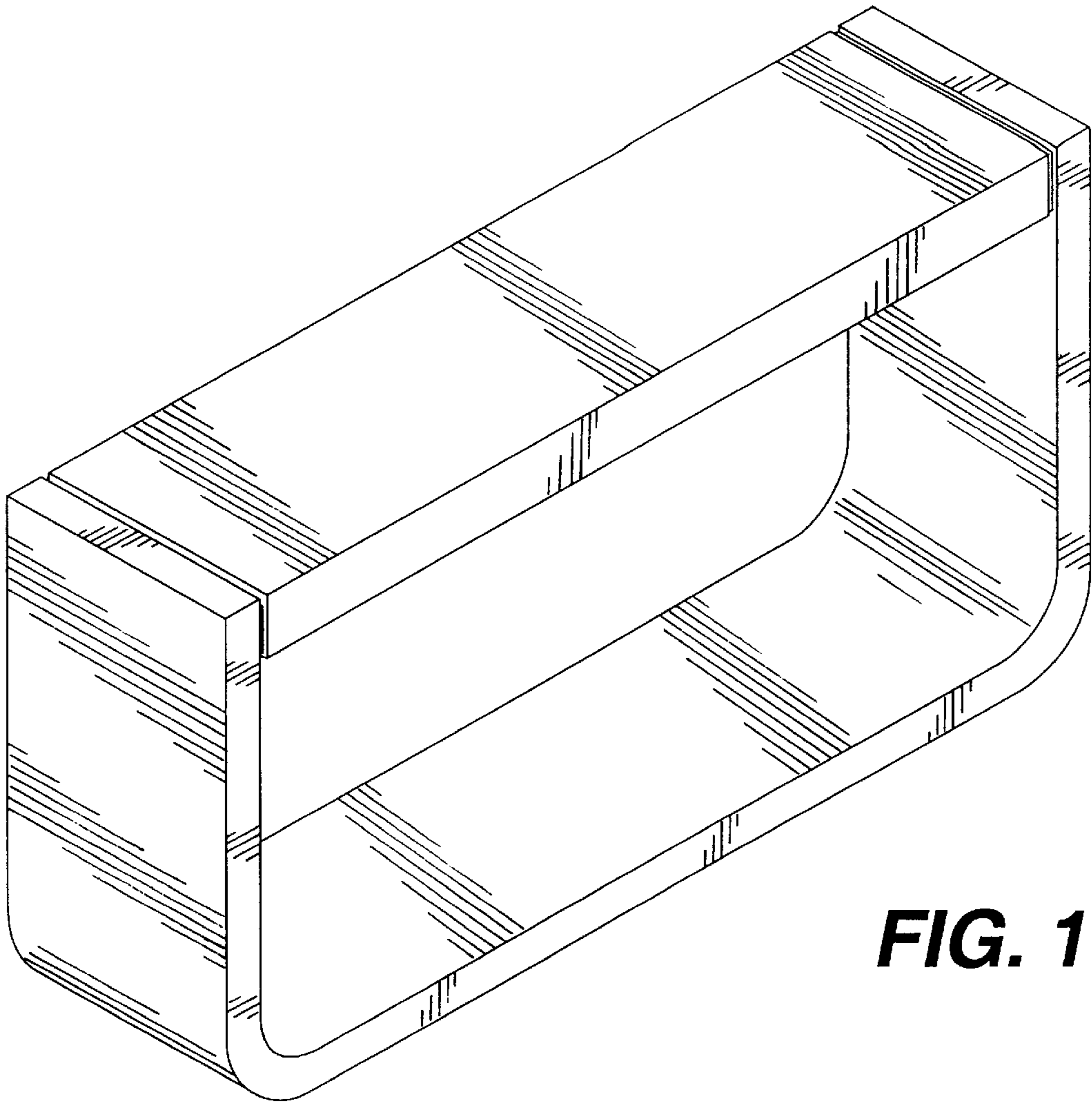


FIG. 1

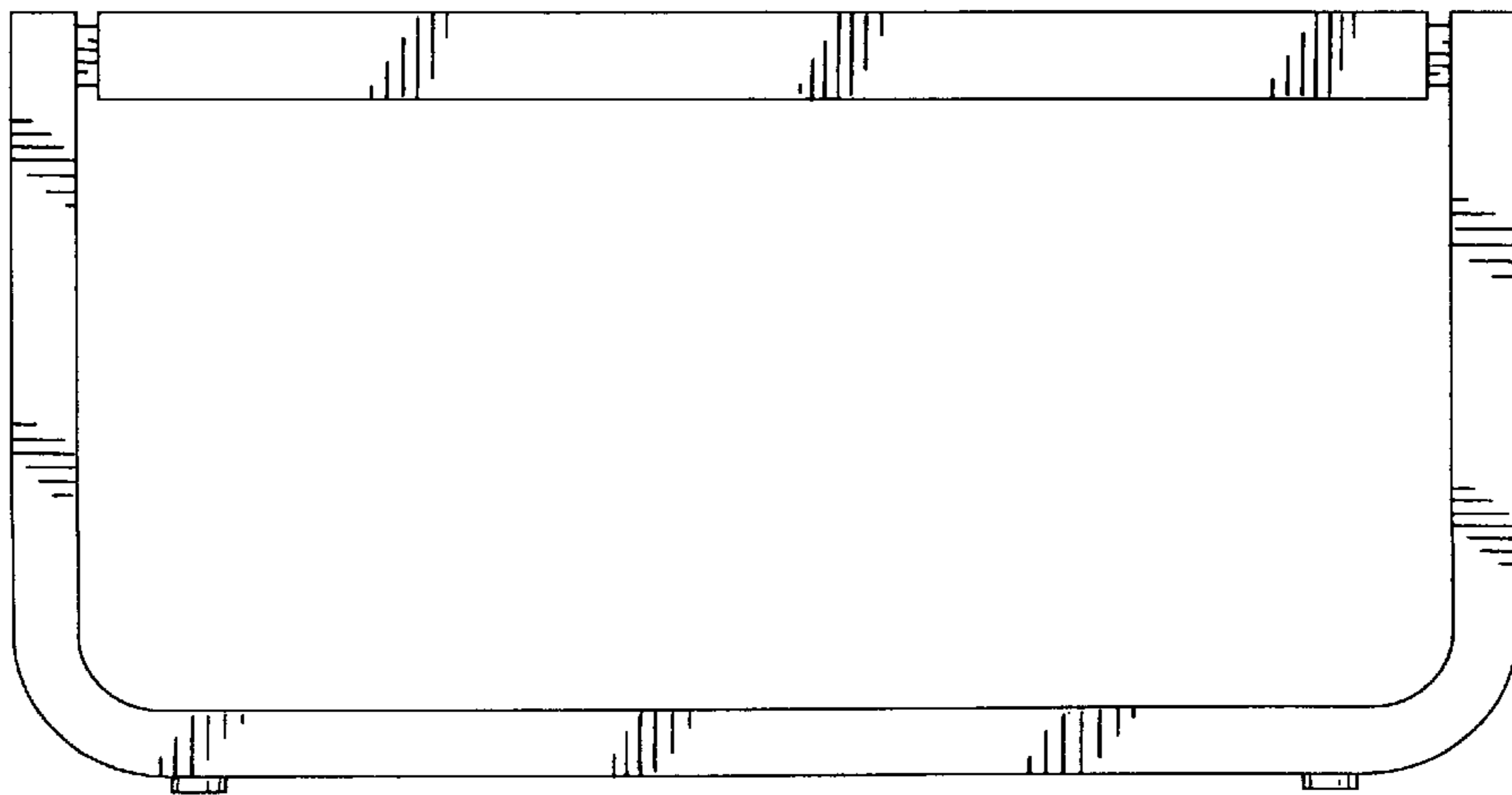


FIG. 2

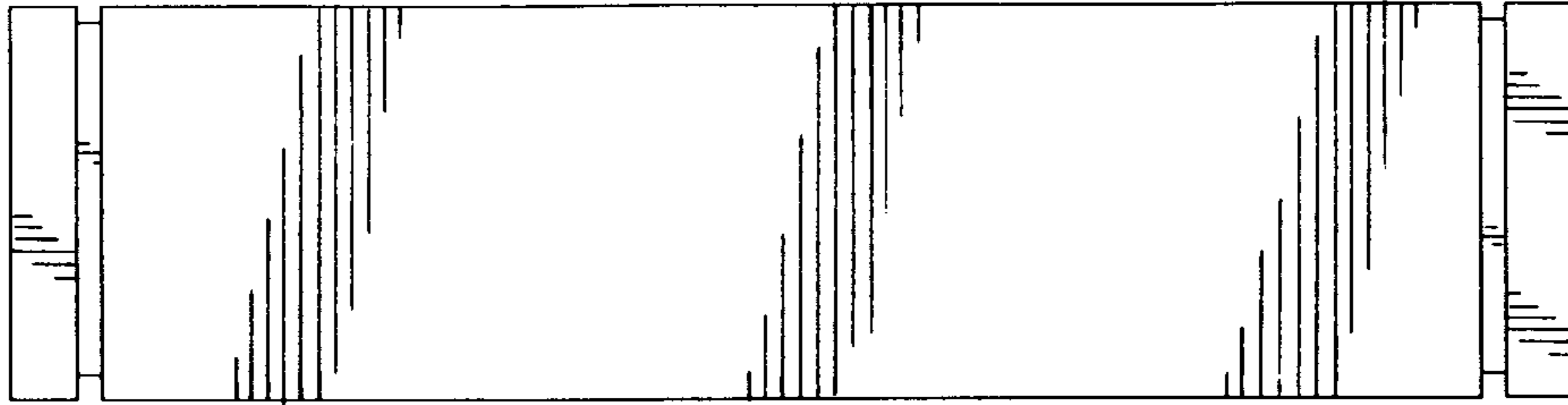


FIG. 3

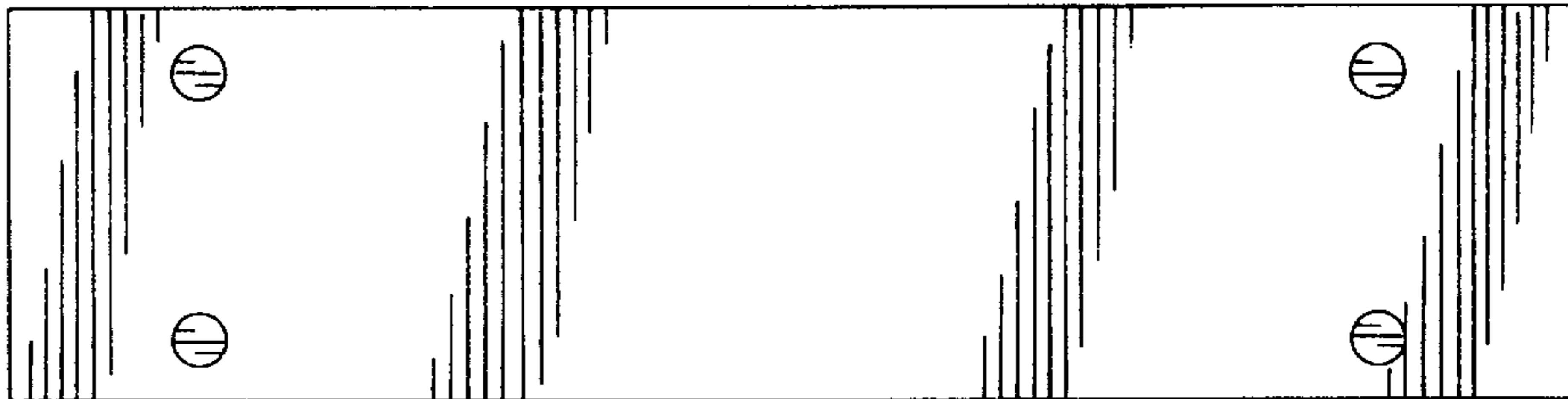


FIG. 4

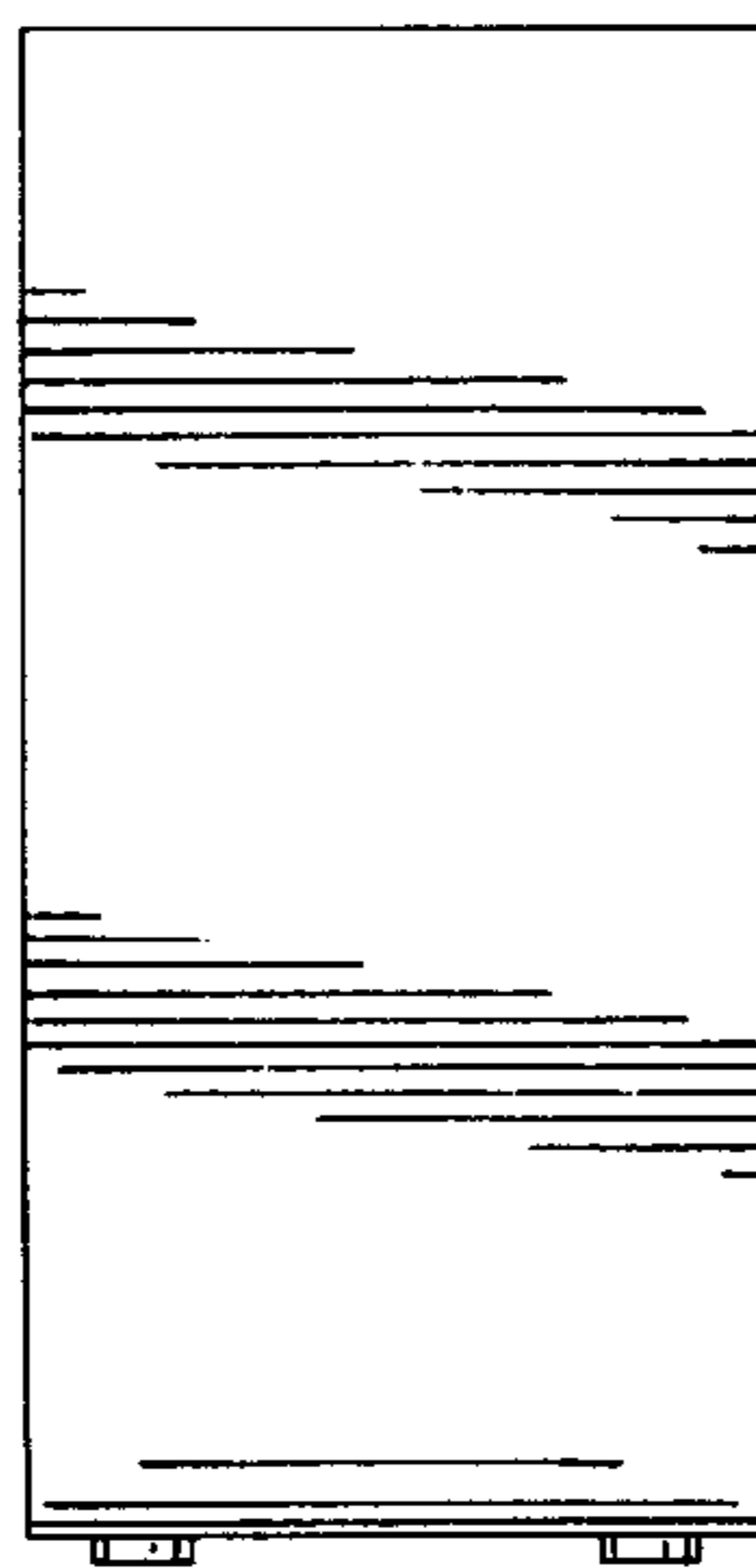


FIG. 5