



US00D427812S

United States Patent [19]
Donnelly

[11] **Patent Number: Des. 427,812**
[45] **Date of Patent: ** Jul. 11, 2000**

[54] **TABLE**

D. 366,772 2/1996 Pasin D6/363
D. 396,565 8/1998 Gager et al. D6/349

[75] Inventor: **Brian F. Donnelly**, Davis, Calif.

[73] Assignee: **Lifespan Furnishings, LLC**, San Francisco, Calif.

[**] Term: **14 Years**

Primary Examiner—Janice E. Seeger
Attorney, Agent, or Firm—Burns Doane Swecker and Mathis, LLP

[21] Appl. No.: **29/101,457**

[22] Filed: **Mar. 1, 1999**

[51] **LOC (7) Cl.** **06-03**

[52] **U.S. Cl.** **D6/480; D6/349; D6/436**

[58] **Field of Search** D6/480–489, 495, D6/496, 499, 511, 436, 477–479, 432; 108/153.1, 155, 156, 161, 50.11, 38, 25, 26; 248/188, 188.1, 188.8; 297/188.08, 188.1, 188.11

[57] **CLAIM**

The ornamental design for a table, as shown and described.

DESCRIPTION

FIG. 1 is a perspective view of the table according to the present invention;
FIG. 2 is a front view thereof;
FIG. 3 is a back view thereof;
FIG. 4 is a right side view thereof;
FIG. 5 is a left side view thereof; and,
FIG. 6 is a top view thereof.

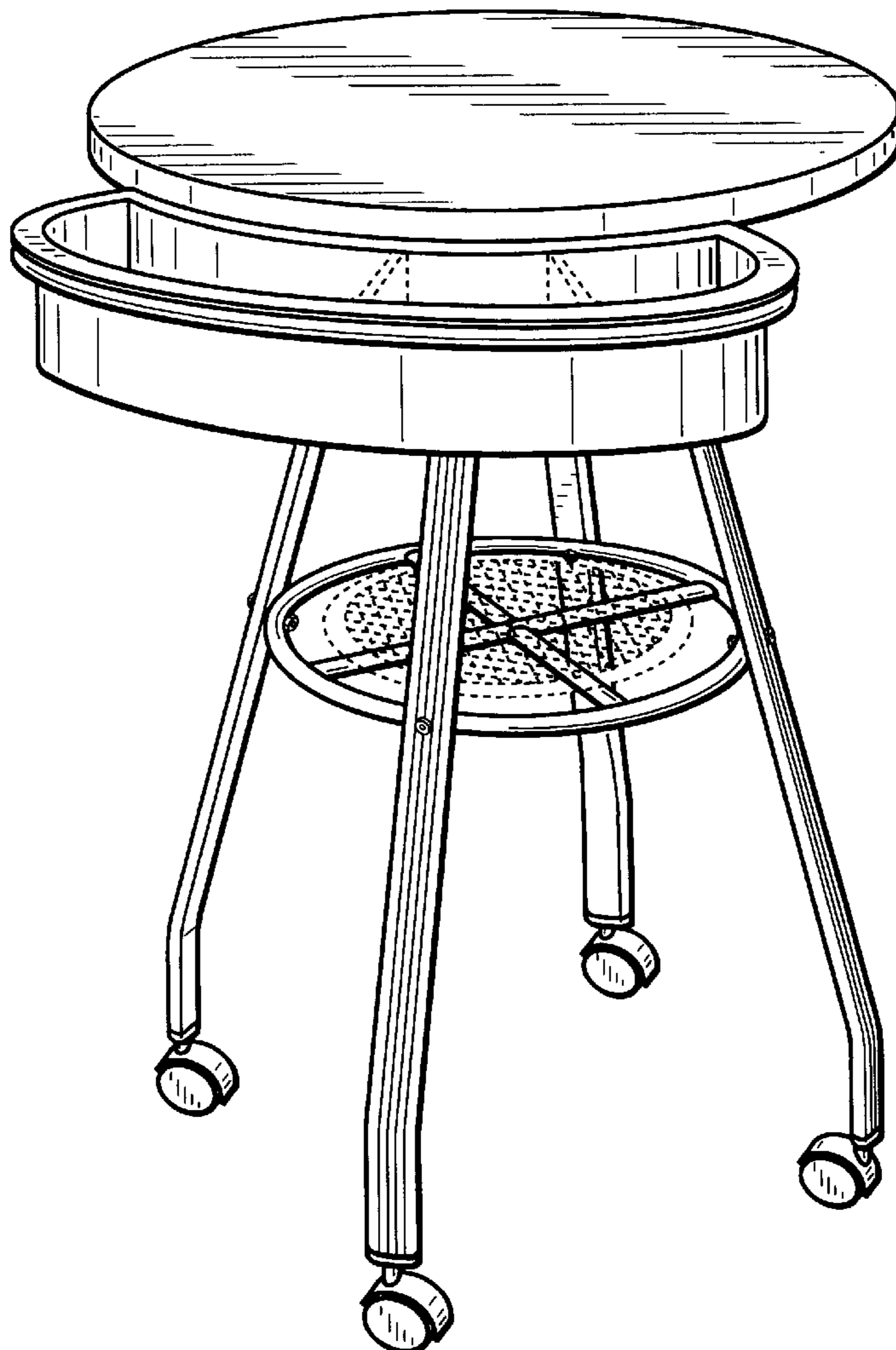
The wire mesh tray located below the tabletop and the two dividers in the tray positioned beside the tabletop in broken lines are not a part of the claimed design.

[56] **References Cited**

U.S. PATENT DOCUMENTS

D. 337,461 7/1993 Martin D6/484

1 Claim, 3 Drawing Sheets



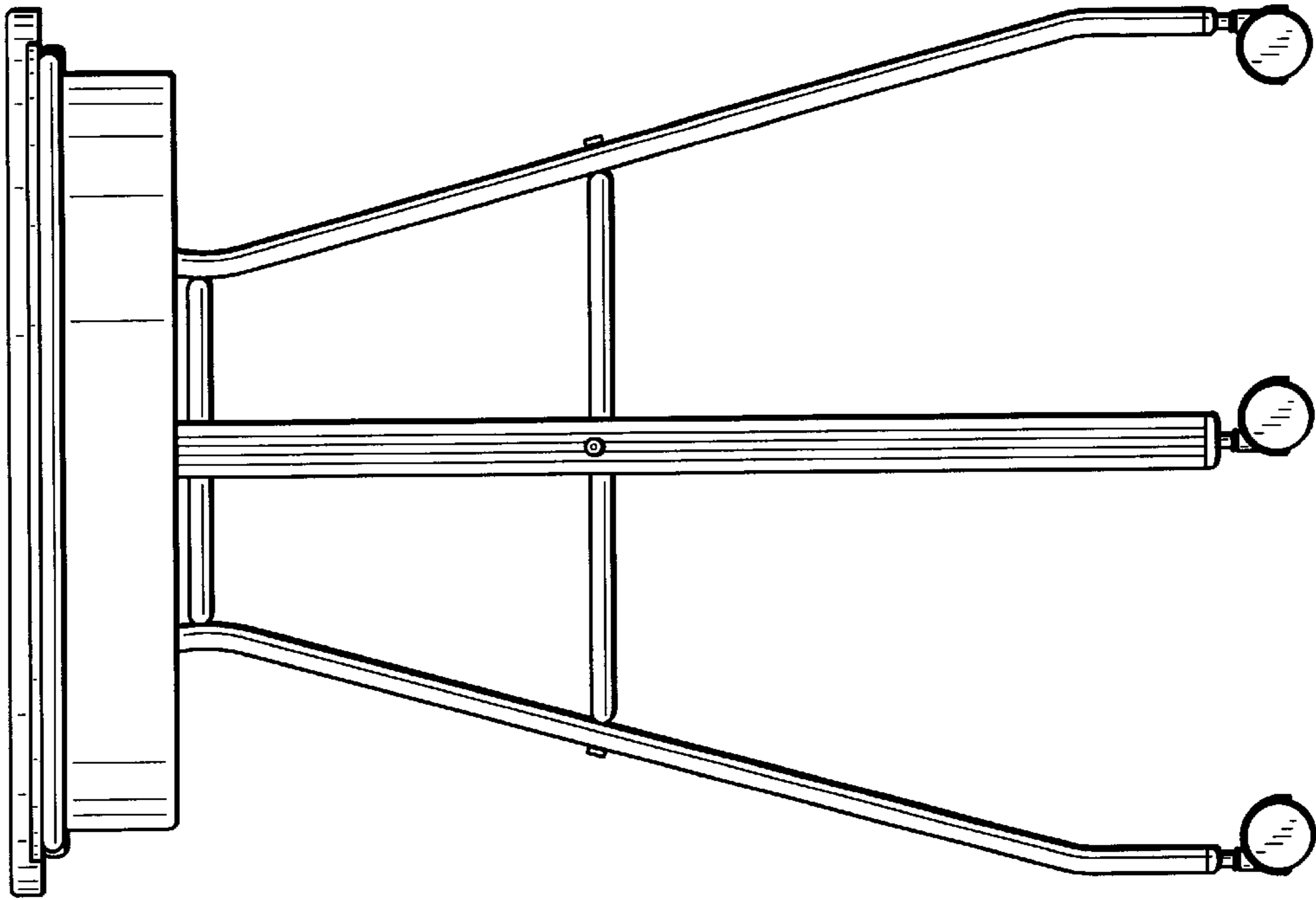


FIG.--2

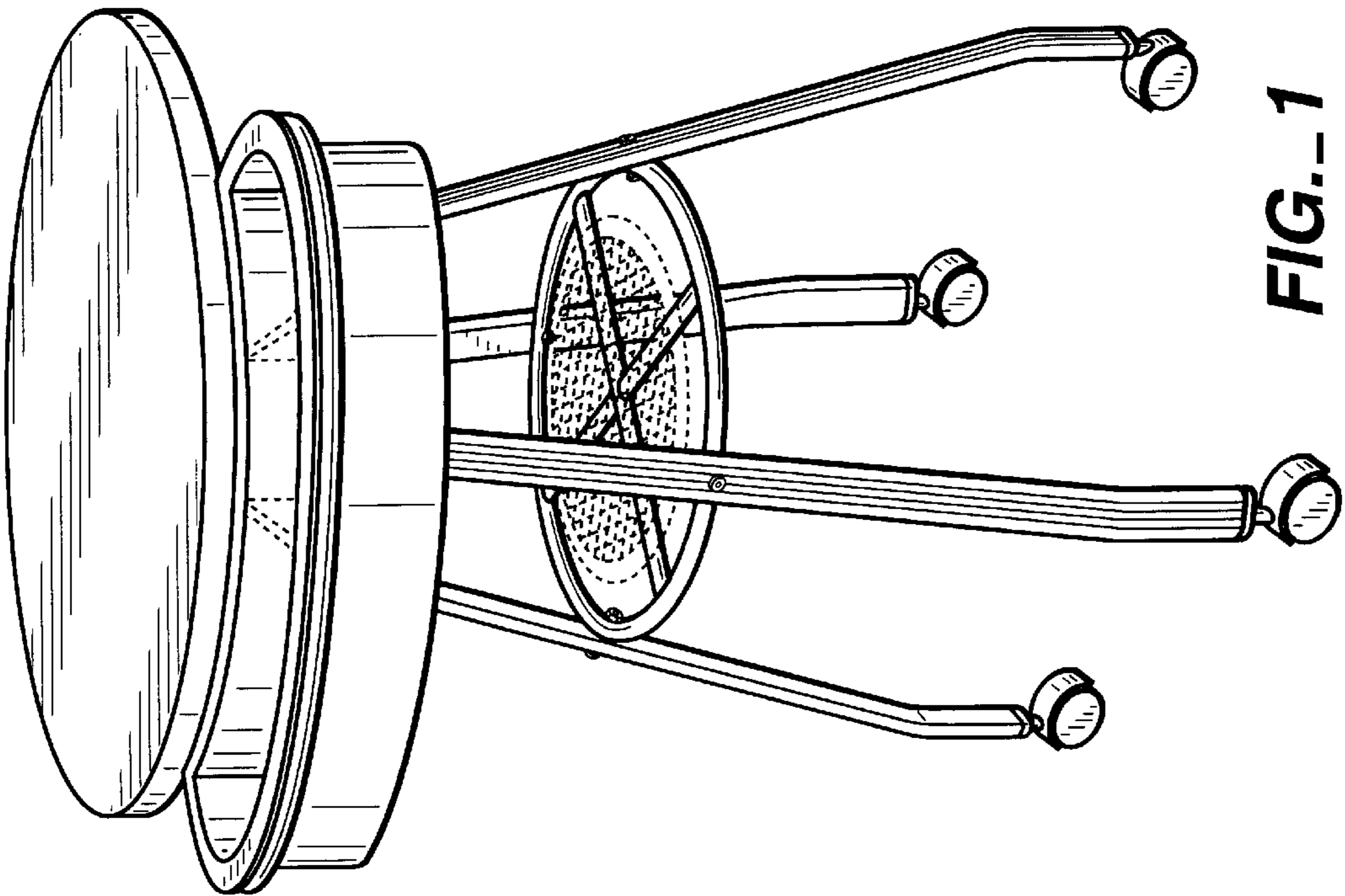


FIG.--1

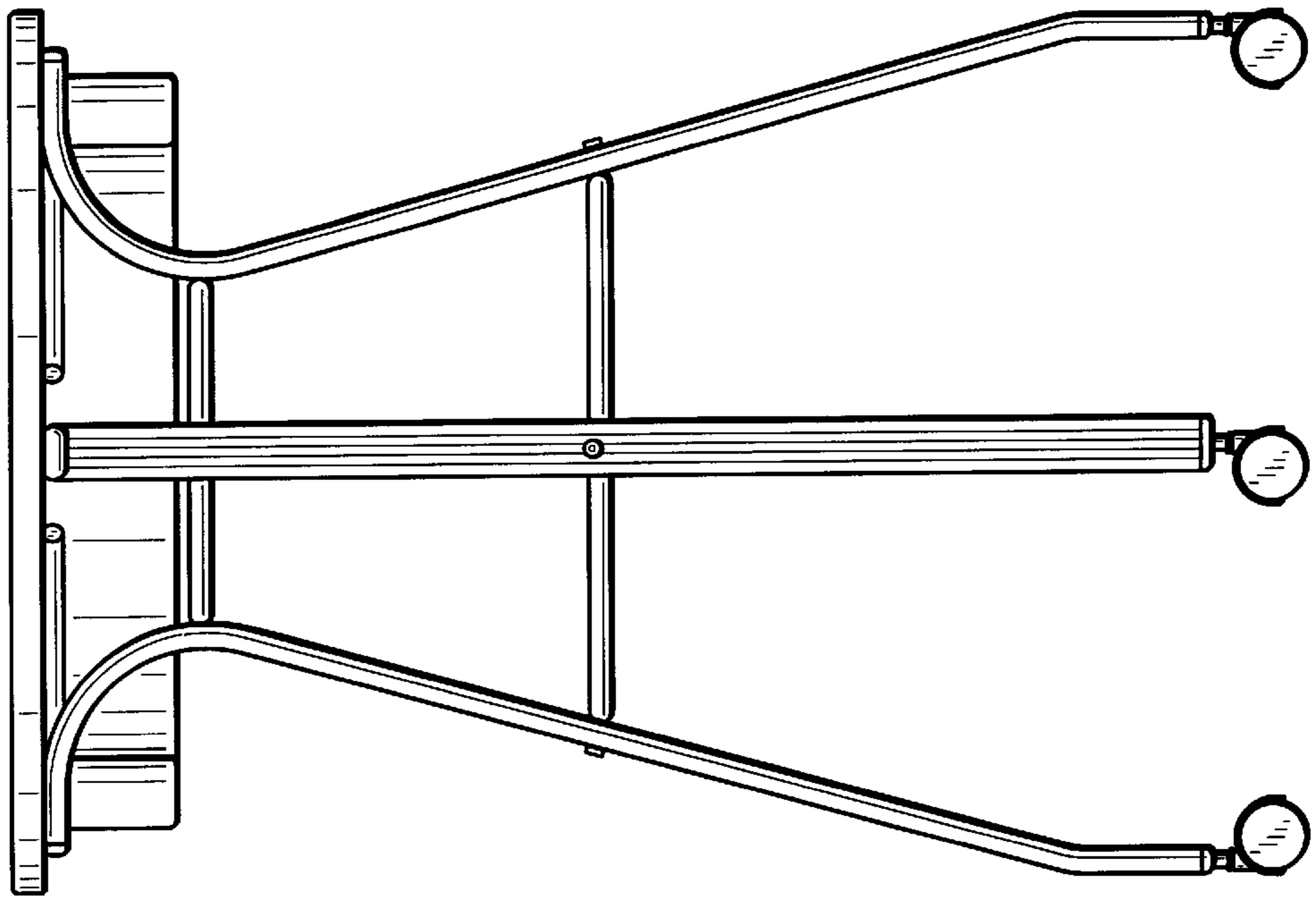


FIG. 3

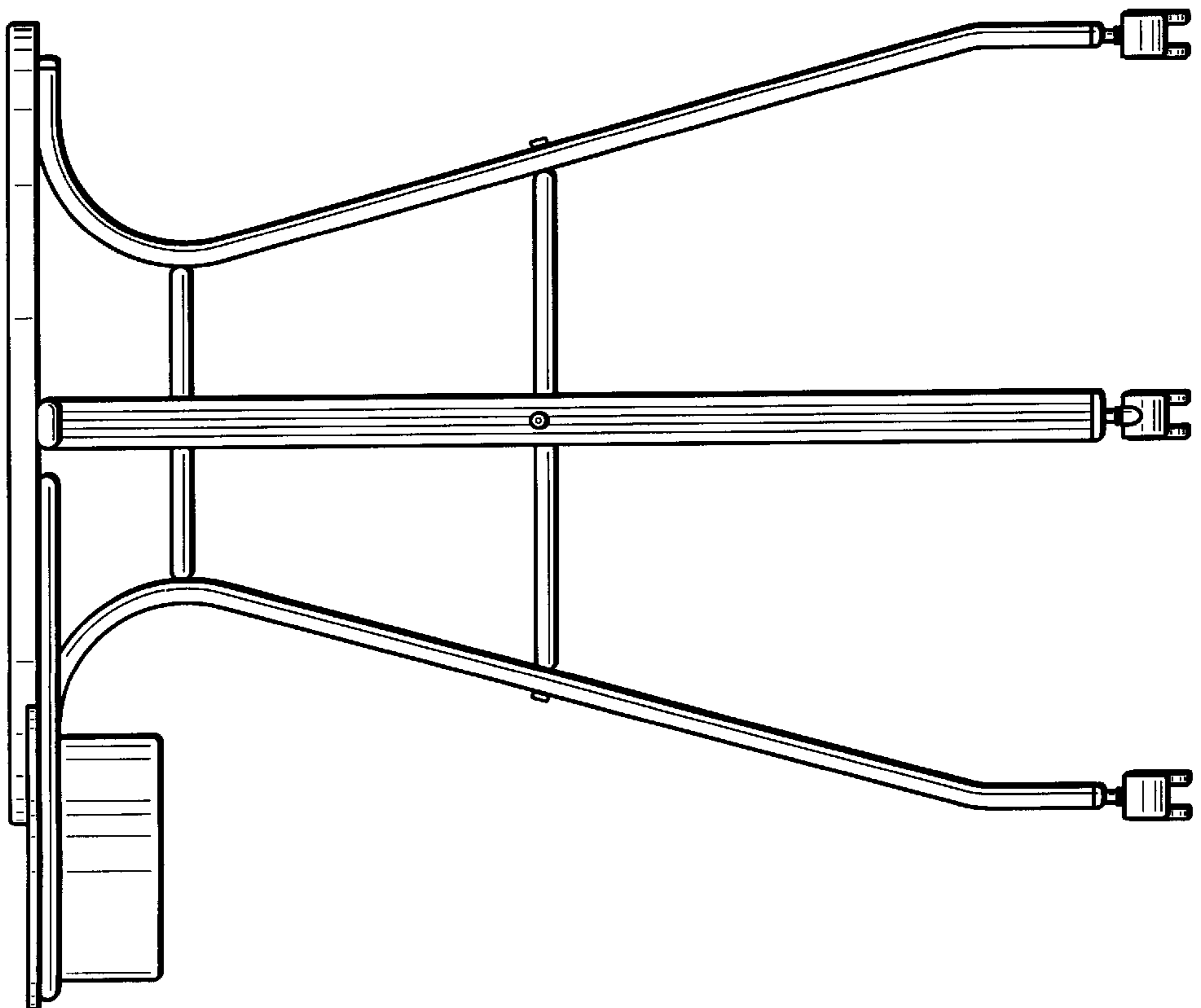


FIG. 4

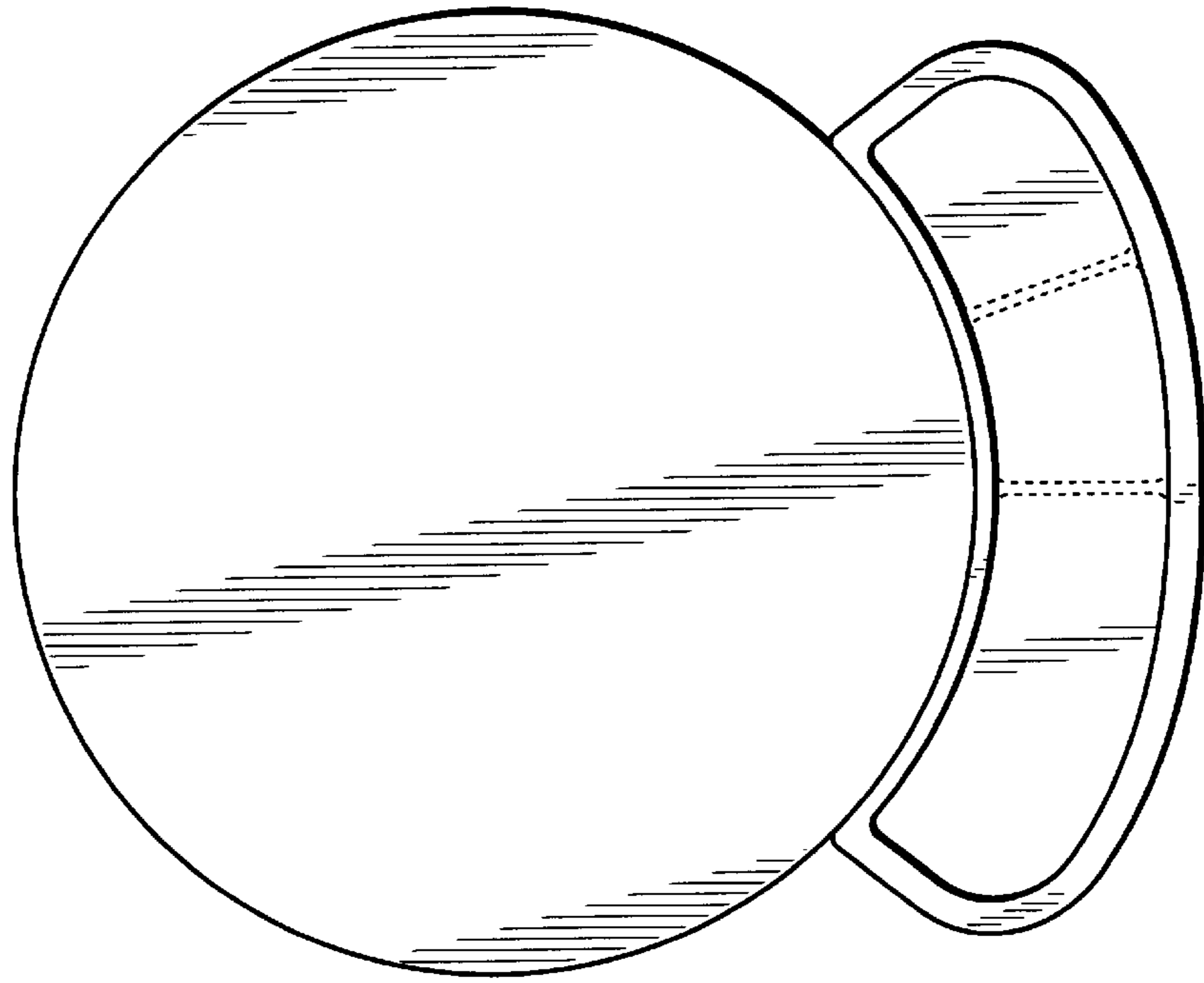


FIG.-6

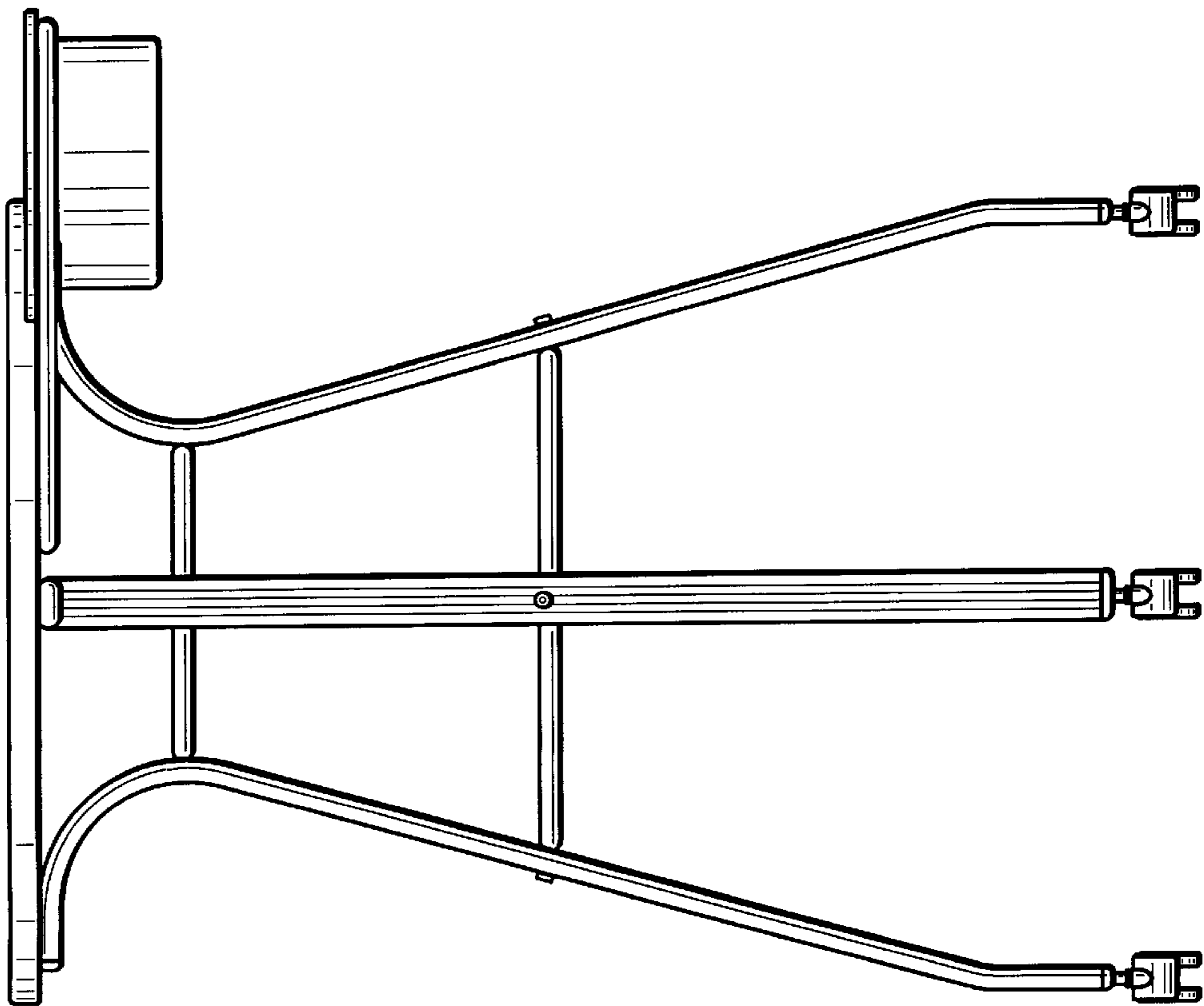


FIG.-5