



US00D427809S

# United States Patent [19]

Osborn et al.

[11] Patent Number: **Des. 427,809**

[45] Date of Patent: **\*\* Jul. 11, 2000**

[54] **DISPLAY CASE**

[75] Inventors: **Stephen A. Osborn**, Moreland Hills, Ohio; **Rex M. Baker, III**, Northport, N.Y.

[73] Assignee: **Trilogy Plastics, Inc.**, Louisville, Ohio

[\*\*] Term: **14 Years**

[21] Appl. No.: **29/087,054**

[22] Filed: **Apr. 7, 1998**

[51] **LOC (7) Cl.** ..... **06-04**

[52] **U.S. Cl.** ..... **D6/472**

[58] **Field of Search** ..... D6/466-468, 470-476, D6/432, 436-440; 312/114, 116, 118, 126-129; 206/557-556, 769-774, 562, 565; D9/341, 424

[56] **References Cited**

**U.S. PATENT DOCUMENTS**

D. 47,664	8/1915	Garland	.....	D6/471
D. 116,804	9/1939	Pilliod	.....	D6/471
D. 117,278	10/1939	Kayton	.....	D6/473
D. 140,242	2/1945	Wemyss	.....	D6/466
D. 161,956	2/1951	Newberger	.....	D6/471
D. 165,797	1/1952	Shanahan	.....	D6/471
D. 244,656	6/1977	Lawson	.....	D6/471

*Primary Examiner*—Doris V. Coles  
*Assistant Examiner*—Linda Brooks  
*Attorney, Agent, or Firm*—Fay, Sharpe, Fagan, Minnich & McKee, LLP

[57] **CLAIM**

The ornamental design for a display case, as shown and described.

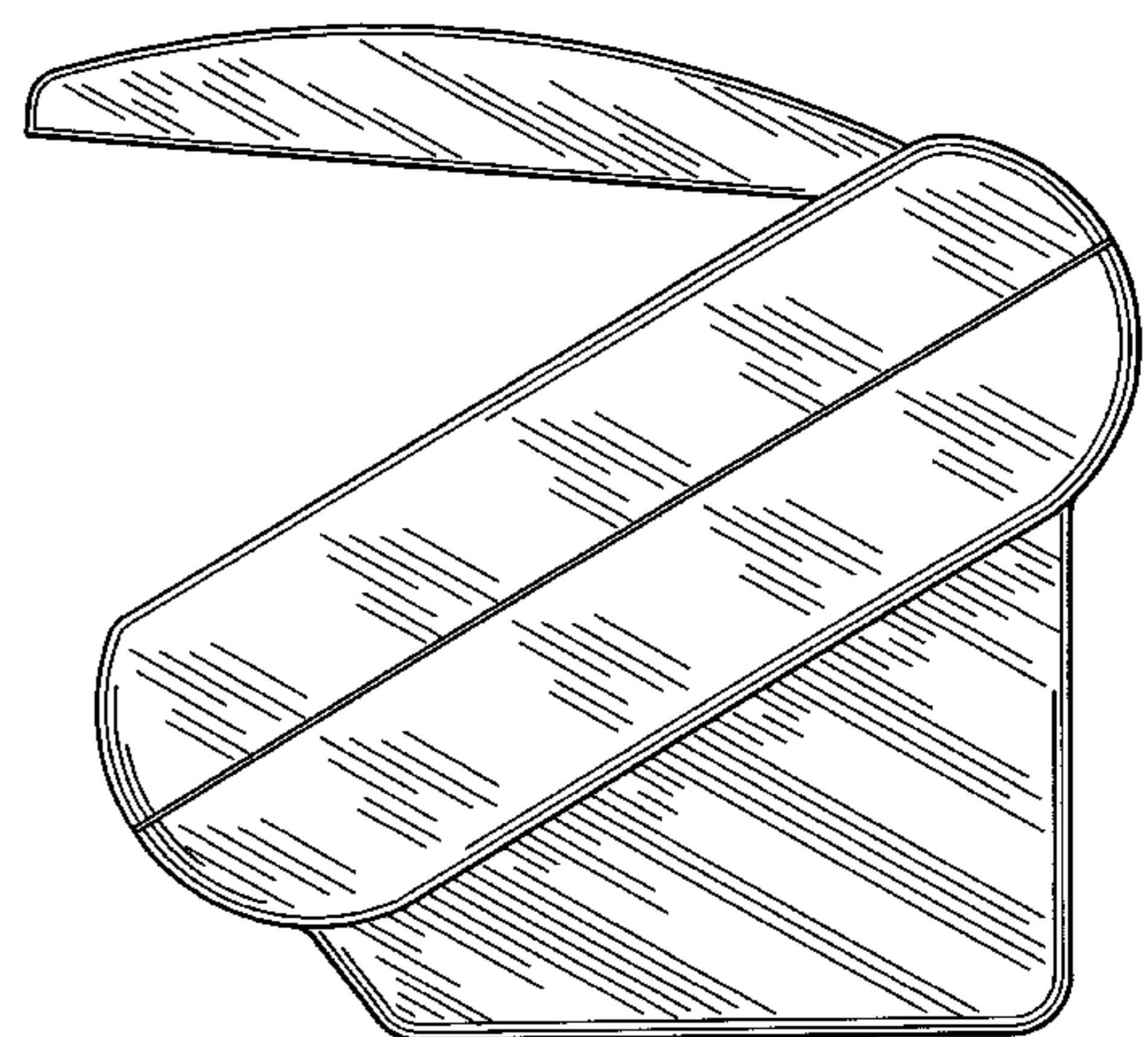
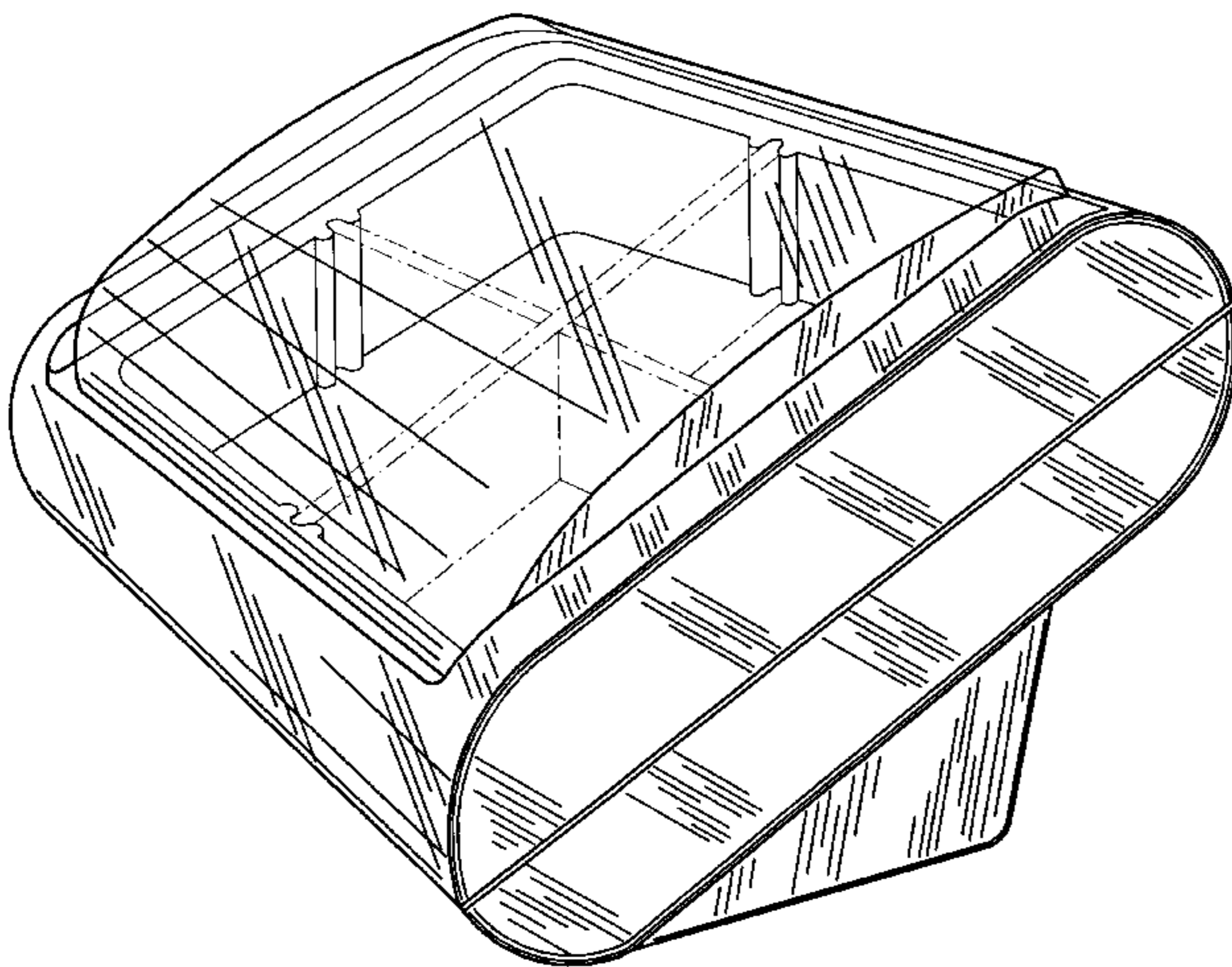
**DESCRIPTION**

FIG. 1 is a perspective view of a display case, showing our new design;  
FIG. 2 is a front elevational view thereof;  
FIG. 3 is a top plan view thereof;  
FIG. 4 is a back elevational view thereof;  
FIG. 5 is a side elevational view thereof, the opposite side being a mirror image;  
FIG. 6 is a bottom plan view thereof; and,  
FIG. 7 is another side elevational view thereof, with the top in the open position, the opposite side being a mirror image thereof.

The broken line features are for illustrative purposes only and form no part of the claimed design.

The pattern of circles which is partially shown on the base member in FIGS. 2, 4 and 6 is understood to repeat uniformly across the entire surface thereof.

**1 Claim, 7 Drawing Sheets**



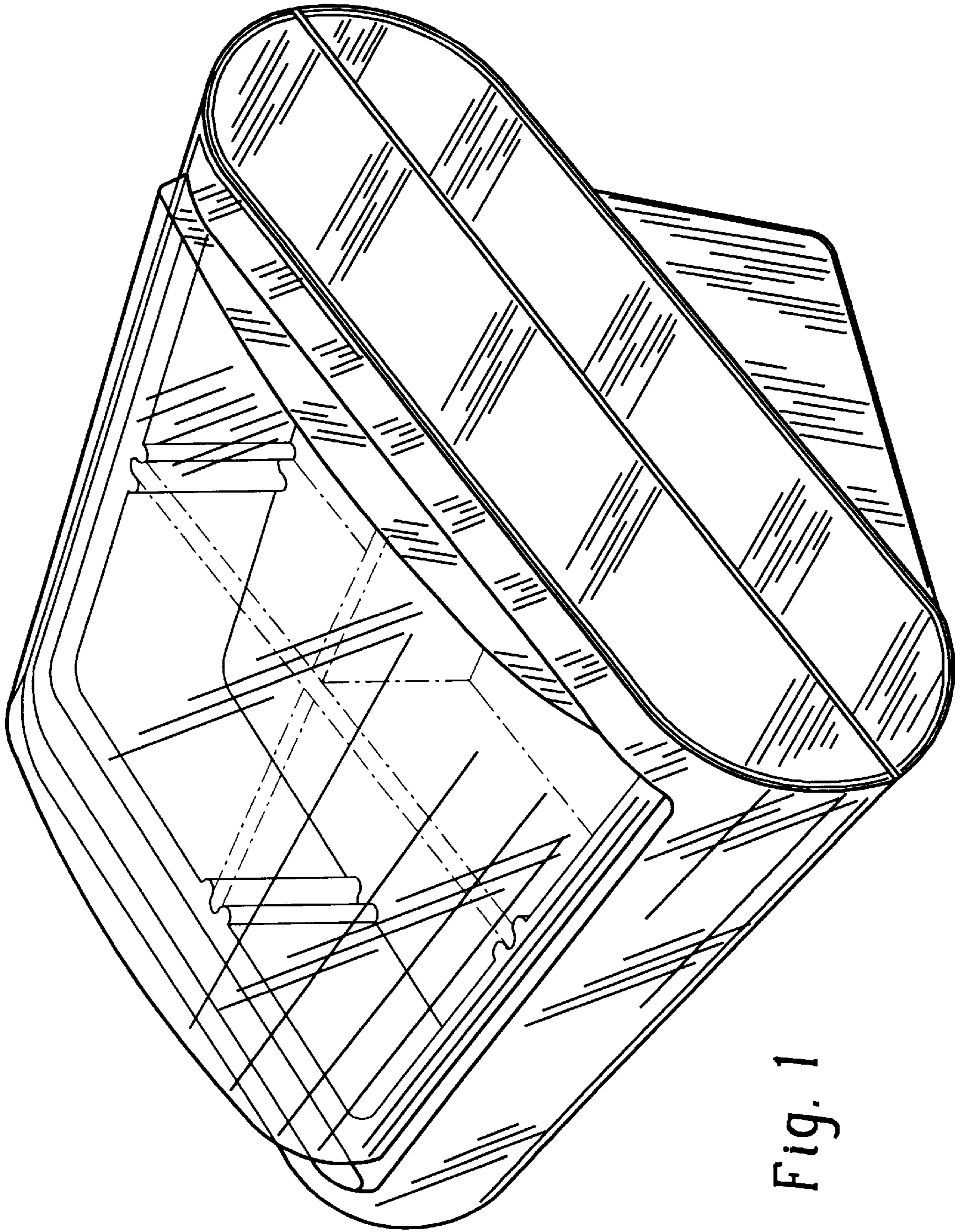


Fig. 1



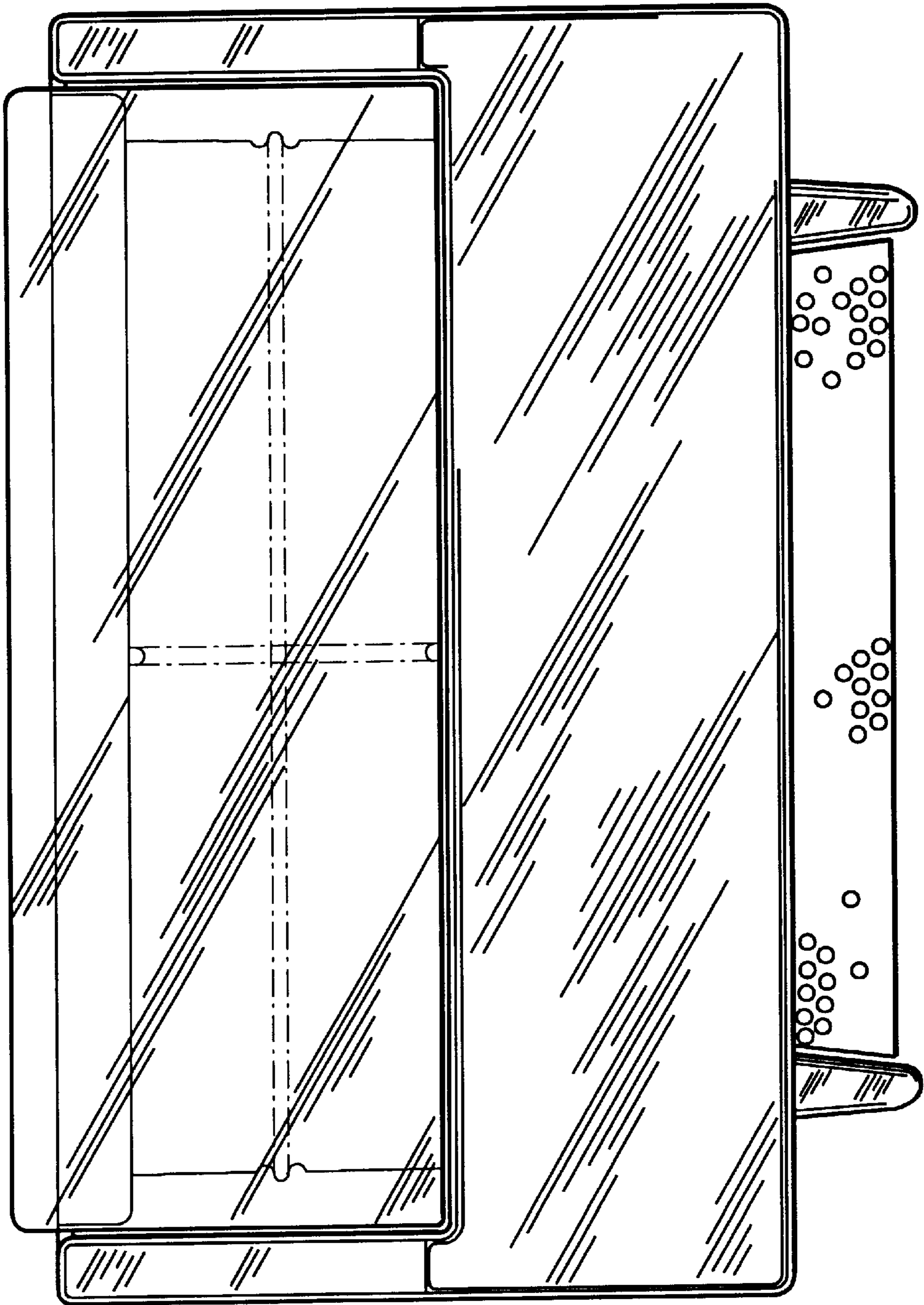


Fig. 2

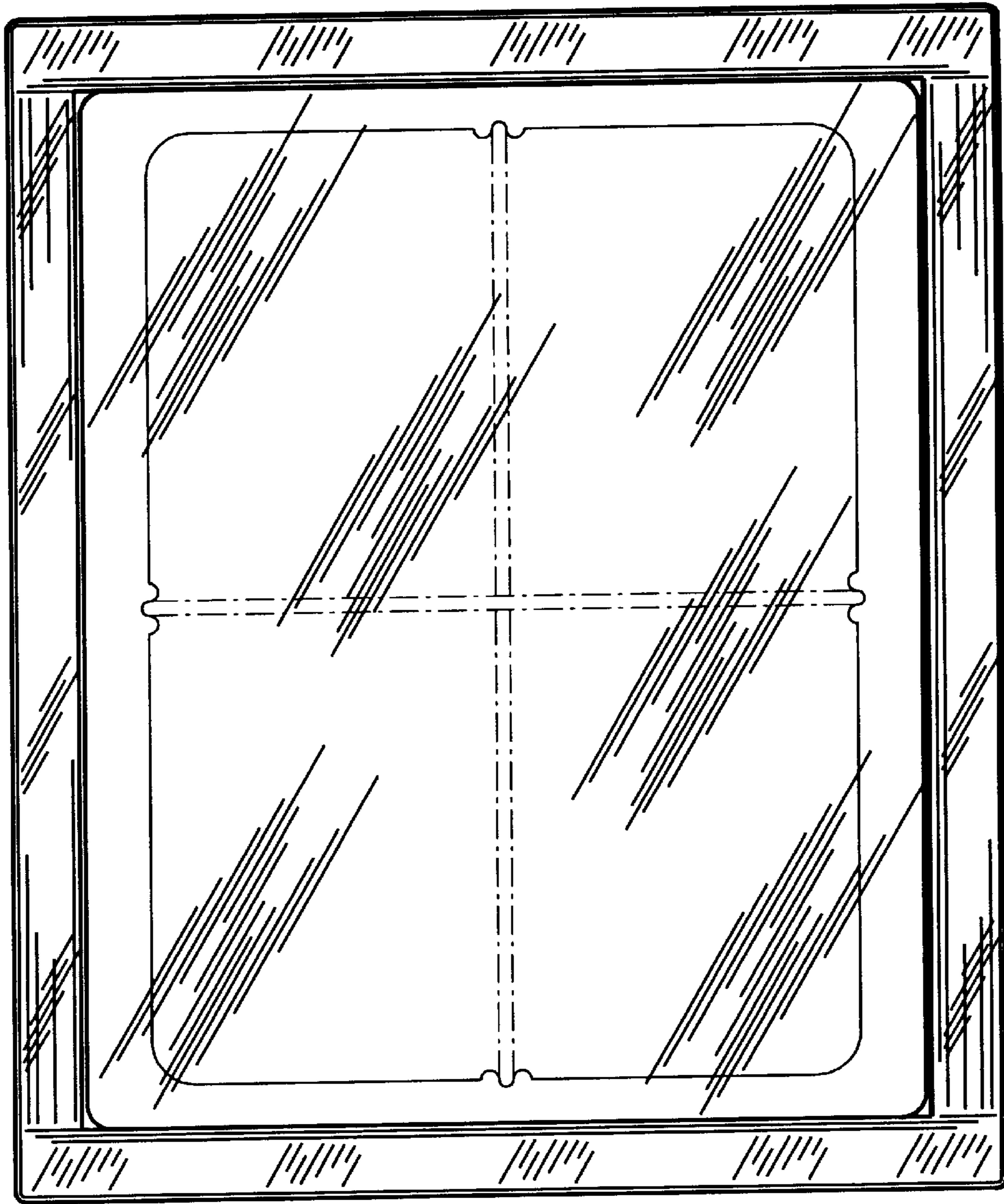


Fig. 3

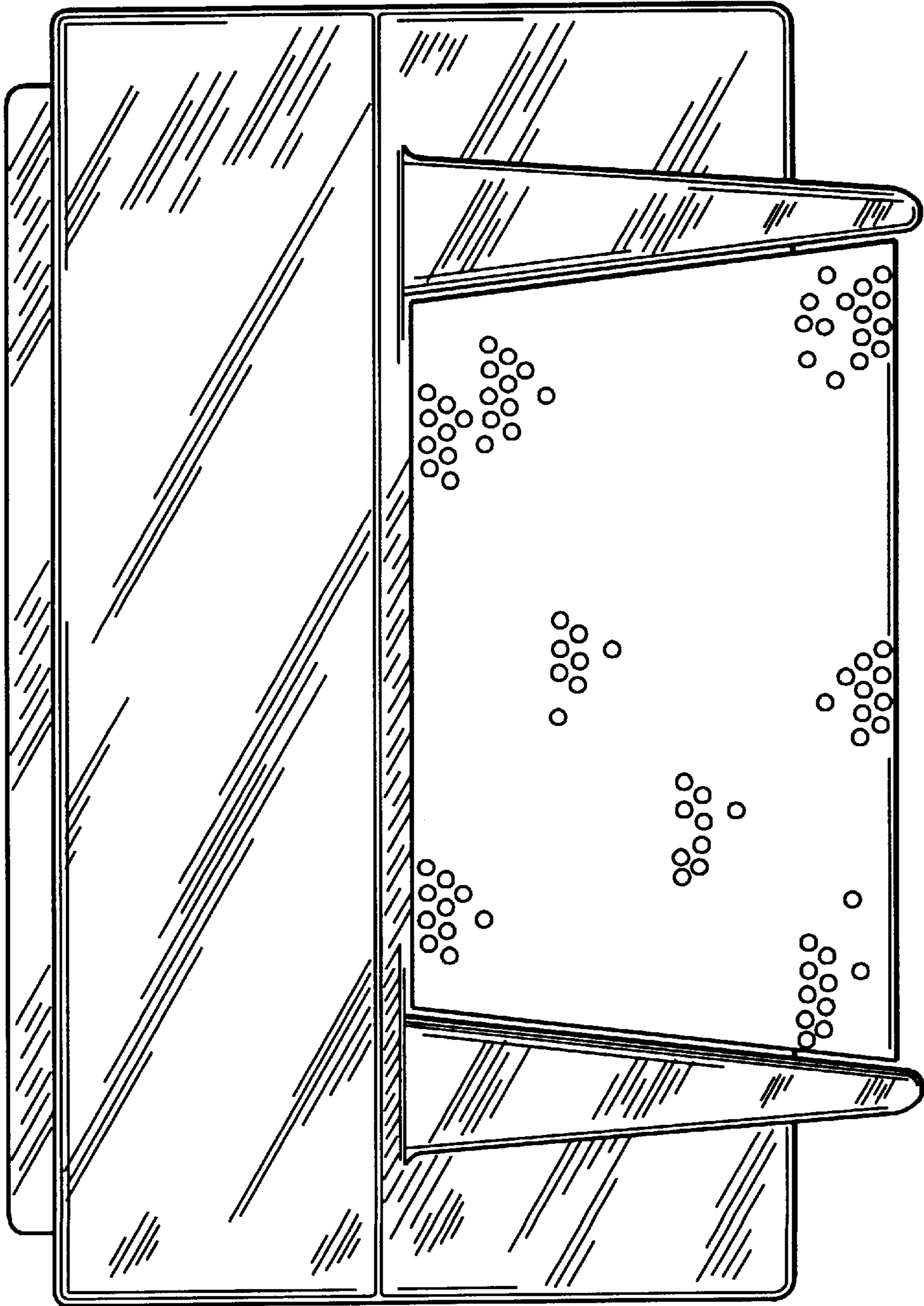
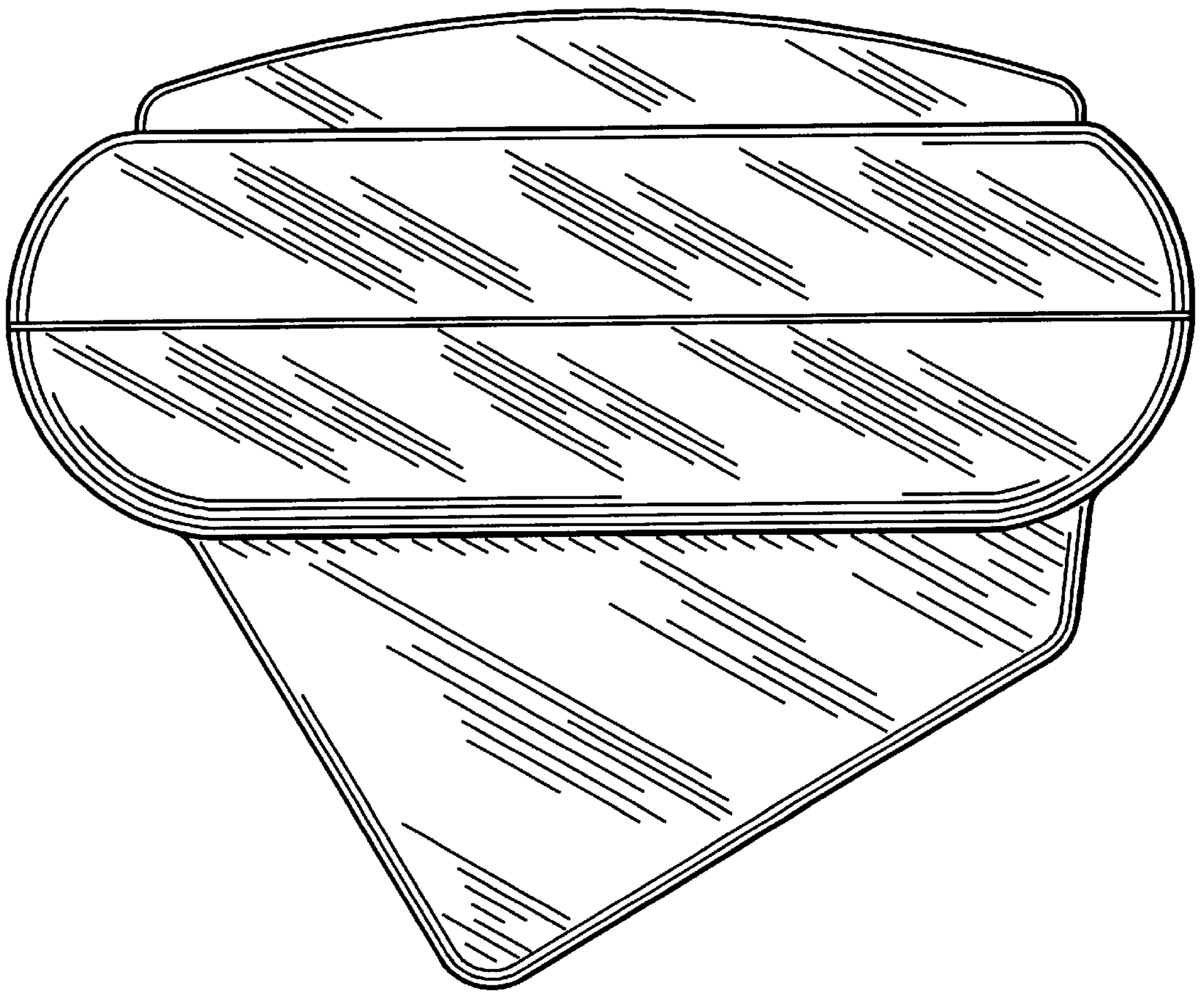


Fig. 4



*Fig. 5*



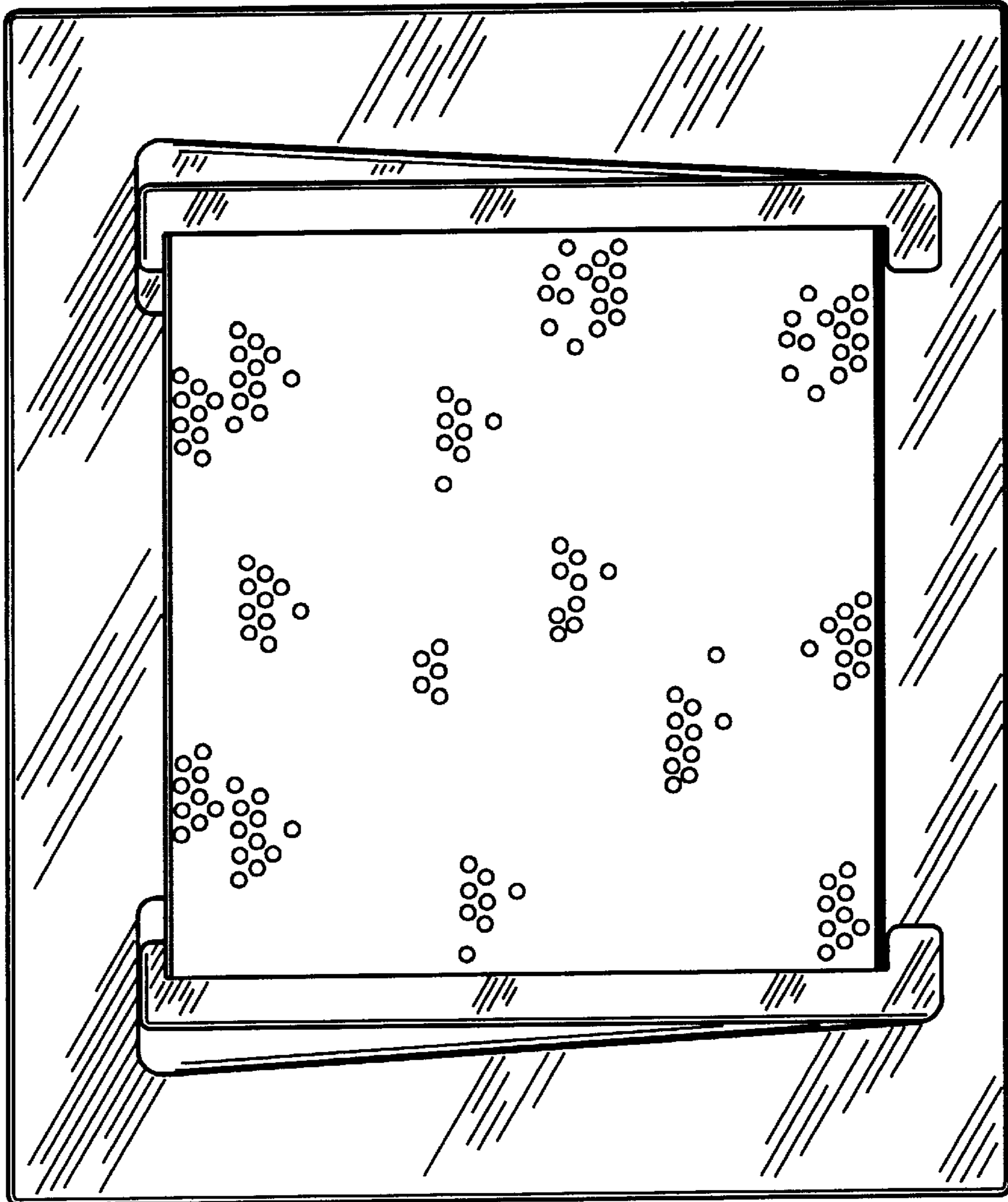
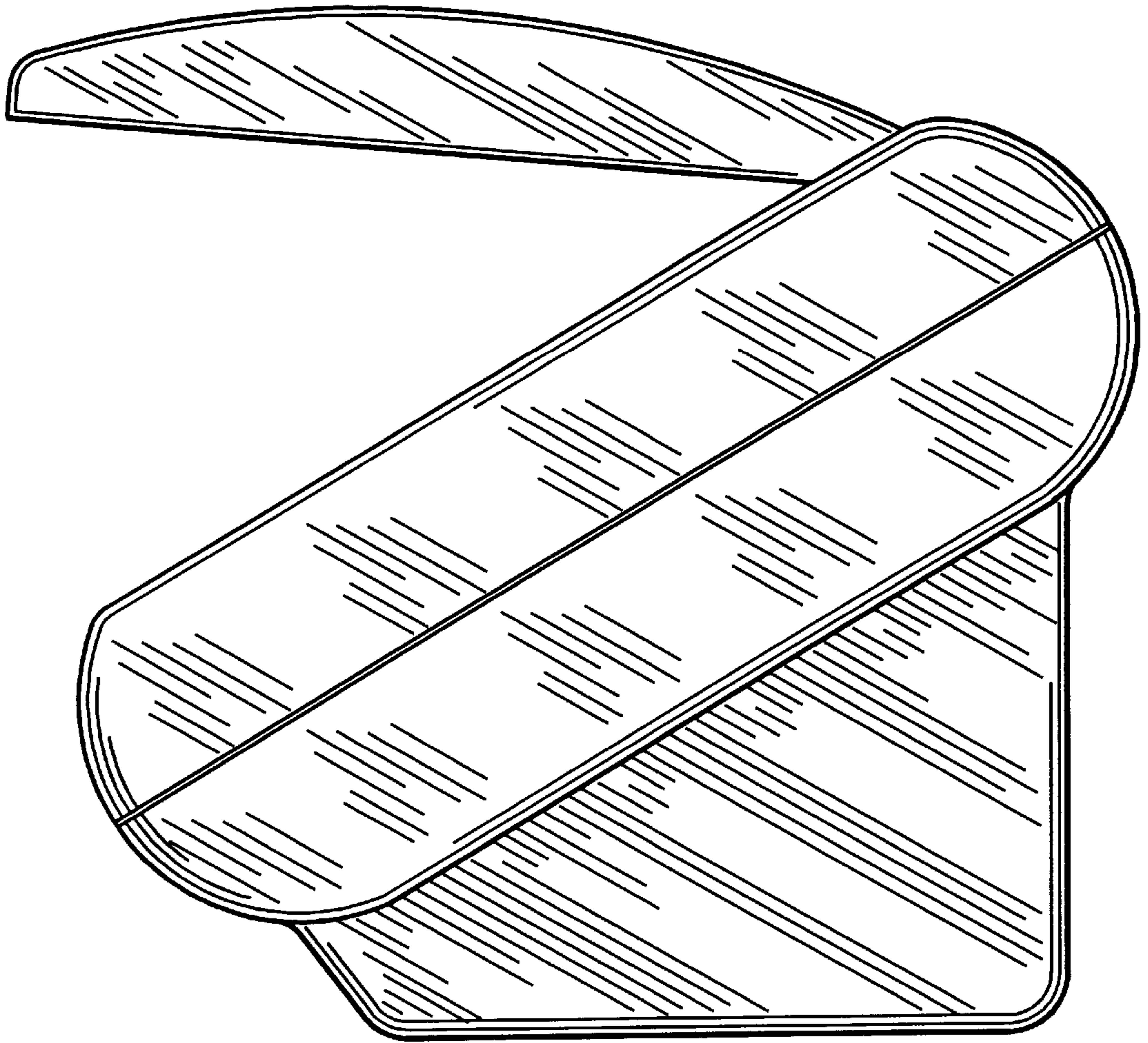


Fig. 6



*Fig. 7*