



US00D427807S

United States Patent [19]

Holcomb et al.

[11] Patent Number: **Des. 427,807**

[45] Date of Patent: **** Jul. 11, 2000**

[54] **TOOL CABINET**

[75] Inventors: **Greg Jon Holcomb**, Cedar Falls;
Steven Frederick Kohagen, Waverly;
Kent Charles Johnson, Cedar Falls;
Robert J. Mehmen, Shell Rock, all of
Iowa; **Carl E. Hoffmeyer**, Chicago, Ill.;
Simon Yan, New York, N.Y.

[73] Assignee: **Waterloo Industries, Inc.**, Waterloo,
Iowa

[**] Term: **14 Years**

[21] Appl. No.: **29/097,972**

[22] Filed: **Dec. 18, 1998**

[51] **LOC (7) Cl.** **06-04**

[52] **U.S. Cl.** **D6/445; D34/21**

[58] **Field of Search** D6/432-448; D34/19,
D34/21, 20; 312/204, 281, 108, 308, 249.11,
249.12; D3/279, 297, 905

[56] **References Cited**

U.S. PATENT DOCUMENTS

D. 205,523 8/1966 Doman D34/19
D. 219,913 2/1971 Malm et al. D34/19

D. 283,263 4/1986 Richey D34/19
D. 292,937 11/1987 Richey D34/19
D. 349,594 8/1994 Bonazza D34/20
4,120,549 10/1978 Bureau 312/249.12
4,811,999 3/1989 Remington et al. 312/249.8
5,244,265 9/1993 Chiang 312/107
5,281,020 1/1994 Romick 312/308
5,443,311 8/1995 Kadlecek et al. 312/308
5,497,878 3/1996 Sandonato 312/281

Primary Examiner—Carmen H. Vales-Lado
Attorney, Agent, or Firm—Banner & Witcoff, Ltd.

[57] **CLAIM**

The ornamental design for a tool cabinet, as shown and described.

DESCRIPTION

FIG. 1 is a perspective view of a tool cabinet showing our new design;
FIG. 2 is a perspective view with a tray in extended position;
FIG. 3 is a top plan view thereof;
FIG. 4 is a front elevational view thereof;
FIG. 5 is a right side elevational view thereof;
FIG. 6 is a left side elevational view thereof;
FIG. 7 is a rear elevational view thereof; and,
FIG. 8 is a bottom plan view thereof.

1 Claim, 4 Drawing Sheets

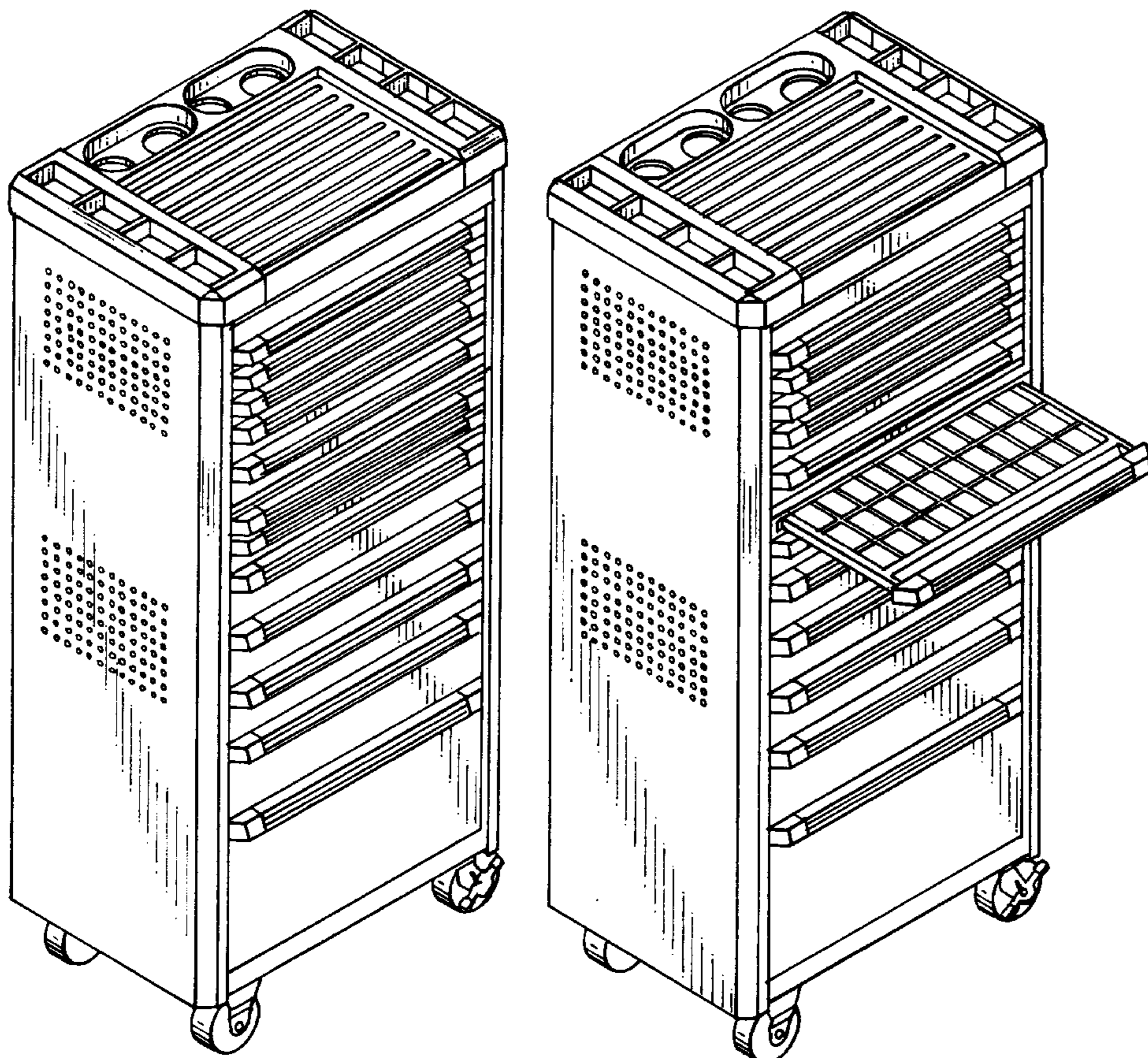


FIG. 1

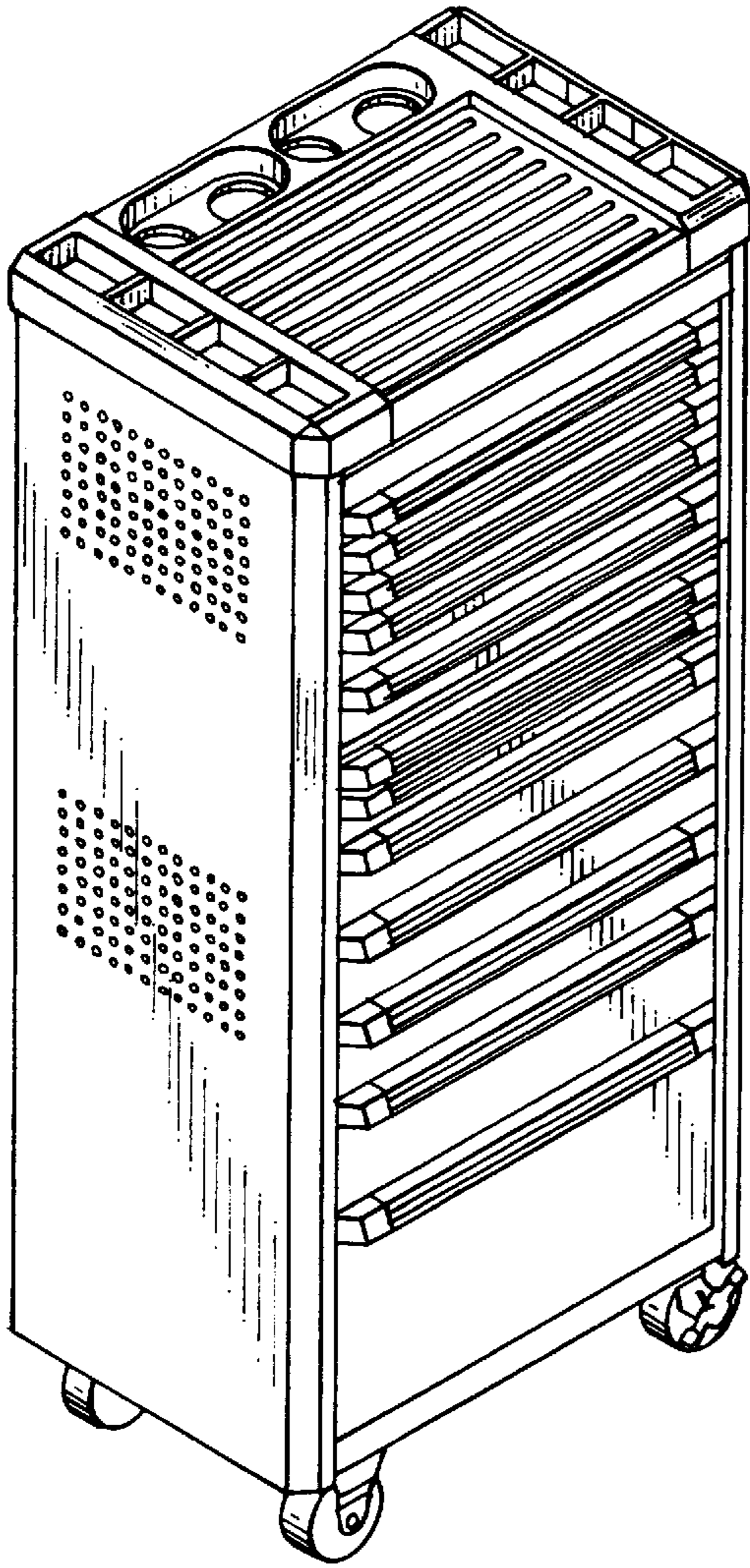


FIG. 2

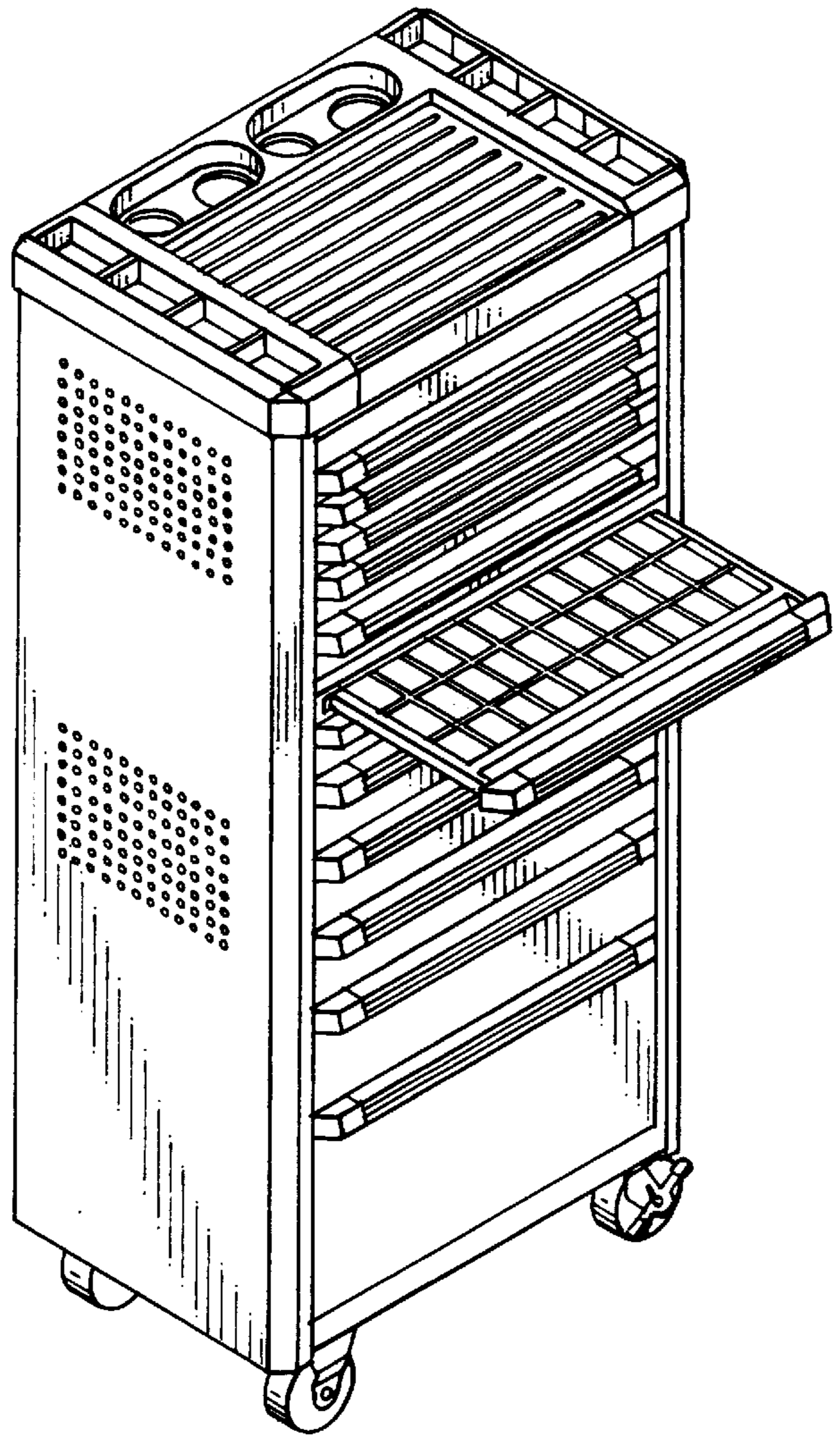


FIG. 3

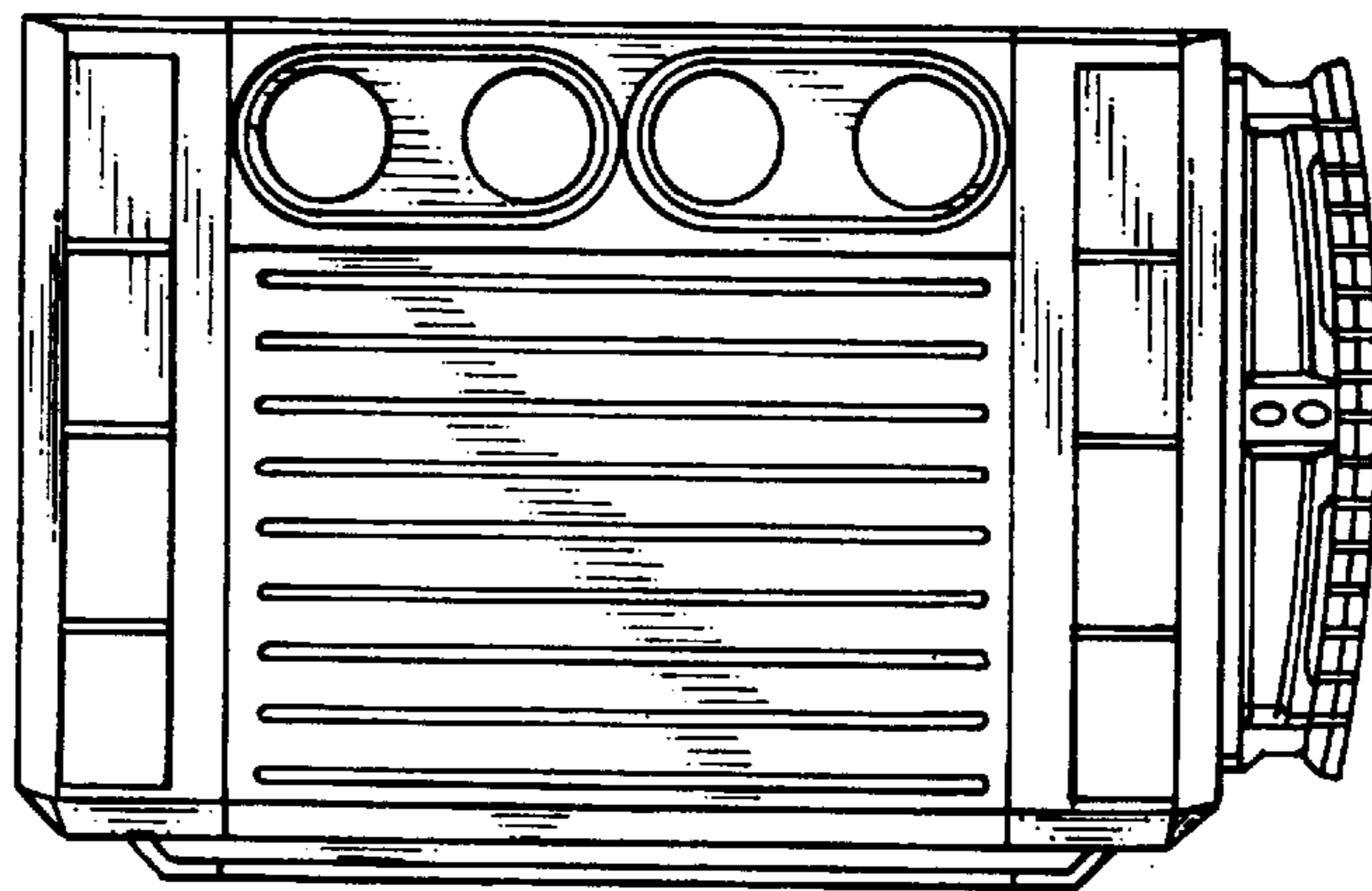


FIG.4

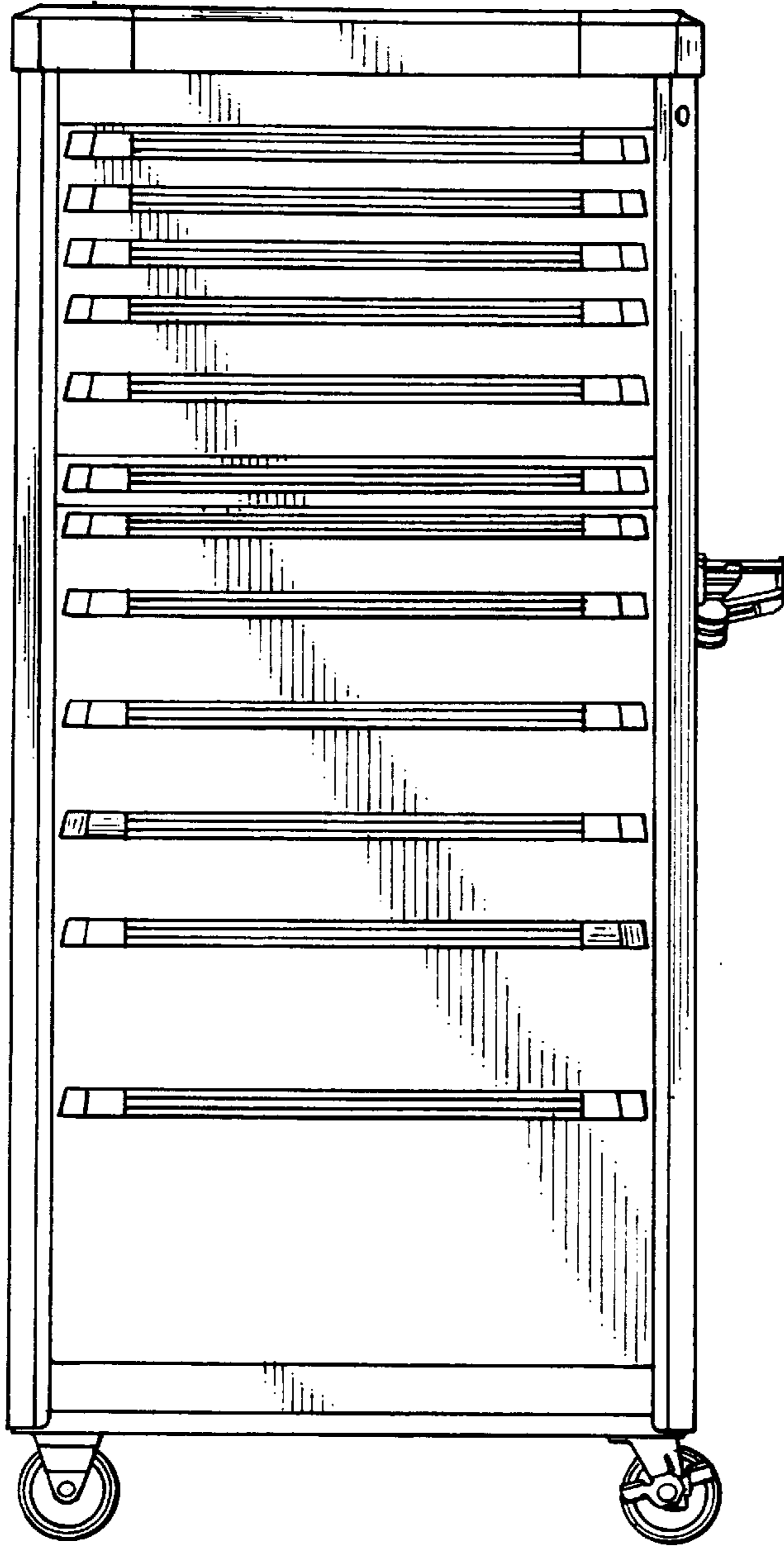


FIG.5

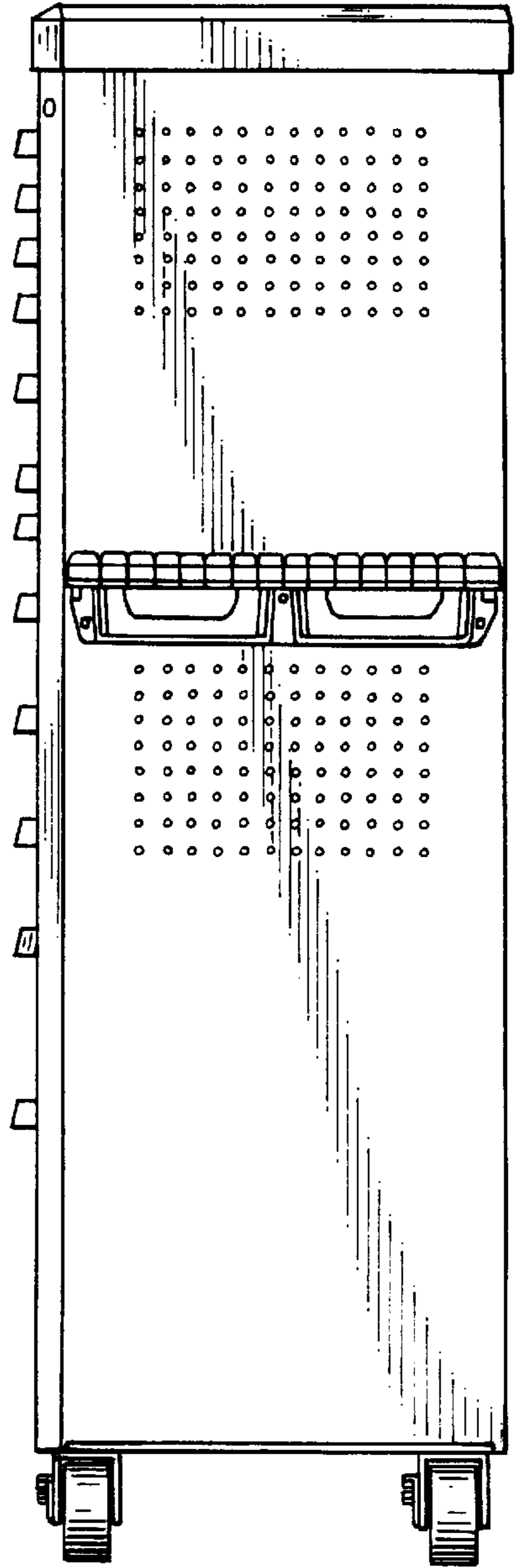


FIG. 6

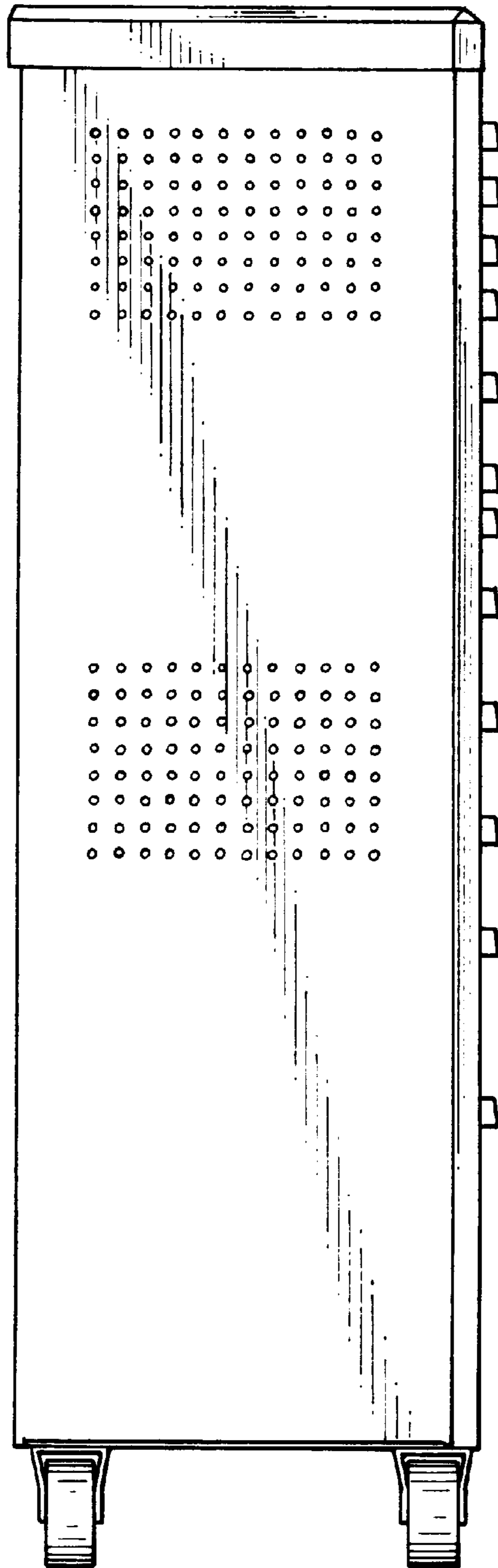


FIG. 7

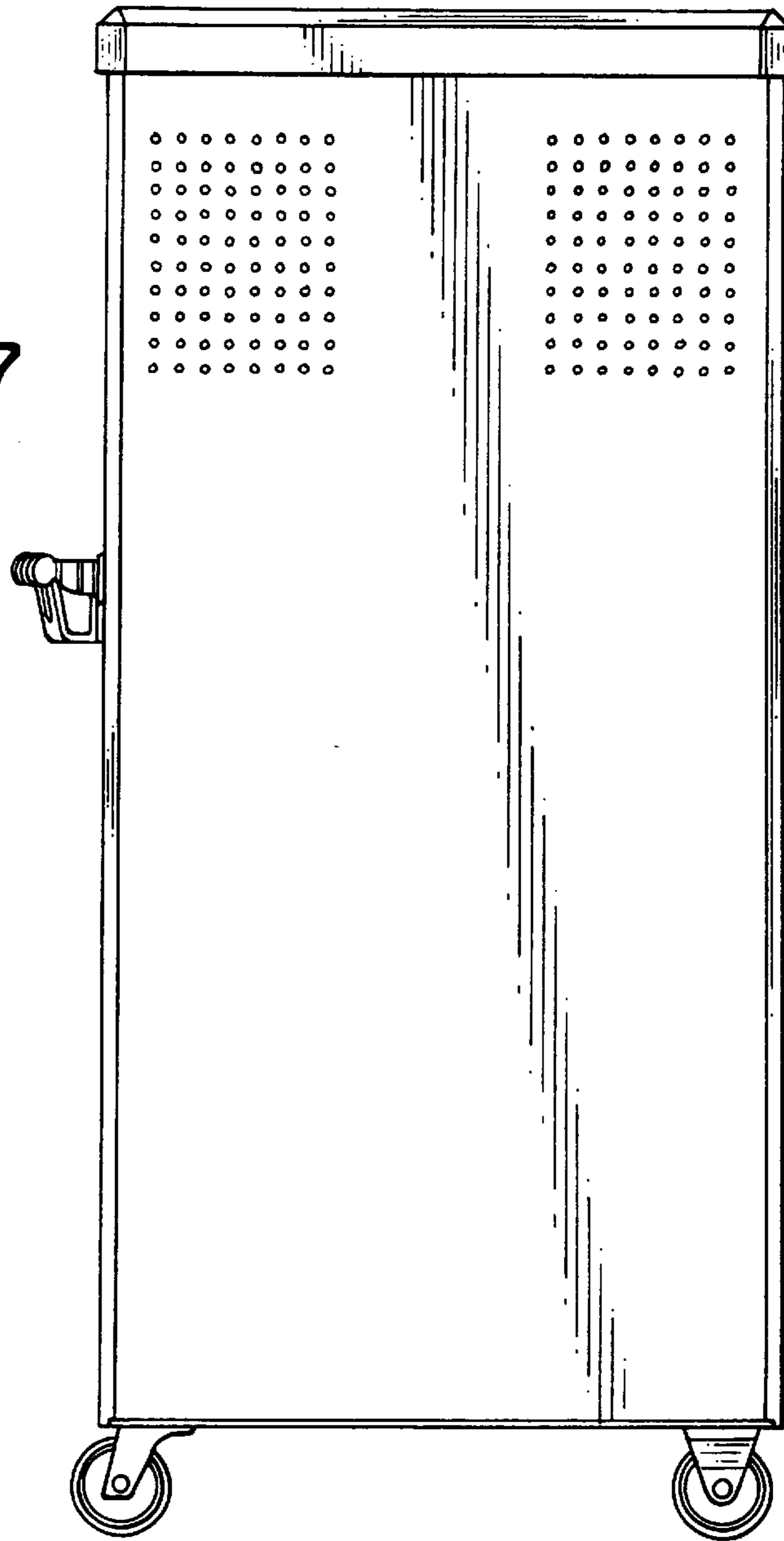
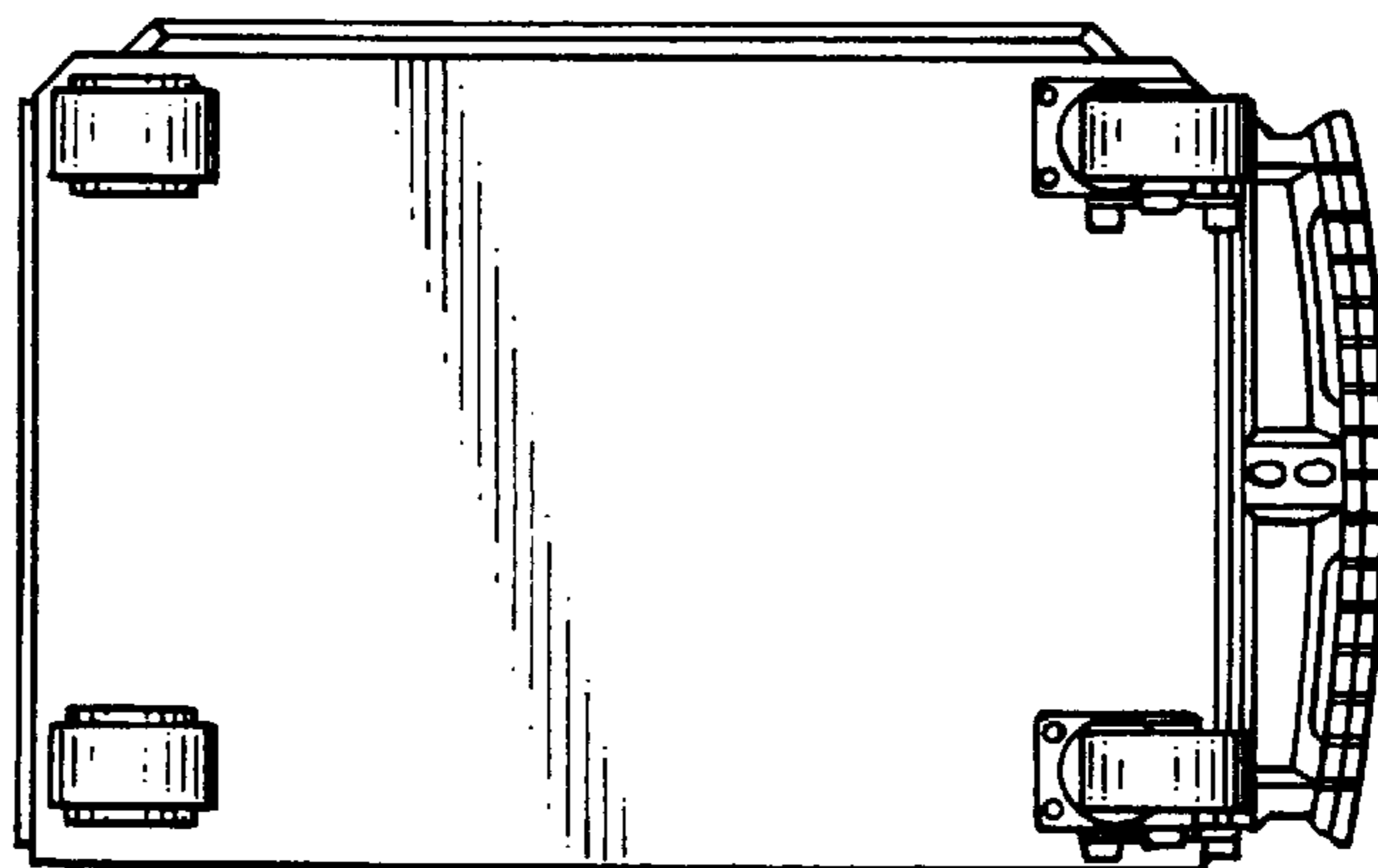


FIG. 8



UNITED STATES PATENT AND TRADEMARK OFFICE
CERTIFICATE OF CORRECTION

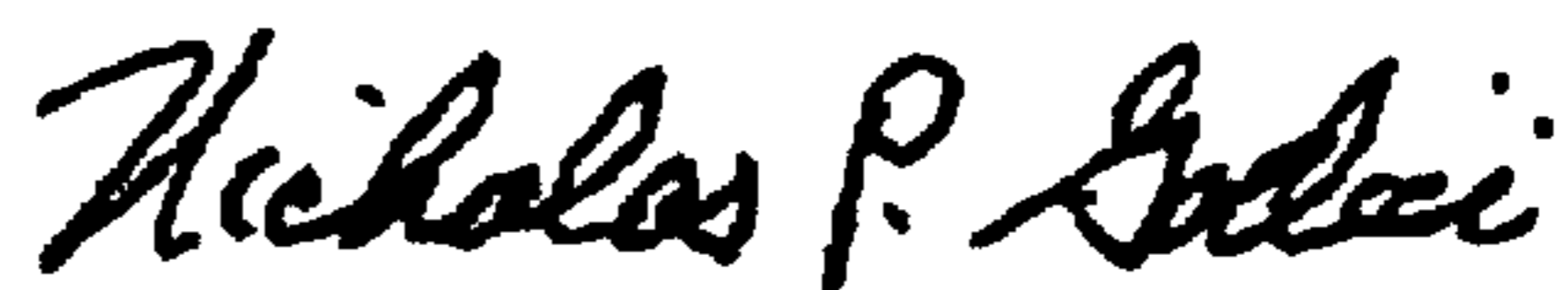
PATENT NO. : Des. 427,807
DATED : July 11, 2000
INVENTOR(S) : Holcomb et al.

It is certified that error appears in the above-identified patent and that said Letters Patent is hereby corrected as shown below:

The error appears in the patent
Inventor Carl E. Hoffmeyer should be "Carl E. Hoffmeier"

Signed and Sealed this
Twenty-ninth Day of May, 2001

Attest:



NICHOLAS P. GODICI

Attesting Officer

Acting Director of the United States Patent and Trademark Office