



US00D427801S

# United States Patent [19]

Cary, Jr. et al.

[11] Patent Number: **Des. 427,801**

[45] Date of Patent: **\*\* Jul. 11, 2000**

[54] **PHARMACY PROCESSING CENTER**

[75] Inventors: **William Eugene Cary, Jr.; Ryan Andrew Lewis**, both of Birmingham, Ala.

[73] Assignee: **Southern Store Fixtures, Inc.**, Bessemer, Ala.

[\*\*] Term: **14 Years**

[21] Appl. No.: **29/092,212**

[22] Filed: **Aug. 14, 1998**

[51] **LOC (7) Cl.** ..... **06-04**

[52] **U.S. Cl.** ..... **D6/396; D6/436; D6/437; D24/234**

[58] **Field of Search** ..... D6/396, 397, 474, D6/478, 479, 481, 477, 436, 437; 312/140, 140.1, 249.8, 249.11-249.13; D24/234

[56] **References Cited**

**U.S. PATENT DOCUMENTS**

- D. 349,823 8/1994 Gregg ..... D6/436
- D. 369,033 4/1996 Lechleiter et al. .... D6/449
- D. 374,214 10/1996 Dittmer ..... D24/234 X

- D. 403,886 1/1999 Geier et al. .... D6/436
- D. 403,889 1/1999 Geier et al. .... D6/437
- D. 403,890 1/1999 Geier et al. .... D6/437
- 3,027,212 3/1962 Pearson ..... 312/140.1
- 5,622,010 4/1997 Weber ..... 52/36.4

*Primary Examiner*—Cathron B. Matta  
*Attorney, Agent, or Firm*—Robert J. Veal; Burr & Forman

[57] **CLAIM**

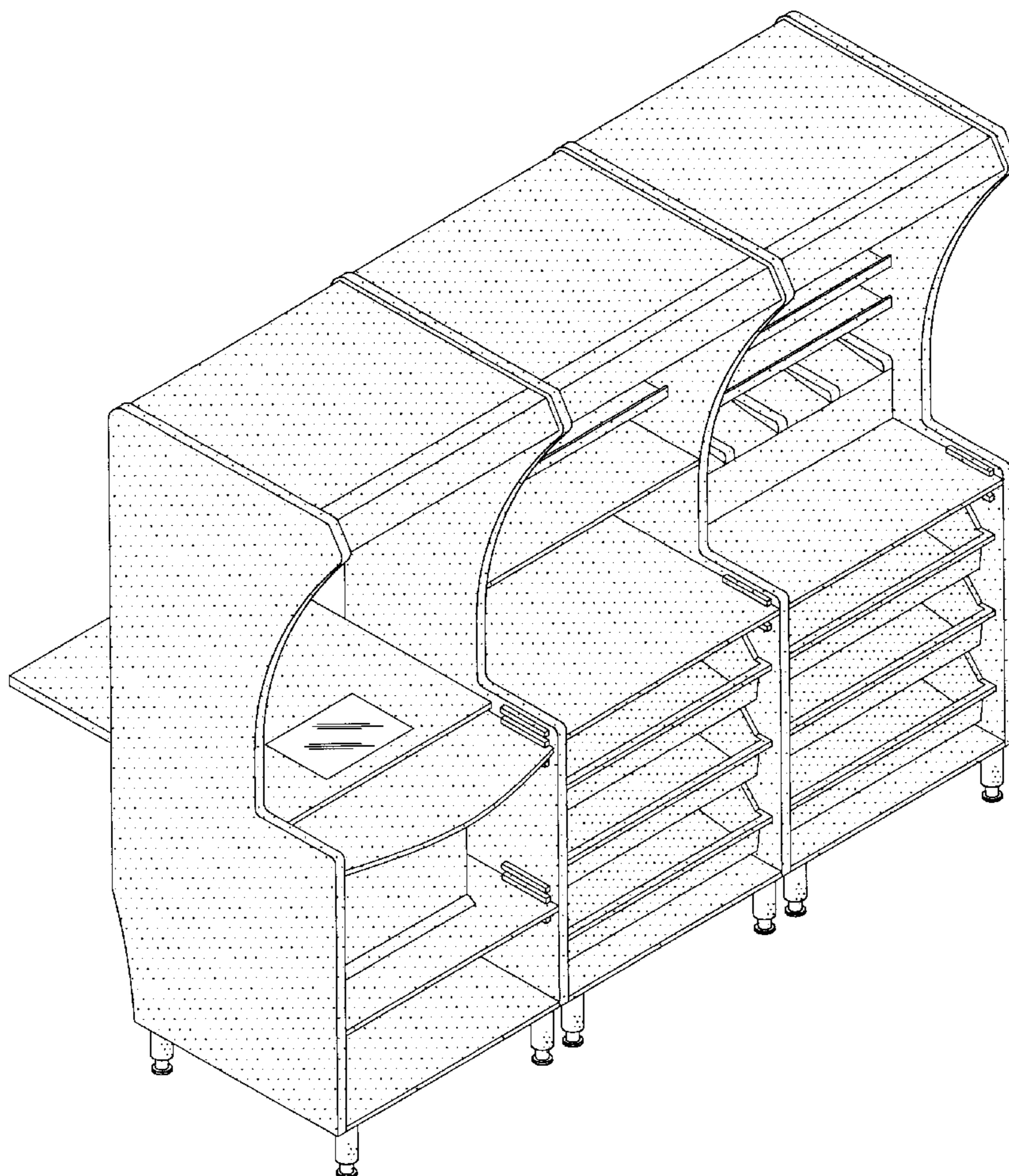
The ornamental design for a pharmacy processing center, as shown and described.

**DESCRIPTION**

FIG. 1 is a front perspective view of a pharmacy processing center showing my new design; FIG. 2 is a rear perspective view thereof; FIG. 3 is a rear elevational view thereof; FIG. 4 is a front elevational view thereof; FIG. 5 is a left side elevational view thereof; FIG. 6 is a right side elevational view thereof; and, FIG. 7 is a top plan view thereof.

The surface(s) or portion(s) of the article not shown in the drawing or described in the specification form(s) no part of the claimed design.

**1 Claim, 6 Drawing Sheets**



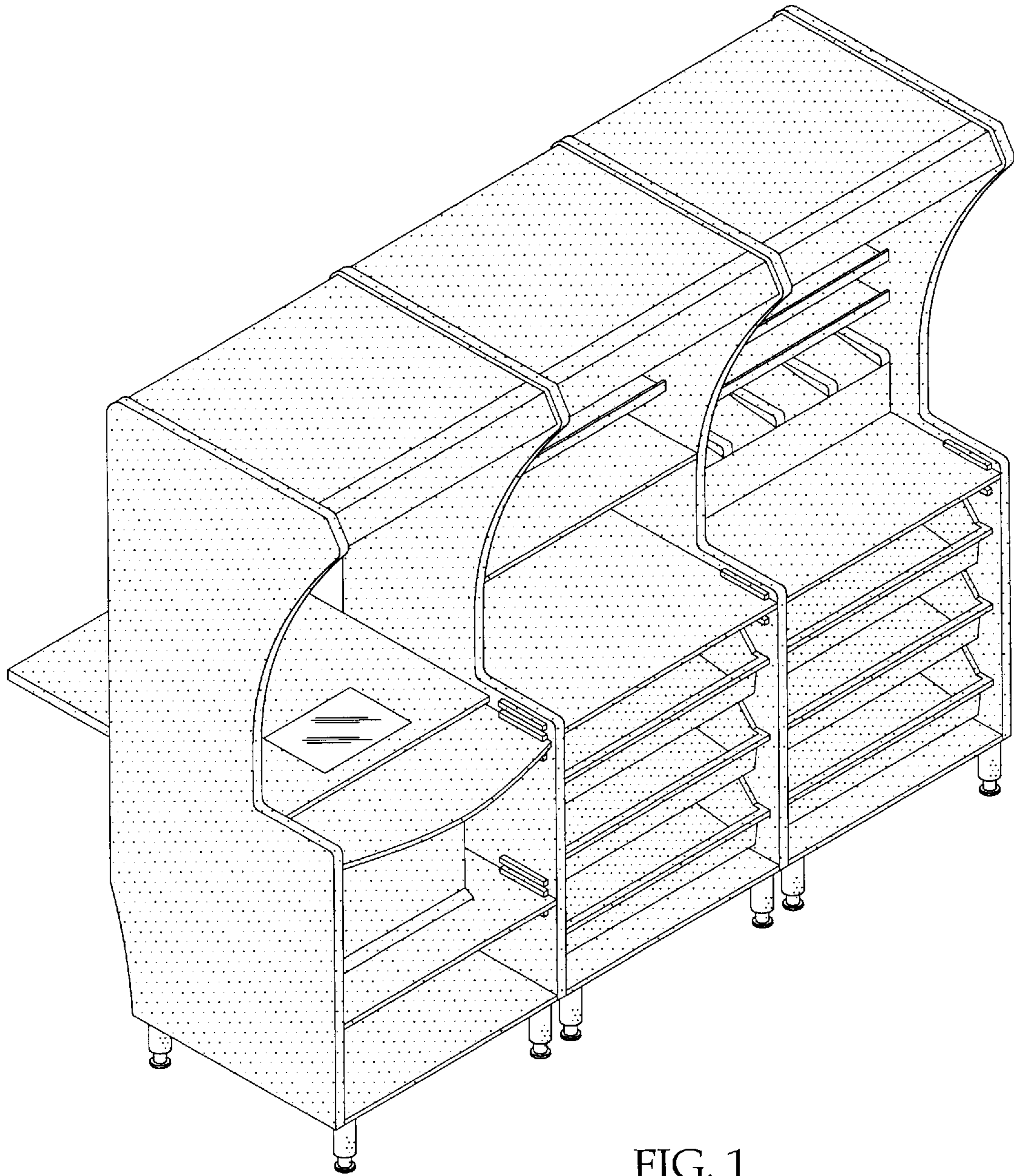


FIG. 1

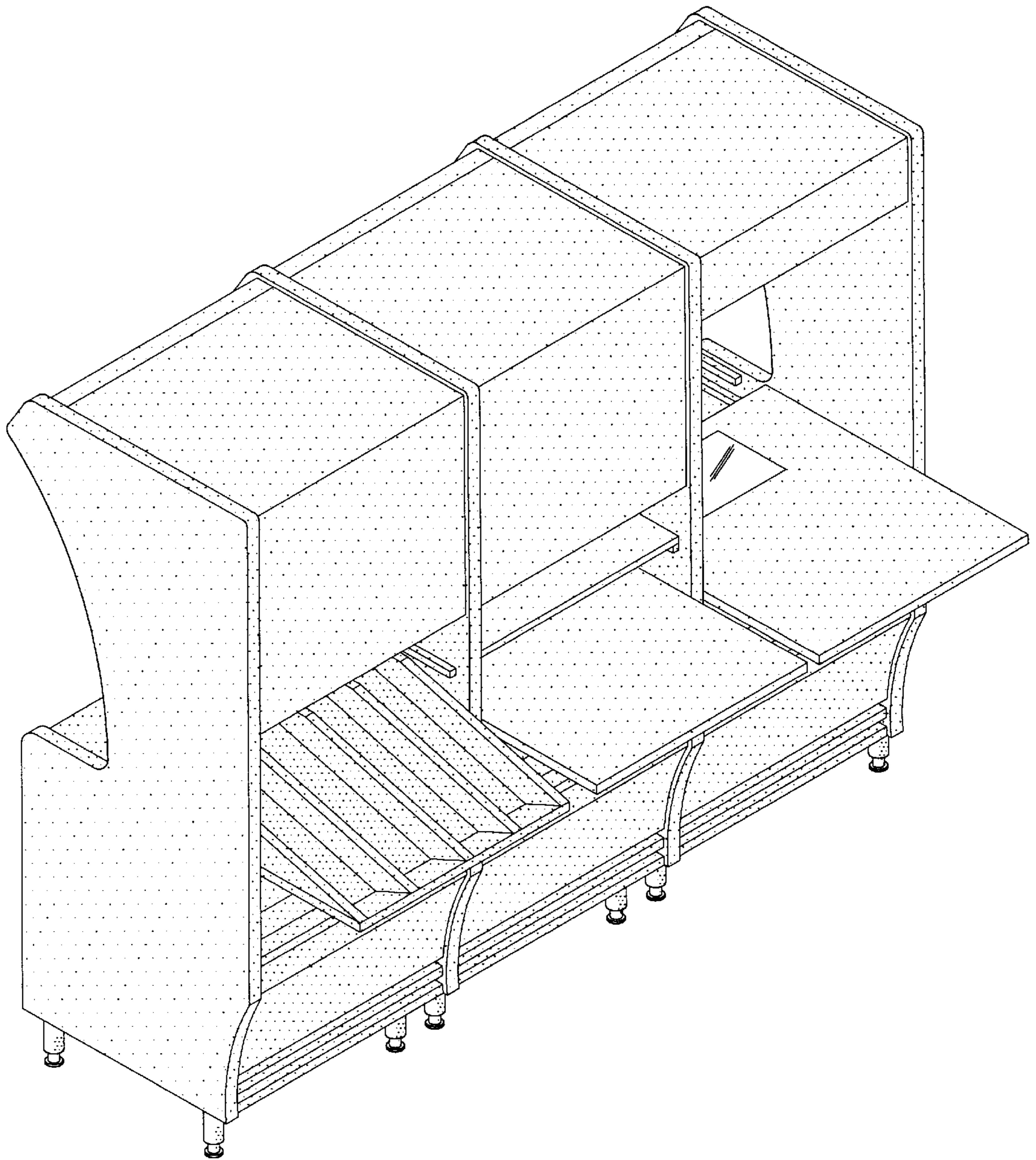


FIG. 2

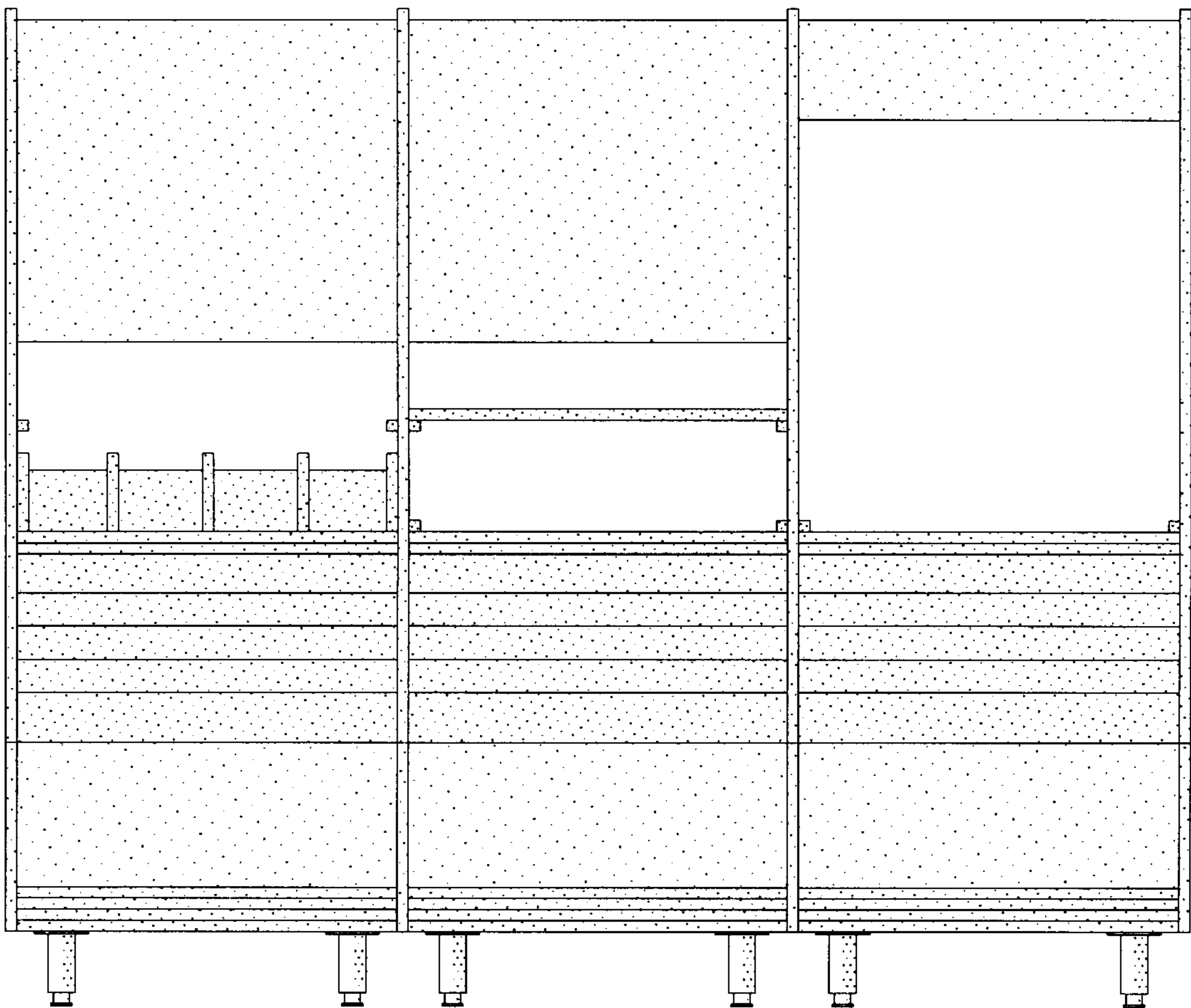


FIG. 3

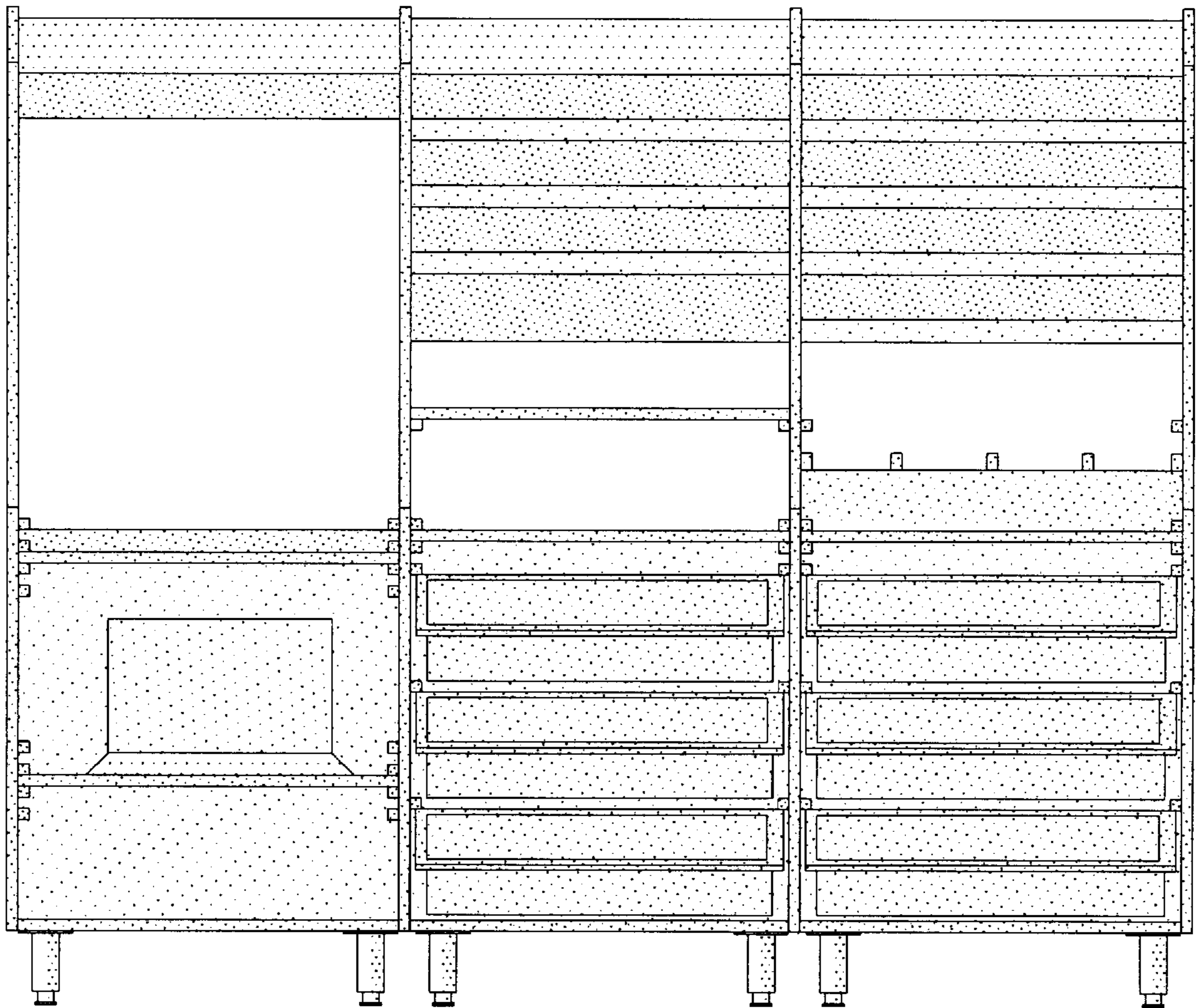


FIG. 4

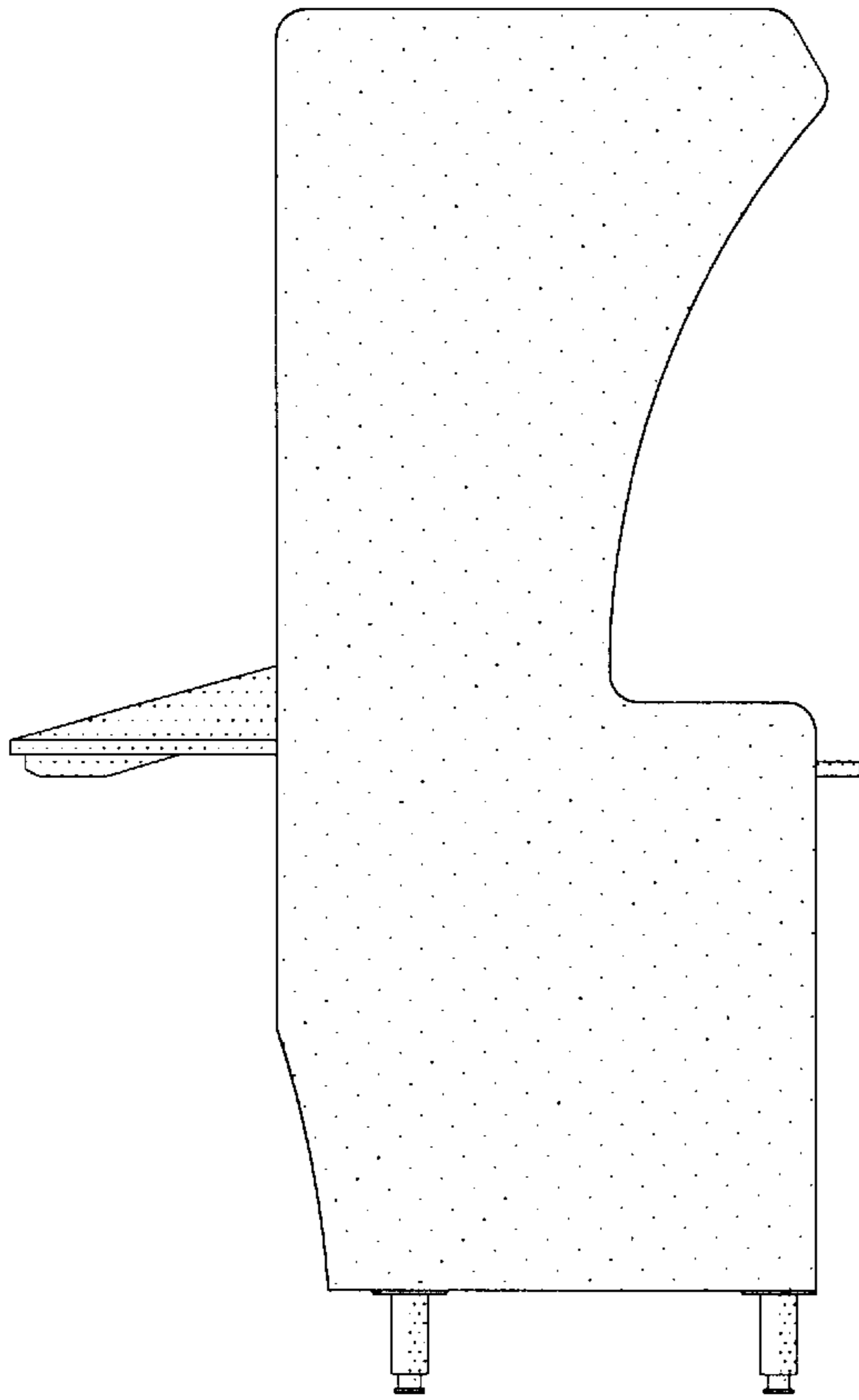


FIG. 5

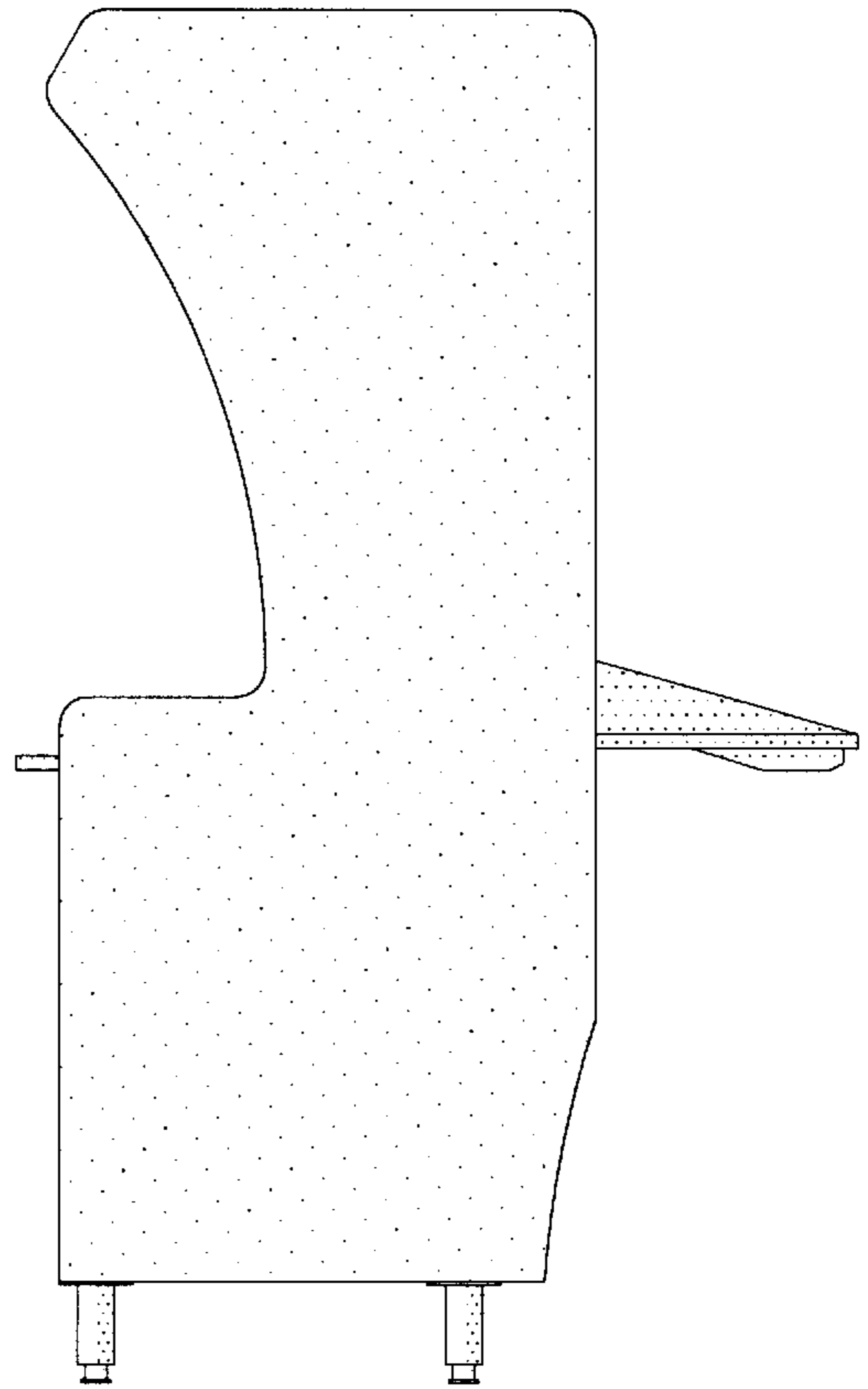


FIG. 6

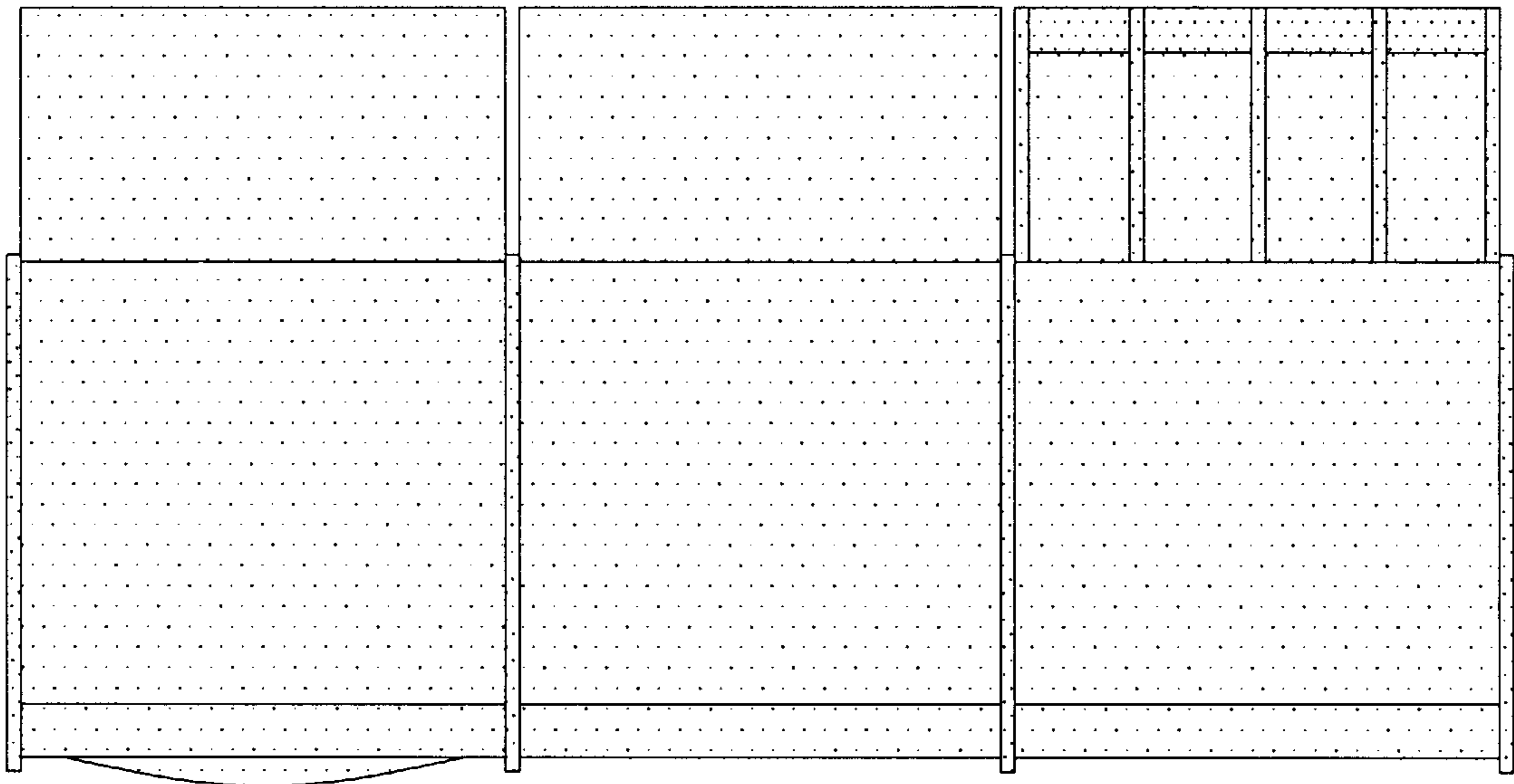


FIG. 7