



US00D427800S

United States Patent [19] Dornbierer

[11] **Patent Number: Des. 427,800**
[45] **Date of Patent: ** Jul. 11, 2000**

[54] **PLAYTABLE FOR CHILDREN**
[76] Inventor: **Andreas Dornbierer**, Landstrasse 43,
CH-5264 Oberfrick, Switzerland
[**] Term: **14 Years**
[21] Appl. No.: **29/091,519**
[22] Filed: **Jul. 31, 1998**
[30] **Foreign Application Priority Data**
Feb. 2, 1998 [CH] Switzerland 012146
[51] **LOC (7) Cl.** **06-04**
[52] **U.S. Cl.** **D6/396**
[58] **Field of Search** D6/396, 397, 474,
D6/480, 484, 429-431; D21/397; 312/204,
265.6, 293.1, 330.1; 273/236; 108/11, 13,
14, 90

D. 265,660 8/1982 Jackson D21/397
D. 285,632 9/1986 Axhamre D6/474
D. 287,678 1/1987 Hatcher et al. D6/474
D. 358,511 5/1995 Frahm D6/397
D. 362,142 9/1995 Yn-Chin D6/484
D. 364,290 11/1995 Watts D6/474
D. 370,136 5/1996 Loucks D6/397
5,360,264 11/1994 Crane 312/293.1

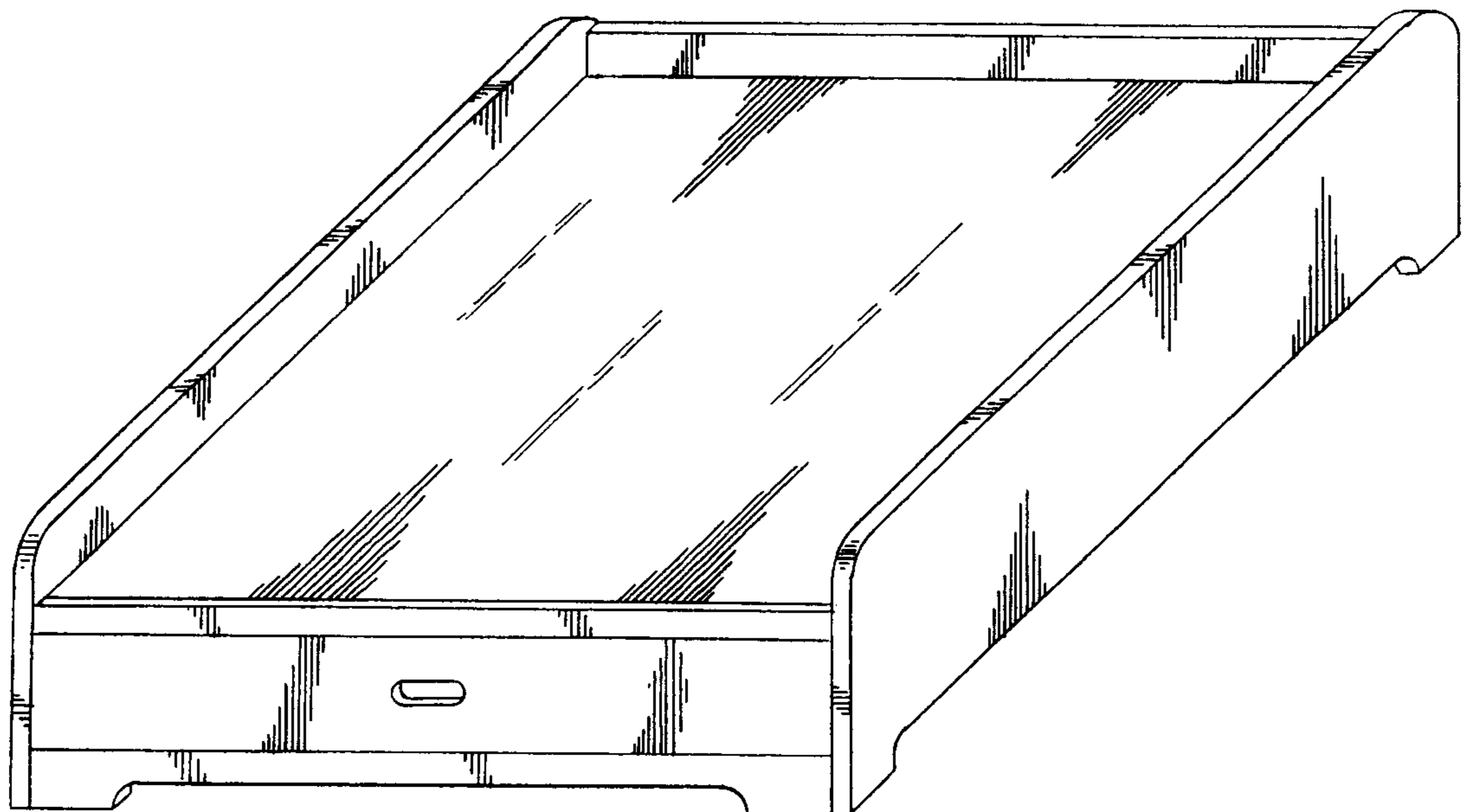
Primary Examiner—Carmen H. Vales-Lado
Attorney, Agent, or Firm—W. F. Fasse; W. G. Fasse

[56] **References Cited**
U.S. PATENT DOCUMENTS
D. 137,954 5/1944 Puls et al. D21/397
D. 223,380 4/1972 Kim D21/397
D. 242,478 11/1976 Howell D21/397

[57] **CLAIM**
I claim the ornamental design for a playtable for children, as shown and described.

DESCRIPTION
FIG. 1 is a perspective view of a playtable for children showing my new design;
FIG. 2 is a top view thereof;
FIG. 3 is a bottom view thereof;
FIG. 4 is a right side view, the left side being identical thereto;
FIG. 5 is a front view thereof; and,
FIG. 6 is a rear view thereof.

1 Claim, 3 Drawing Sheets



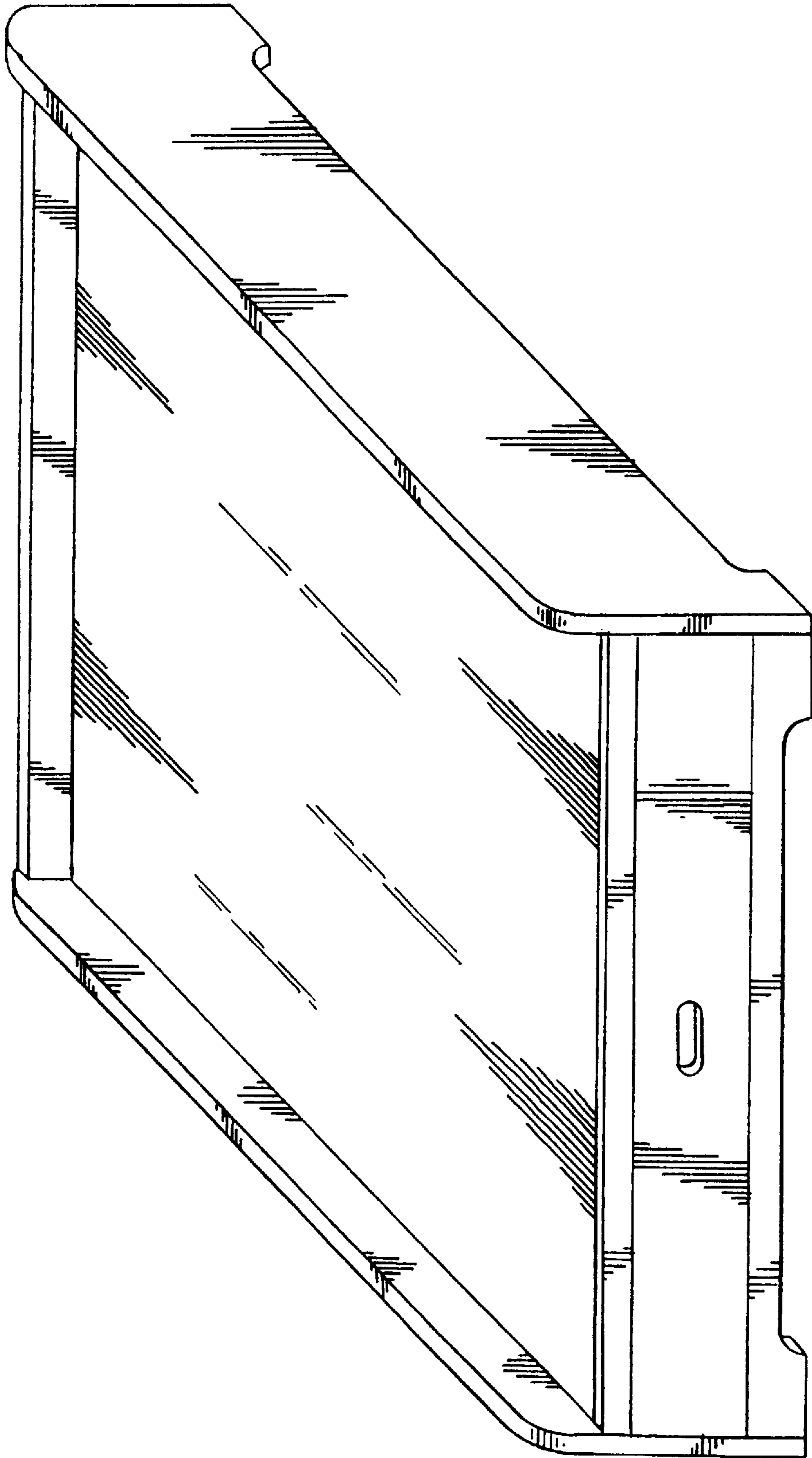


FIG. 1

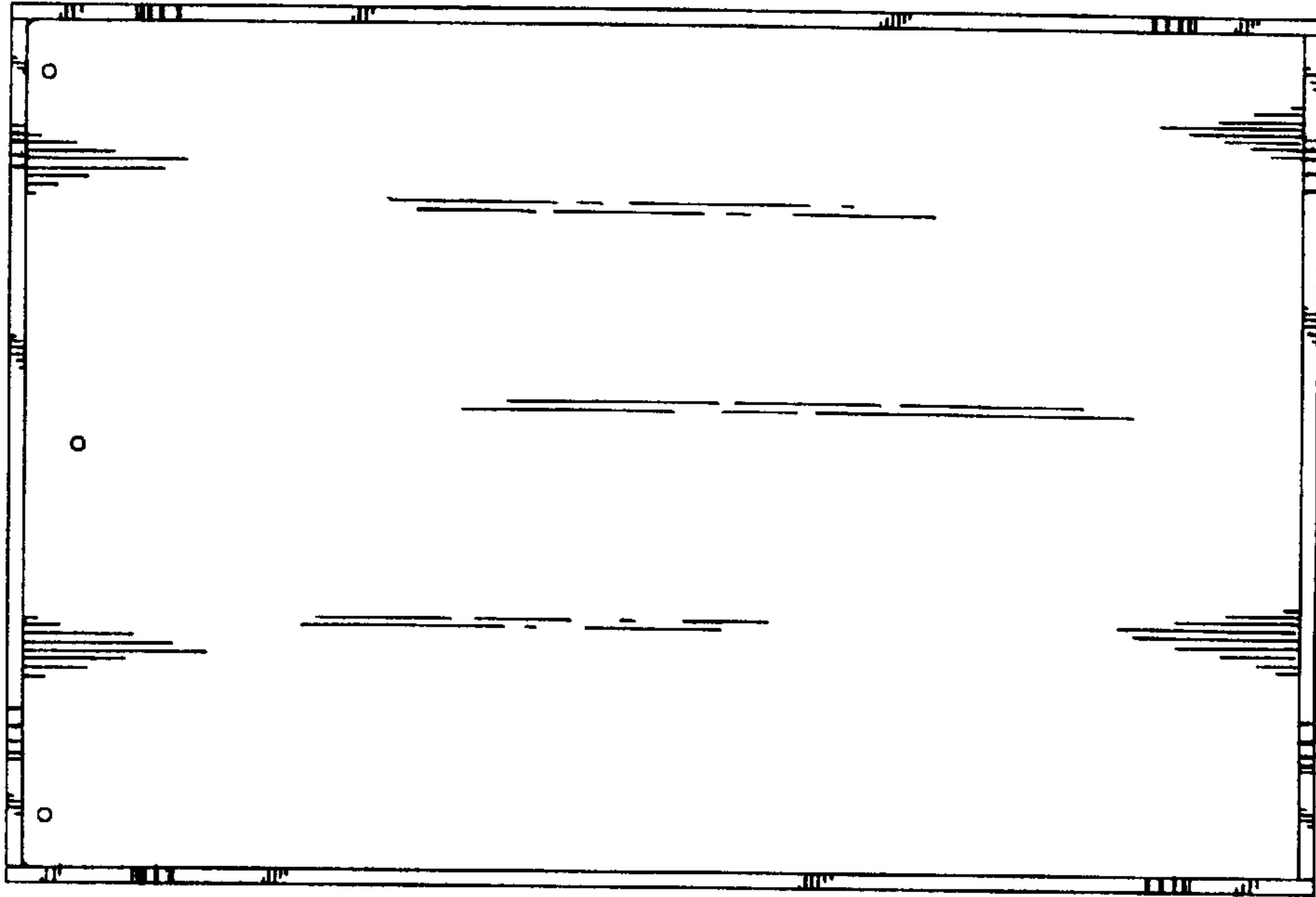


FIG.3

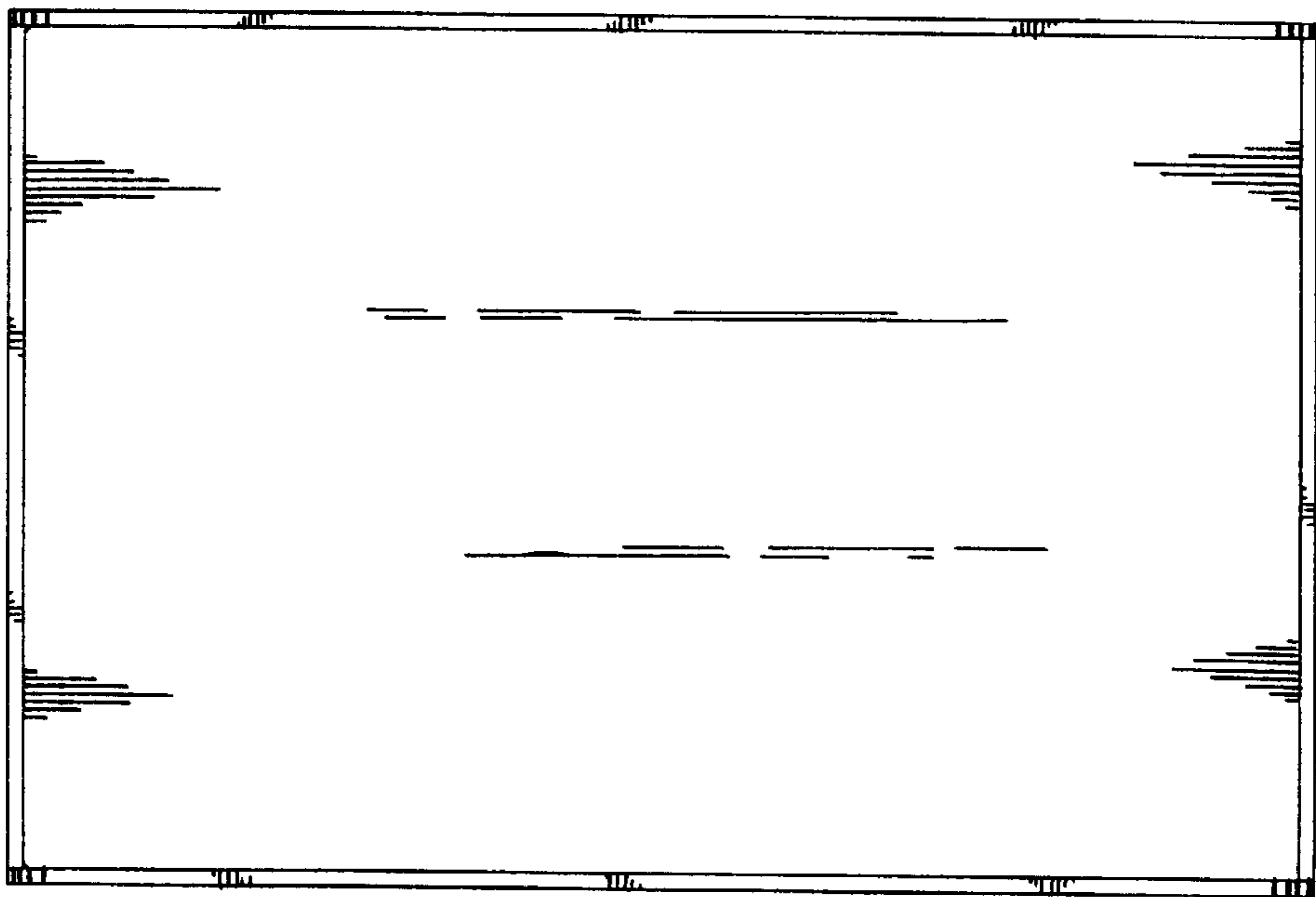


FIG.2

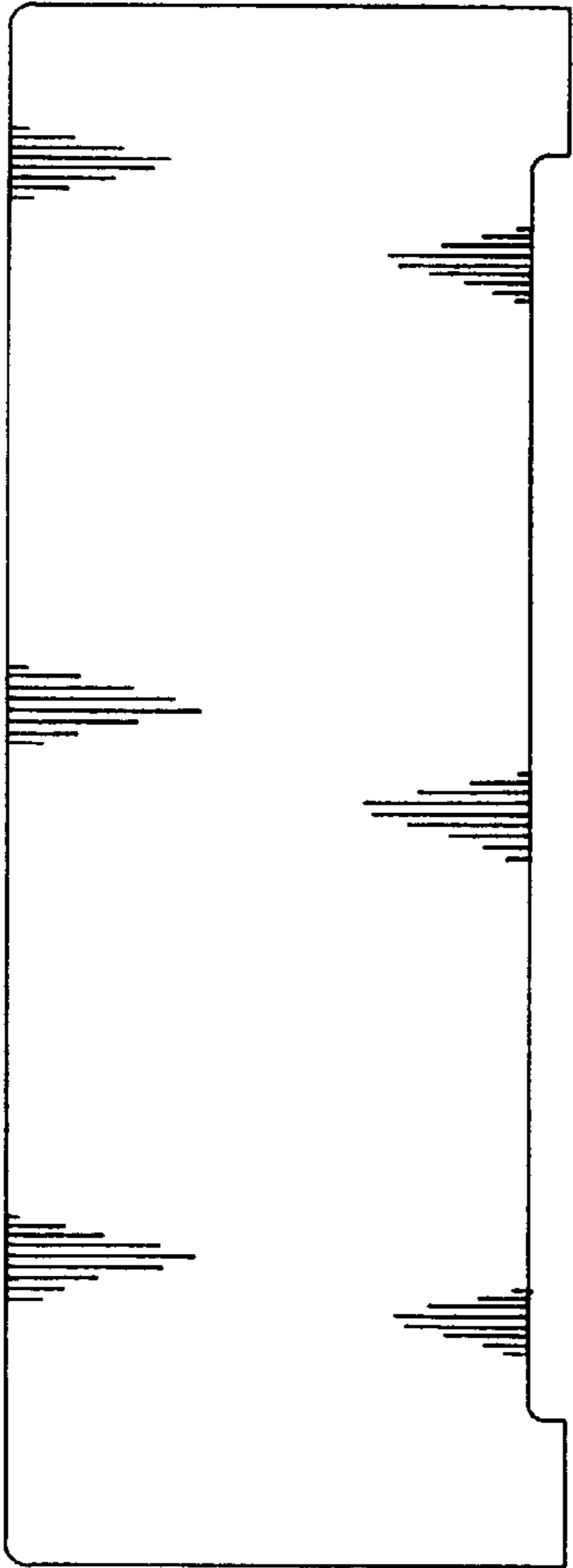


FIG. 4

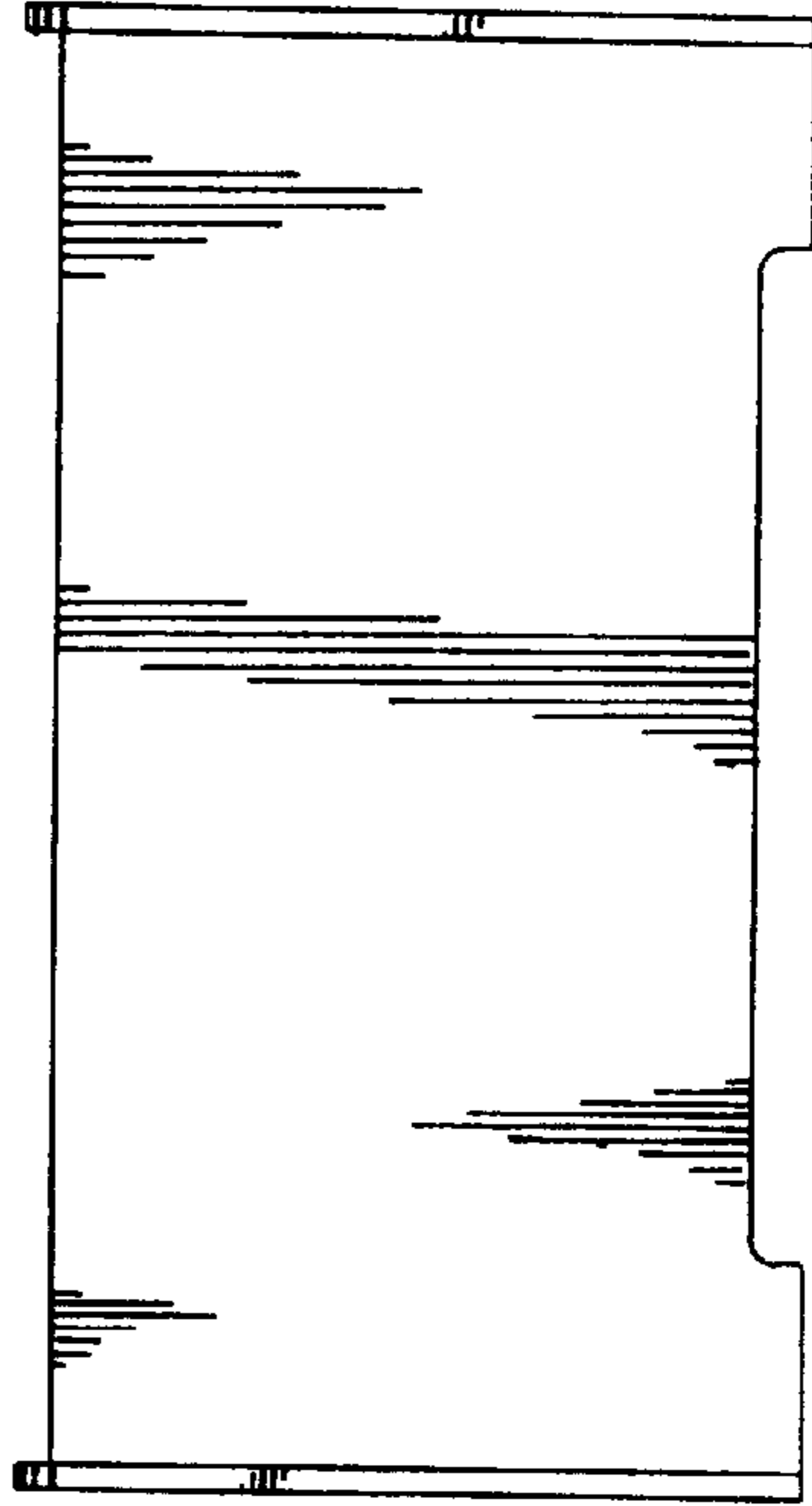


FIG. 6

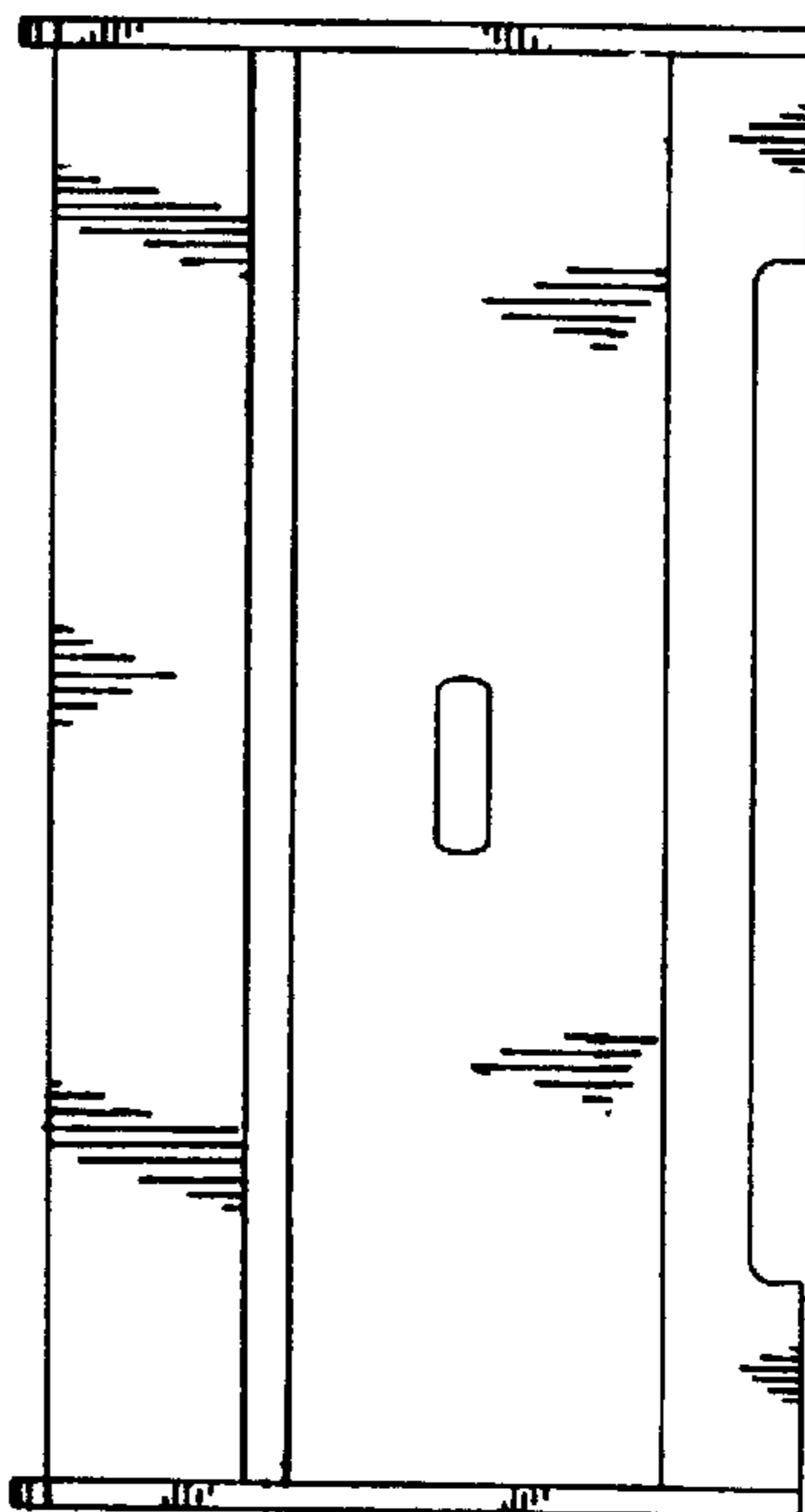


FIG. 5

**UNITED STATES PATENT AND TRADEMARK OFFICE
CERTIFICATE OF CORRECTION**

PATENT NO. : Des. 427,800

DATED : July 11, 2000

INVENTOR(S) : Dornbierer

It is certified that error appears in the above-identified patent and that said Letters Patent is hereby corrected as shown below:

On the Title Page

Under [30] Foreign Application Priority Data:

replace to read:

--Feb. 2 1998 WIPO.....012146--.

**Signed and Sealed this
Tenth Day of April, 2001**

Attest:



NICHOLAS P. GODICI

Attesting Officer

Acting Director of the United States Patent and Trademark Office