



US00D427797S

**United States Patent** [19]  
**Tseng**

[11] **Patent Number: Des. 427,797**  
[45] **Date of Patent: \*\* Jul. 11, 2000**

[54] **CHAIR**

[76] Inventor: **Chun-Hsien Tseng**, No. 3, Ting-Hsi Hsin, Lu-Man Tsun, Chu-Chi Hsiang, Chiayi Hsien, Taiwan

[\*\*] Term: **14 Years**

[21] Appl. No.: **29/115,175**

[22] Filed: **Dec. 9, 1999**

[51] **LOC (7) Cl.** ..... **06-01**

[52] **U.S. Cl.** ..... **D6/376; D6/379**

[58] **Field of Search** ..... D6/334, 369, 370, D6/374, 375, 376, 379, 380, 500, 501, 502; 297/411.4, 411.41, 445.1

[56] **References Cited**

**U.S. PATENT DOCUMENTS**

D. 168,212	11/1952	Cicohelli	.....	D6/379
D. 168,843	2/1953	Johnson	.....	D6/369
D. 180,240	5/1957	McTyeire, Jr.	.....	D6/369
D. 183,743	10/1958	Howell, Jr.	.....	D6/334
D. 184,202	12/1958	Yuen	.....	D6/369

D. 191,704	11/1961	Stauffer	.....	D6/375
D. 192,800	5/1962	Munson	.....	D6/374
D. 213,683	4/1969	Leistikow	.....	D6/374
D. 234,064	1/1975	Noda et al.	.....	D6/379
D. 368,810	4/1996	Kemnitz et al.	.....	D6/376
D. 419,792	2/2000	Tseng	.....	D6/376
2,723,712	11/1955	Yellen	.....	D6/375 X

*Primary Examiner*—Gary D. Watson  
*Attorney, Agent, or Firm*—Ladas & Parry

[57] **CLAIM**

The ornamental design for chair, as shown and described.

**DESCRIPTION**

FIG. 1 is a perspective view of chair showing my new design;  
FIG. 2 is a front elevational view thereof;  
FIG. 3 is a rear elevational view thereof;  
FIG. 4 is a left side elevational view thereof;  
FIG. 5 is a right side elevational view thereof;  
FIG. 6 is a top plan view thereof; and,  
FIG. 7 is a bottom plan view thereof.

**1 Claim, 4 Drawing Sheets**

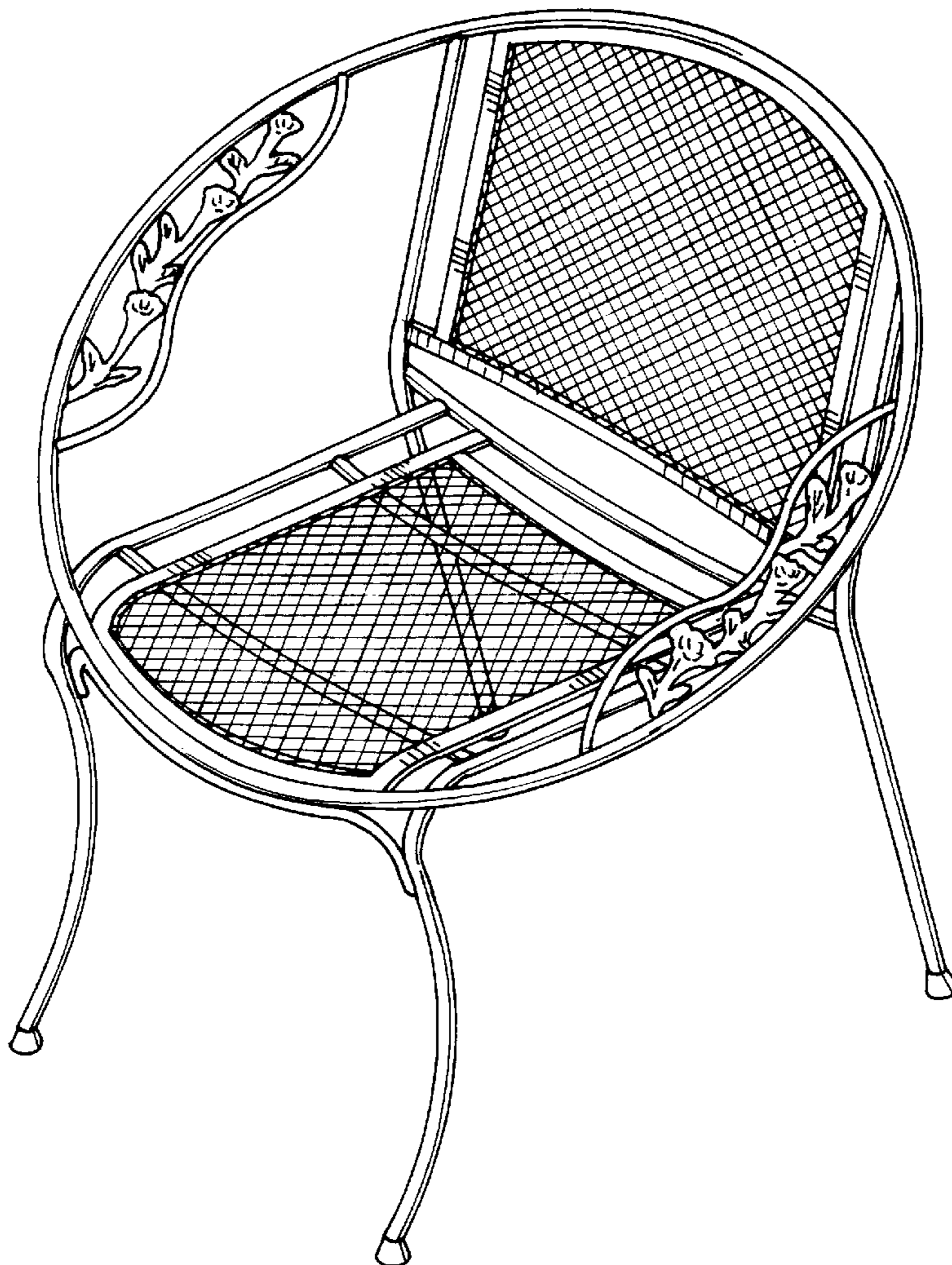




FIG. 1

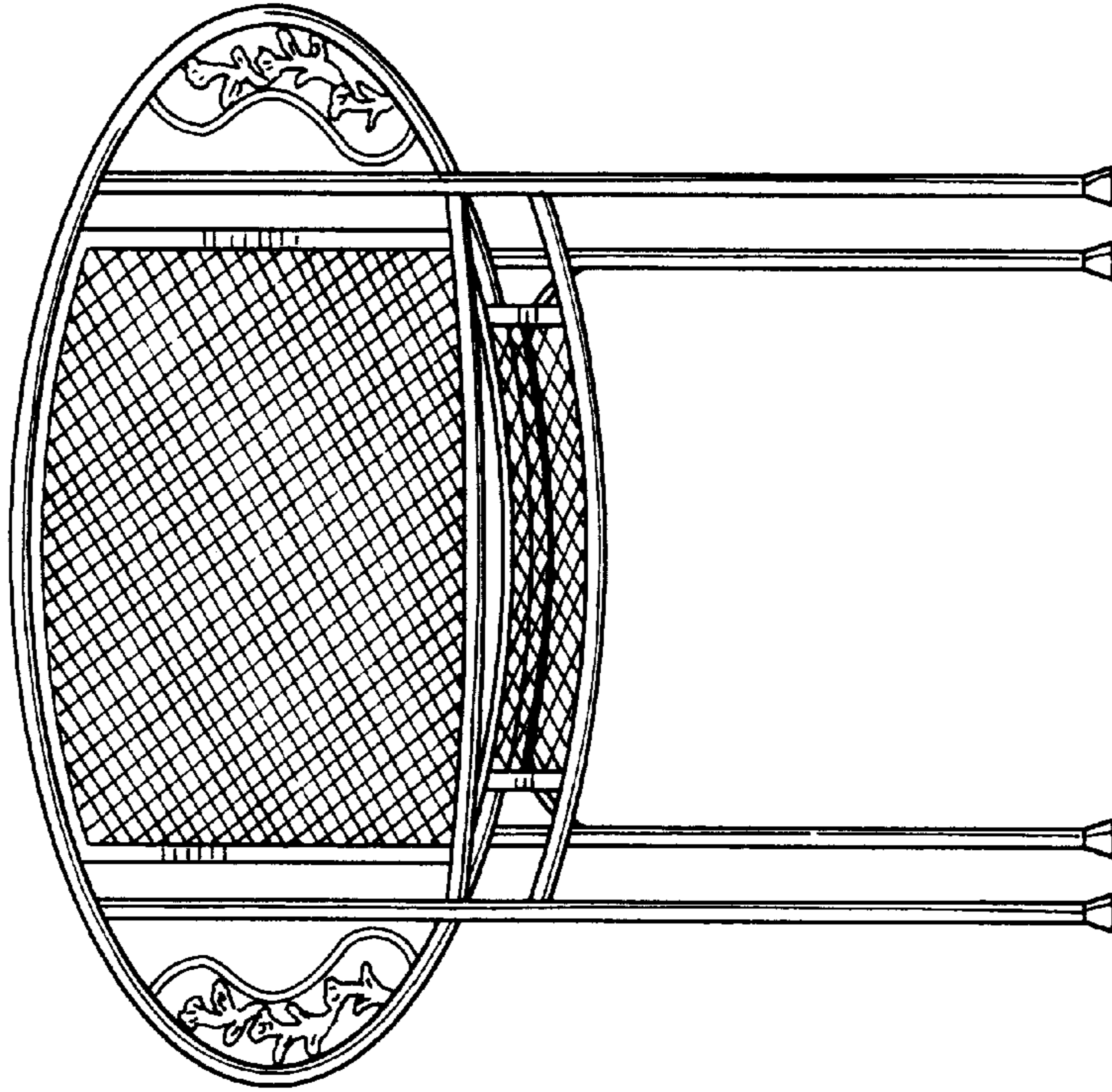


FIG. 3

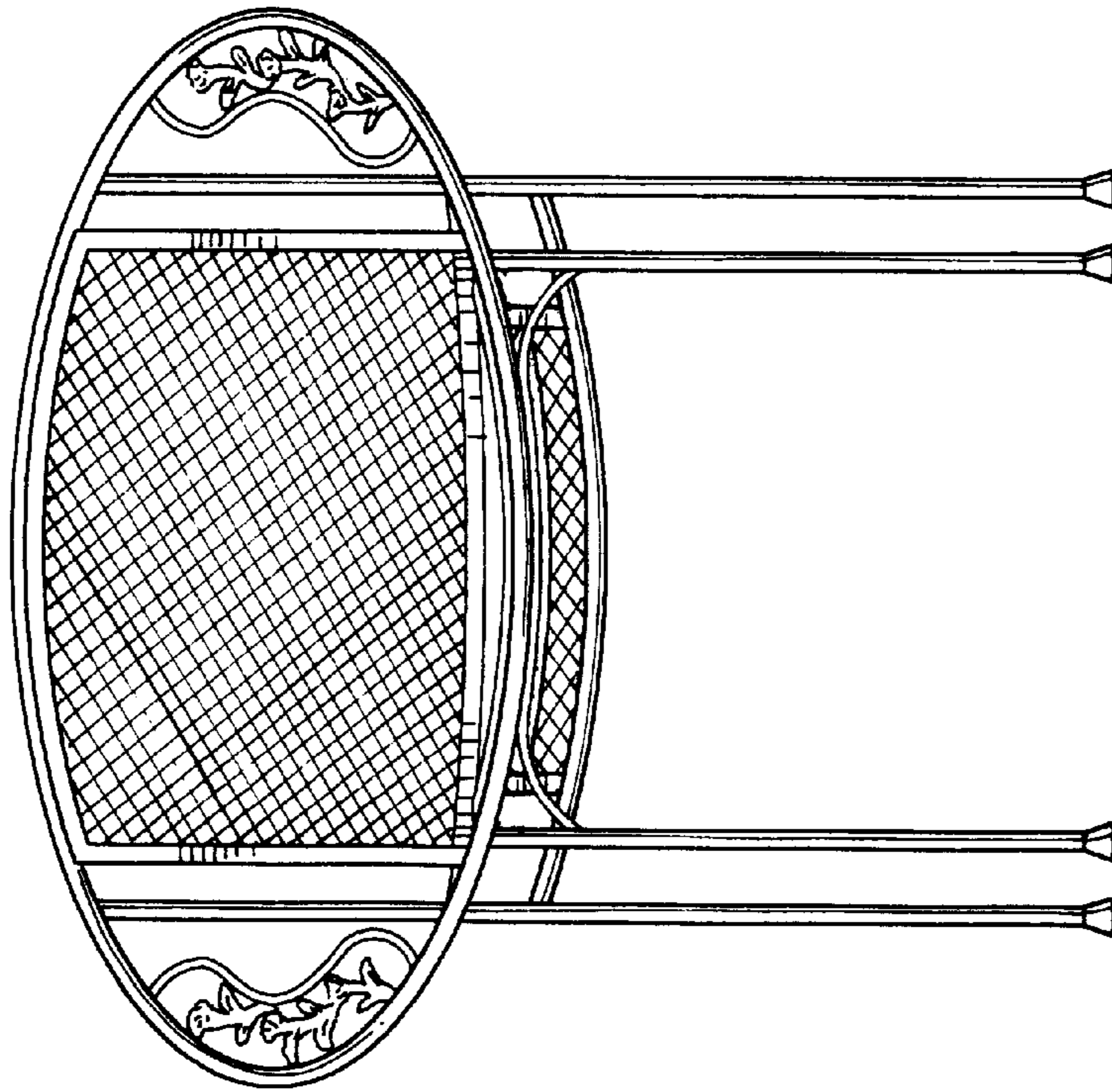


FIG. 2

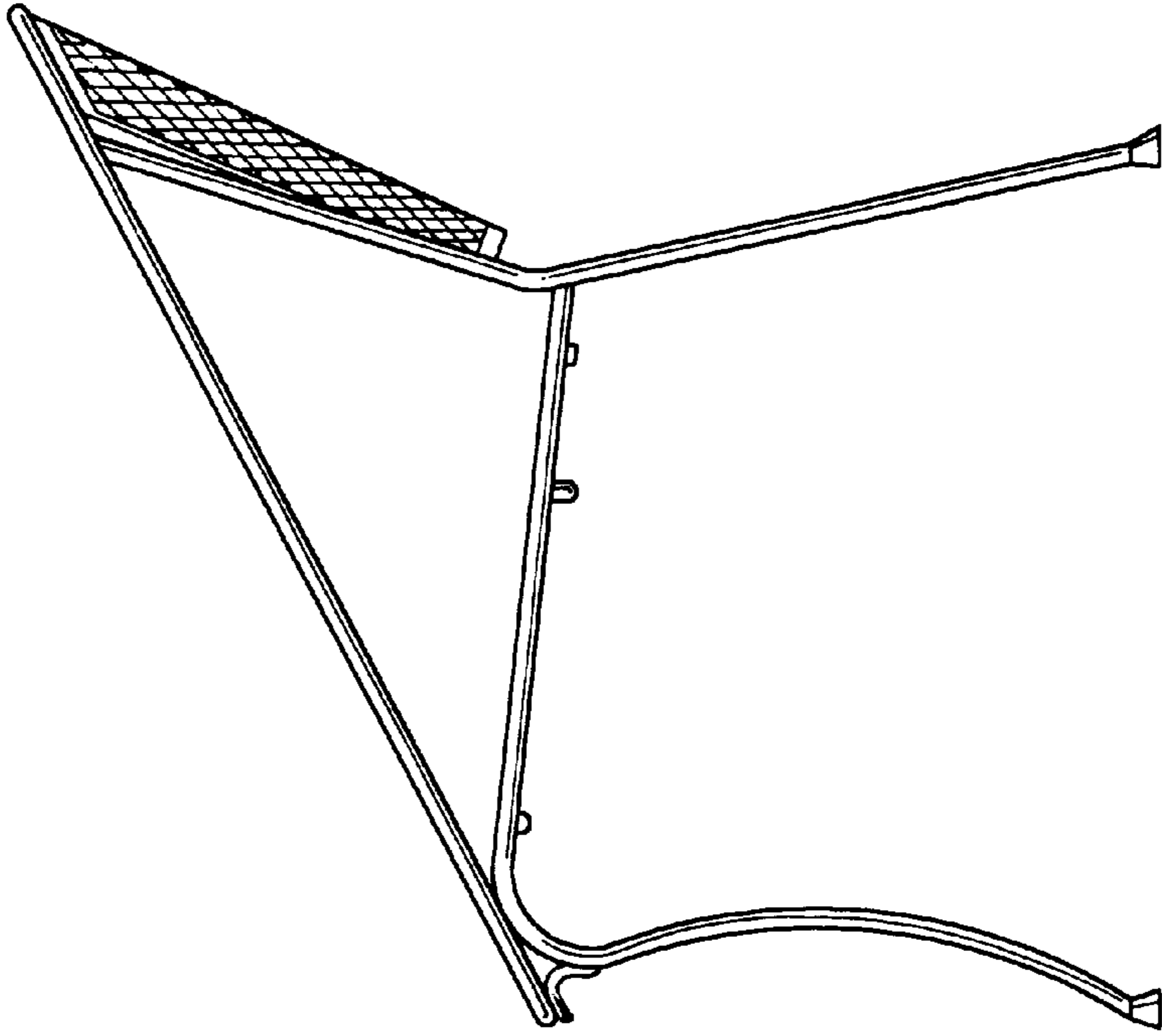


FIG. 5

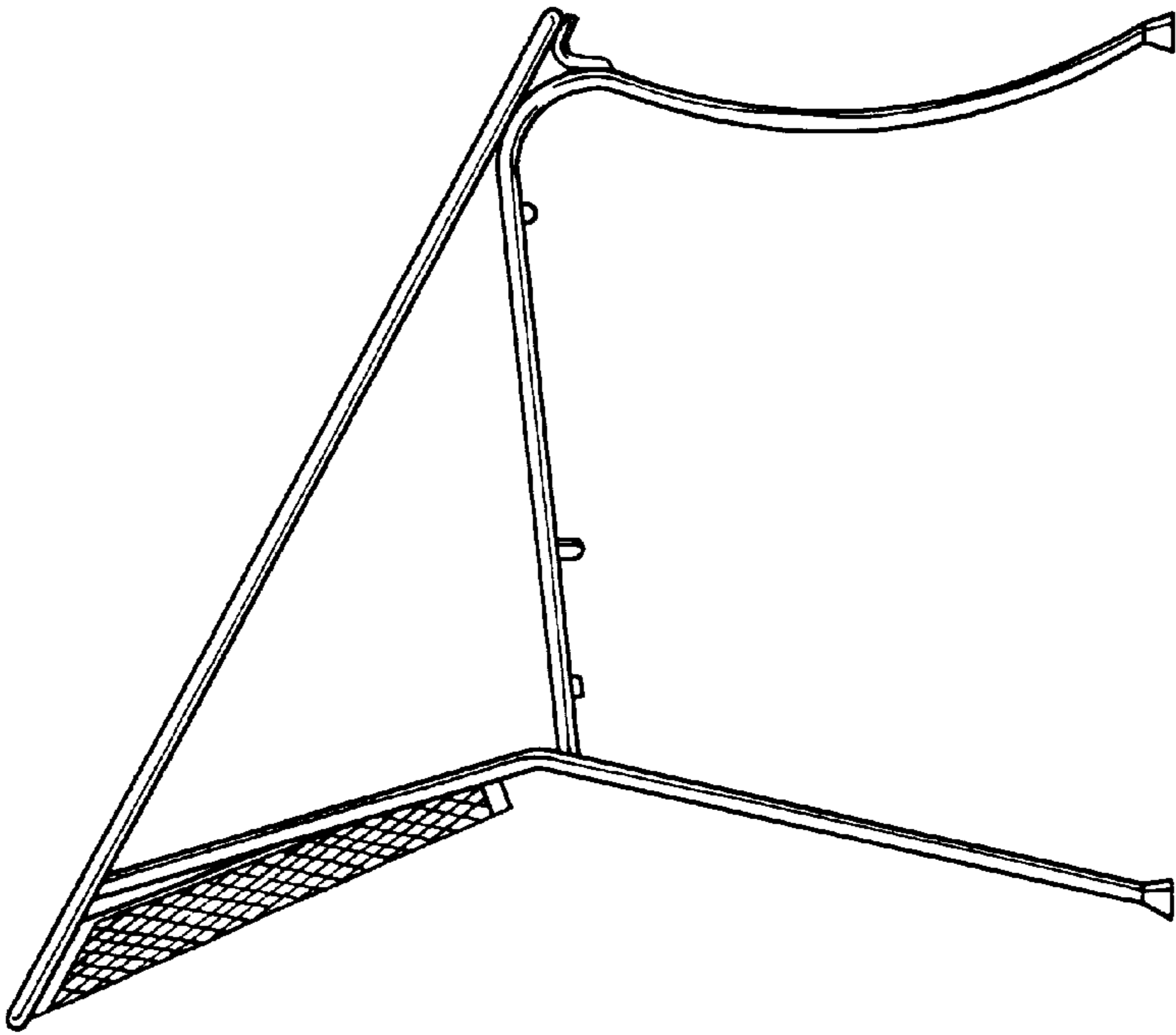


FIG. 4

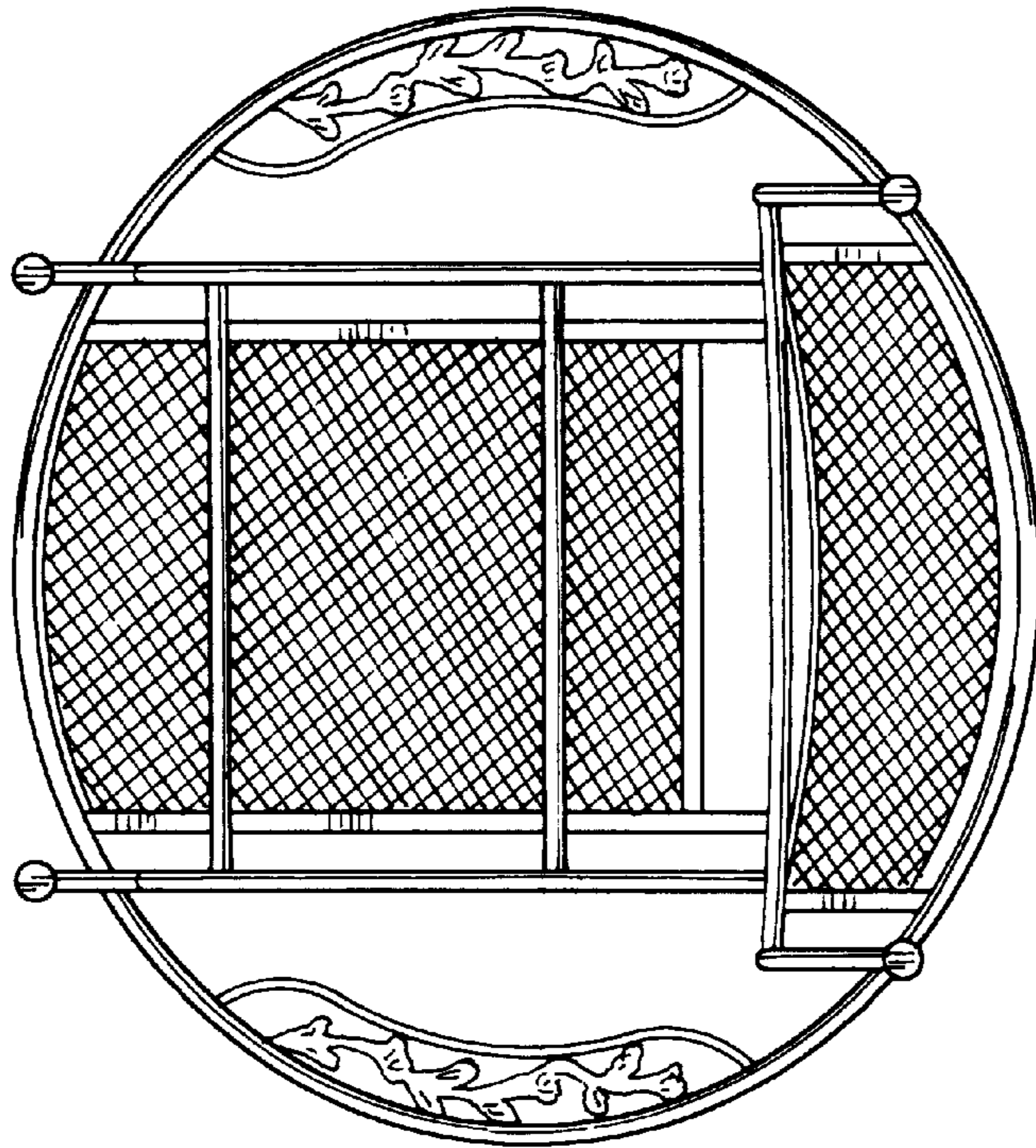


FIG. 7

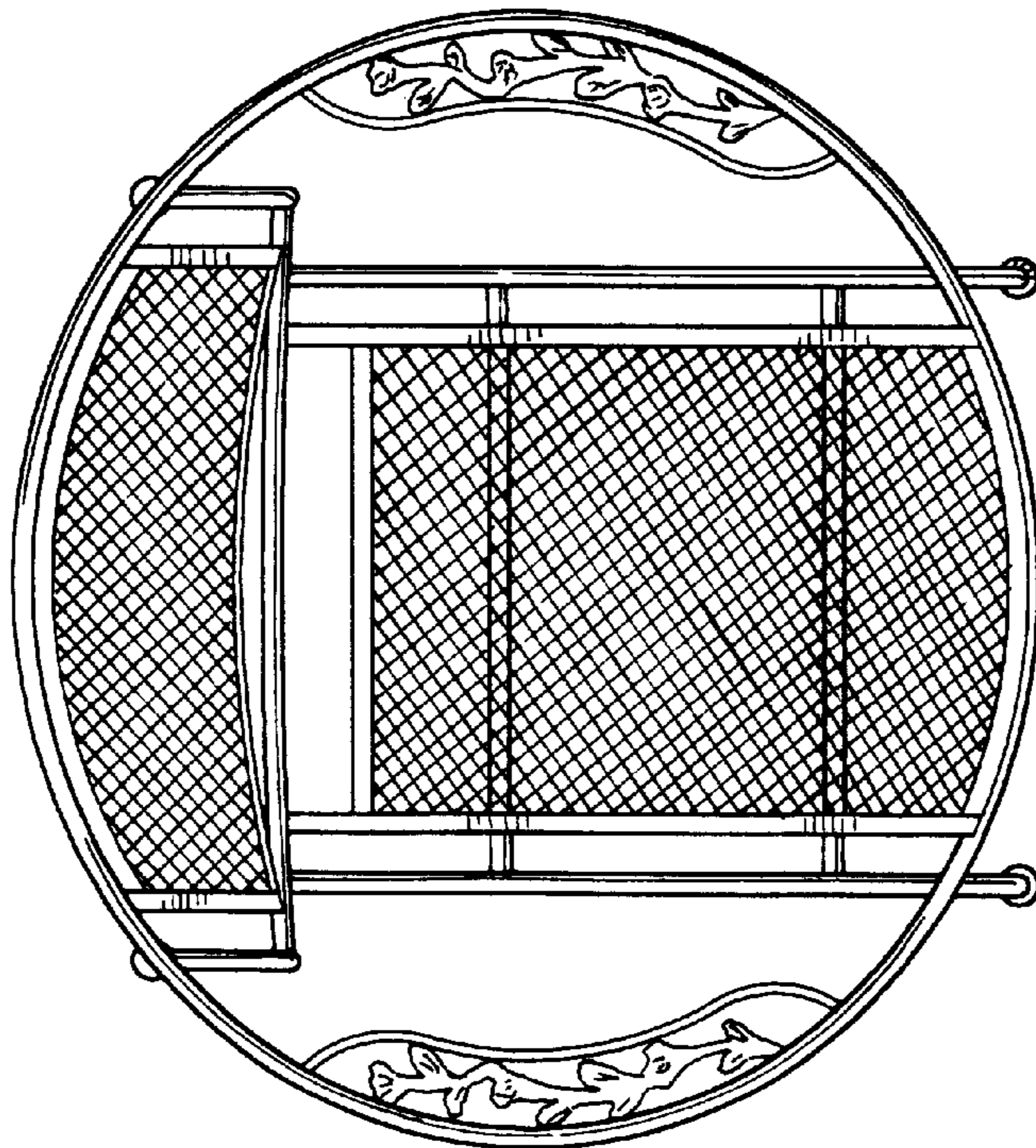


FIG. 6