



US00D427796S

# United States Patent [19] Smith

[11] **Patent Number: Des. 427,796**

[45] **Date of Patent: \*\* Jul. 11, 2000**

[54] **CHAIR FRAME**

[76] Inventor: **Laura Lisa Smith**, 2 Fifth Ave., New York, N.Y. 10011

[\*\*] Term: **14 Years**

[21] Appl. No.: **29/105,968**

[22] Filed: **Jun. 3, 1999**

[51] **LOC (7) Cl. .... 06-01**

[52] **U.S. Cl. .... D6/373; D6/500**

[58] **Field of Search .... D6/329, 334, 371, D6/373, 374, 375, 376, 500; 297/239, 447.3, 448.2, 452.13**

[56] **References Cited**

**U.S. PATENT DOCUMENTS**

D. 81,313	6/1930	Whitman, Jr. ....	D6/379
D. 101,567	10/1936	Vavrik .....	D6/375
D. 255,185	6/1980	Locher .	
D. 271,455	11/1983	Saiger .....	D6/500
D. 286,472	11/1986	Arthur, Jr. ....	D6/379
D. 346,283	4/1994	Kolberg .	

D. 360,083	7/1995	Lohmeyer .	
D. 393,158	4/1998	Smith .	
3,999,802	12/1976	Powers .....	297/447.3
4,522,444	6/1985	Pollock .	
4,648,653	3/1987	Rowland .	

*Primary Examiner*—Jeffrey Asch  
*Assistant Examiner*—Mimosa De  
*Attorney, Agent, or Firm*—Collard & Roe, P.C.

[57] **CLAIM**

The ornamental design for a chair frame, as shown and described.

**DESCRIPTION**

FIG. 1 is a perspective view of our new design showing the chair frame;  
FIG. 2 is a front view thereof;  
FIG. 3 is a rear view thereof;  
FIG. 4 is a left-side view thereof, the right-side view being identical;  
FIG. 5 is a bottom view thereof; and,  
FIG. 6 is a top view thereof.

**1 Claim, 6 Drawing Sheets**

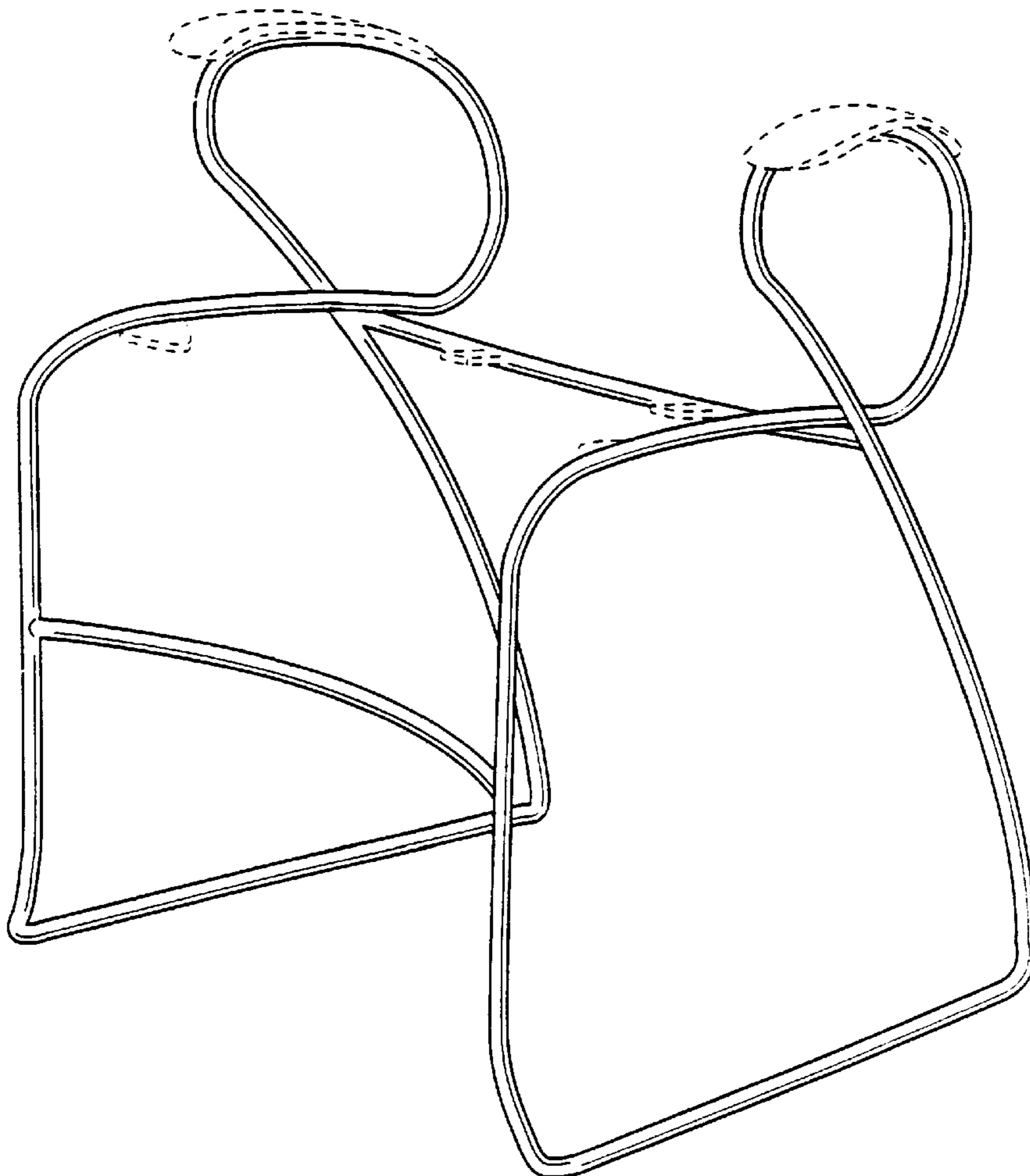


FIG. 1

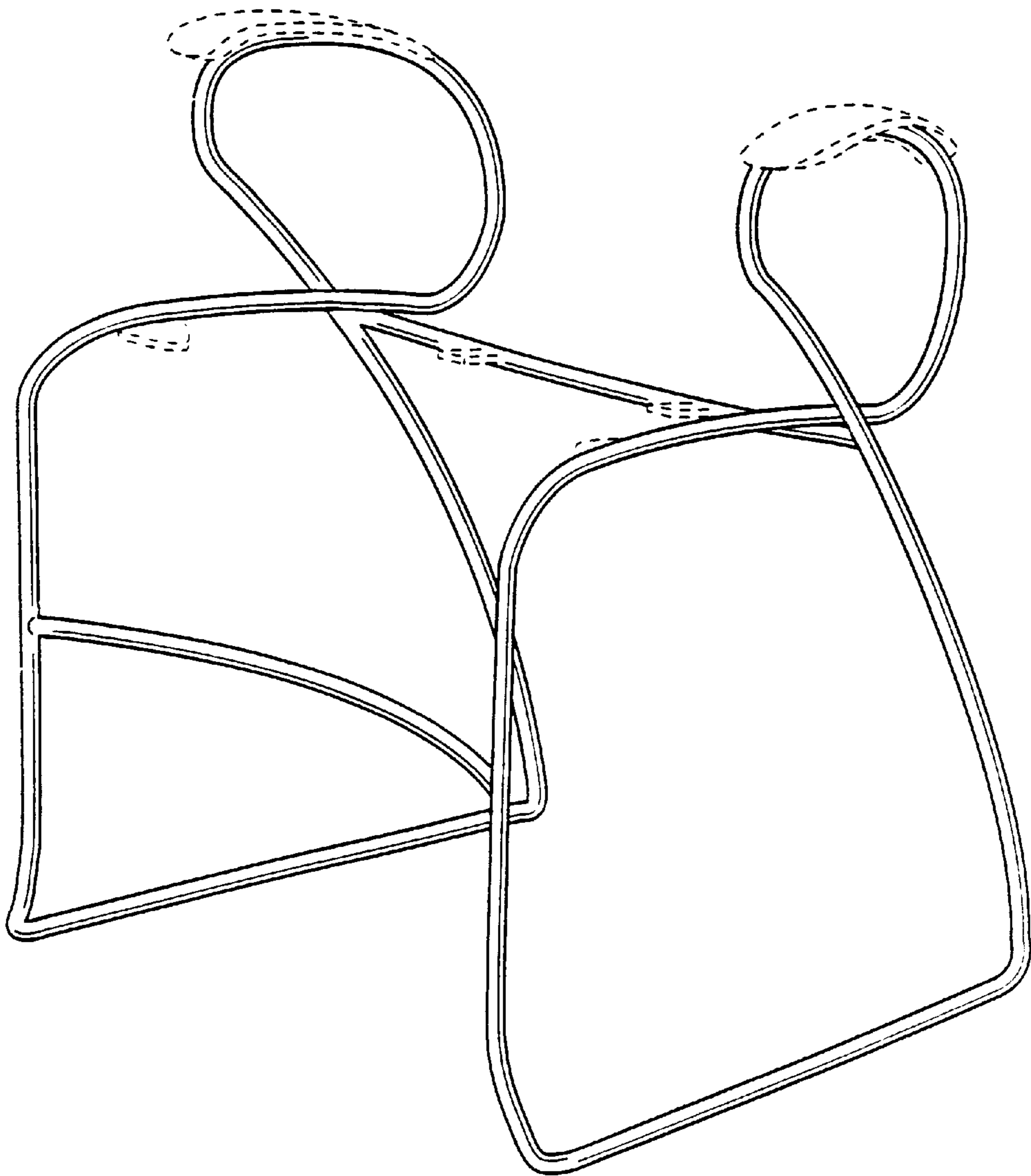


FIG. 2

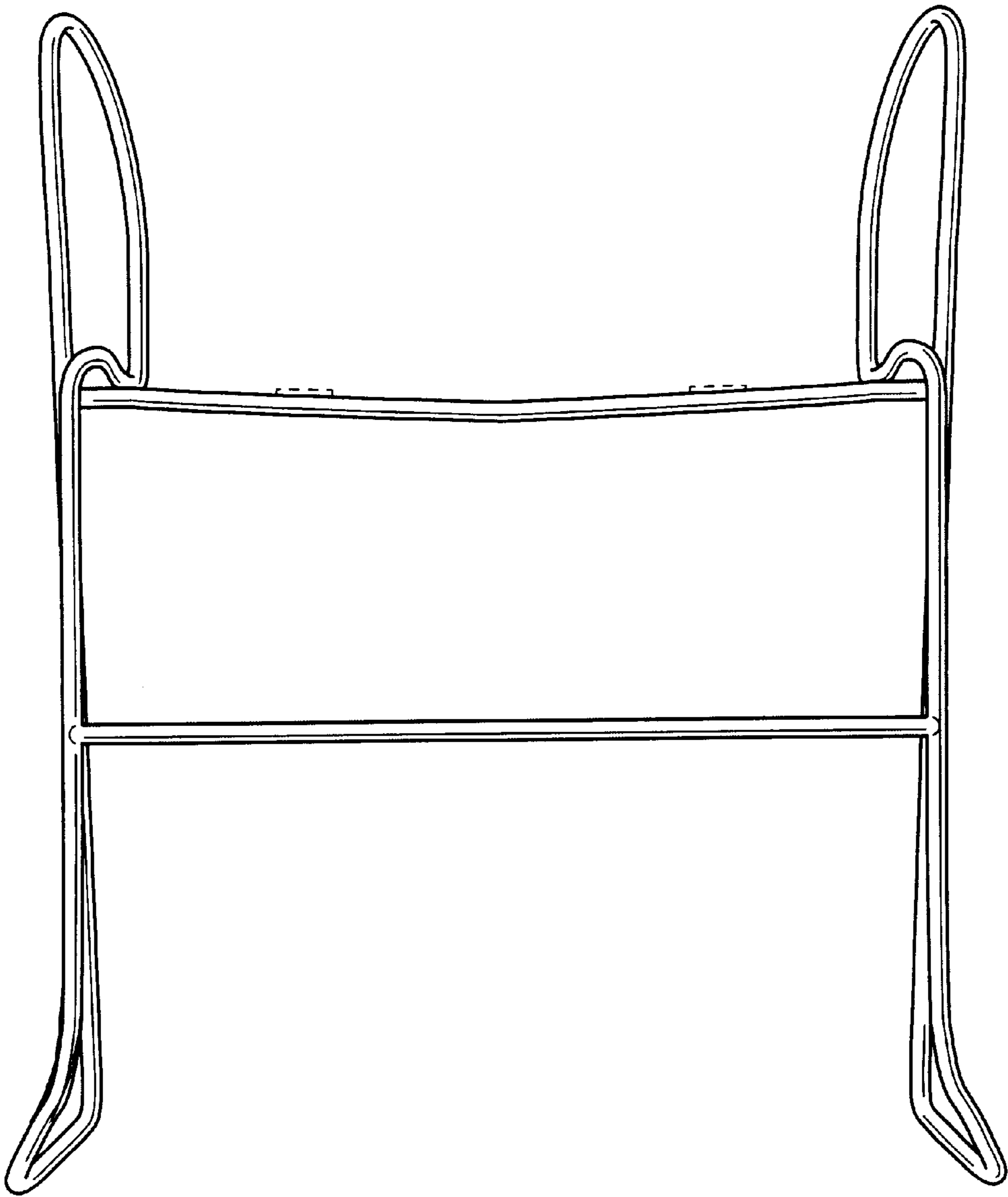


FIG. 3

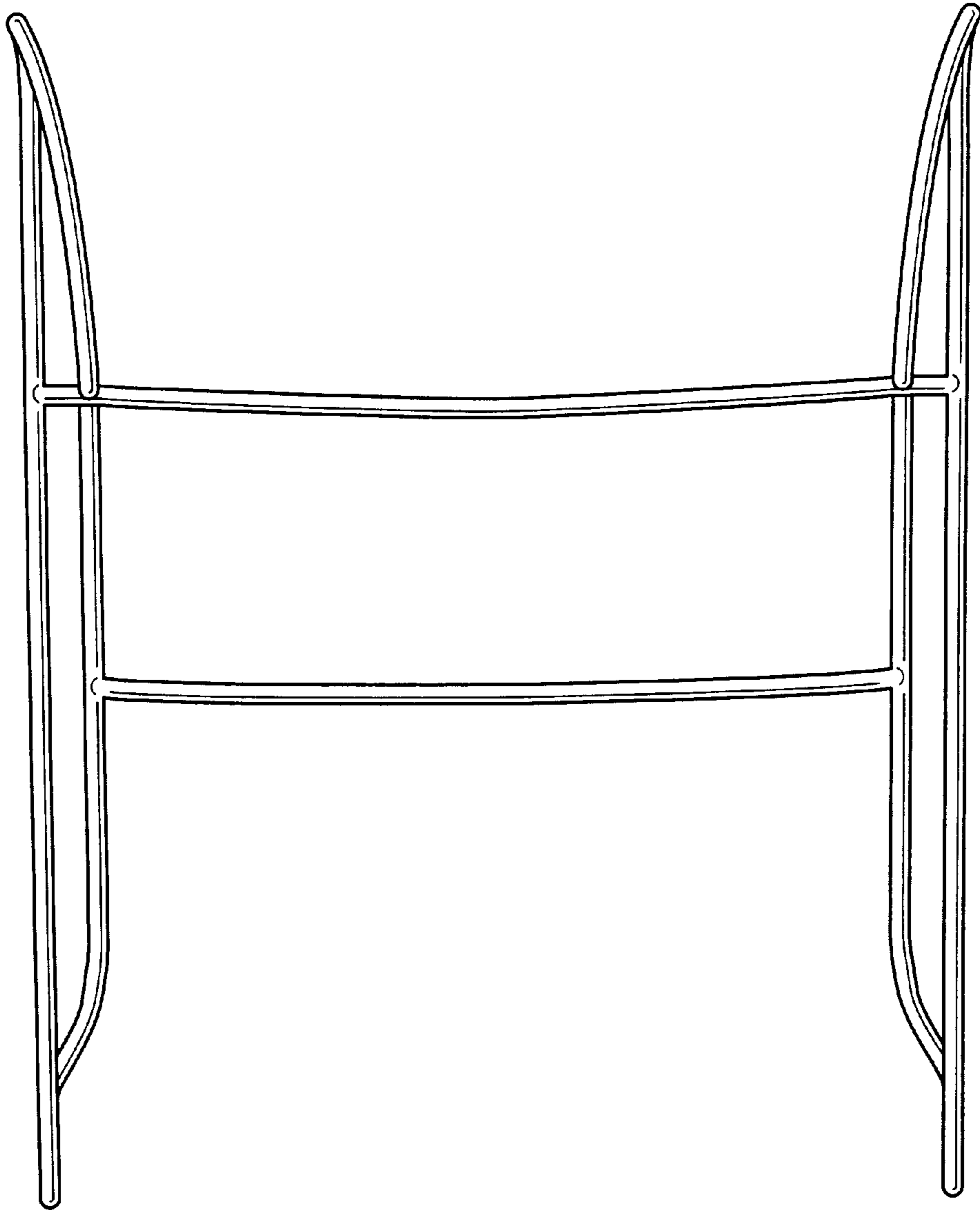


FIG. 4

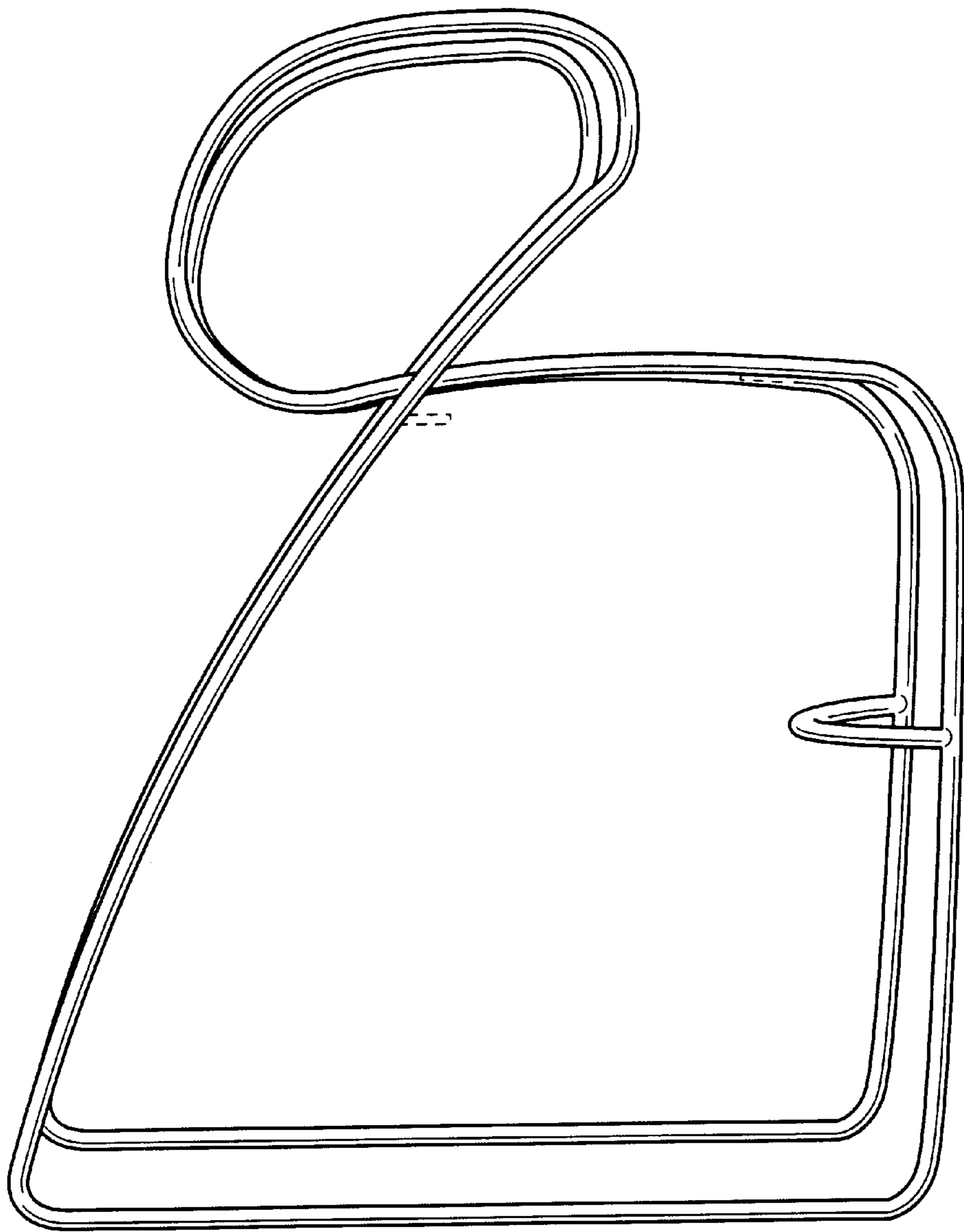


FIG. 5

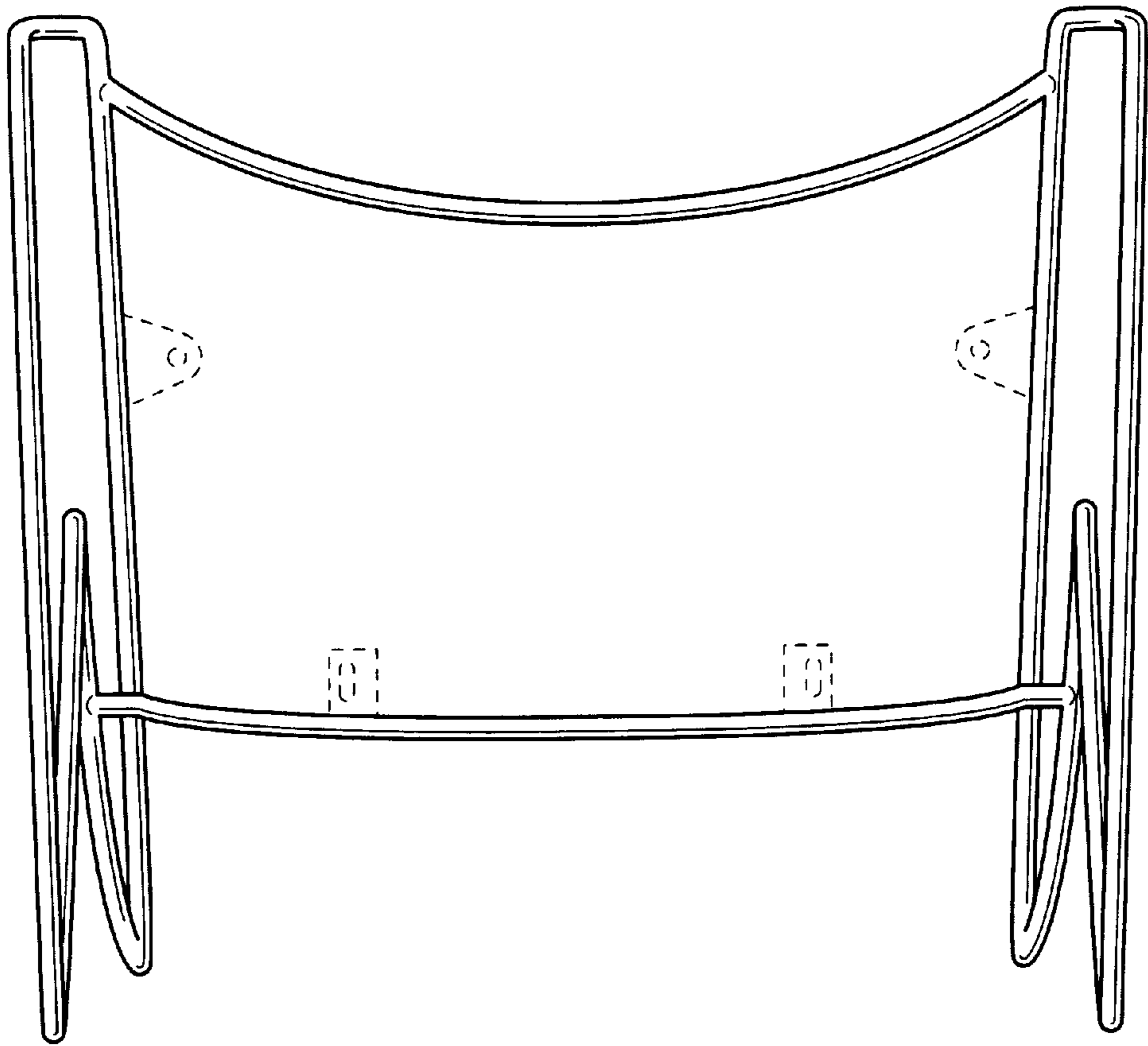


FIG. 6

