



US00D427794S

United States Patent [19] van Rhienen

[11] Patent Number: **Des. 427,794**

[45] Date of Patent: **** Jul. 11, 2000**

[54] **LOUNGE CHAIR**

[75] Inventor: **Alphons van Rhienen**, Schoten, Belgium

[73] Assignee: **Euro United Corporation**, Oakville, Canada

[**] Term: **14 Years**

[21] Appl. No.: **29/105,098**

[22] Filed: **May 18, 1999**

[51] **LOC (7) Cl.** **06-01**

[52] **U.S. Cl.** **D6/368; D6/369; D6/379**

[58] **Field of Search** D6/334, 335, 367, D6/368, 369, 370, 374, 375, 379, 380, 500, 501, 502; 297/27, 28, 34, 35, 359

[56] **References Cited**

U.S. PATENT DOCUMENTS

D. 335,776	5/1993	Lamalle	D6/368
D. 363,384	10/1995	Grosfillex	D6/368
D. 366,369	1/1996	Sagol	D6/368
D. 370,133	5/1996	Grosfillex	D6/368
D. 370,357	6/1996	Grosfillex	D6/368
D. 373,478	9/1996	Grosfillex	.	
D. 403,872	1/1999	Grosfillex	D6/368
4,749,232	6/1988	Guichon	.	
4,792,181	12/1988	Guichon	.	

OTHER PUBLICATIONS

“Creez Votre, Propre Decor De Jardin” Sears Catalog, May 1991.

Primary Examiner—Doris V. Coles
Assistant Examiner—Mimosa De
Attorney, Agent, or Firm—Barrigar & Moss

[57] **CLAIM**

The ornamental design for lounge chair, as shown and described.

DESCRIPTION

FIG. 1 is a perspective view of the design in a first upright position, this view taken from above and showing the right side thereof;

FIG. 2 is a front view of the design in said first position;

FIG. 3 is a back view of the design in said first position;

FIG. 4 is a right side view of the design in said first position, the left side view being the mirror image of the right side;

FIG. 5 is a top view of the design in said first position;

FIG. 6 is a perspective view of the design in a second reclined position, this view taken from above and showing the right side thereof;

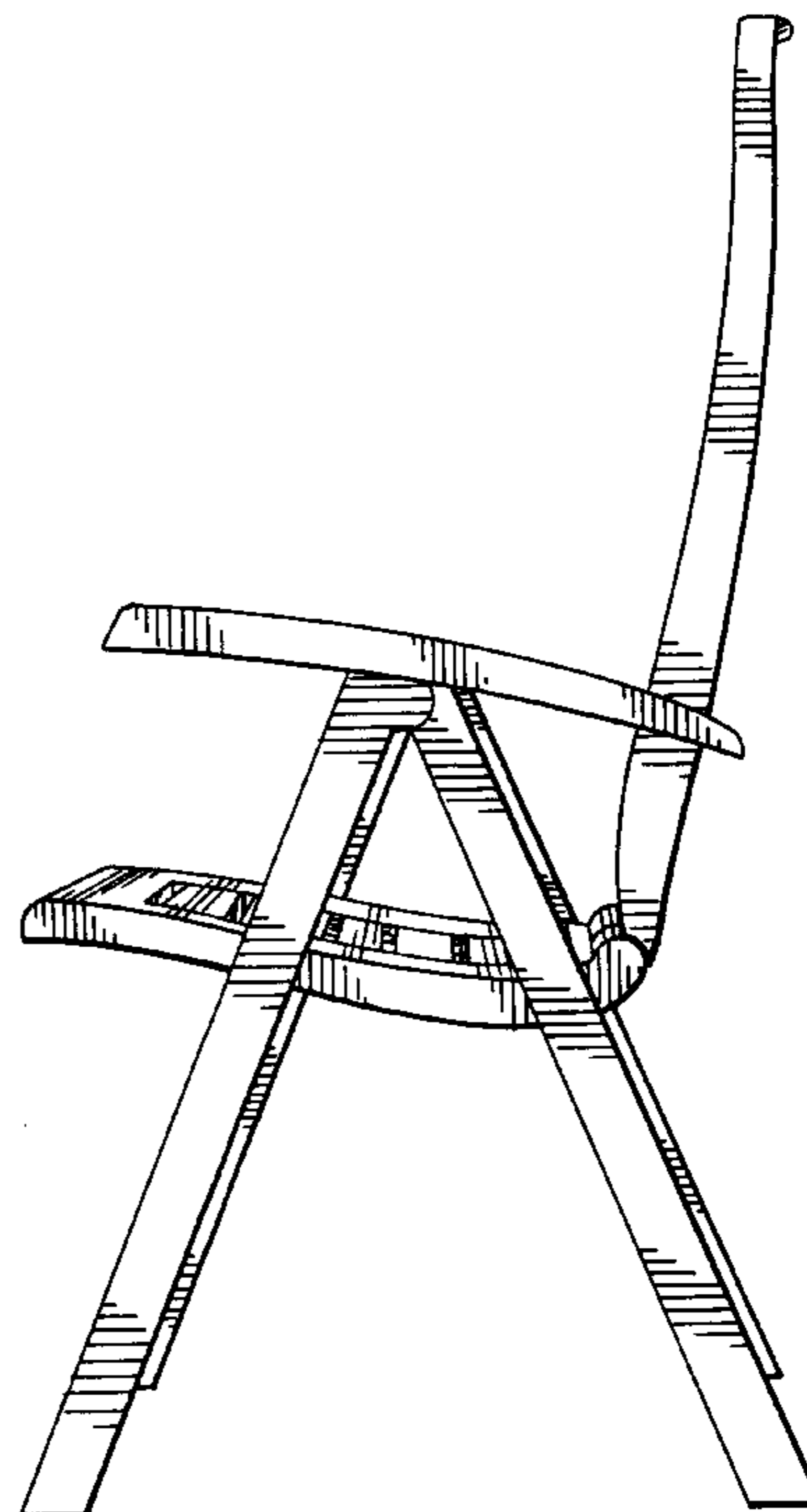
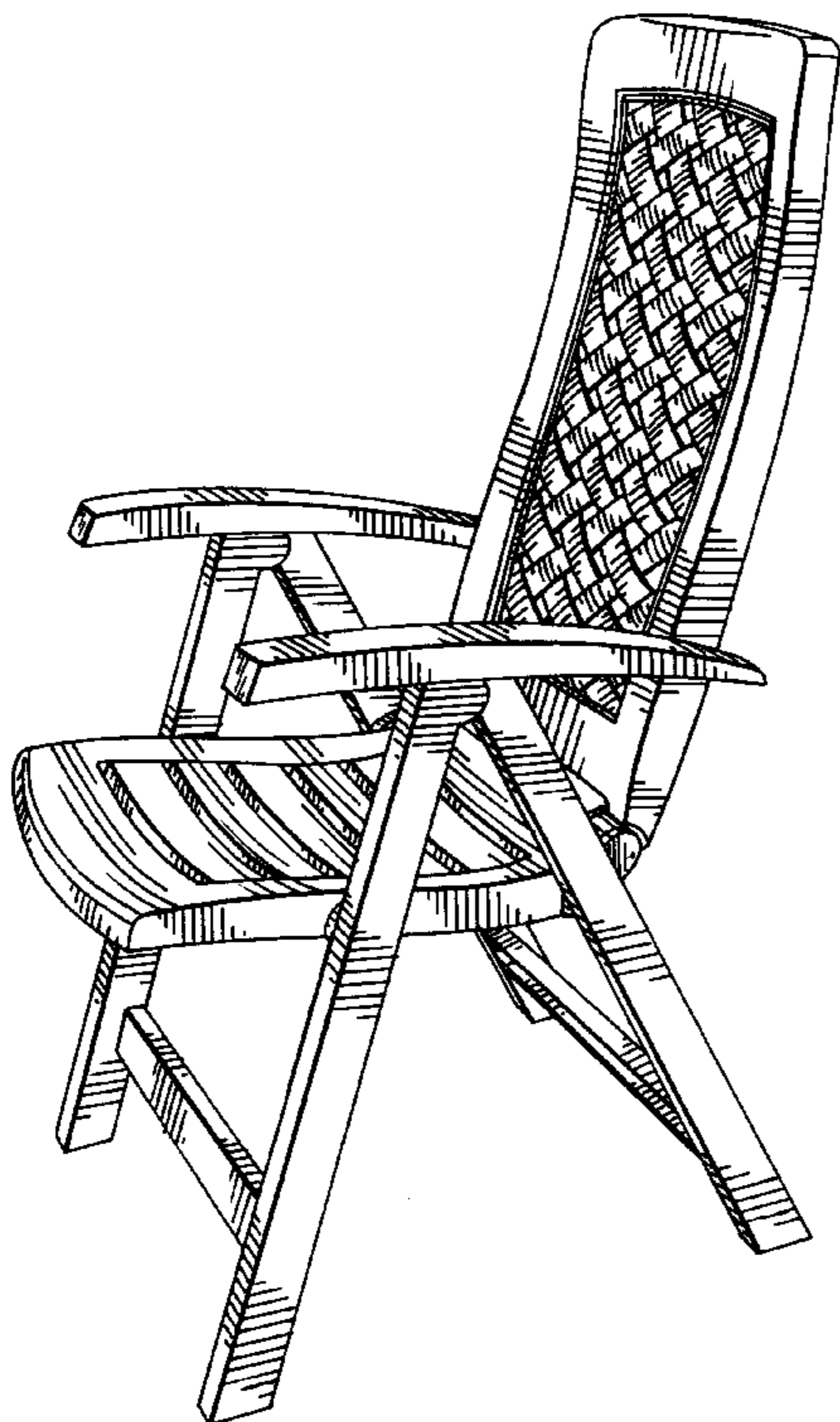
FIG. 7 is a front view of the design in said second position;

FIG. 8 is a back view of the design in said second position;

FIG. 9 is a right side view of the design in said second position, the left side view being the mirror image of the right side; and,

FIG. 10 is a top view of the design in said second position.

1 Claim, 6 Drawing Sheets



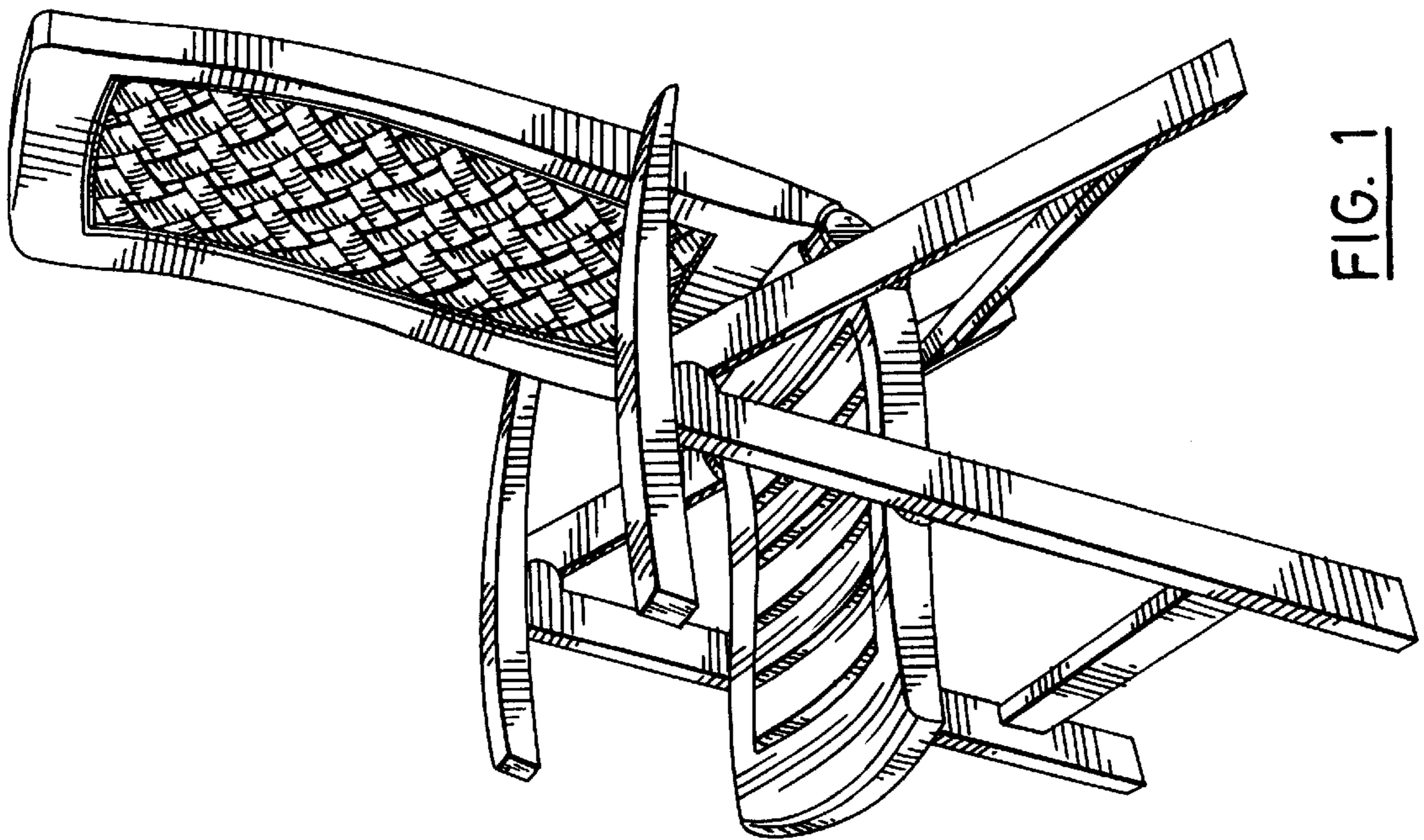


FIG. 1

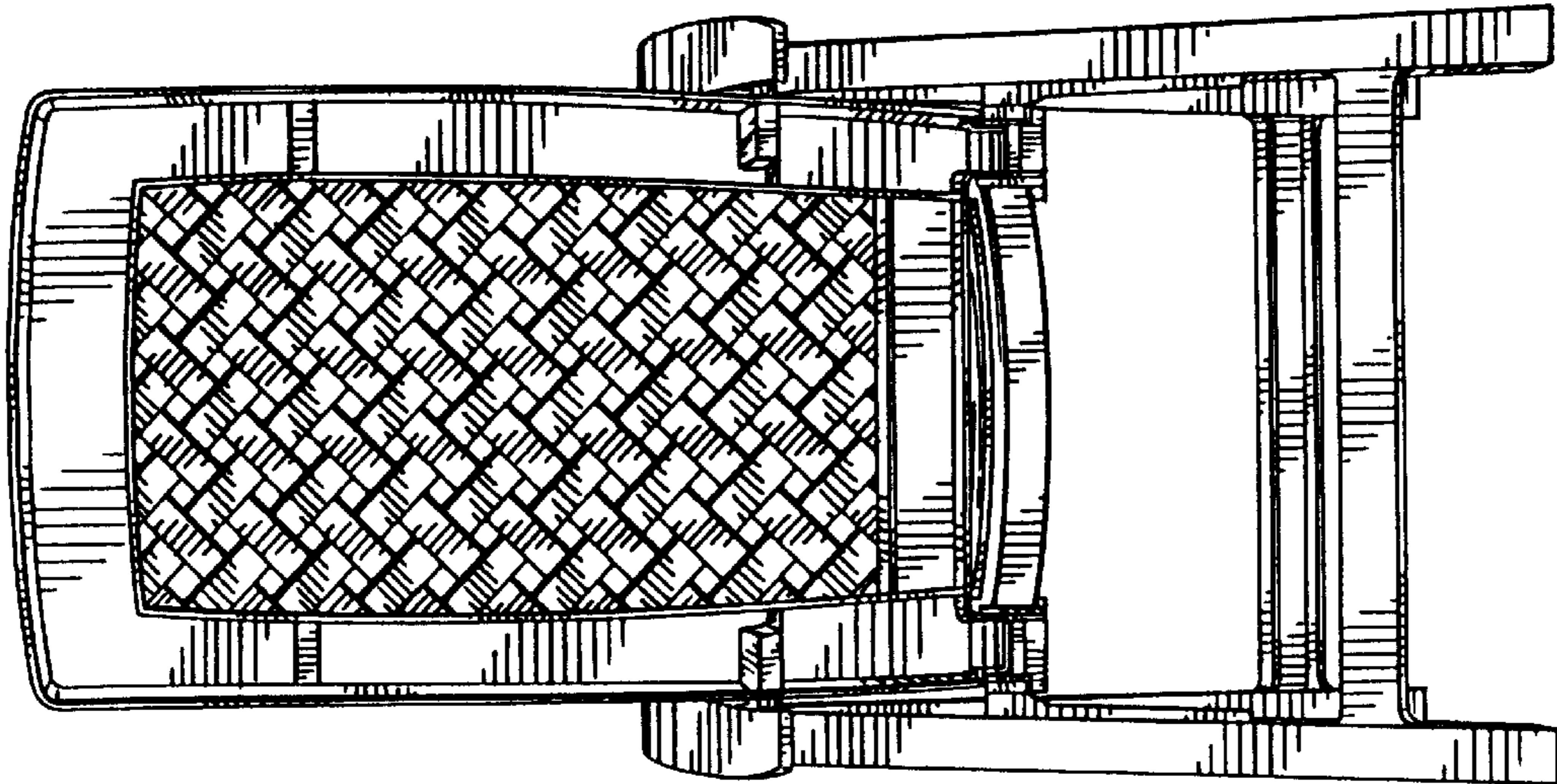


FIG. 3

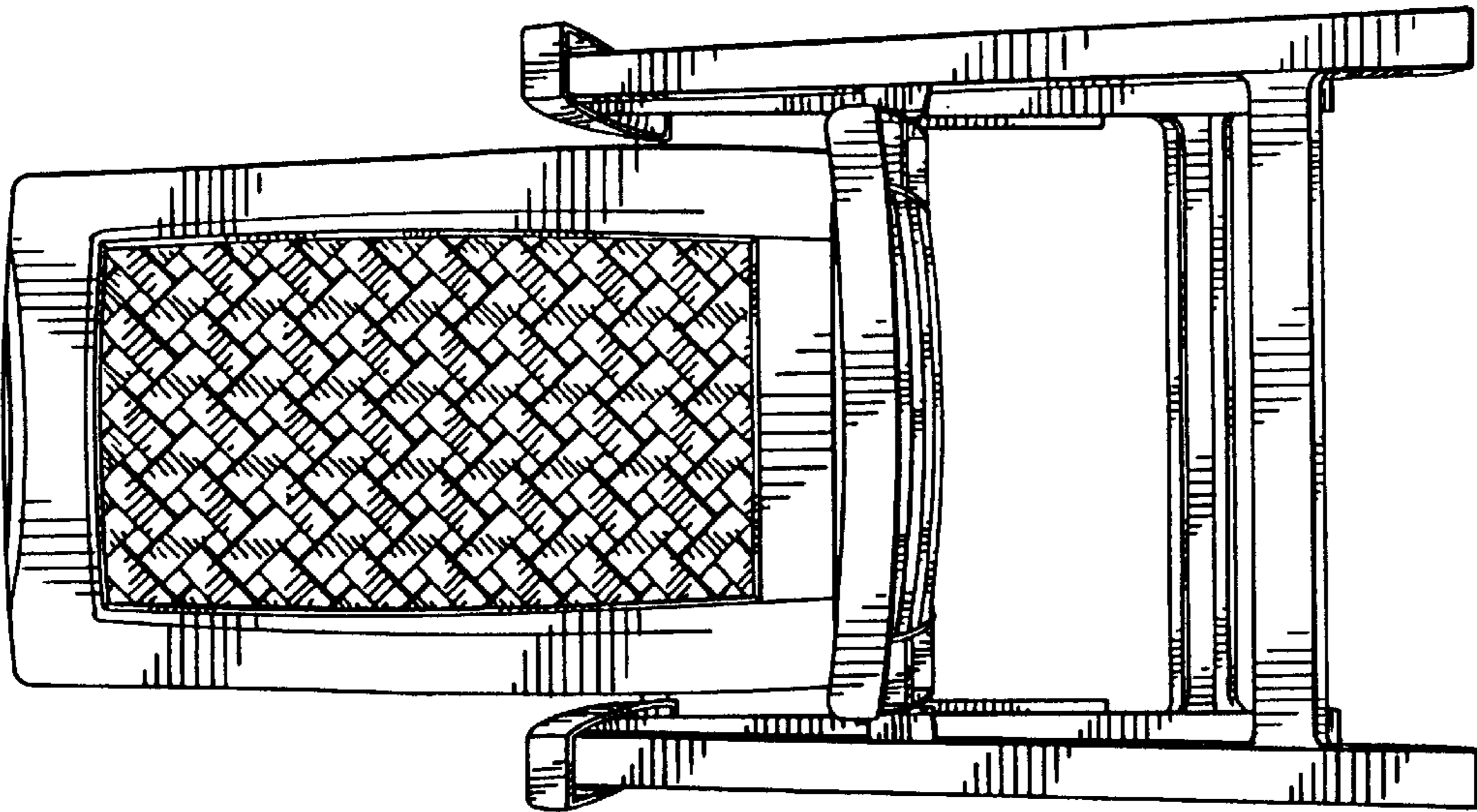


FIG. 2

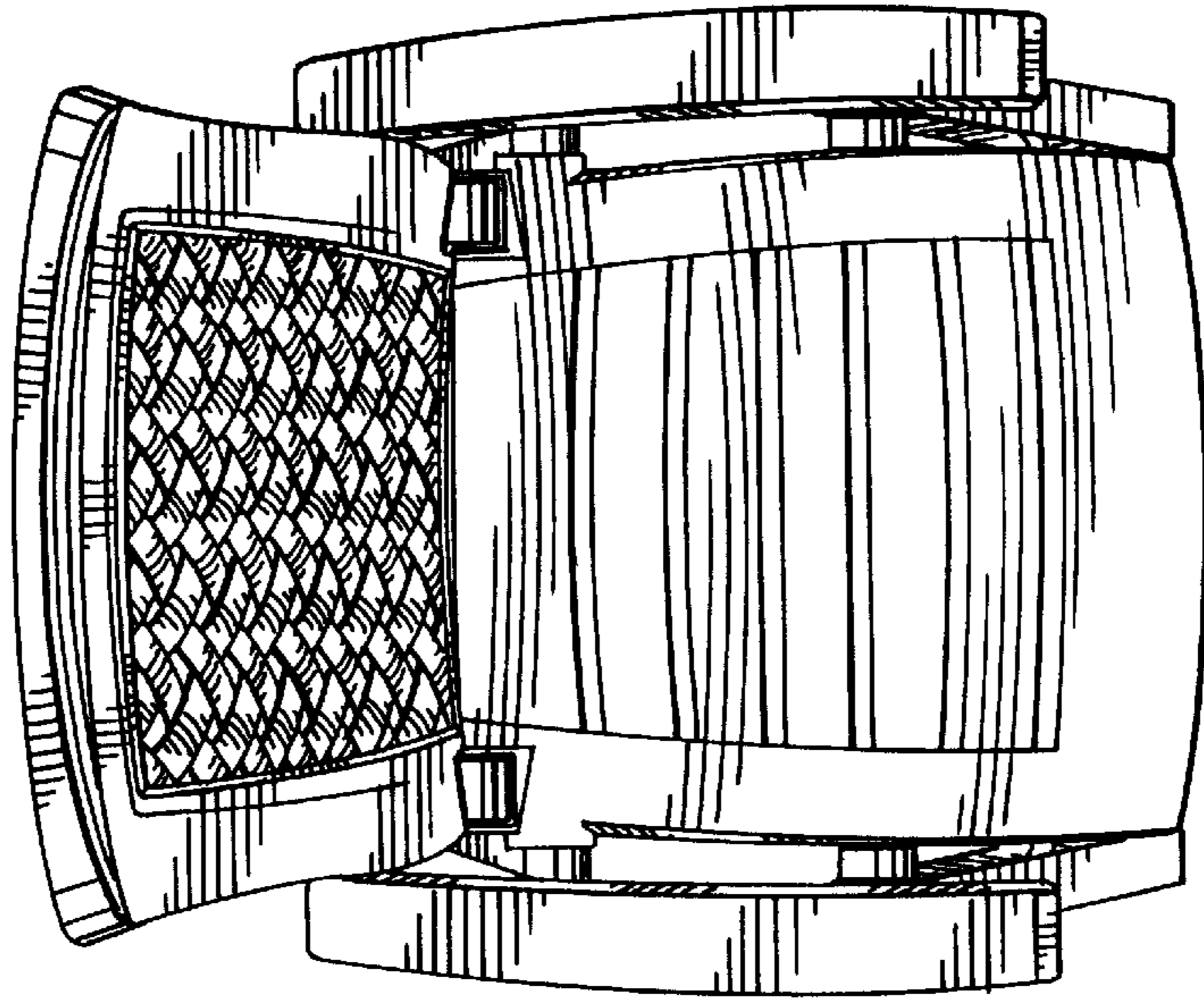


FIG. 5

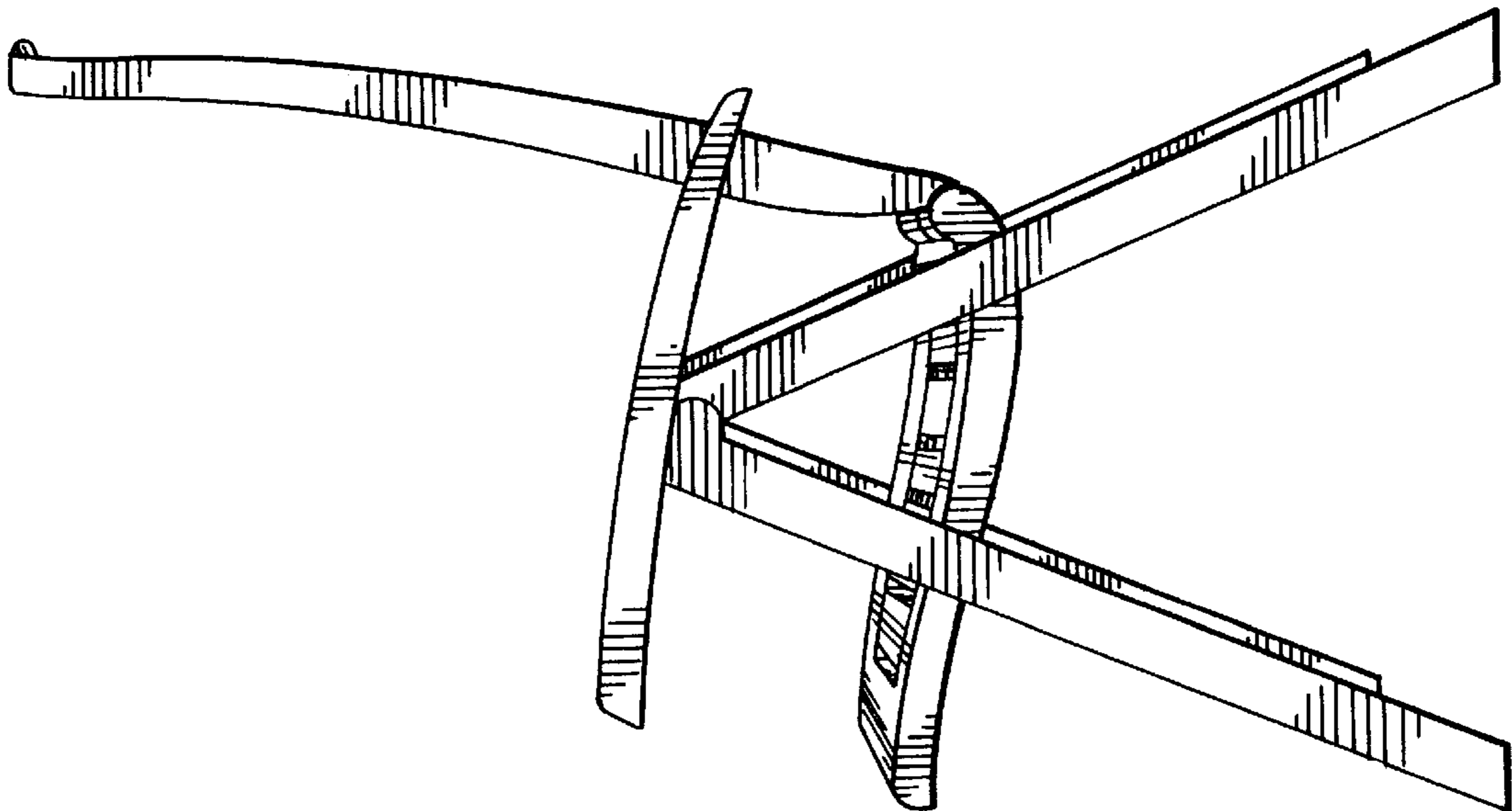


FIG. 4

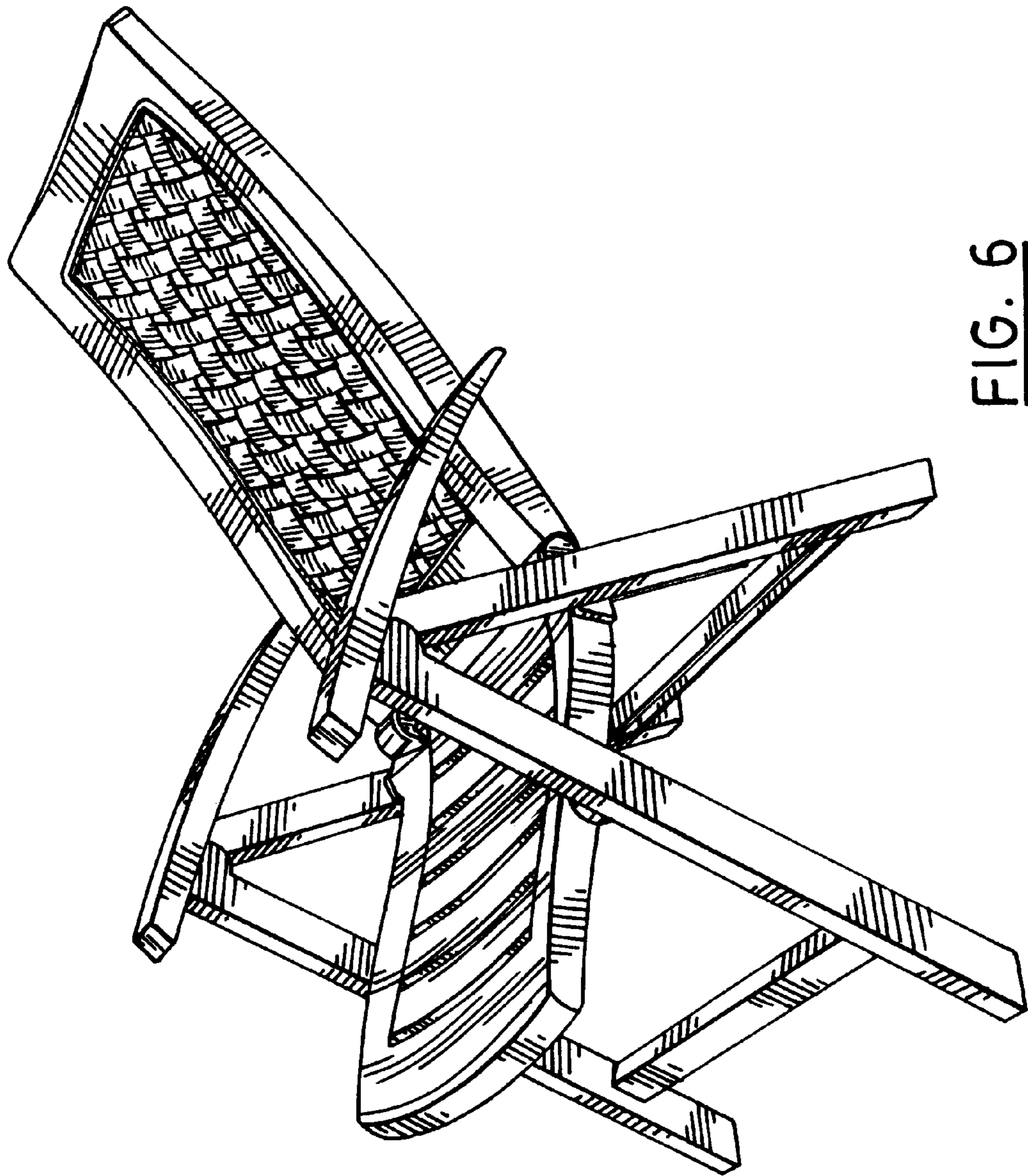


FIG. 6

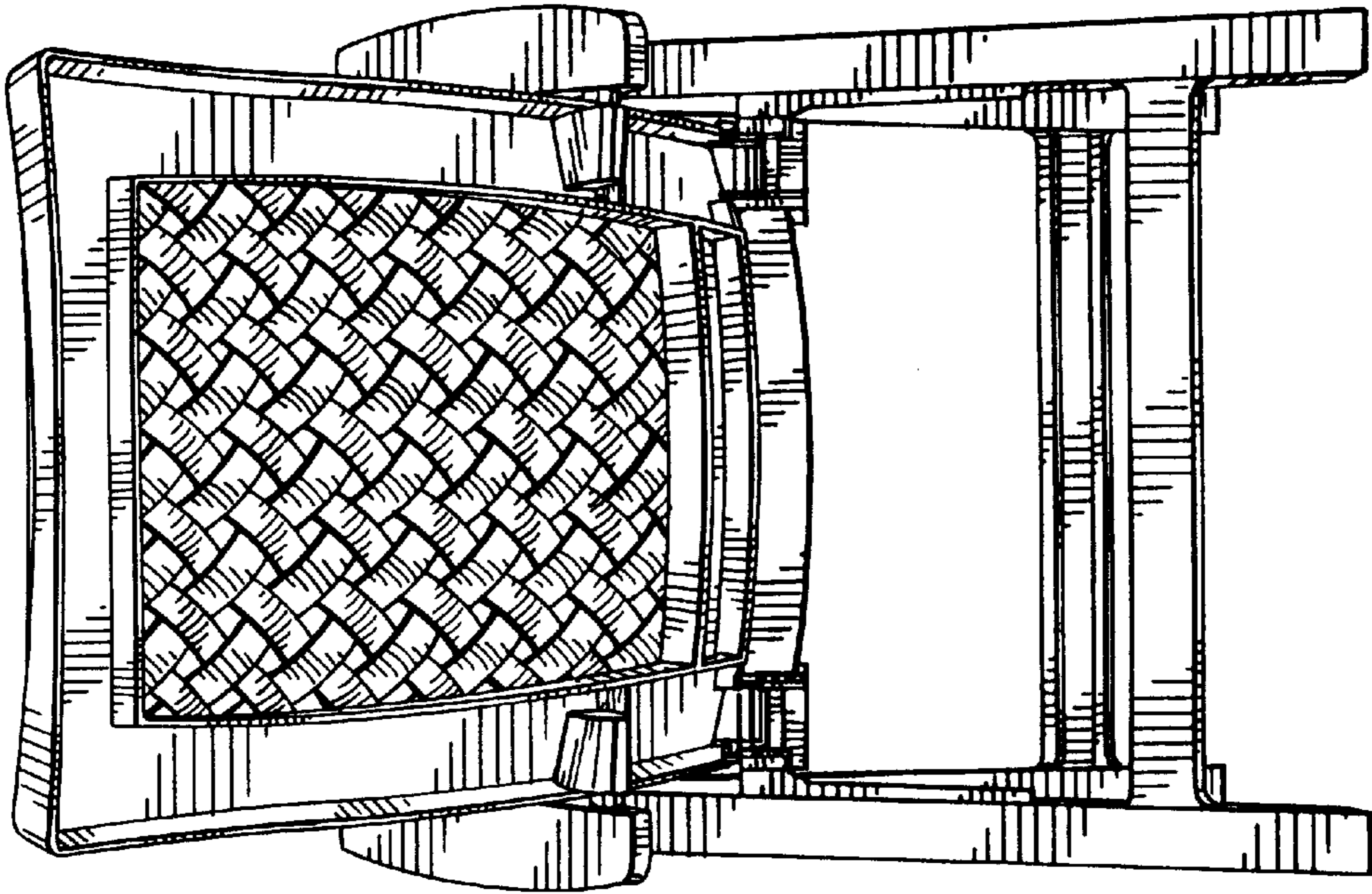


FIG. 8

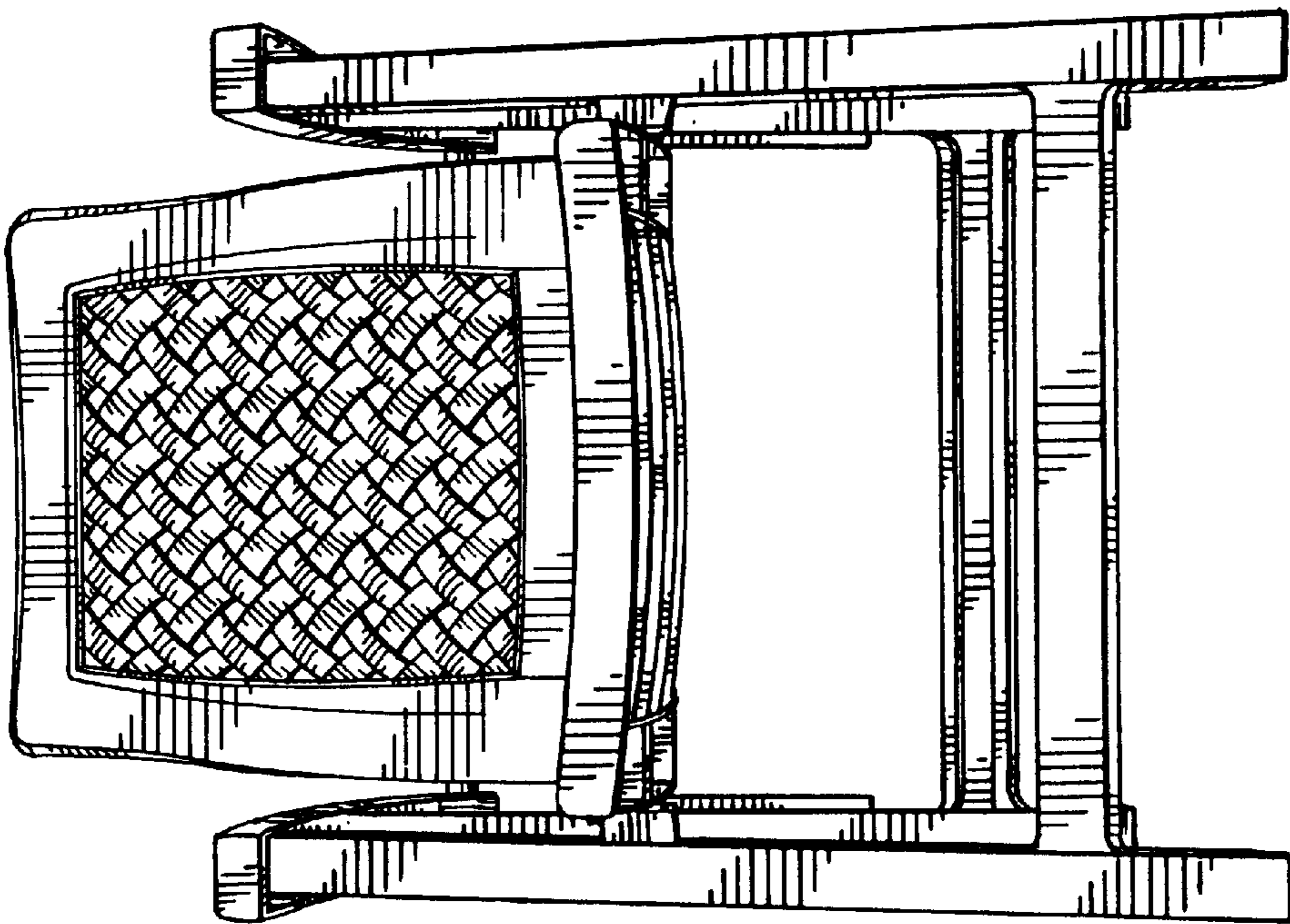


FIG. 7

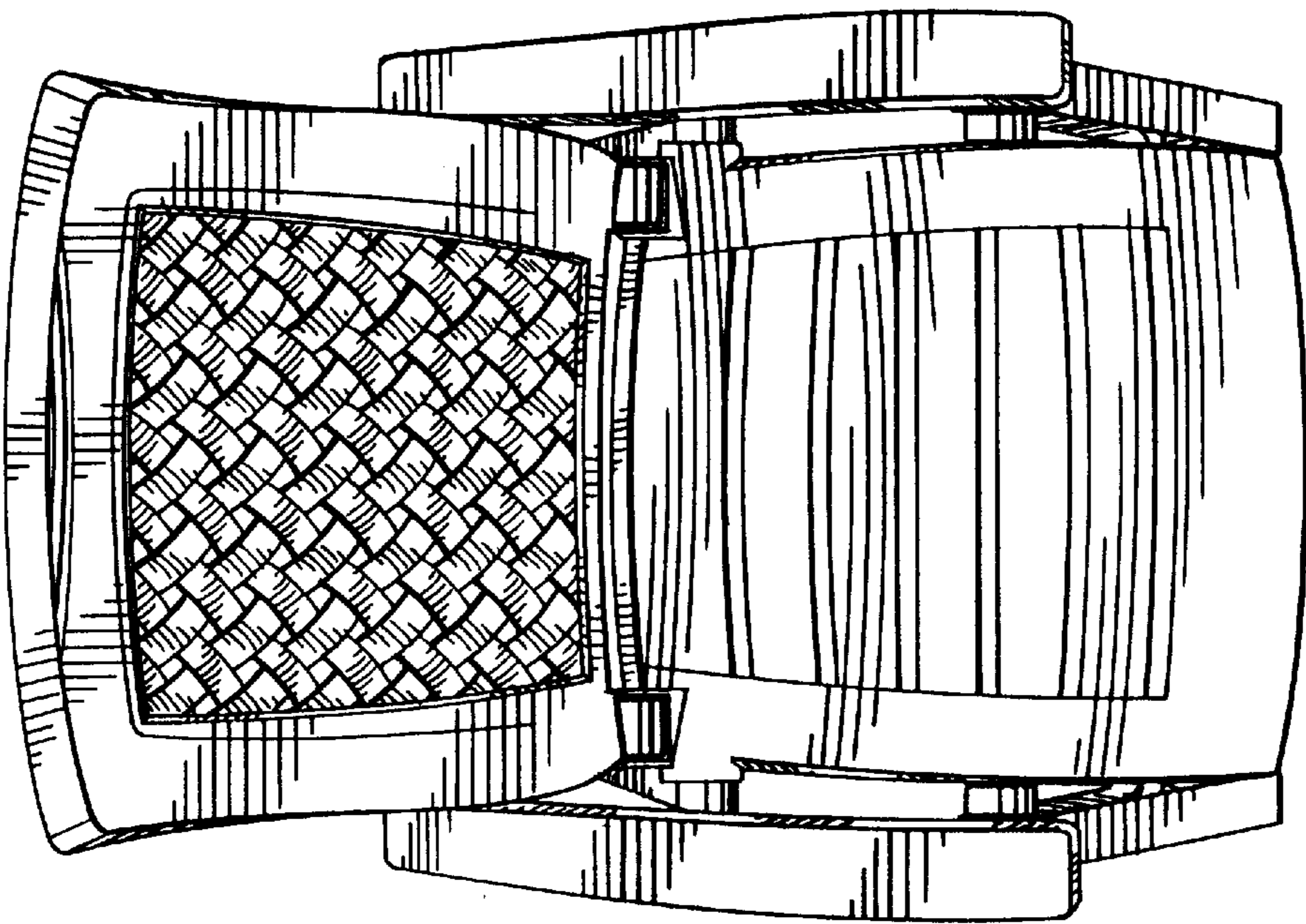


FIG. 10

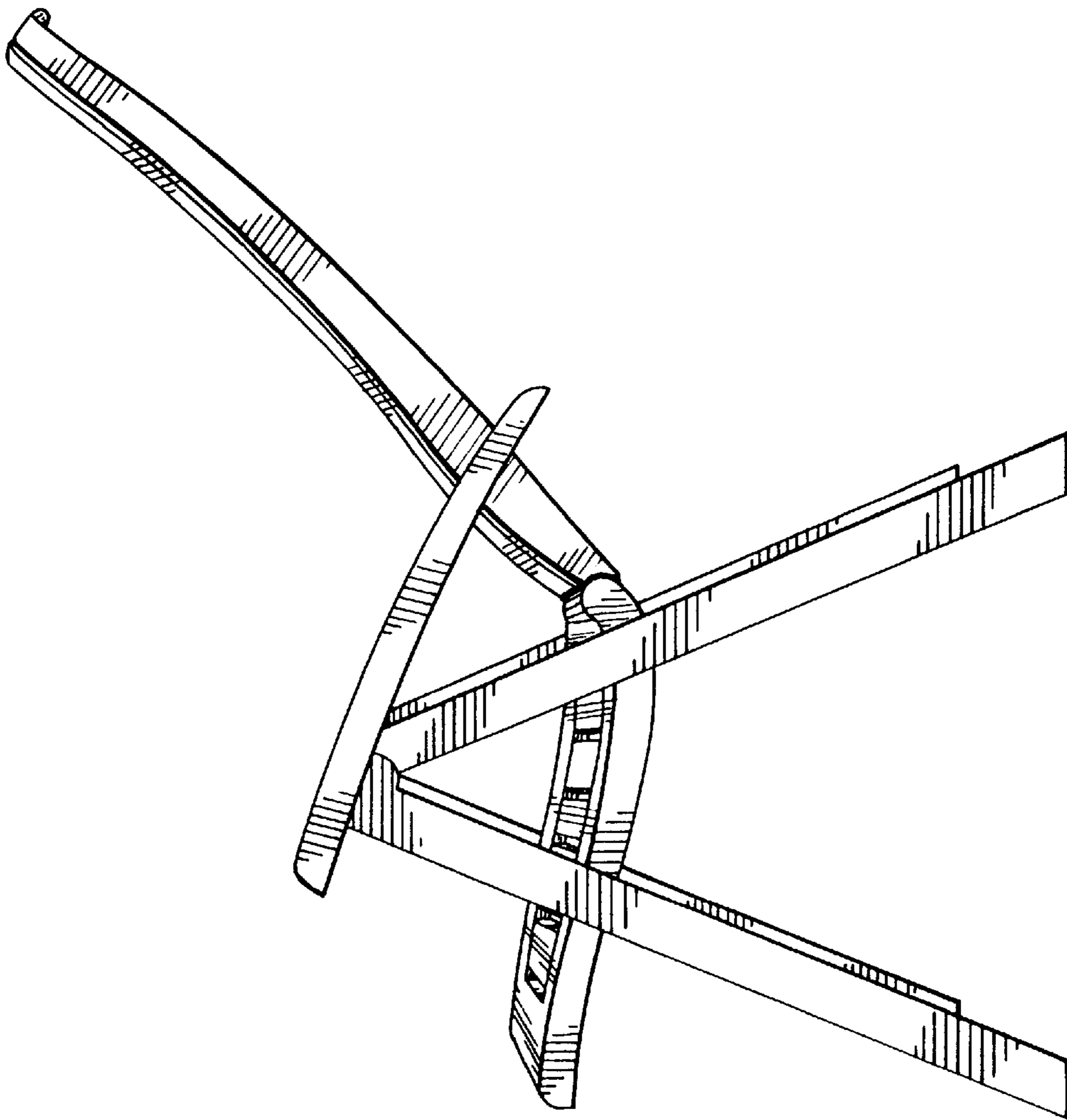


FIG. 9