



US00D427785S

United States Patent [19] Kassai

[11] **Patent Number: Des. 427,785**
[45] **Date of Patent: ** Jul. 11, 2000**

[54] **CHILD SEAT FOR VEHICLES**

[75] Inventor: **Kenzou Kassai**, Osaka, Japan

[73] Assignee: **Aprica Kassai Kabushikikaisha**,
Osaka, Japan

[**] Term: **14 Years**

[21] Appl. No.: **29/108,401**

[22] Filed: **Jul. 27, 1999**

[30] **Foreign Application Priority Data**

Feb. 5, 1999 [JP] Japan 11-002657

[51] **LOC (7) Cl.** **06-01**

[52] **U.S. Cl.** **D6/333**

[58] **Field of Search** D6/333, 334, 335,
D6/336, 356, 367, 368, 500-502; D12/129;
297/250.1, 256.12, 256.13, 256.15, 256.16,
256.17, 253, 254, 255, 216.1, 467-468,
487, 488

[56] **References Cited**

U.S. PATENT DOCUMENTS

D. 287,670 1/1987 Kassai D6/333
D. 311,281 10/1990 Meeker D6/333
D. 315,453 3/1991 Takada D6/333
D. 334,847 4/1993 Takahashi et al. D6/333

D. 338,343 8/1993 Grange D6/333
D. 342,616 12/1993 Gunji et al. D6/333
D. 356,690 3/1995 Kassai D6/333
D. 366,965 2/1996 Meeker et al. D6/333
D. 383,912 9/1997 Meeker et al. D6/333
D. 405,277 2/1999 Onishi et al. D6/333
D. 411,375 6/1999 Onishi et al. D6/333

OTHER PUBLICATIONS

Car seats #6 and #21 , p. 587, Service Merchandise catalog,
1996/1997.

Primary Examiner—Doris V. Coles

Assistant Examiner—Mimosa De

Attorney, Agent, or Firm—W. F. Fasse; W. G. Fasse

[57] **CLAIM**

The ornamental design for a child seat for vehicles, as
shown.

DESCRIPTION

FIG. 1 is a front view of a child seat for vehicles showing
my new design;

FIG. 2 is a rear view thereof;

FIG. 3 is a top plan view thereof;

FIG. 4 is a left side view thereof;

FIG. 5 is a right side view thereof; and,

FIG. 6 is a front perspective view thereof.

1 Claim, 3 Drawing Sheets

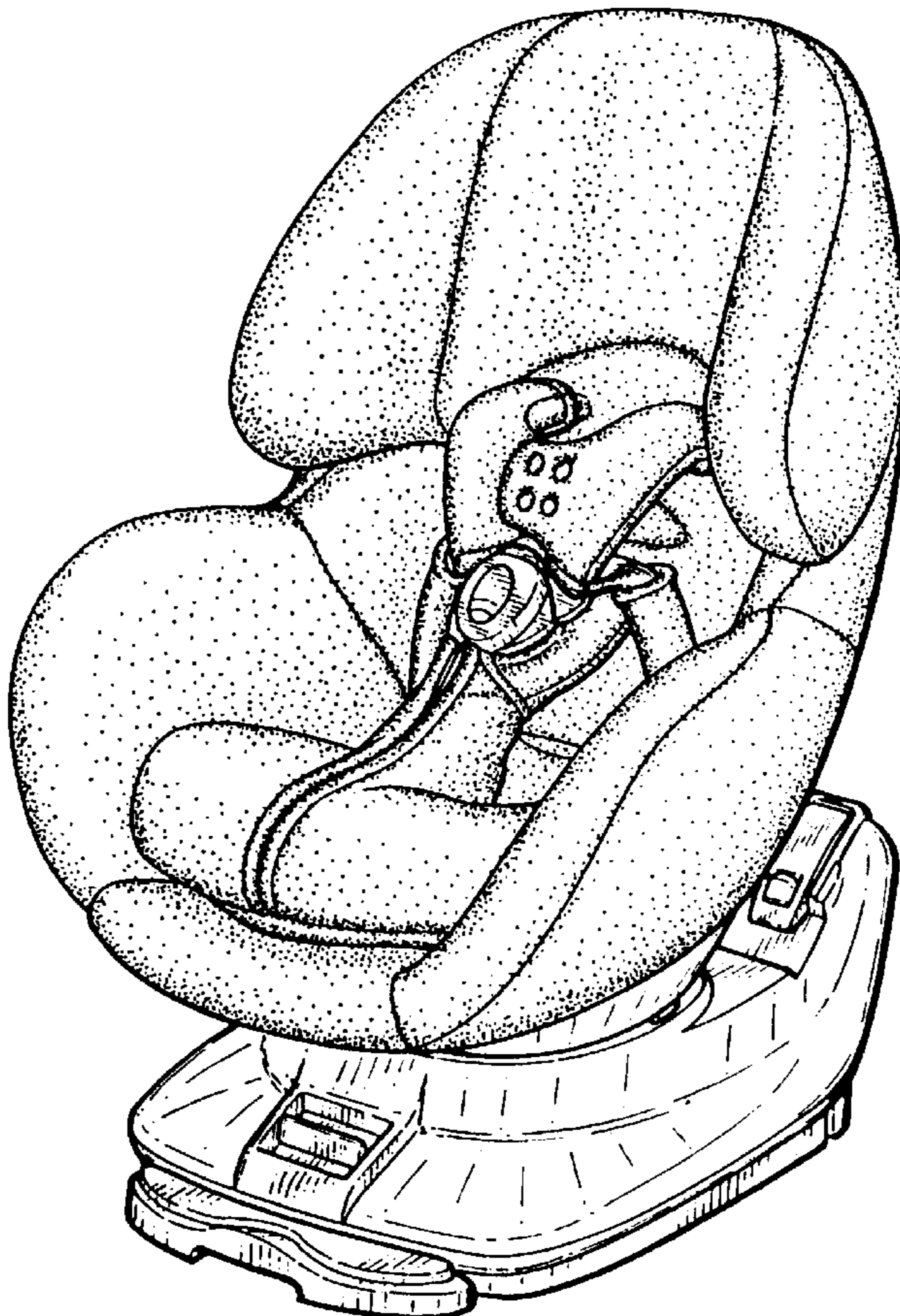


FIG. 2

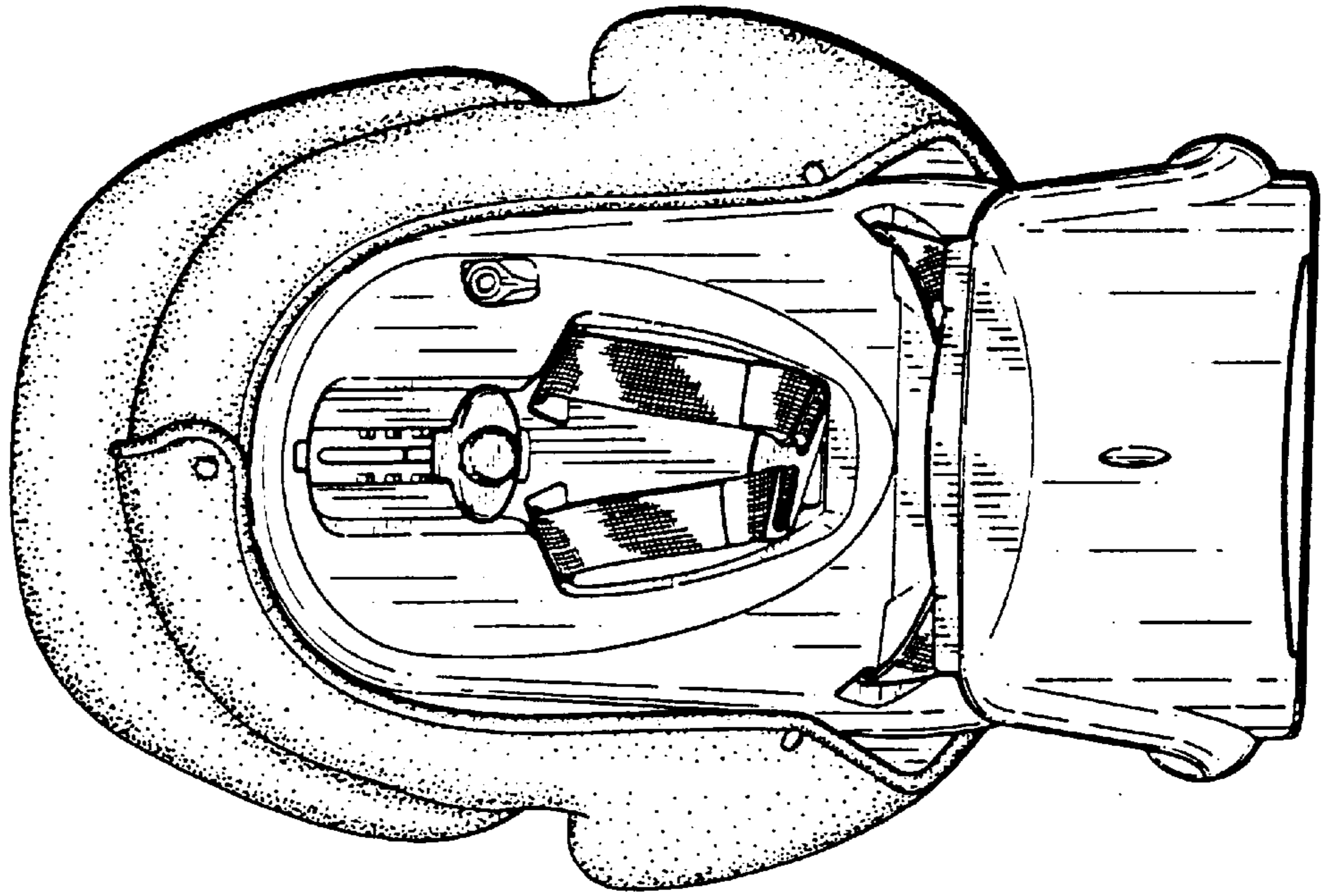


FIG. 1

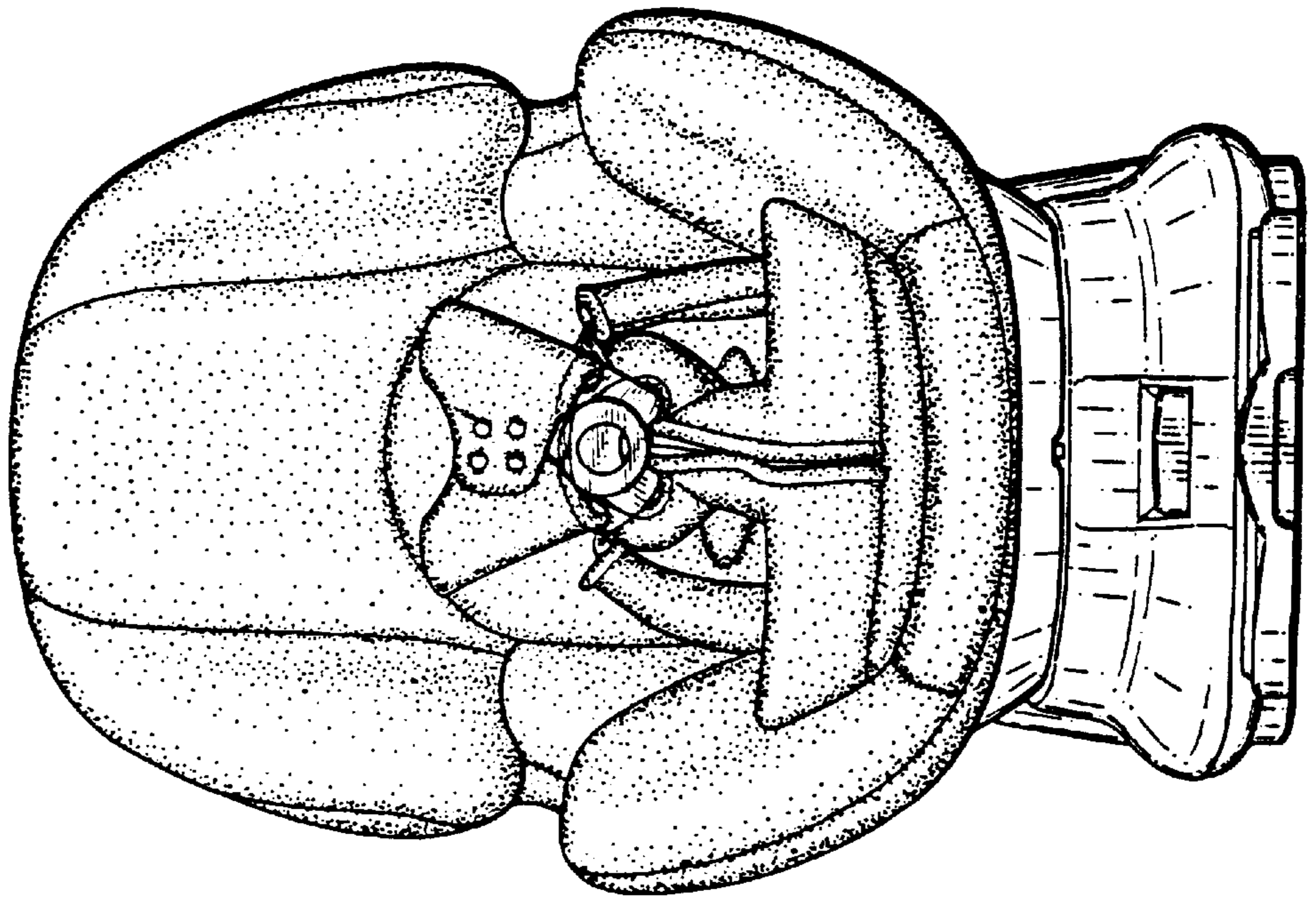


FIG. 4

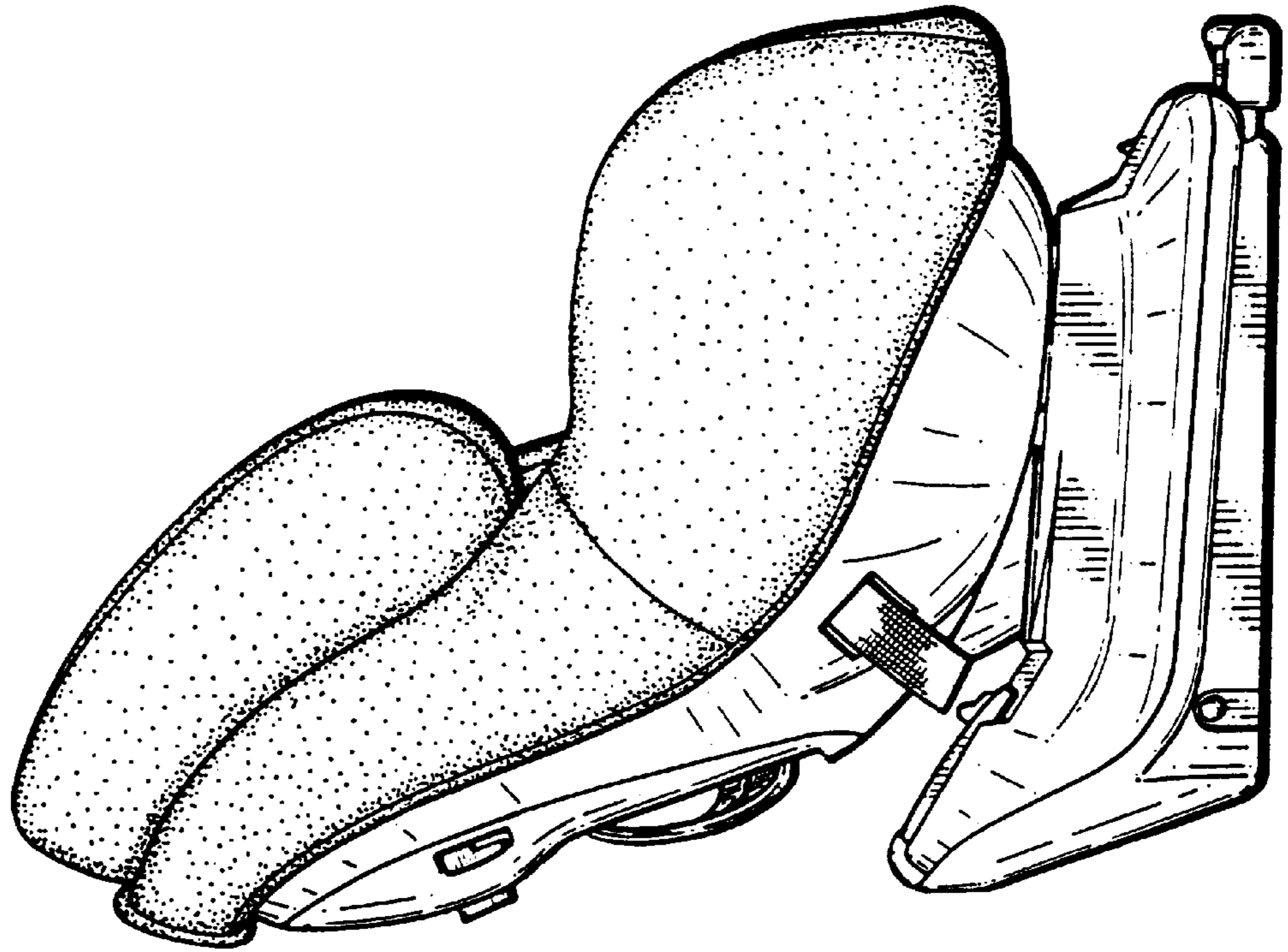


FIG. 3

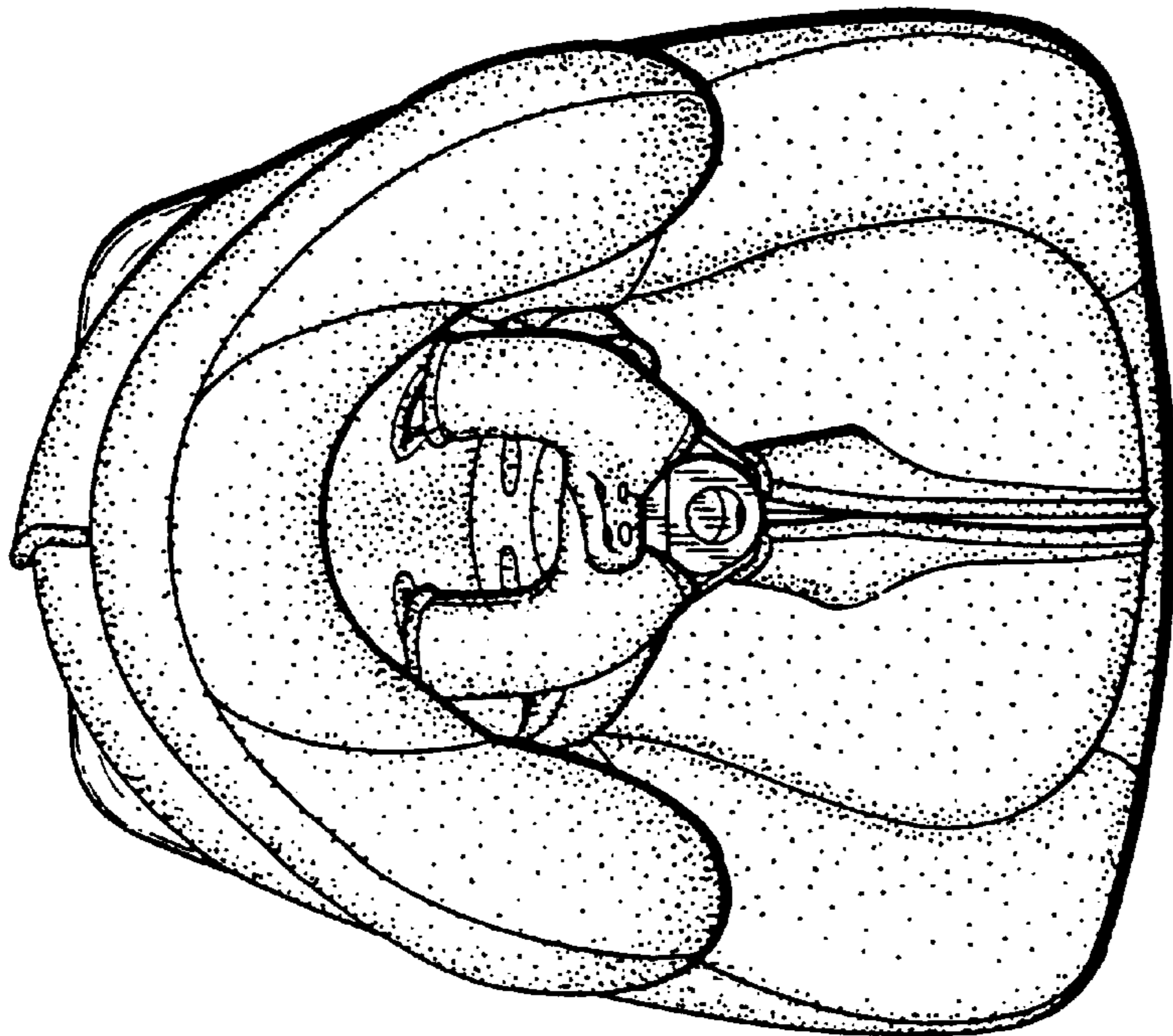


FIG. 5

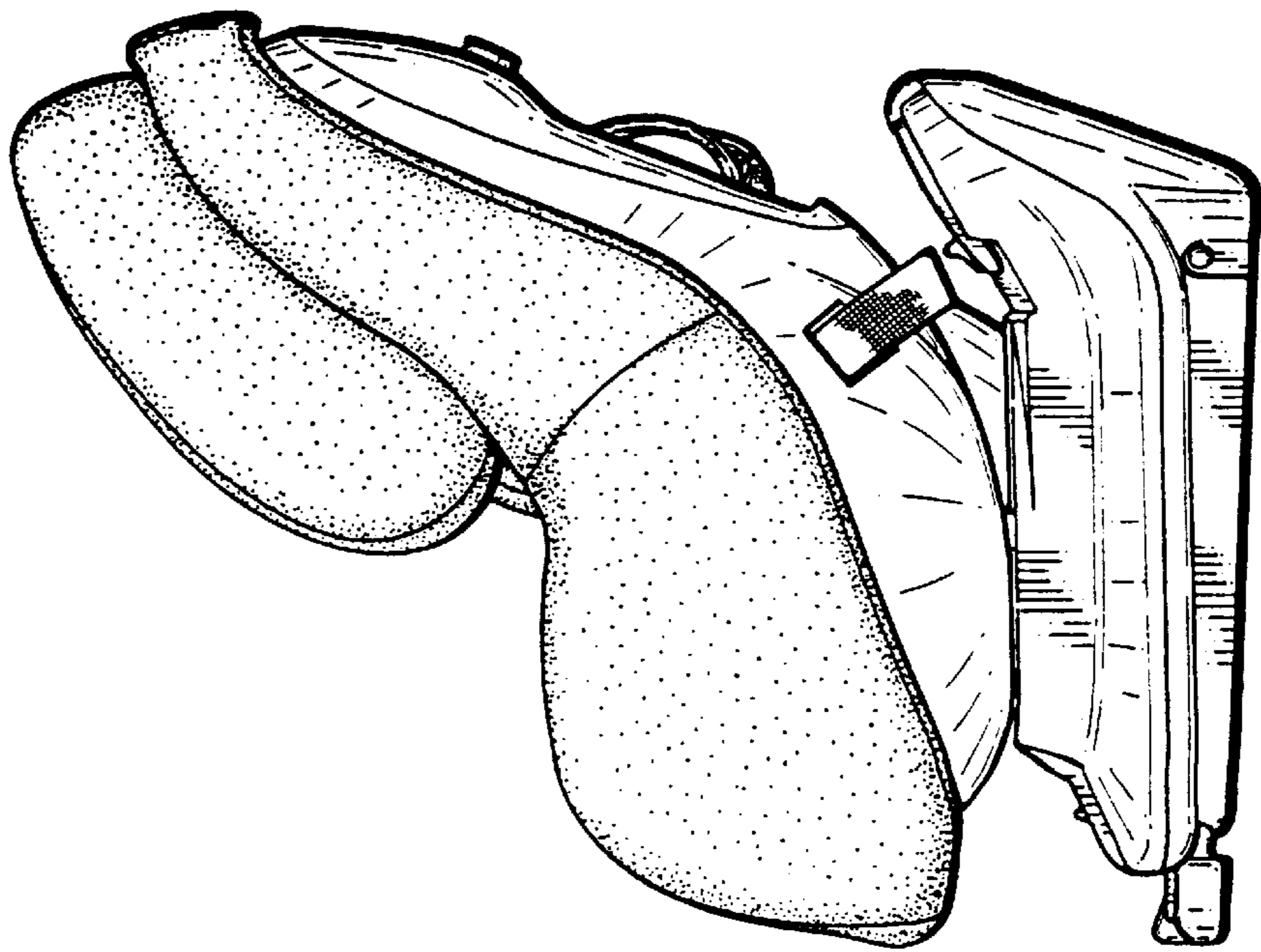


FIG. 6

