



US00D427784S

United States Patent [19]

Domina et al.

[11] Patent Number: Des. 427,784

[45] Date of Patent: ** Jul. 11, 2000

[54] SCREEN

[75] Inventors: Christopher Lyle Domina; David Eric Simon, both of San Francisco, Calif.; David Lewis, Detroit, Mich.

[73] Assignee: Steelcase Development Inc., Grand Rapids, Mich.

[**] Term: 14 Years

[21] Appl. No.: 29/096,803

[22] Filed: Nov. 20, 1998

[51] LOC (7) Cl. 06-06

[52] U.S. Cl. D6/332

[58] Field of Search D6/332, 396, 397, D6/449, 455; 160/135; D25/58; 40/605, 606; 52/31.1, 239, 282.2

[56] References Cited

U.S. PATENT DOCUMENTS

138,507	5/1873	Lazarus .	
158,217	12/1874	Low .	
D. 217,259	4/1970	Cohn, Jr.	D6/332
D. 242,099	11/1976	Casey	D6/332
D. 246,082	10/1977	Friedrich	D6/332 X
D. 318,383	7/1991	Terrell et al.	D6/411
3,017,969	1/1962	Nielsen	189/34
3,418,765	12/1968	Propst et al.	52/36
3,463,218	8/1969	Cannon et al.	160/135
3,565,152	2/1971	Cohn, Jr. et al.	160/135
3,777,437	12/1973	Christen	52/758 D
3,817,396	6/1974	Markson	211/178 R
3,871,435	3/1975	Lopatka	160/135
4,034,463	7/1977	Ryan	29/446
4,055,373	10/1977	Andersen et al.	312/263

4,090,335	5/1978	Curatolo	52/239
4,118,903	10/1978	Coulthard	52/36
4,166,332	9/1979	Donovan	40/605
4,597,231	7/1986	Quest	52/239
4,914,873	4/1990	Newhouse	52/36
5,069,011	12/1991	Jenne	52/144
5,097,643	3/1992	Wittler	52/238.1
5,328,260	7/1994	Beirise	312/223.6
5,651,219	7/1997	Baloga et al.	52/32
5,689,926	11/1997	Nichols	52/282.2
5,694,881	12/1997	Creech	116/222
5,737,887	4/1998	Smeenge	52/282.2
5,803,146	9/1998	Boon	160/135

Primary Examiner—Cathron B. Matta
Attorney, Agent, or Firm—Foley & Lardner

[57] CLAIM

The ornamental design for a screen, as shown and described.

DESCRIPTION

FIG. 1 is a rear perspective view of the screen according to a preferred embodiment.

FIG. 2 is a front perspective view of the screen.

FIG. 3 is a front elevation of the screen.

FIG. 4 is a top plan view of the screen.

FIG. 5 is a side elevation of the screen; and,

FIG. 6 is a rear elevation of the screen.

The broken lines at the perimeter of the screen portion of the claimed design define the bounds of the claimed design and form no part thereof.

The conventional drafting break lines indicate indeterminate height and width of the claimed design.

The broken line showing of a horizontal divider is for illustrative purposes only and forms no part of the claimed design.

1 Claim, 3 Drawing Sheets

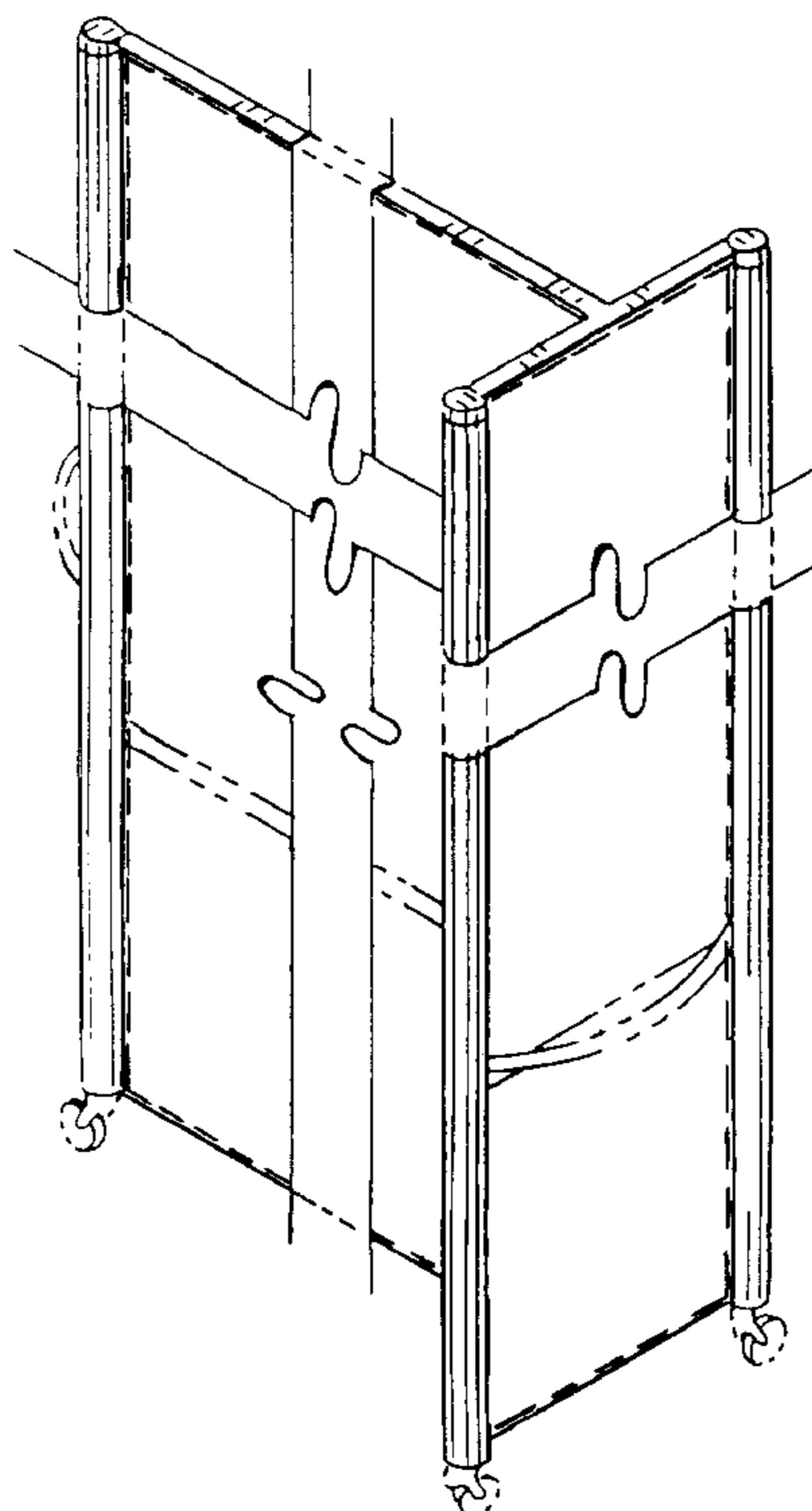


FIG. 1

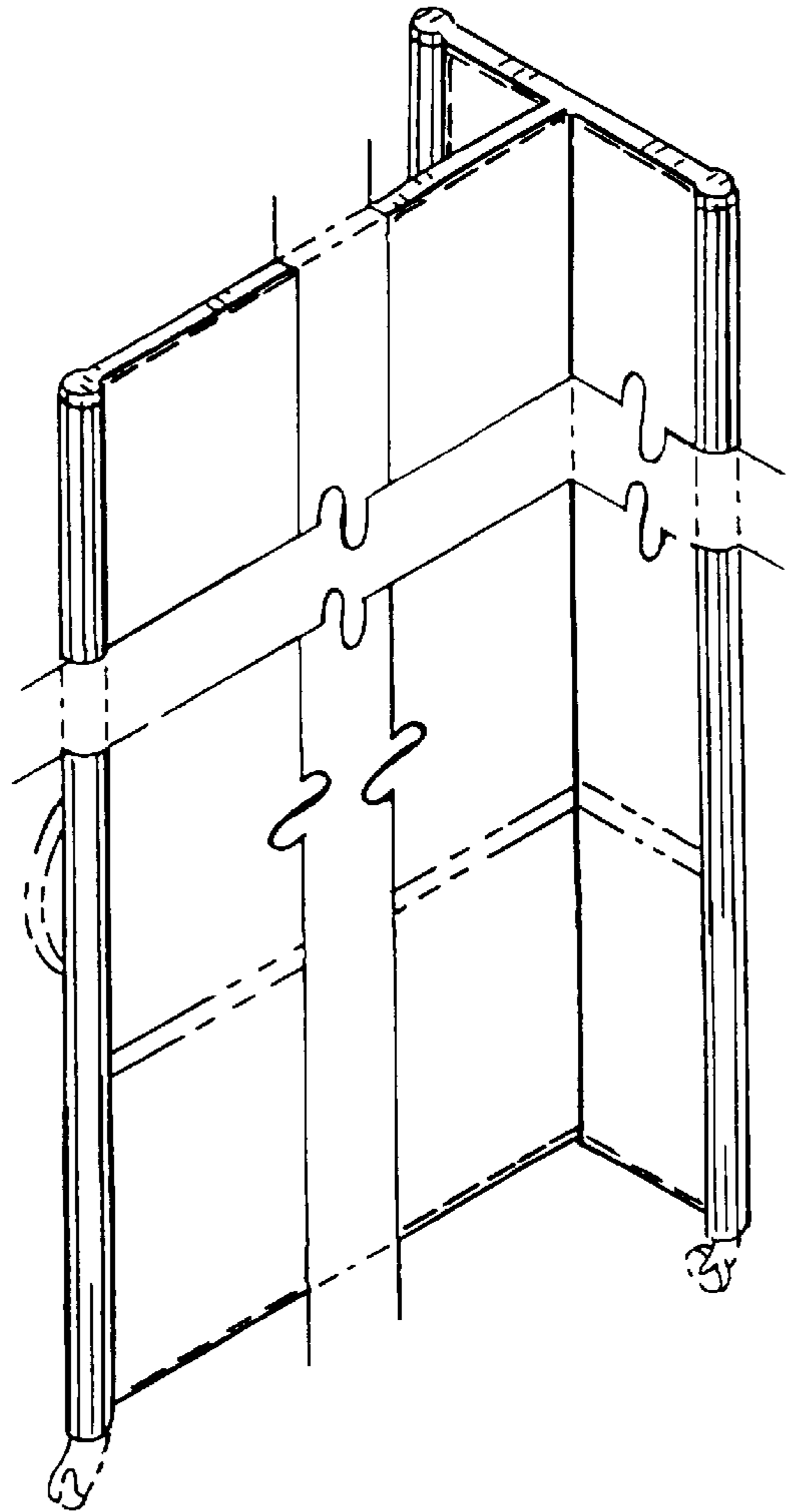
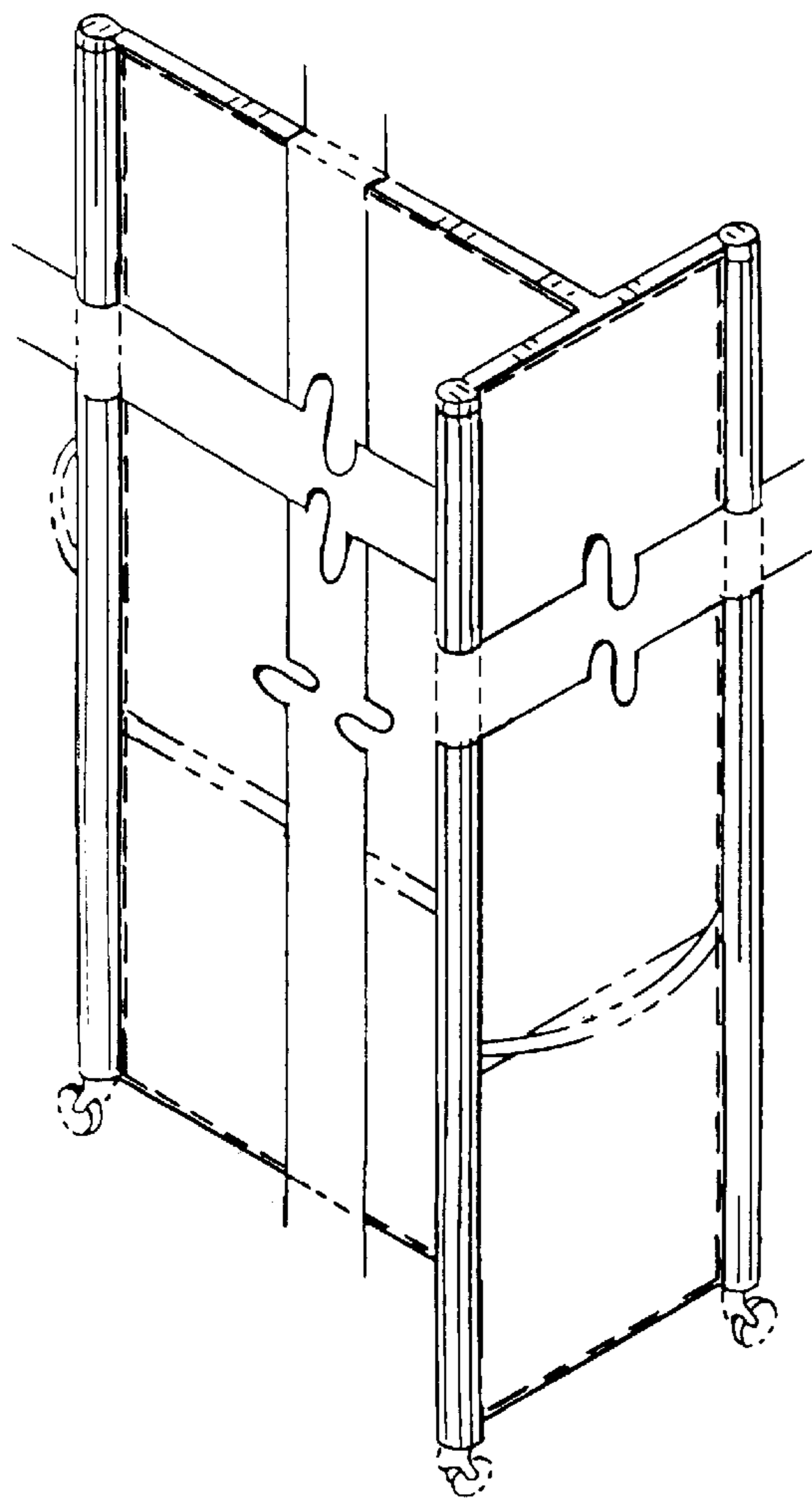


FIG. 2

FIG. 3

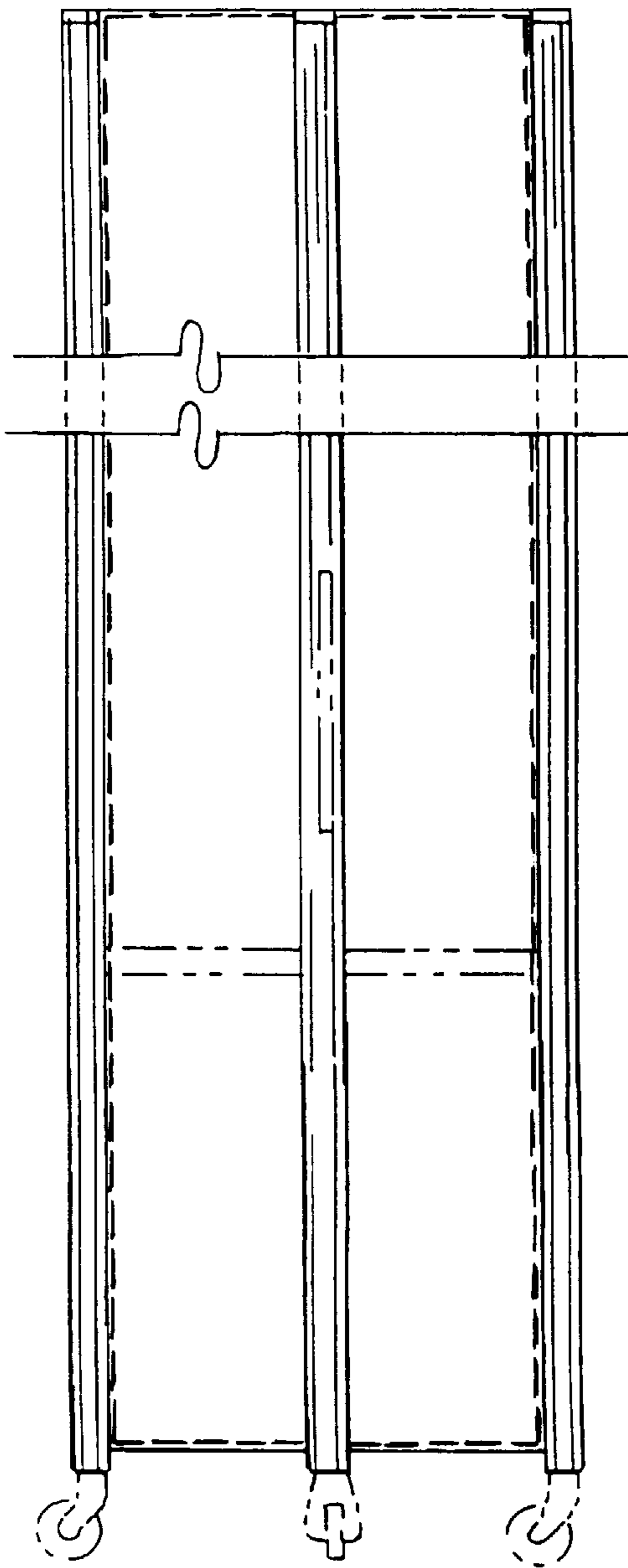
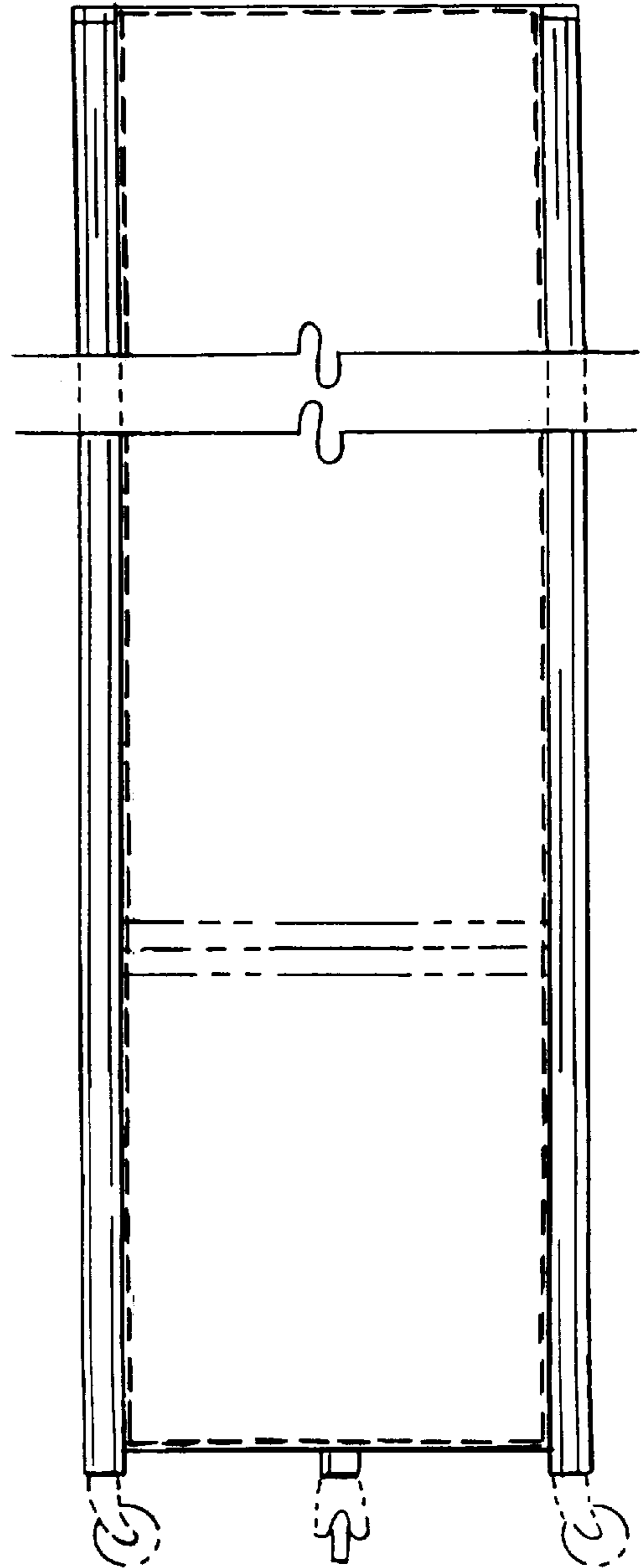


FIG. 6



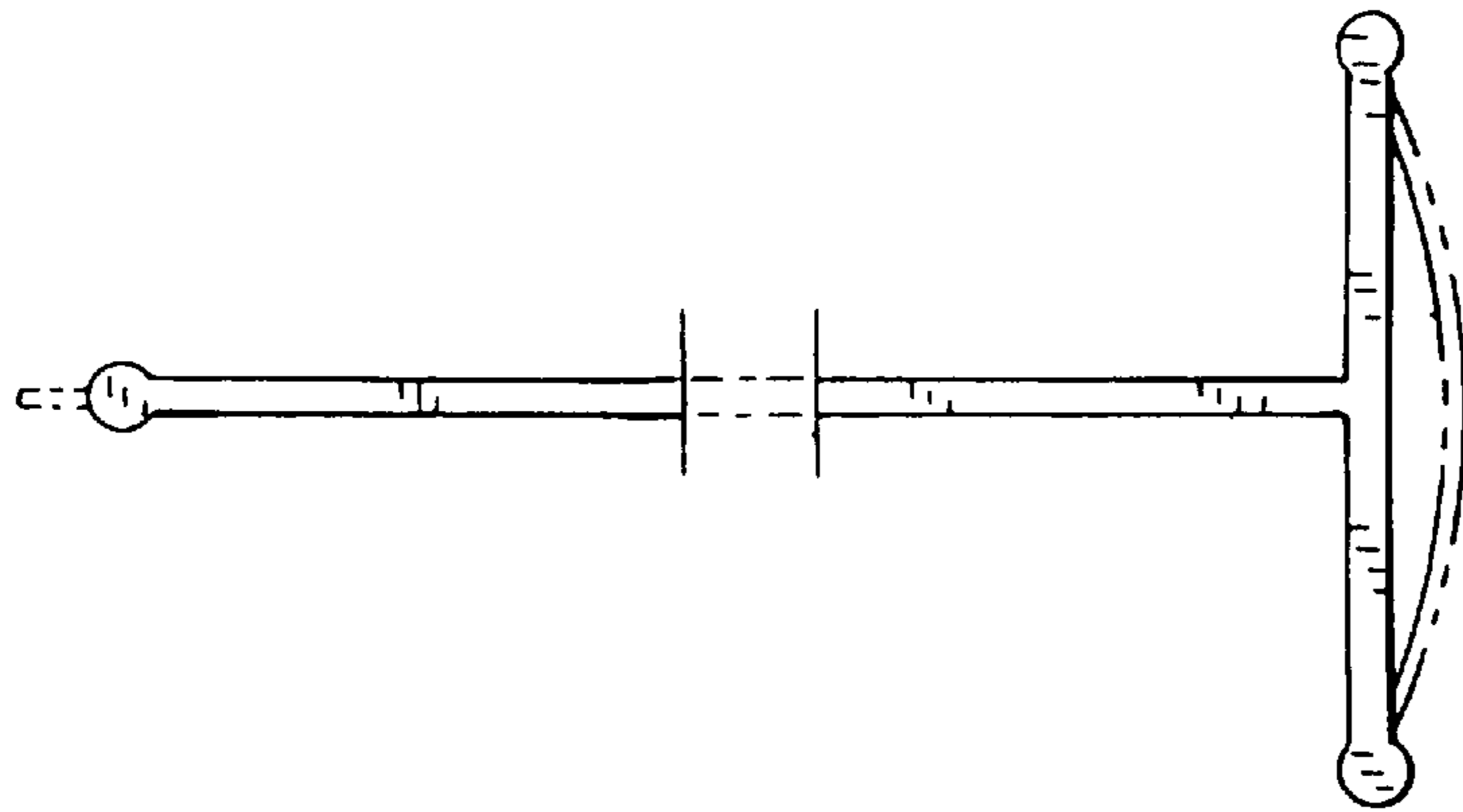


FIG. 4

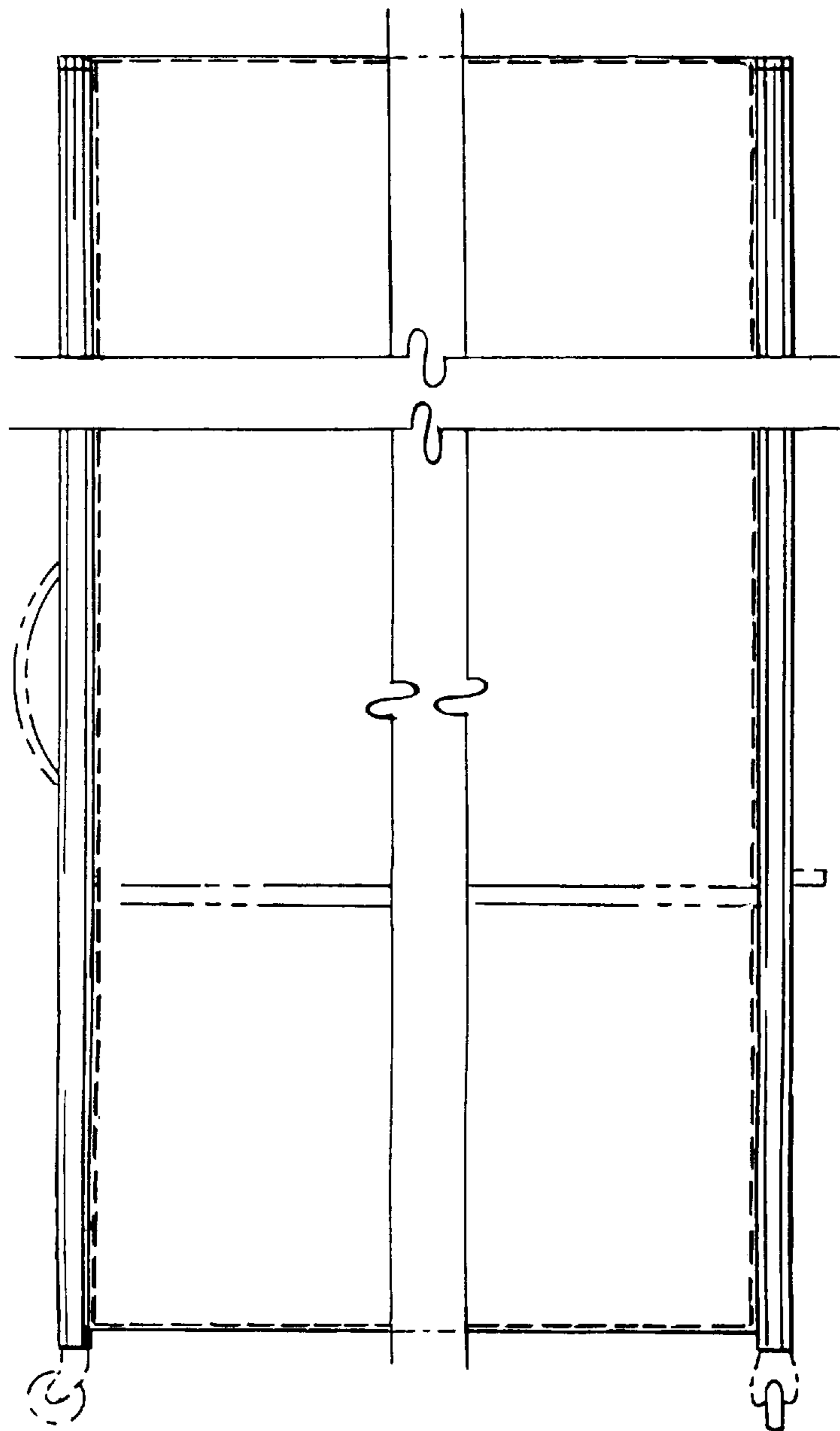


FIG. 5