



US00D427775S

United States Patent [19] Suzuki

[11] **Patent Number: Des. 427,775**

[45] **Date of Patent: ** Jul. 11, 2000**

[54] **FLOPPY BRUSH**

[75] Inventor: **Hitoshi Suzuki**, Tokyo, Japan

[73] Assignee: **Hiromori, Inc.**, Tokyo, Japan

[**] Term: **14 Years**

[21] Appl. No.: **29/107,015**

[22] Filed: **Jun. 24, 1999**

[51] **LOC (7) Cl.** **04-01**

[52] **U.S. Cl.** **D4/124; D14/114**

[58] **Field of Search** D4/116, 124, 130,
D4/132, 135; D14/114; 15/105, 159.1, 160,
186, 187, 191.1, 210.1, 184

[56] **References Cited**

U.S. PATENT DOCUMENTS

D. 283,893 5/1986 Fujimoto D14/114
2,296,525 9/1942 Johnson 15/184

2,674,001 6/1954 Abrams et al. 15/184
3,807,010 4/1974 Semrad 15/210.1 X
5,144,775 9/1992 Bakanowsky 15/210.1 X

Primary Examiner—Alan P. Douglas
Assistant Examiner—Lavone D. Tabor
Attorney, Agent, or Firm—Salter & Michaelson

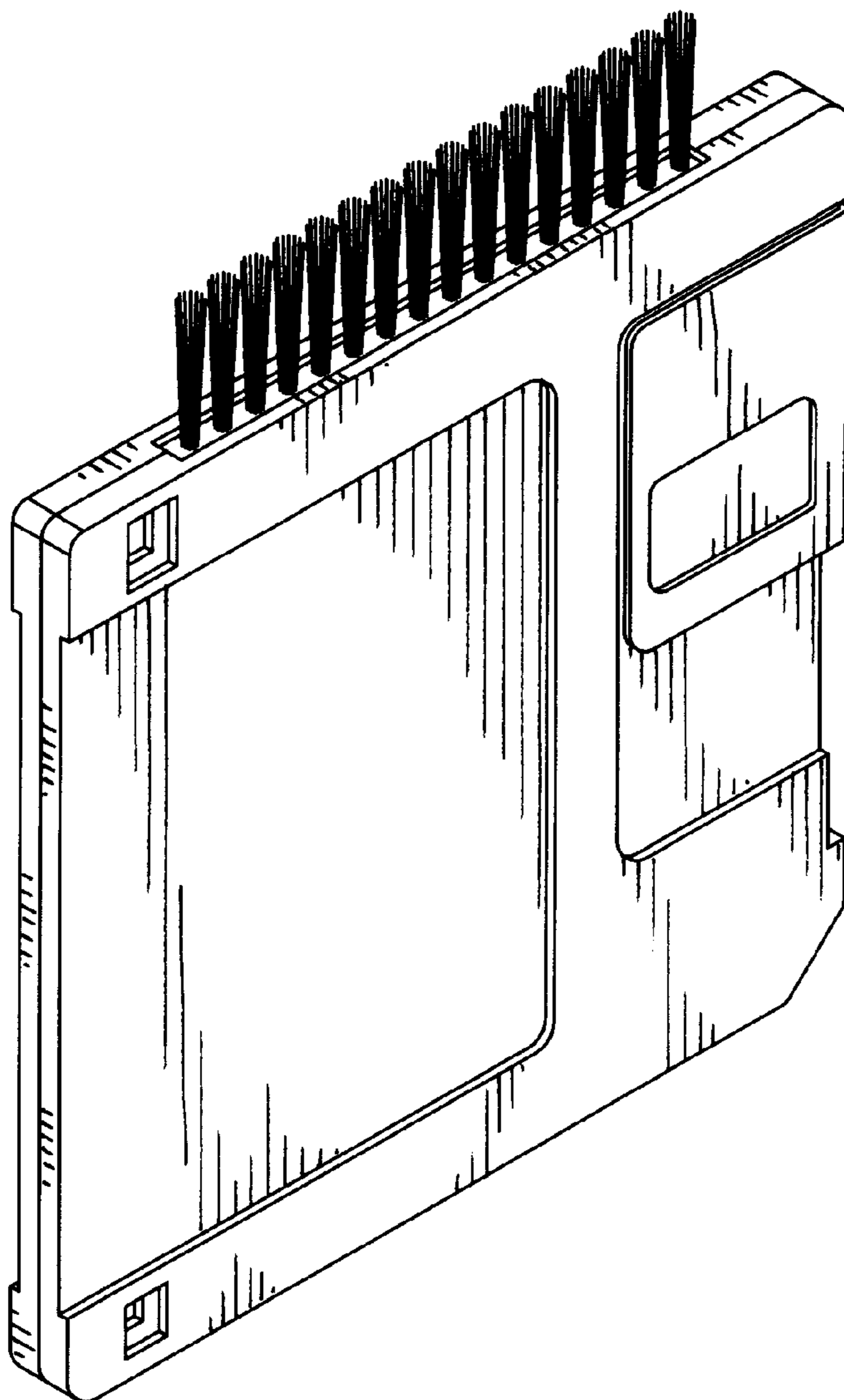
[57] **CLAIM**

The ornamental design for a floppy brush, as shown.

DESCRIPTION

FIG. 1 is a front elevational view of a floppy brush showing my new design;
FIG. 2 is a rear elevational view thereof;
FIG. 3 is a top plan view thereof;
FIG. 4 is a bottom plan view thereof;
FIG. 5 is a left side elevational view thereof;
FIG. 6 is a right side elevational view thereof; and,
FIG. 7 is a perspective view thereof.

1 Claim, 3 Drawing Sheets



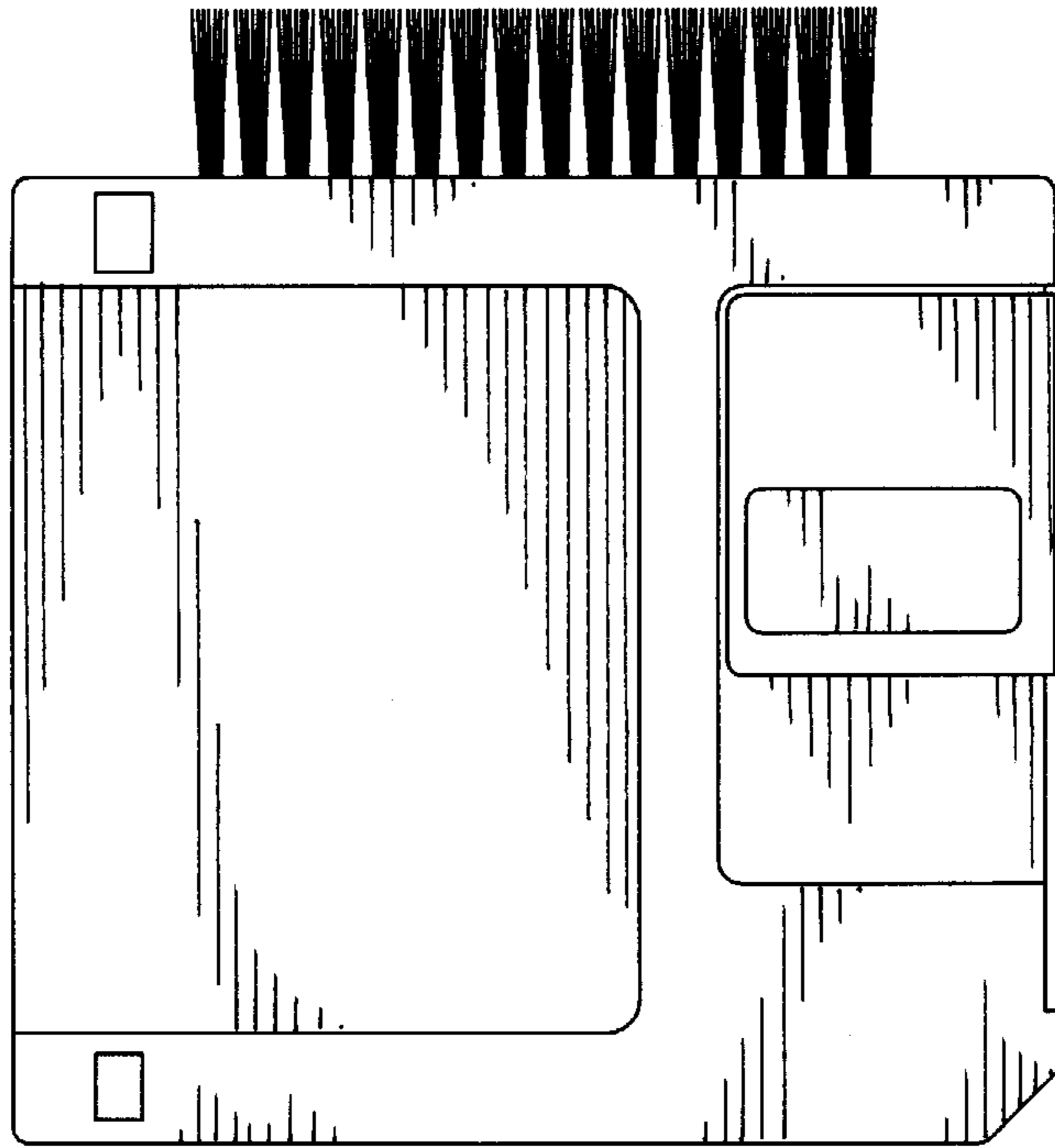


FIG. 1

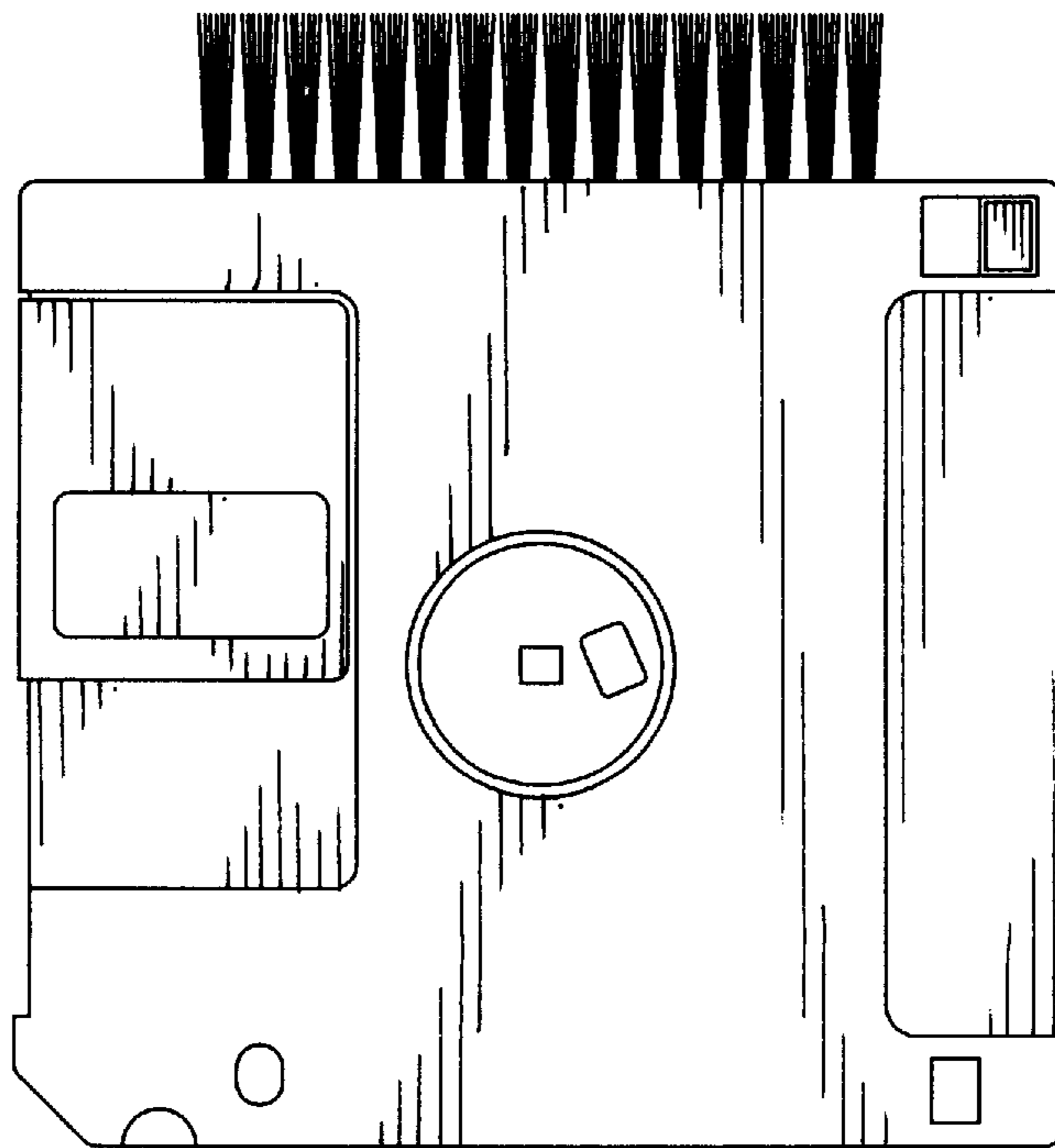


FIG. 2



FIG. 3

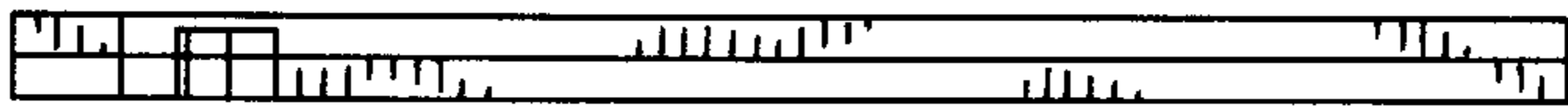


FIG. 4



FIG. 5



FIG. 6

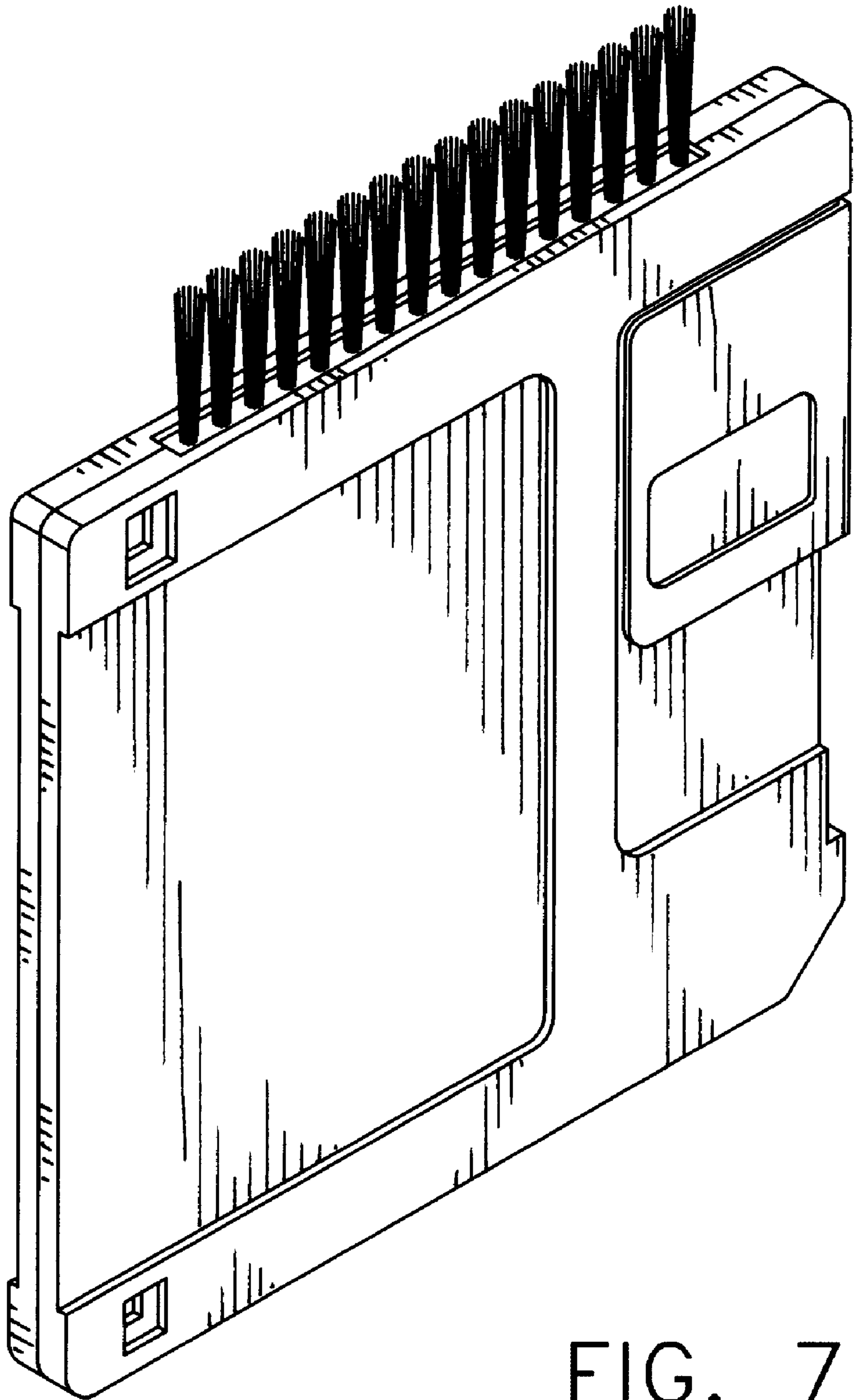


FIG. 7