



US00D427769S

United States Patent [19] Zimmerman

[11] Patent Number: **Des. 427,769**
[45] Date of Patent: **** Jul. 11, 2000**

[54] CONTAINER

[75] Inventor: **Larry Gene Zimmerman**, Hollis, N.H.

[73] Assignee: **Sterilite Corporation**, Townsend, Mass.

[**] Term: **14 Years**

[21] Appl. No.: **29/102,387**

[22] Filed: **Mar. 24, 1999**

[51] LOC (7) Cl. **03-01**

[52] U.S. Cl. **D3/302; D3/273; D9/424**

[58] Field of Search D3/272, 273, 302;
D9/420, 424, 423, 425; 206/508, 501, 503,
518; 220/350, 296, 662

[56] **References Cited**

U.S. PATENT DOCUMENTS

| | | | |
|------------|---------|----------------------|--------|
| D. 327,756 | 7/1992 | Klein et al. | D34/1 |
| D. 342,817 | 12/1993 | Lippisch et al. | D34/7 |
| D. 348,394 | 7/1994 | Dreyer | D9/424 |
| D. 351,284 | 10/1994 | Kruger | D3/314 |
| D. 353,921 | 12/1994 | Lippisch et al. | D32/55 |
| D. 356,497 | 3/1995 | Zimmerman | D9/435 |
| D. 362,525 | 9/1995 | Kruger | D34/1 |
| D. 364,039 | 11/1995 | Kruger | D3/315 |
| D. 366,397 | 1/1996 | Zimmerman | D7/629 |
| D. 366,989 | 2/1996 | Zimmerman | D7/629 |
| D. 367,589 | 3/1996 | Zimmerman | D7/629 |
| D. 367,760 | 3/1996 | Zimmerman | D3/314 |
| D. 368,347 | 3/1996 | Kruger | D32/53 |
| D. 371,305 | 7/1996 | Kruger | D9/435 |
| D. 372,378 | 8/1996 | Kruger | D6/448 |
| D. 374,774 | 10/1996 | Cassel | D3/273 |

| | | | |
|------------|---------|-----------------------|---------|
| D. 378,552 | 3/1997 | Lippisch | D3/273 |
| D. 381,112 | 7/1997 | Egan | D3/273 |
| D. 381,512 | 7/1997 | Green | D3/273 |
| D. 384,204 | 9/1997 | Lippisch | D3/318 |
| D. 394,350 | 5/1998 | Zimmerman | D3/314 |
| D. 397,553 | 9/1998 | Zimmerman | D3/314 |
| D. 406,463 | 3/1999 | Rutledge | D3/302 |
| D. 408,631 | 4/1999 | Dickinson et al. | D3/302 |
| 5,012,928 | 5/1991 | Proffitt et al. | 206/508 |
| 5,385,261 | 1/1995 | Lippisch | 220/572 |
| 5,579,961 | 12/1996 | Zimmerman | 222/545 |

OTHER PUBLICATIONS

Wal-Mart Jul. 29, 1998 document Rubbermaid containers.
Bradlees Feb. 21, 1999 document Keter containers.
Bradlees Oct. 4, 1998 document Aero containers.
K-Mart Apr. 4, 1999 document Rubbermaid containers.
Iris document 1996 containers.

Primary Examiner—Philip S. Hyder
Attorney, Agent, or Firm—Hale and Dorr LLP

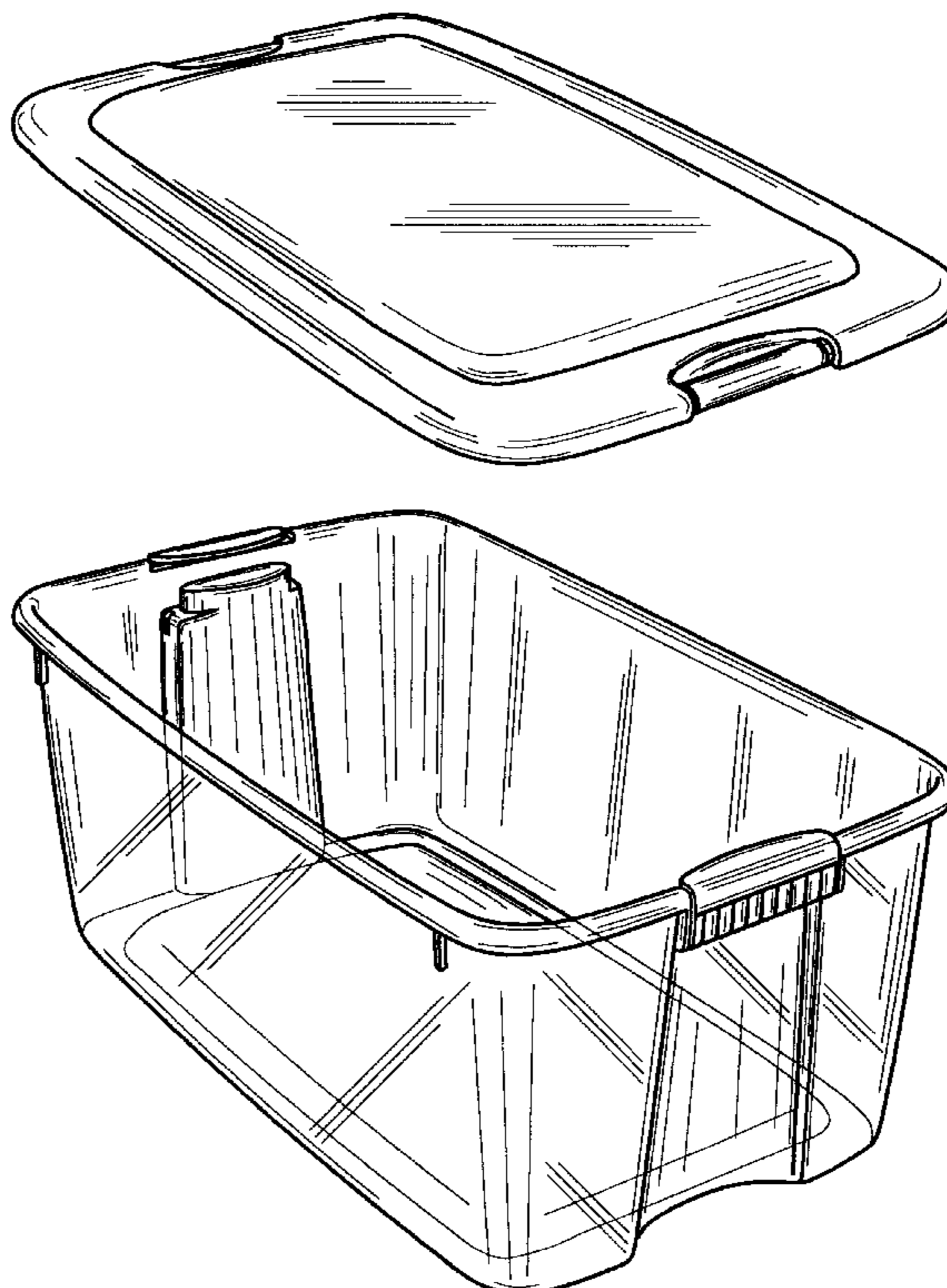
[57] **CLAIM**

I claim the ornamental design for a container, as shown and described.

DESCRIPTION

FIG. 1 is a perspective view of the container of this invention, in an open position;
FIG. 2 is an end view thereof, in a closed position;
FIG. 3 is a bottom view of the container, in a closed position;
FIG. 4 is a top view of the container, in a closed position;
and,
FIG. 5 is a side view of the container, in a closed position.

1 Claim, 3 Drawing Sheets



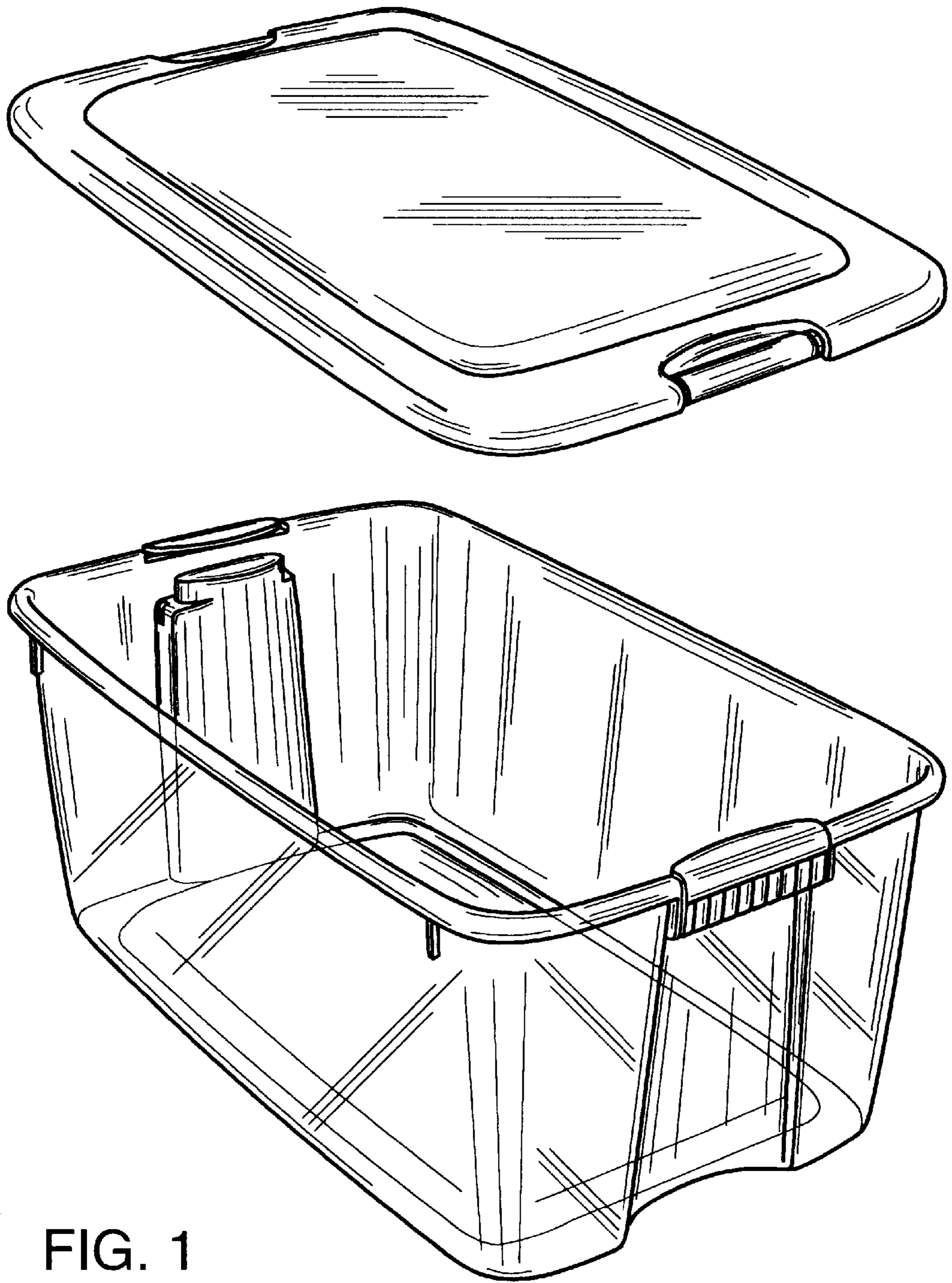


FIG. 1

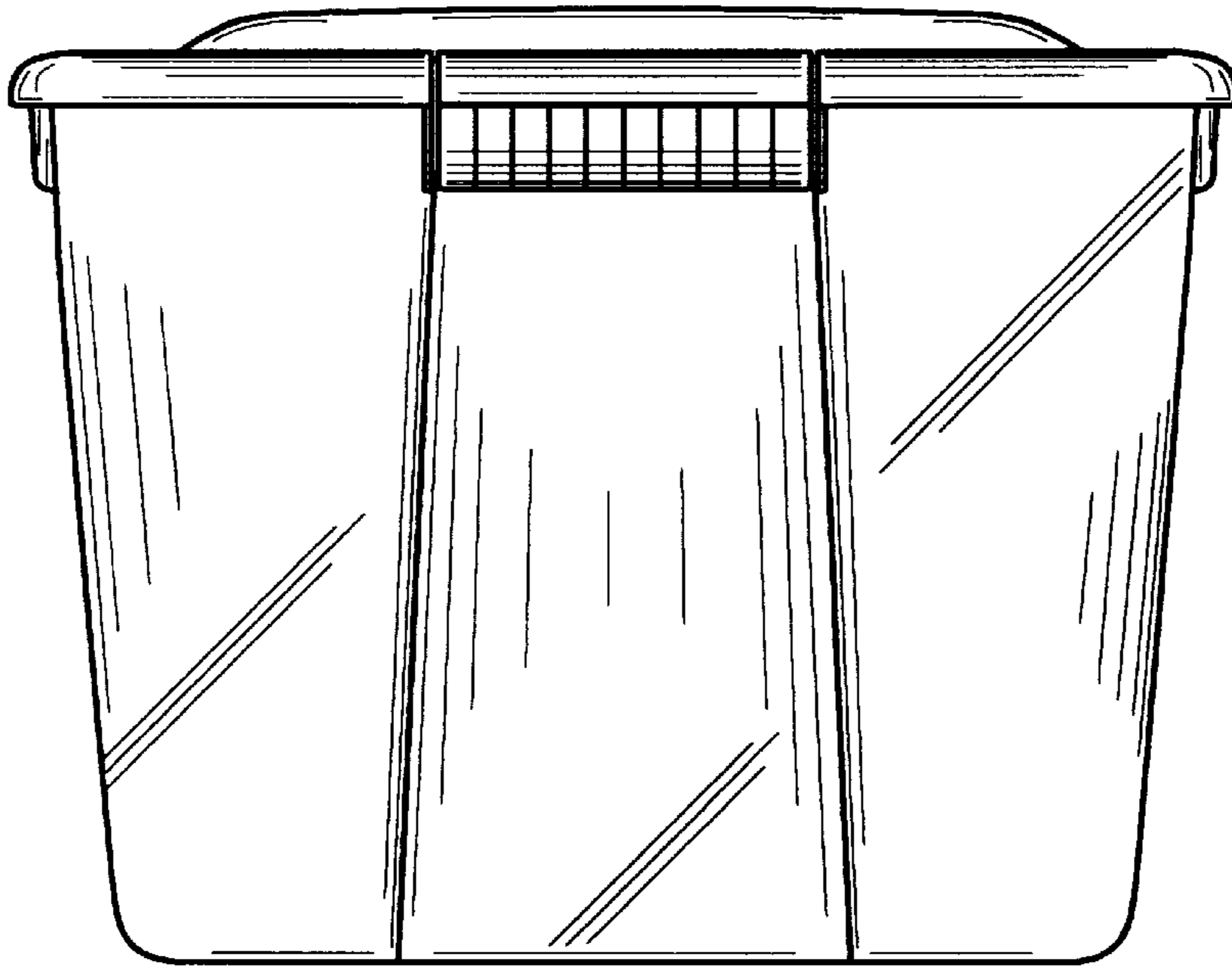


FIG. 2

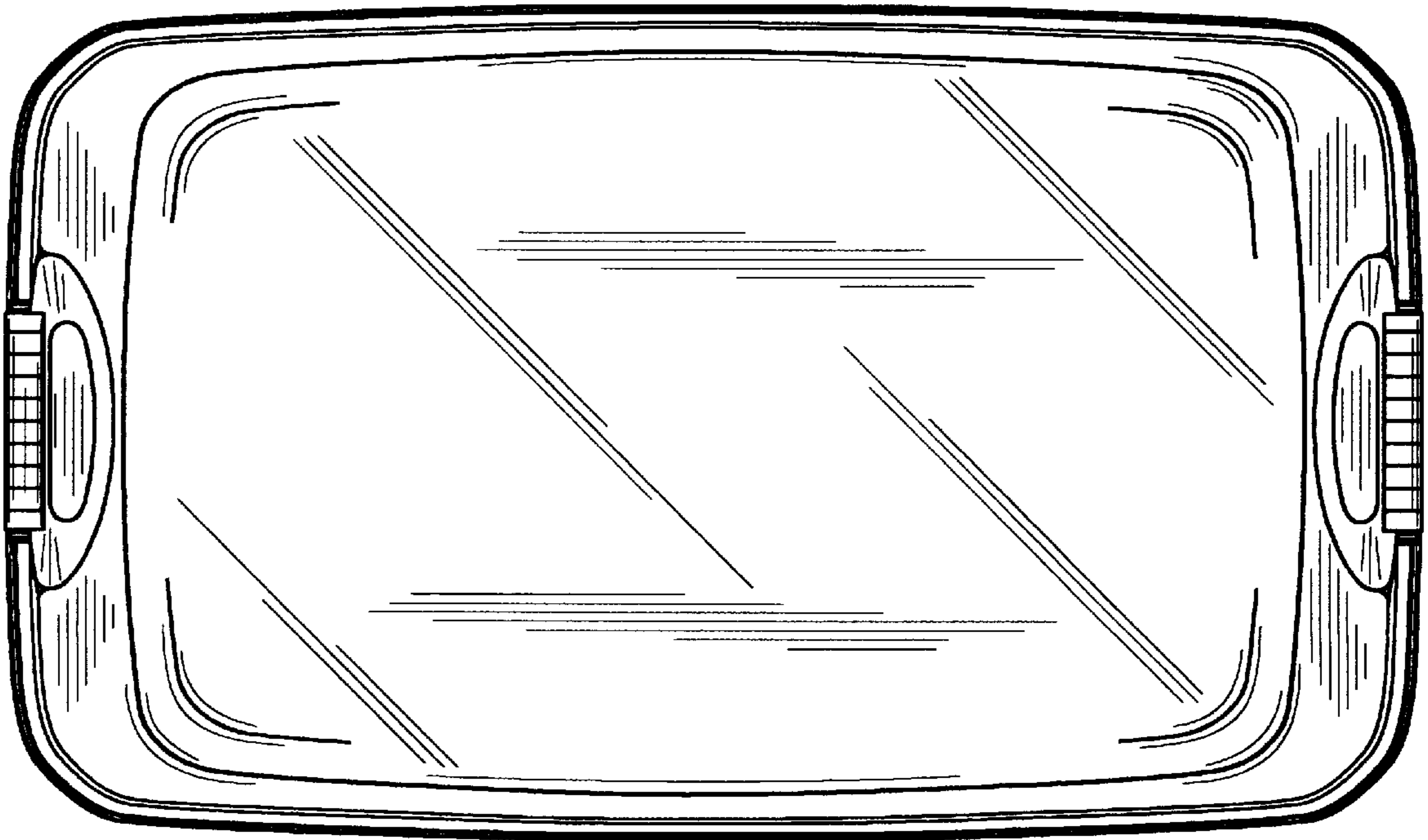


FIG. 3

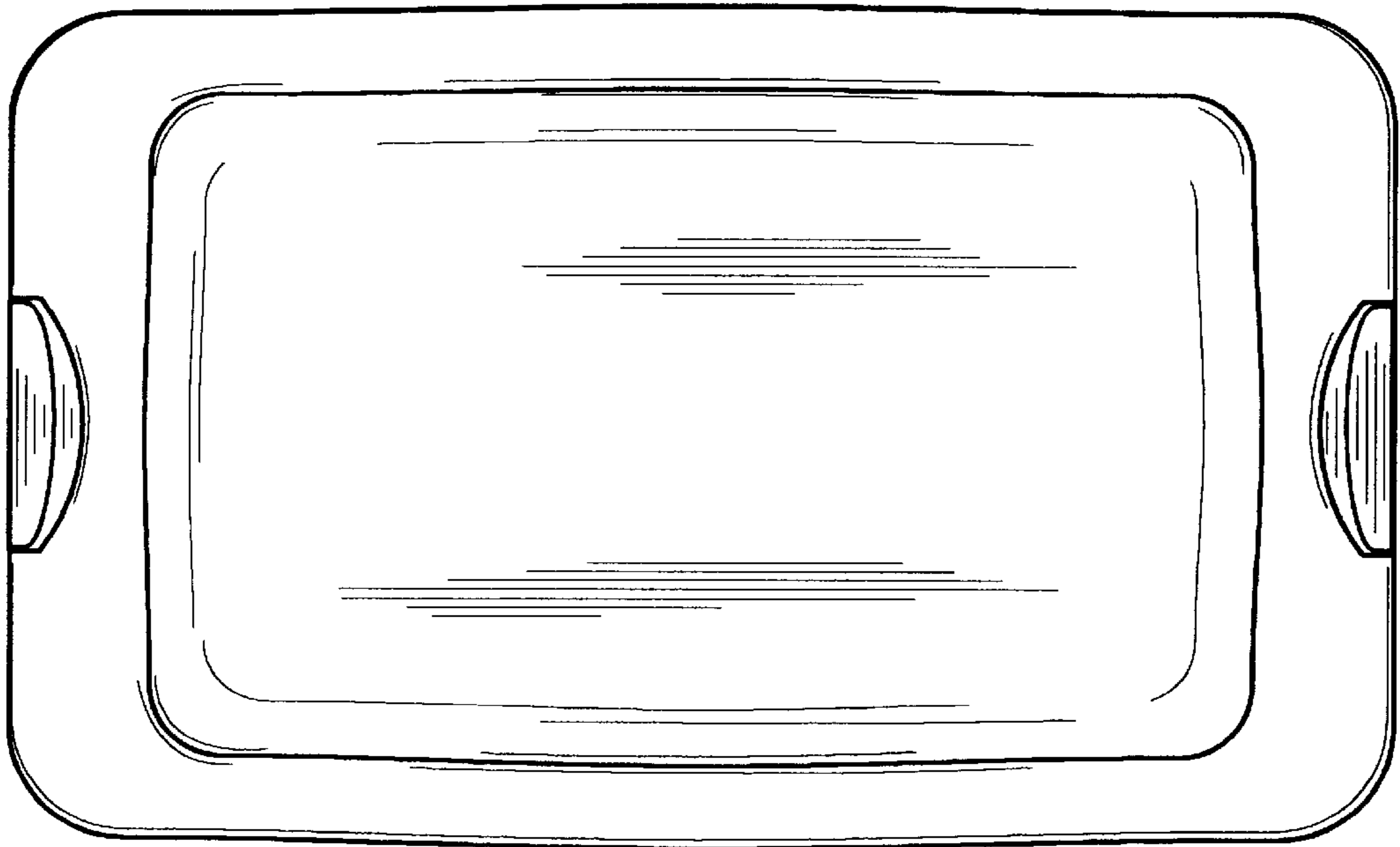


FIG. 4

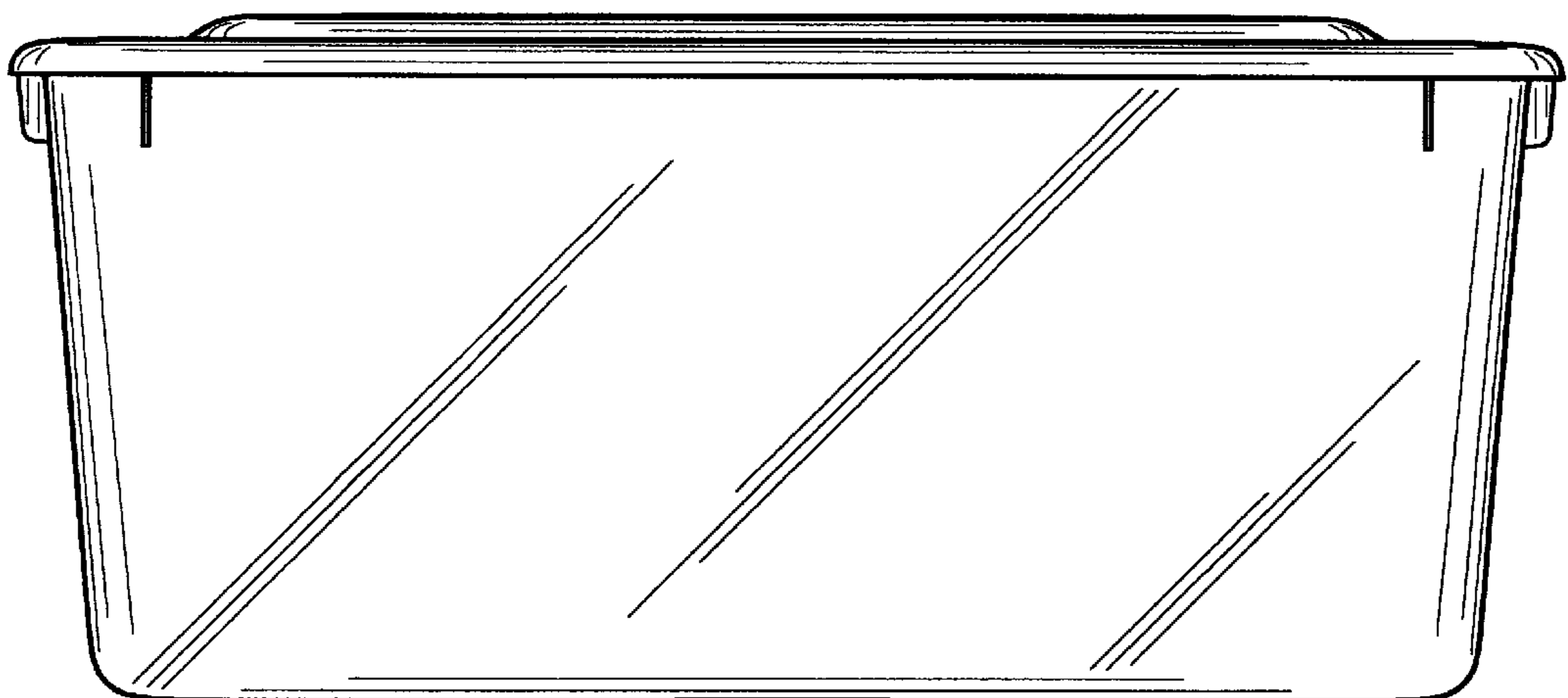


FIG. 5