



US00D427767S

# United States Patent [19] Young

[11] **Patent Number: Des. 427,767**  
[45] **Date of Patent: \*\* Jul. 11, 2000**

[54] **COMBINATION CARRY, STORAGE AND DISPLAY CASE FOR DOLLS AND TOYS**

D. 353,265 12/1994 Newby, Sr. .... D3/273  
D. 374,771 10/1996 Guegan et al. .... D3/294  
D. 404,569 1/1999 Chen ..... D3/282

[76] Inventor: **Gwenda Dorothy Young**, P.O. Box 866, Tewantin, QLD 4565, Australia

*Primary Examiner*—Philip S. Hyder  
*Attorney, Agent, or Firm*—Frohwitter; R. William Beard, Jr.

[\*\*] Term: **14 Years**

### [57] CLAIM

[21] Appl. No.: **29/105,063**

The ornamental design for a combination carry, storage and display case for dolls and toys, as shown and described.

[22] Filed: **May 17, 1999**

### DESCRIPTION

### [30] Foreign Application Priority Data

Nov. 17, 1998 [AU] Australia ..... 3661/98

FIG. 1 is a perspective view of the combination, carry, storage and display case for dolls and toys in an open position with a doll compartment removed and a storage lid removed.

[51] **LOC (7) Cl.** ..... **03-01**

[52] **U.S. Cl.** ..... **D3/276; D3/281; D3/294**

FIG. 2 is a back view of the case in a closed position.

[58] **Field of Search** ..... D3/272, 273, 274,

D3/276, 281, 282, 294; 206/315.1, 349, 379, 372; 190/100, 110, 112

FIG. 3 is a front view of the case in a closed position.

FIG. 4 is a left end view of the case in a closed position.

FIG. 5 is a perspective view of the case in a partially opened position; and,

### [56] References Cited

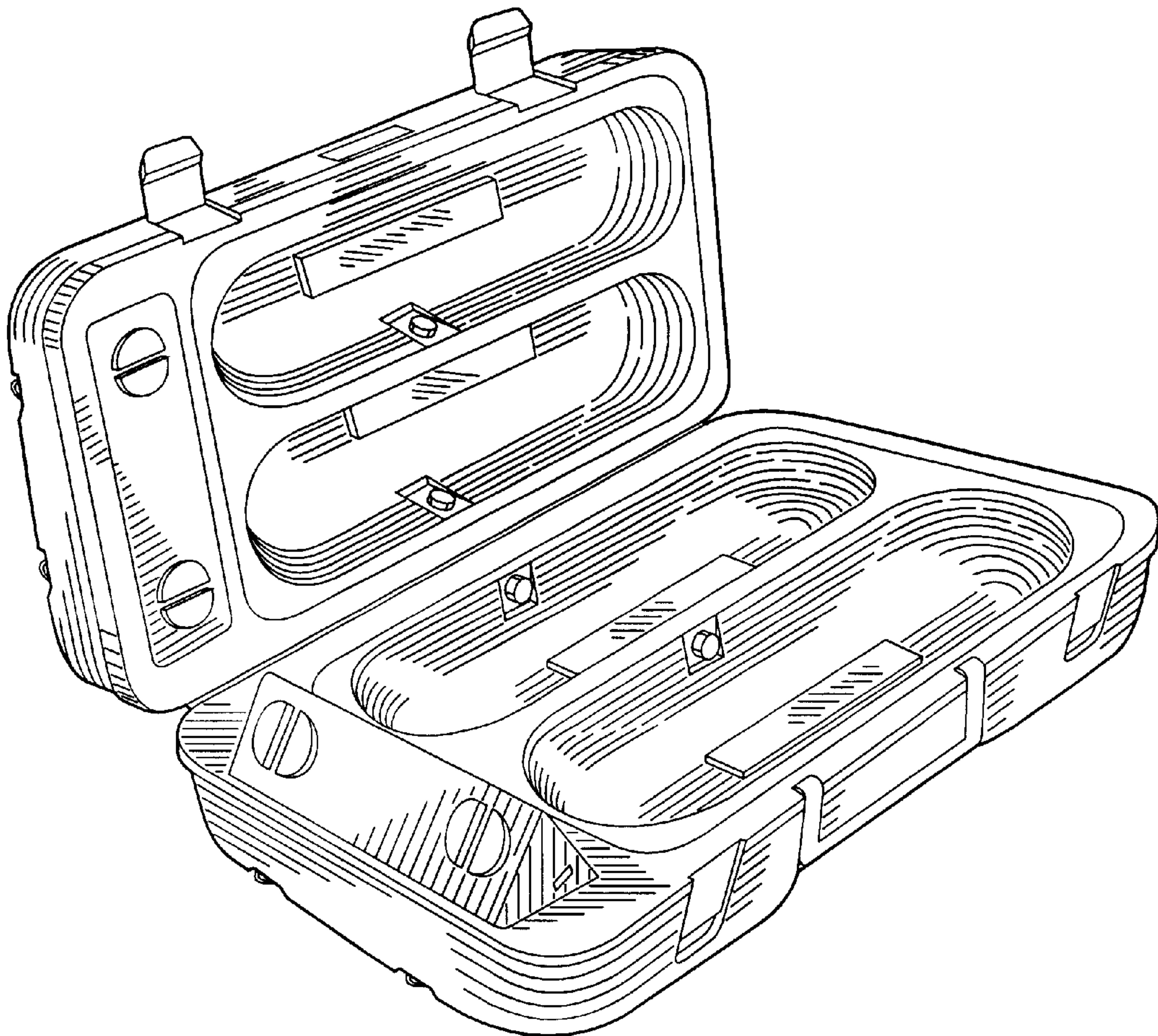
#### U.S. PATENT DOCUMENTS

D. 205,579 8/1966 Schurman ..... D3/281  
D. 205,580 8/1966 Schurman ..... D3/281  
D. 225,383 12/1972 Eisele ..... D3/900  
D. 274,739 7/1984 Nagode ..... D3/272

FIG. 6 is a perspective view of the case in a closed position.

While a right end view of the case in a closed position is not shown, the right side of the case is a mirror image of the left side, wherein the left side is shown in FIG. 4.

**1 Claim, 4 Drawing Sheets**



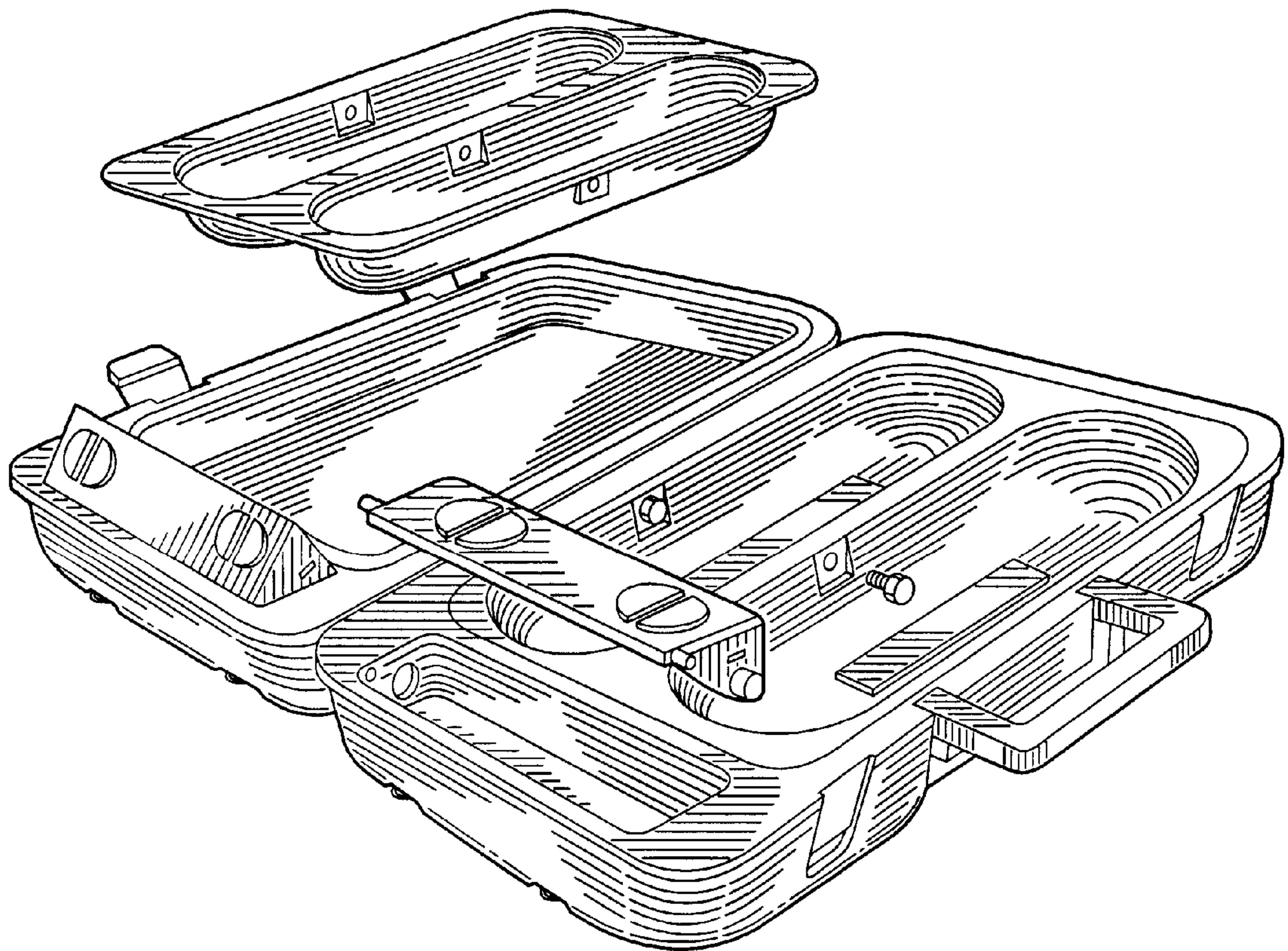


Fig. 1

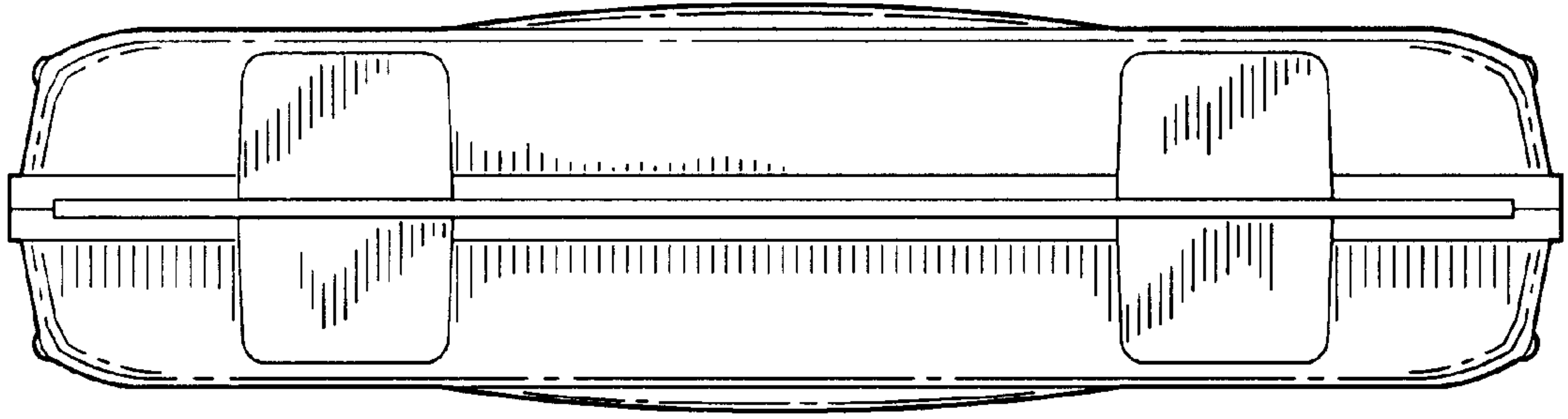


Fig. 2

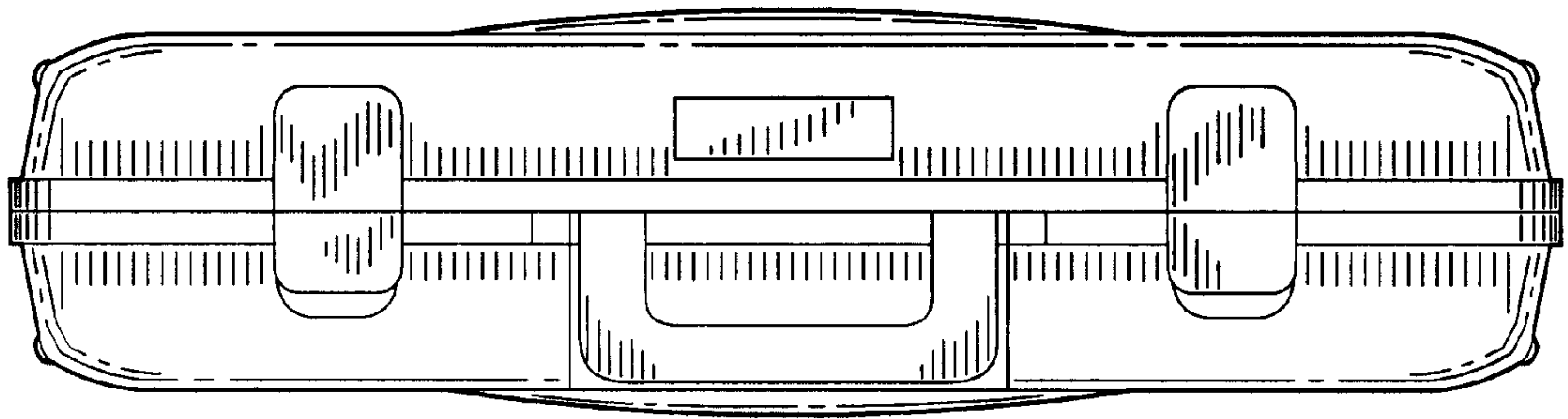


Fig. 3

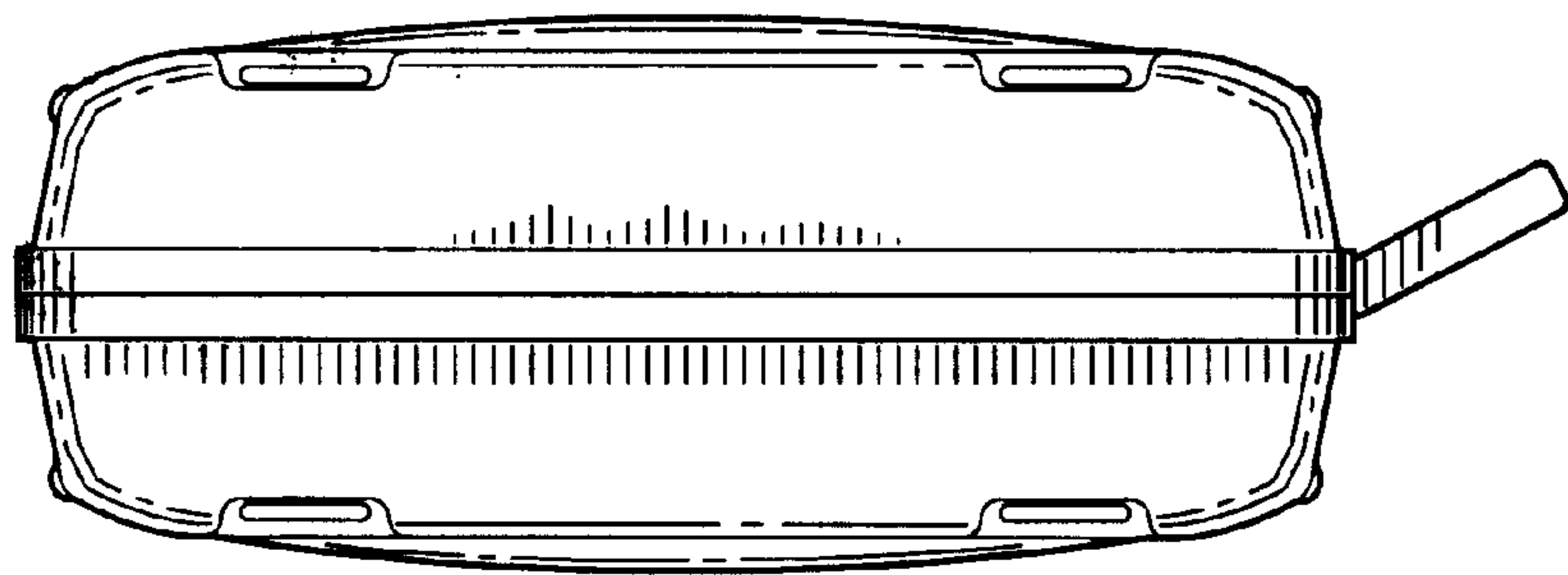


Fig. 4



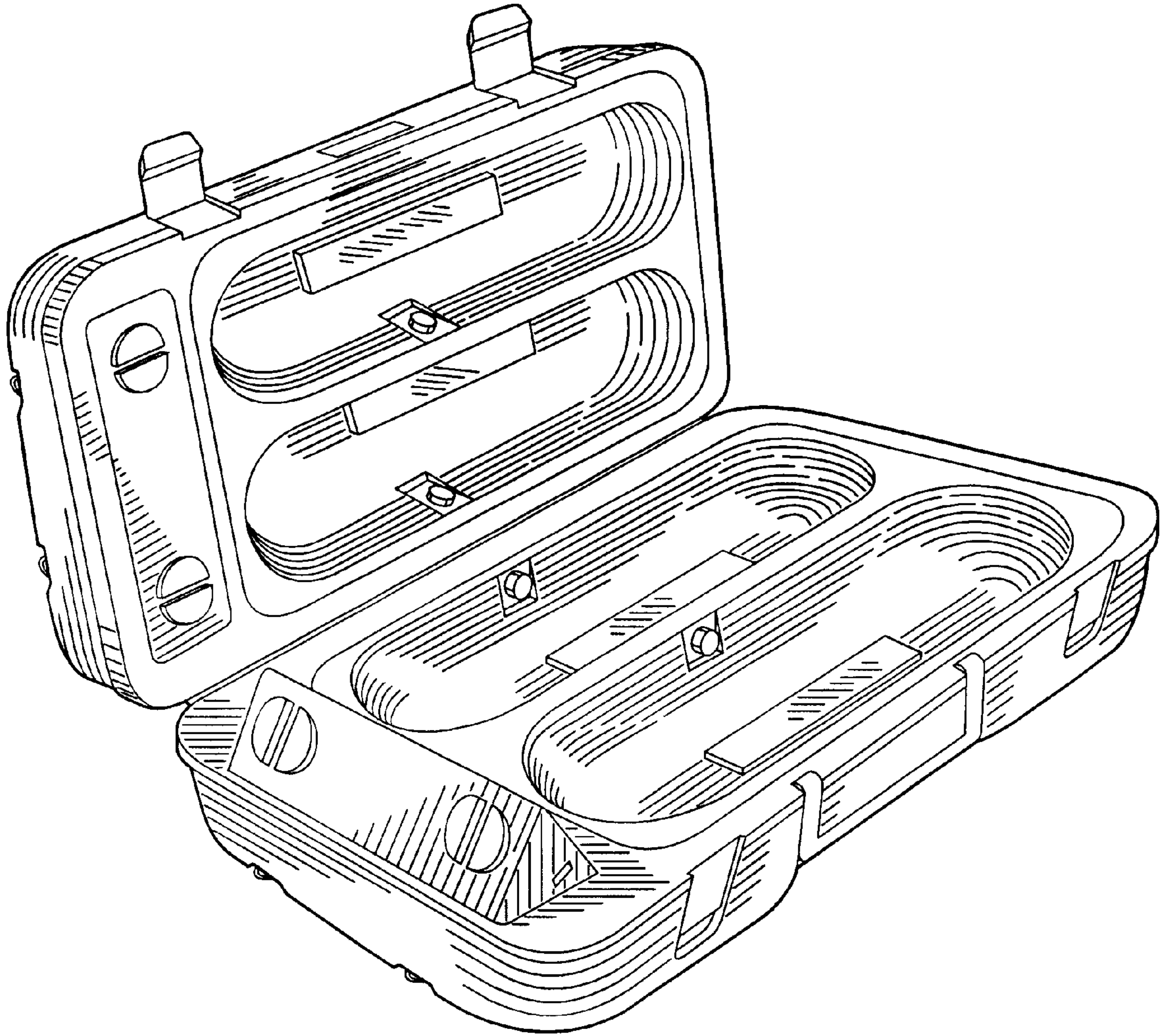


Fig. 5

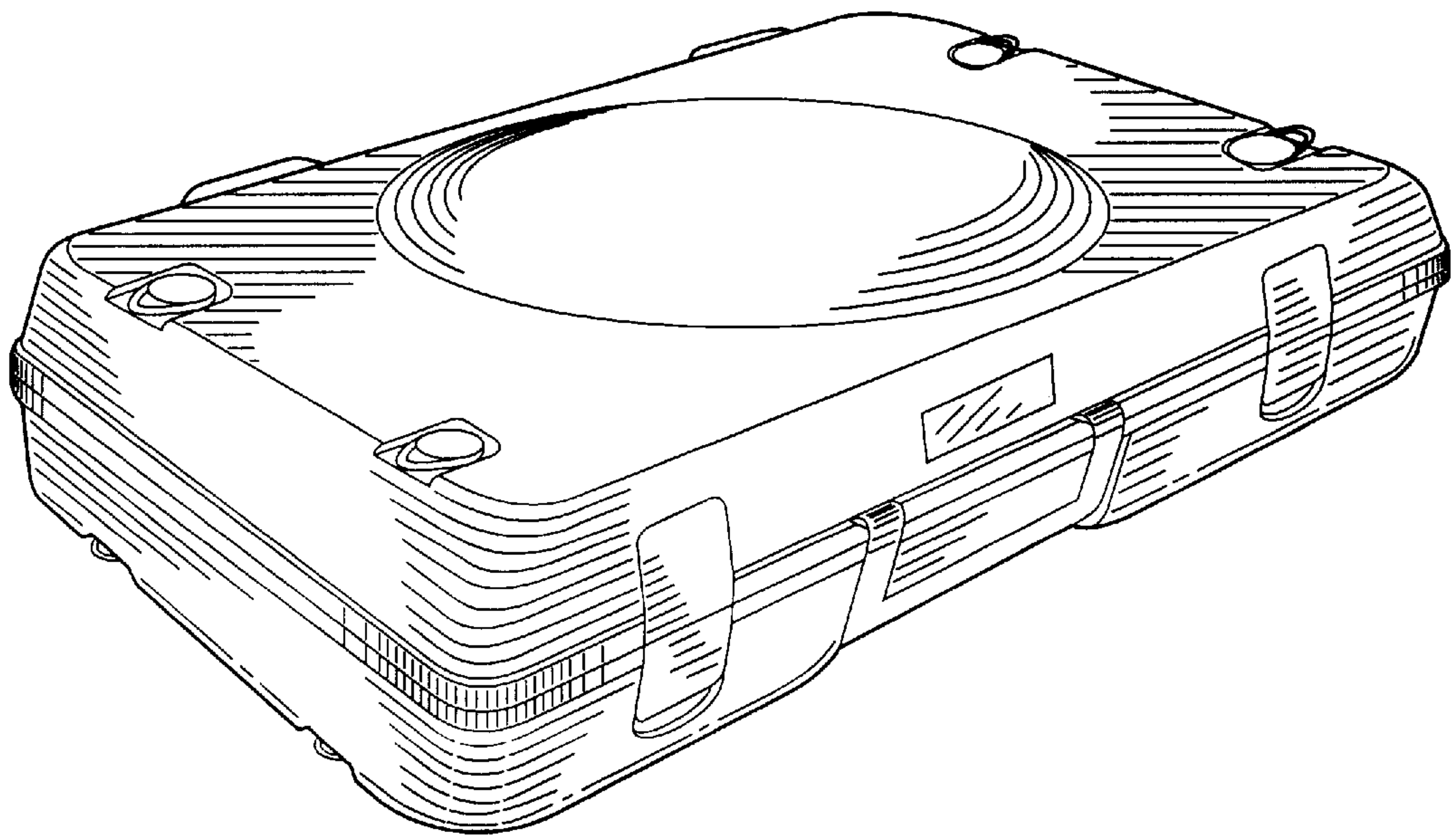


Fig. 6