



US00D427742S

United States Patent [19]
McCormack et al.

[11] **Patent Number: Des. 427,742**
[45] **Date of Patent: ** Jul. 4, 2000**

[54] **INTERACTIVE KIOSK**

[76] Inventors: **David McCormack**, 9 Hilbre Court,
South Parade, West Kirby, United
Kingdom, CH 48 3JU; **Jonathan
White**, 22 Arundel Gardens, London,
United Kingdom, W11 2LB

[**] Term: **14 Years**

[21] Appl. No.: **29/110,469**

[22] Filed: **Sep. 8, 1999**

[30] **Foreign Application Priority Data**

May 13, 1999 [GB] United Kingdom 2083299

[51] **LOC (7) Cl.** **99-00**

[52] **U.S. Cl.** **D99/28; D99/35**

[58] **Field of Search** D99/28, 35, 41,
D99/43; D20/1, 10; D14/100, 103, 130,
144; 109/24.1, 1 V; 221/99, 197; 235/379,
380, 381; D6/300, 308, 436

[56] **References Cited**

U.S. PATENT DOCUMENTS

- D. 291,379 8/1987 Gengler et al. D99/28
- D. 330,983 11/1992 DeMoss D20/1 X
- D. 377,170 1/1997 Wilson D14/130

- D. 377,784 2/1997 Wilson D14/100
- D. 378,534 3/1997 Kato et al. D20/10
- D. 391,565 3/1998 Nanjo D14/130
- D. 401,973 12/1998 Isshiki et al. D20/10
- D. 402,782 12/1998 Johnson D99/28
- D. 407,755 4/1999 Isshiki et al. D20/10
- D. 412,233 7/1999 Cajacob et al. D99/28
- D. 415,330 10/1999 King D99/28
- D. 417,440 12/1999 Wilson D14/100

Primary Examiner—Paula A. Mortimer
Attorney, Agent, or Firm—Townsend and Townsend and
Crew, LLP

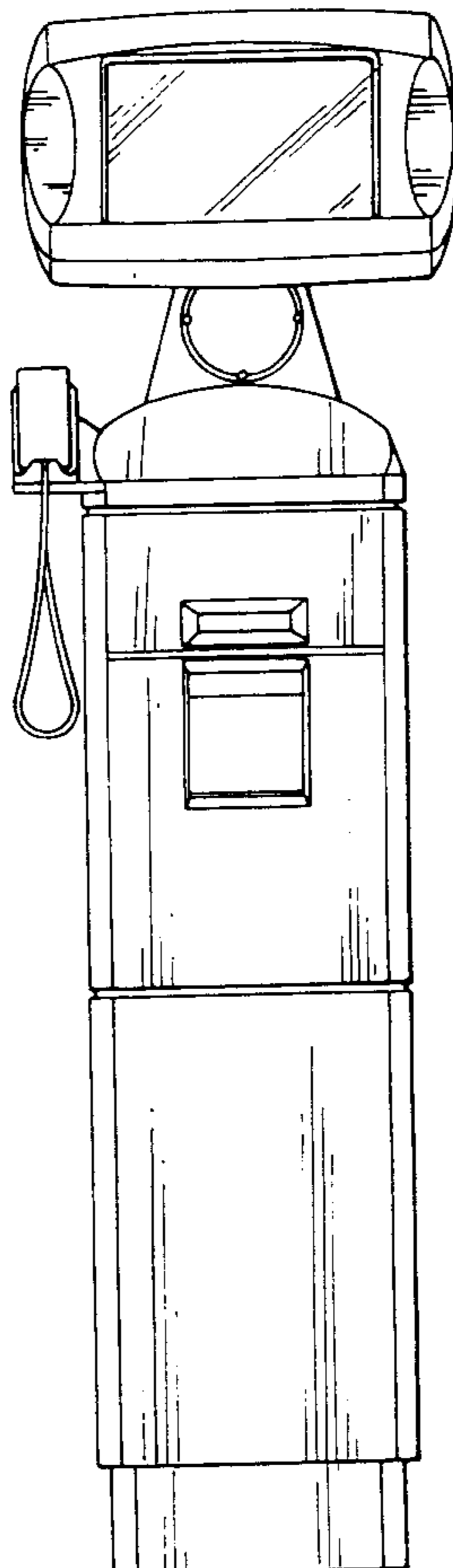
[57] **CLAIM**

The ornamental design for interactive kiosk, as shown and
described.

DESCRIPTION

FIG. 1 is a left side elevational view;
FIG. 2 is a front elevational view;
FIG. 3 is a rear elevational view;
FIG. 4 is a right side elevational view;
FIG. 5 is a top plan view;
FIG. 6 is a bottom plan view;
FIG. 7 is an exploded left side elevational view; and,
FIG. 8 is an exploded front elevational view.

1 Claim, 4 Drawing Sheets



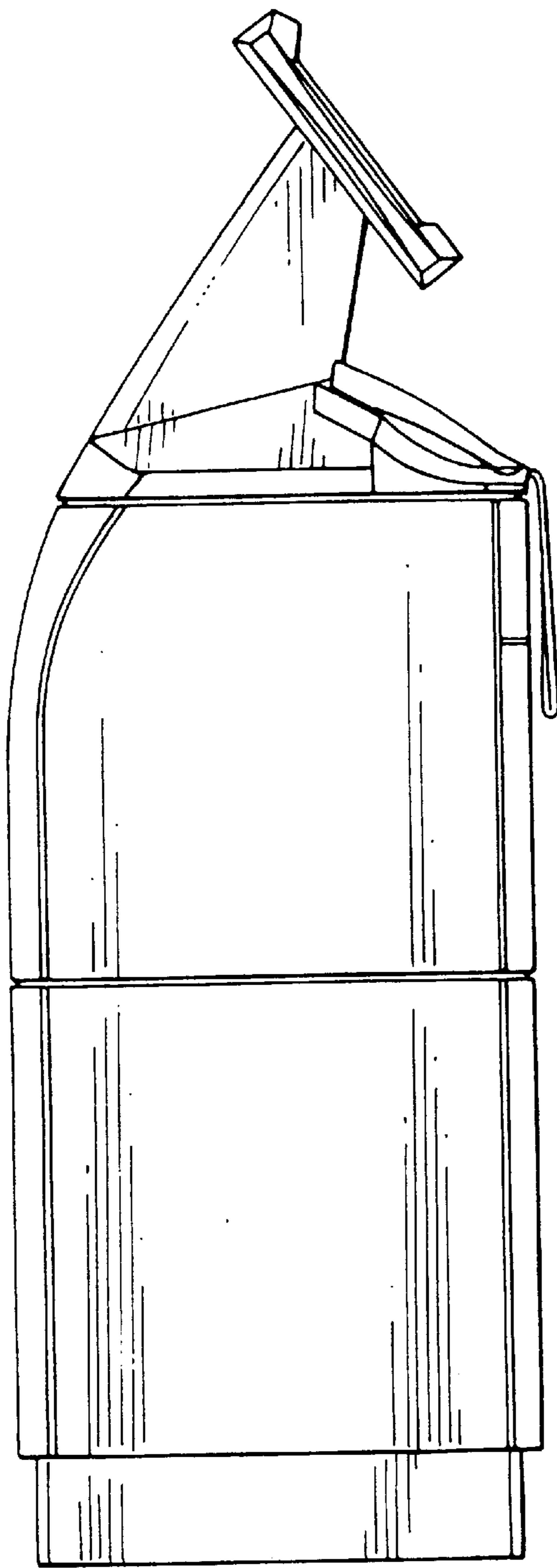


FIG. 1

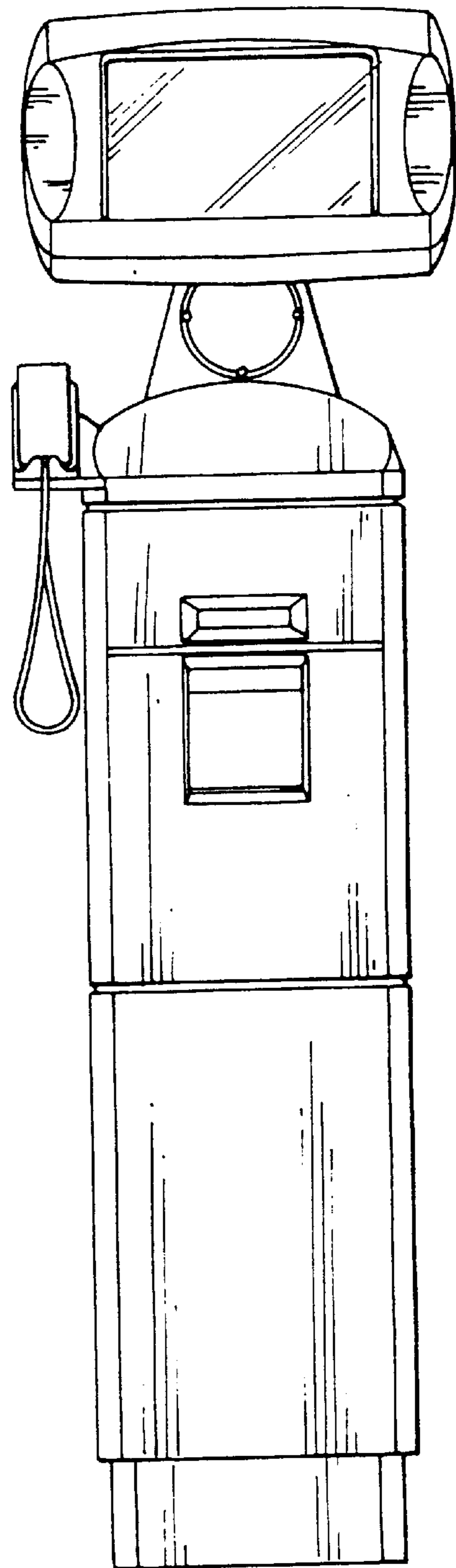


FIG. 2

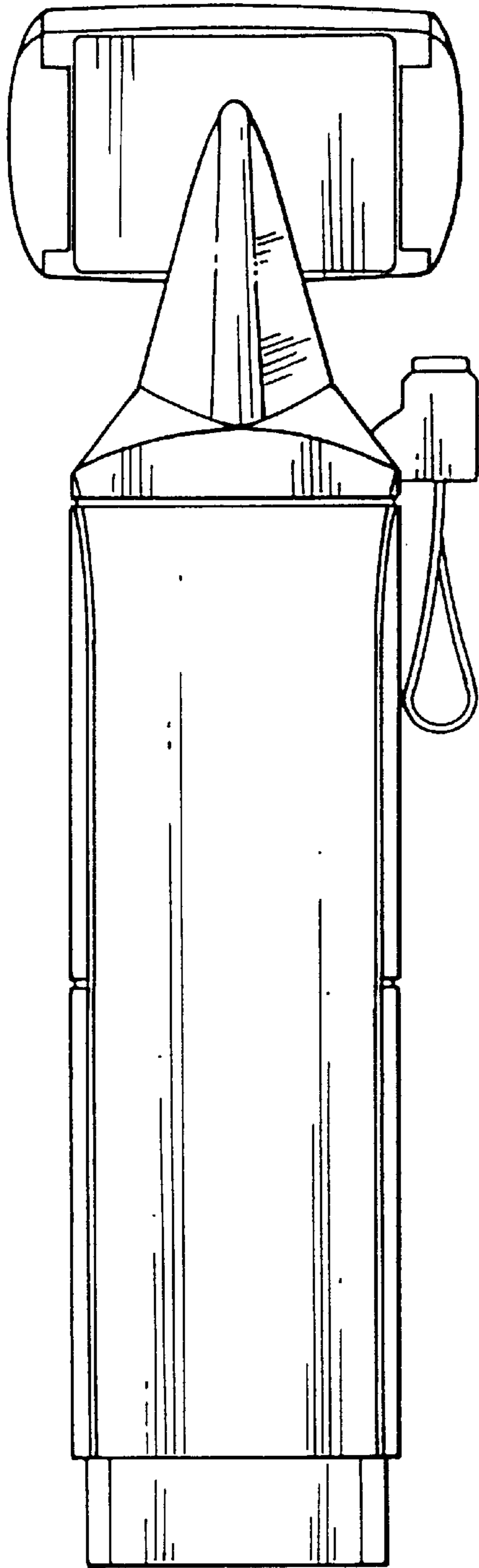


FIG. 3

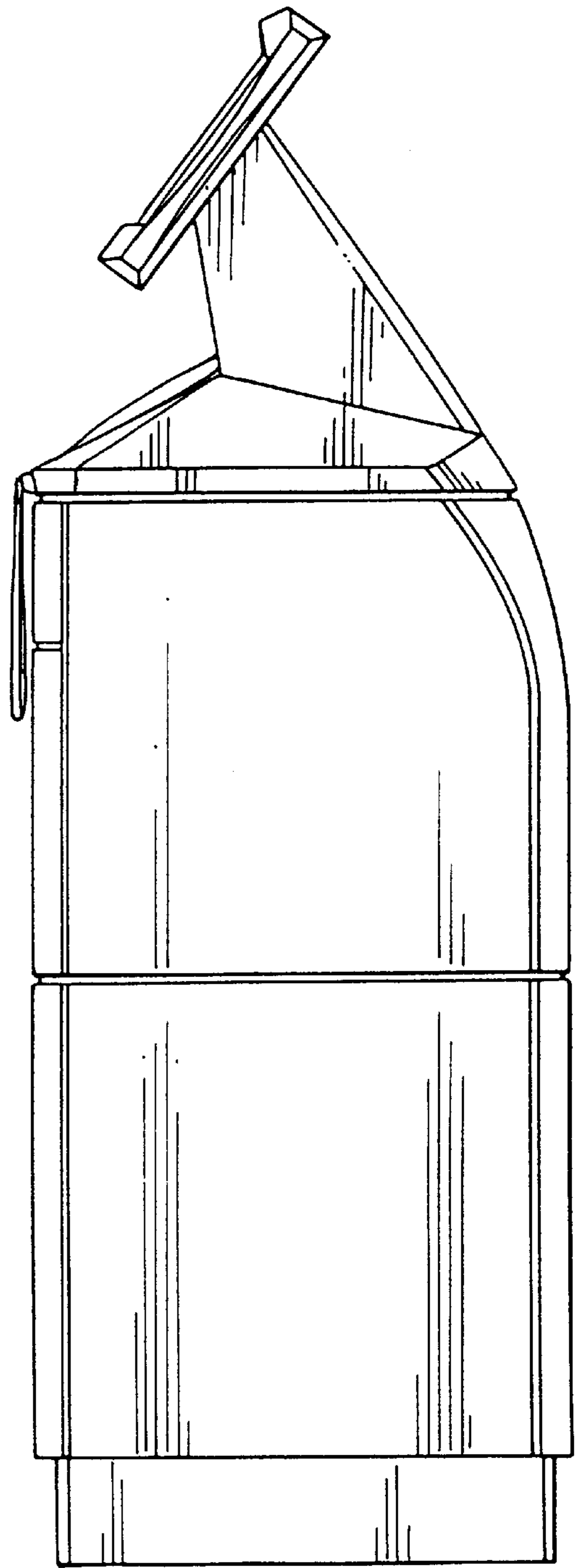


FIG. 4

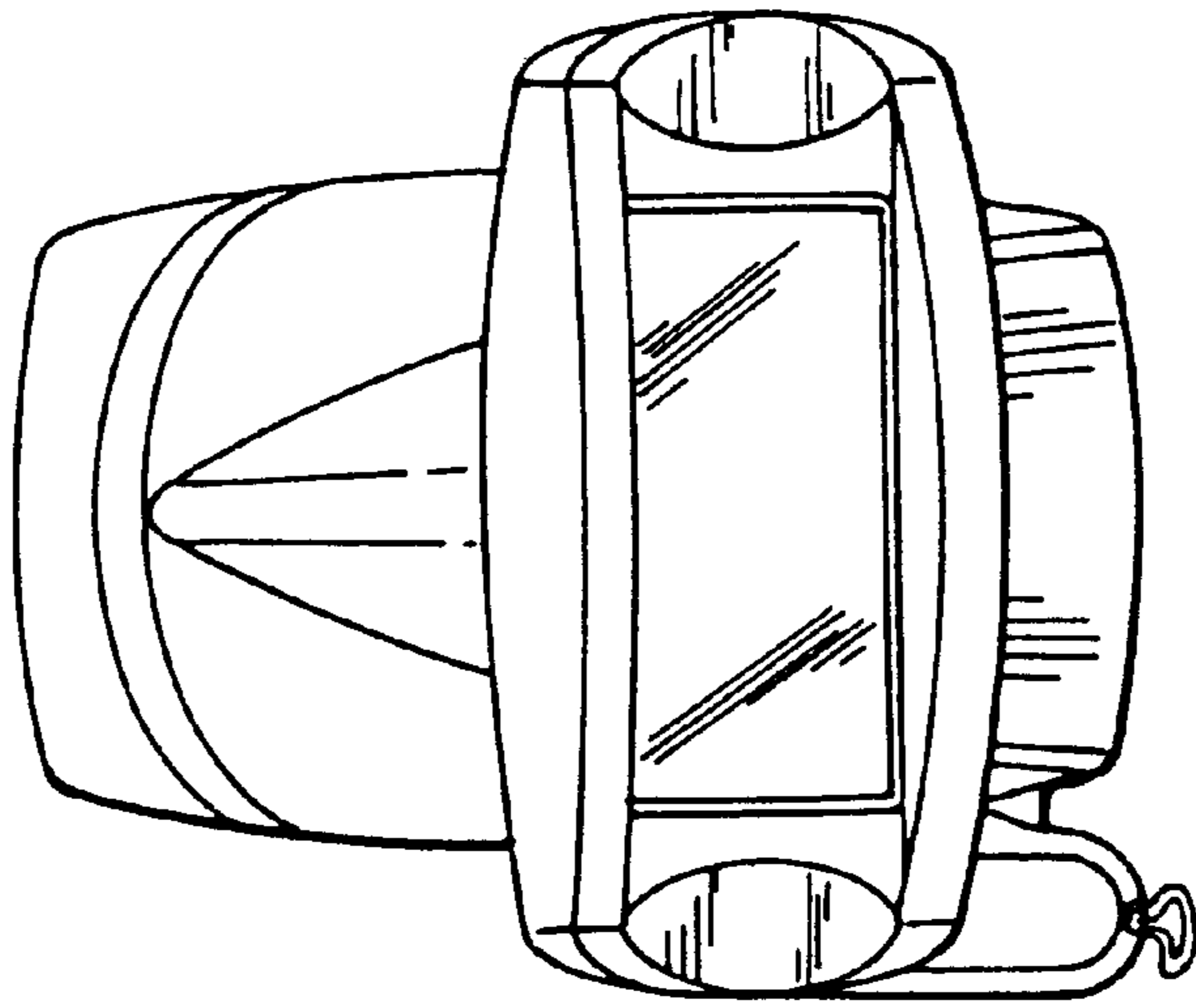


FIG. 5

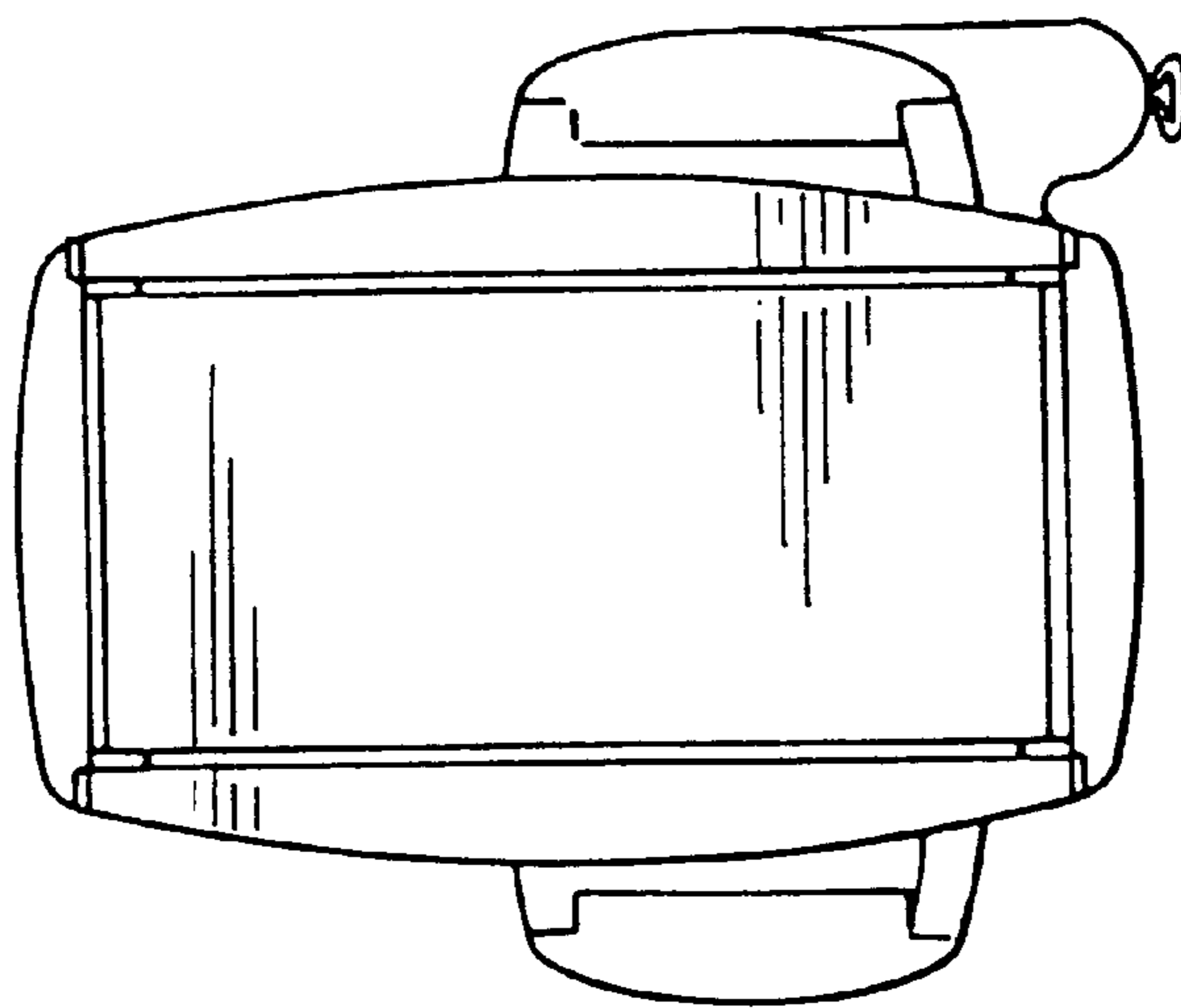


FIG. 6

