



US00D427740S

United States Patent [19]
Hurt

[11] **Patent Number: Des. 427,740**
[45] **Date of Patent: ** Jul. 4, 2000**

[54] **PORTABLE TOOL ORGANIZER** D. 409,346 5/1999 Hurt D34/24
D. 409,347 5/1999 Hurt D34/24

[75] Inventor: **Daniel P. Hurt**, Edina, Minn.

[73] Assignee: **Product Marketing Junction, Inc.**,
Farmington, Minn.

[**] Term: **14 Years**

[21] Appl. No.: **29/108,219**

[22] Filed: **Jul. 22, 1999**

[51] **LOC (7) Cl.** **12-02**

[52] **U.S. Cl.** **D34/24; D34/26**

[58] **Field of Search** D34/12-27; 280/47.19,
280/47.28, 639, 652, 47.29, 33.992; D3/315

[56] **References Cited**

U.S. PATENT DOCUMENTS

D. 401,729 11/1998 Wu D34/26
D. 404,182 1/1999 Hurt D34/24

Primary Examiner—Kay H. Chin
Attorney, Agent, or Firm—Haugen Law Firm PLLP

[57] **CLAIM**

The ornamental design for a portable tool organizer, as shown and described.

DESCRIPTION

FIG. 1 is a perspective view of a portable tool organizer design;
FIG. 2 is a front elevational view of the design;
FIG. 3 is a side elevational view of the design, with the opposite side being a mirror image thereof;
FIG. 4 is a rear elevational view of the design;
FIG. 5 is a top plan view of the design; and,
FIG. 6 is a bottom plan view of the design.

1 Claim, 6 Drawing Sheets

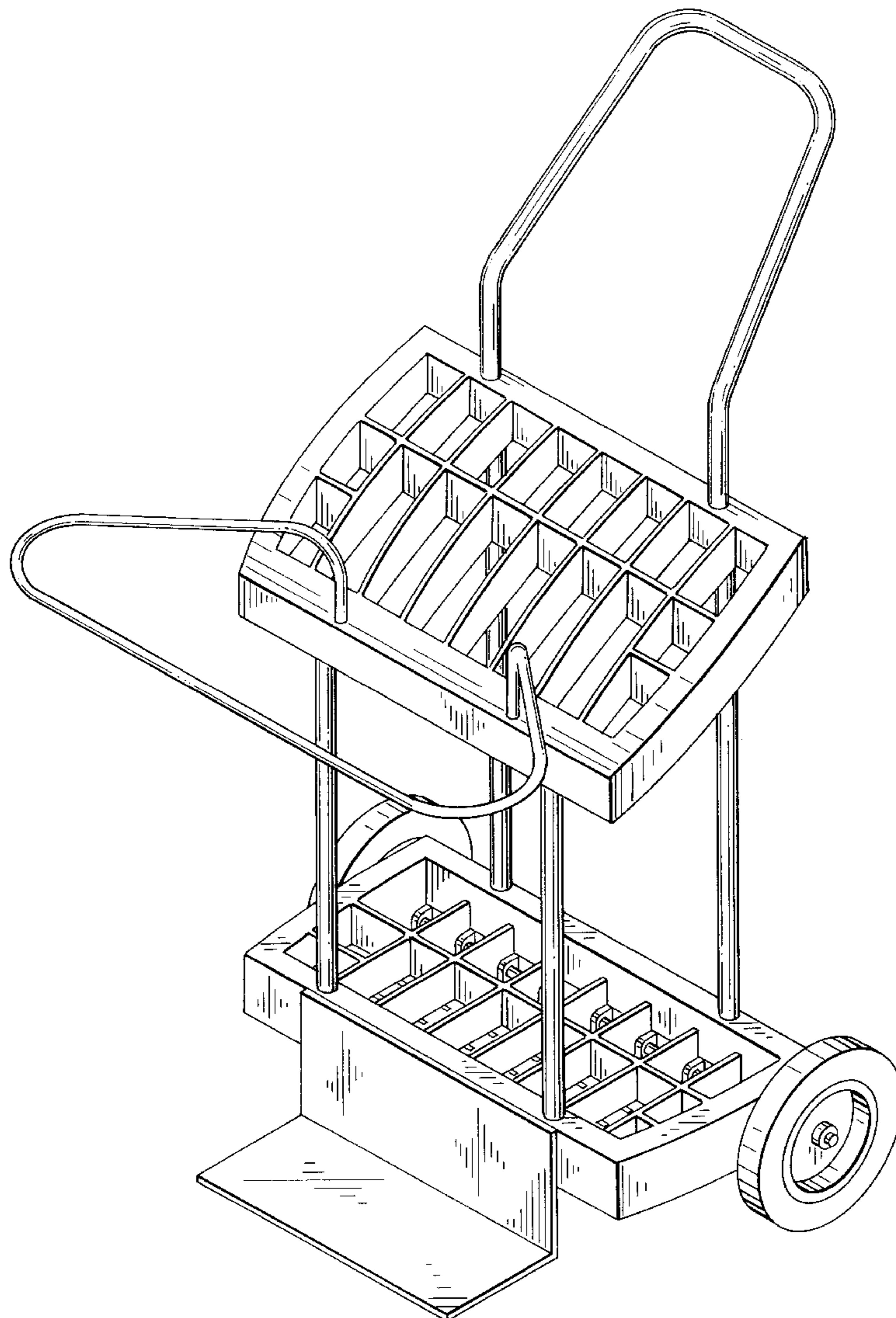


Fig. -1

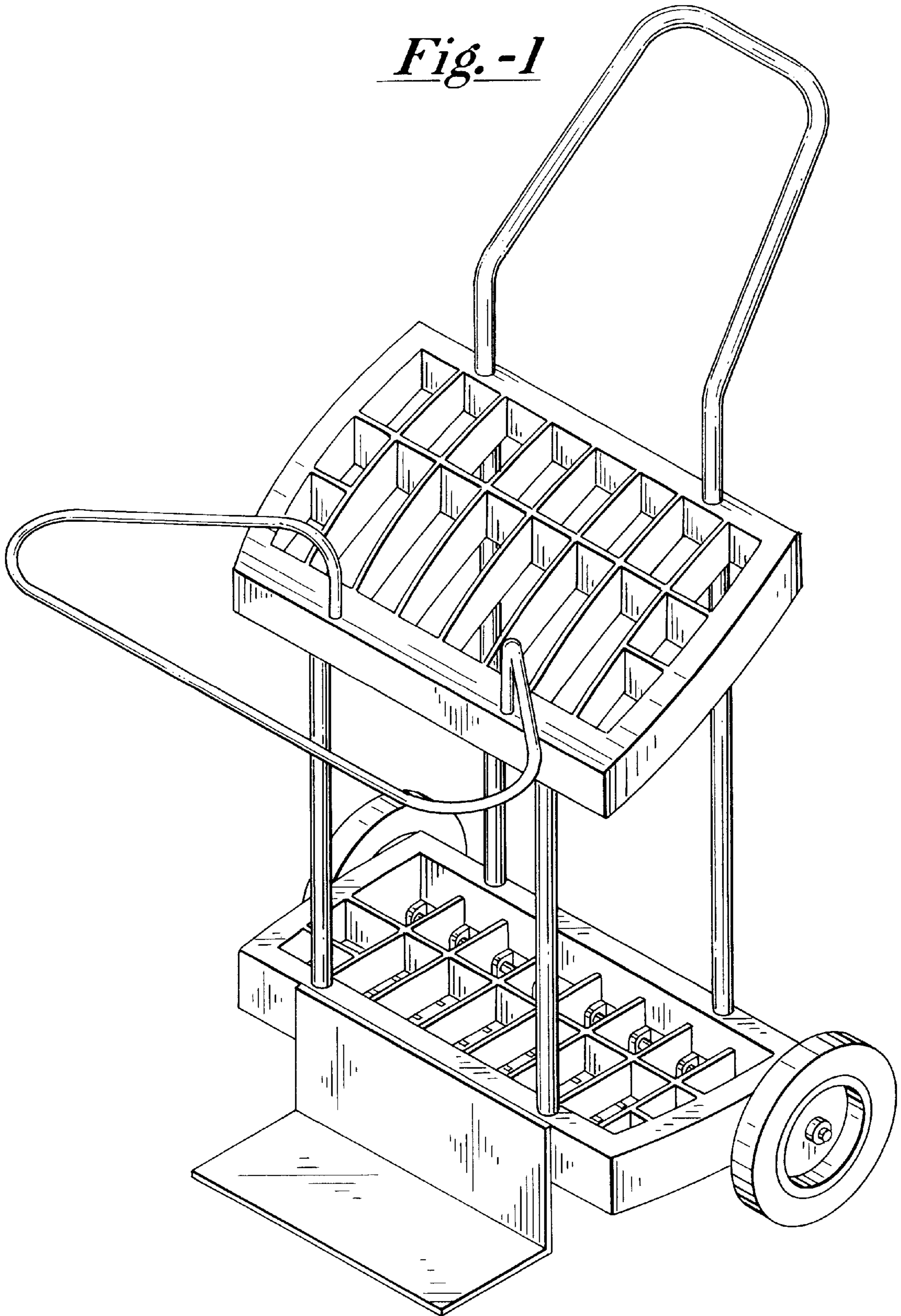


Fig.-2

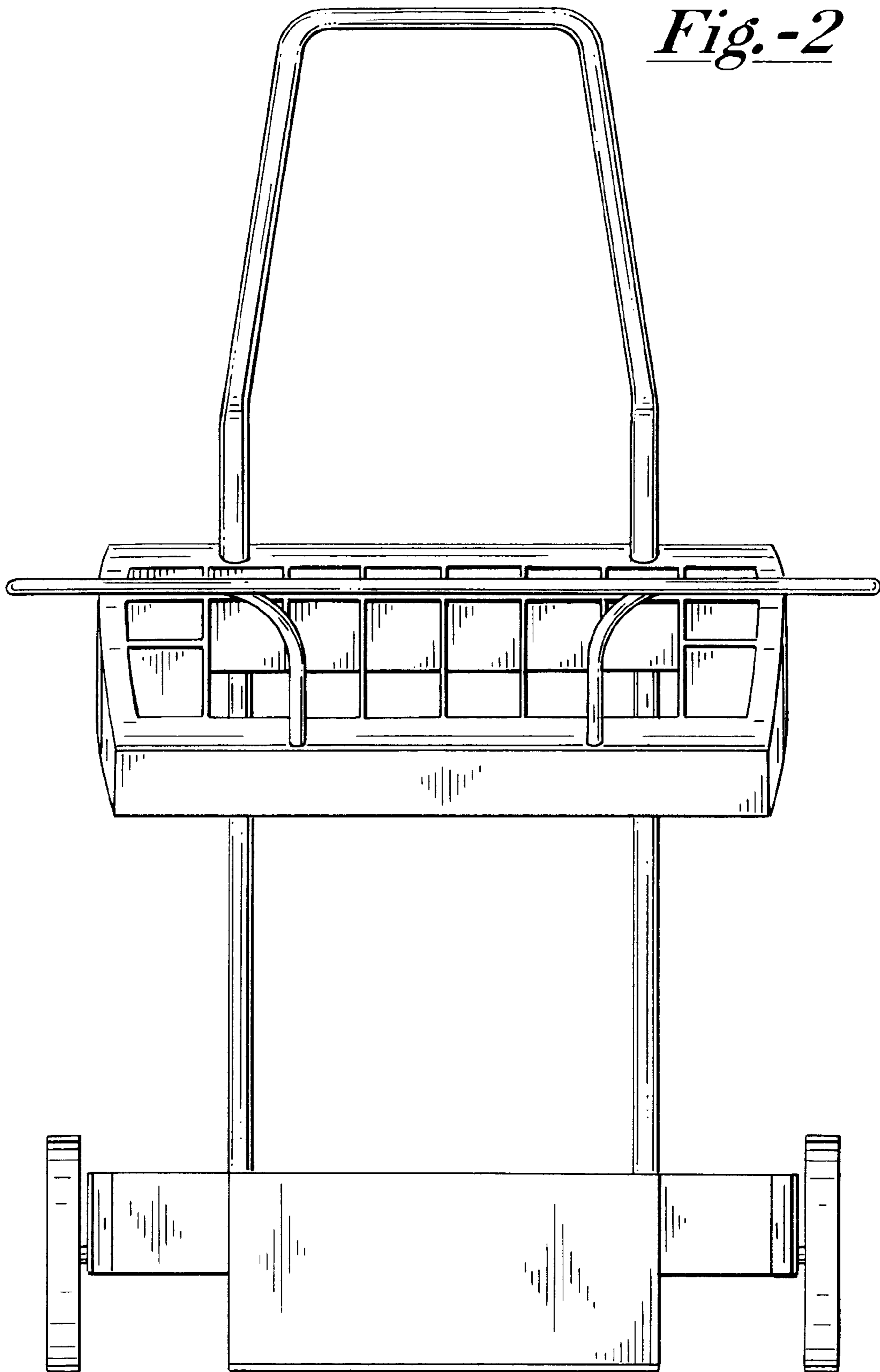


Fig. -3

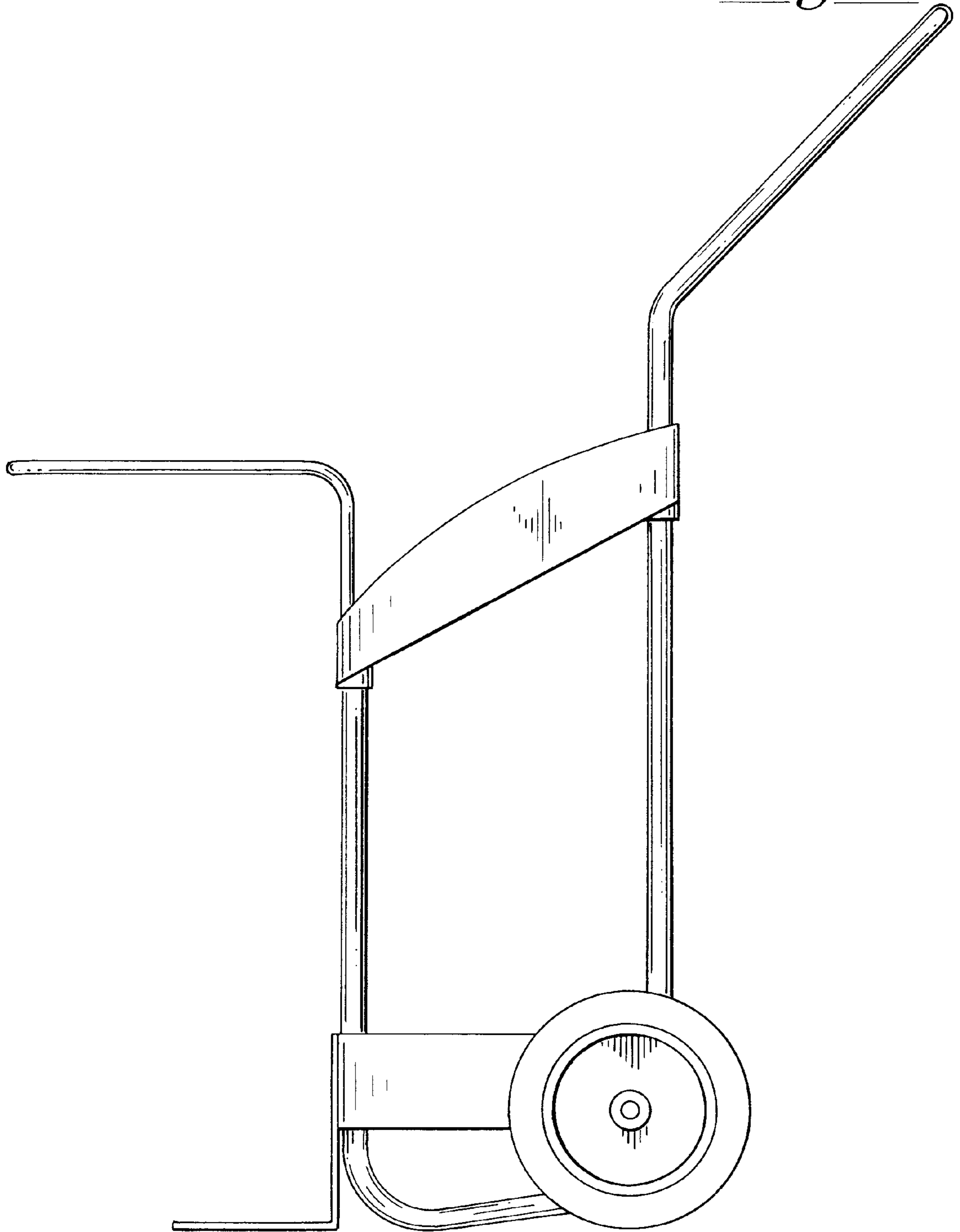


Fig. -4

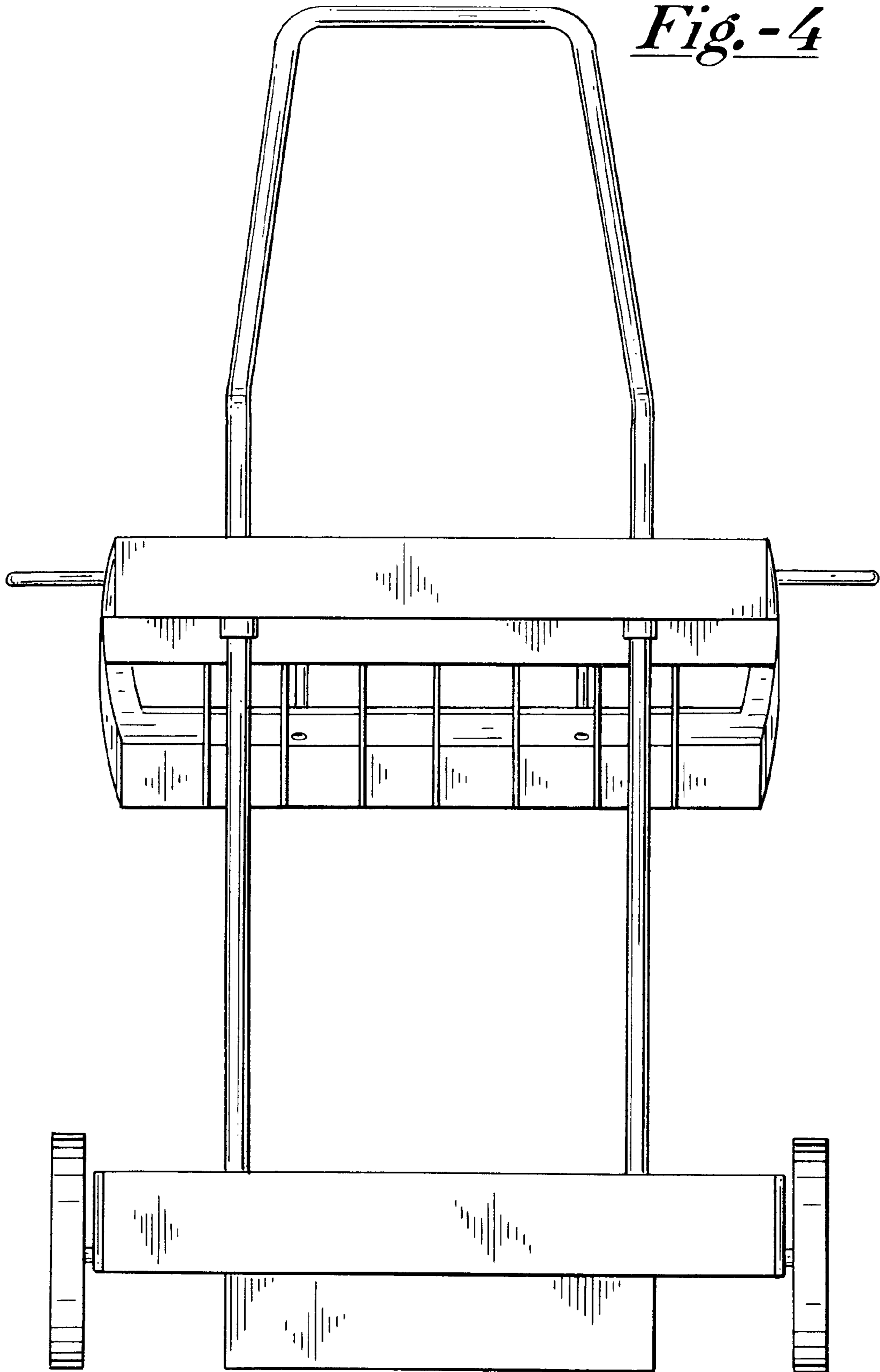


Fig. -5

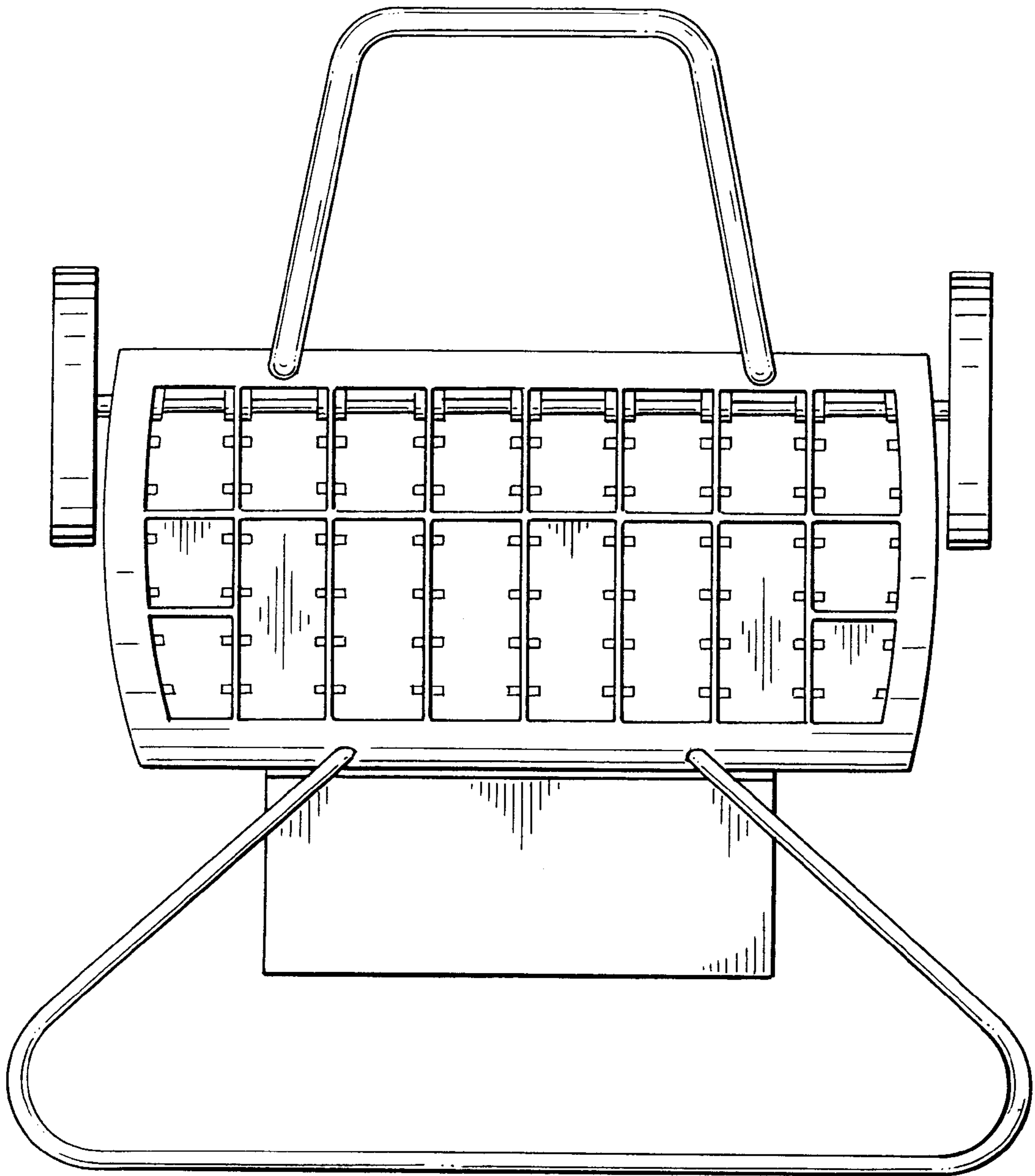


Fig. - 6

