



US00D427737S

United States Patent [19]

Dyson et al.

[11] Patent Number: **Des. 427,737**

[45] Date of Patent: **** Jul. 4, 2000**

[54] **VACUUM CLEANER FLOOR TOOL**

[75] Inventors: **James Dyson**, Little Somerford, Nr. Chippenham; **Micheal Jackson Hill**, Compton Martin; **Howard Charles Fulford**, Chippenham, all of United Kingdom

[73] Assignee: **Notetry Limited**, Little Somerford, United Kingdom

[**] Term: **14 Years**

[21] Appl. No.: **29/095,695**

[22] Filed: **Oct. 28, 1998**

[30] **Foreign Application Priority Data**

Apr. 28, 1998 [GB] United Kingdom 2074319

[51] **LOC (7) Cl.** **15-05**

[52] **U.S. Cl.** **D32/32**

[58] **Field of Search** D32/31-33, 22; 15/329, 322, 415.1, 410, 416, 422

[56] **References Cited**

U.S. PATENT DOCUMENTS

D. 295,092 4/1988 Mizuno et al. D32/32

D. 312,904	12/1990	Worwag	D32/32
D. 333,021	2/1993	Breur	D32/32
D. 333,032	2/1993	Hatfield	D2/970
D. 333,539	2/1993	Kramer et al.	D32/32
D. 359,604	6/1995	Sovis et al.	D32/22
D. 382,681	8/1997	Thomas	D32/22
D. 399,618	10/1998	Jacobs	D32/22

Primary Examiner—Ruth McInroy
Attorney, Agent, or Firm—Ian C. McLeod

[57] **CLAIM**

The ornamental design for a vacuum cleaner floor tool, as shown and described.

DESCRIPTION

FIG. 1 is a front elevational view of a vacuum cleaner floor tool showing our new design; FIG. 2 is a rear elevational view thereof; FIG. 3 is a right side view thereof; FIG. 4 is a left side view thereof; FIG. 5 is a top plan view thereof; FIG. 6 is a bottom plan view thereof; and, FIG. 7 is a perspective view thereof.

1 Claim, 4 Drawing Sheets

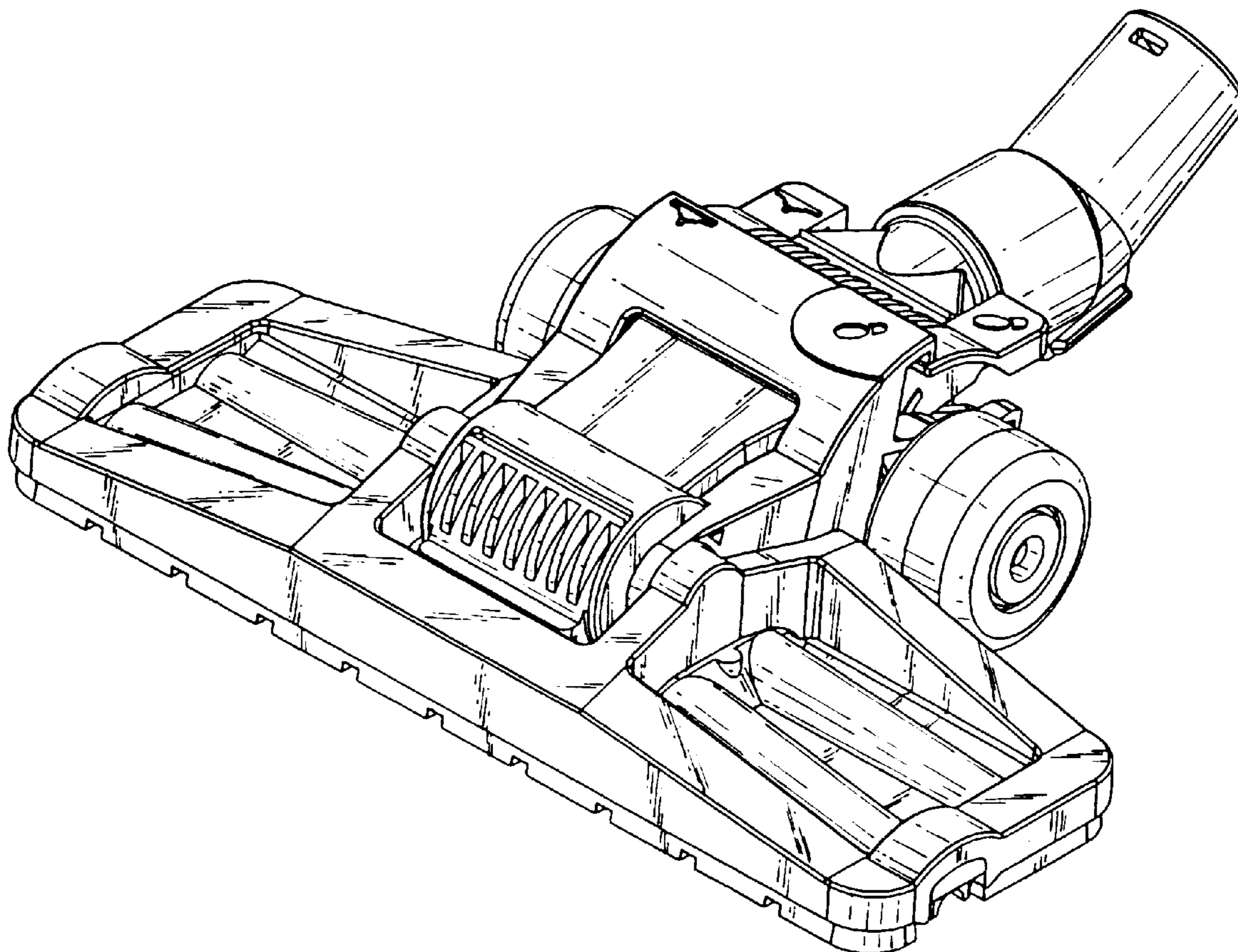


Fig. 1

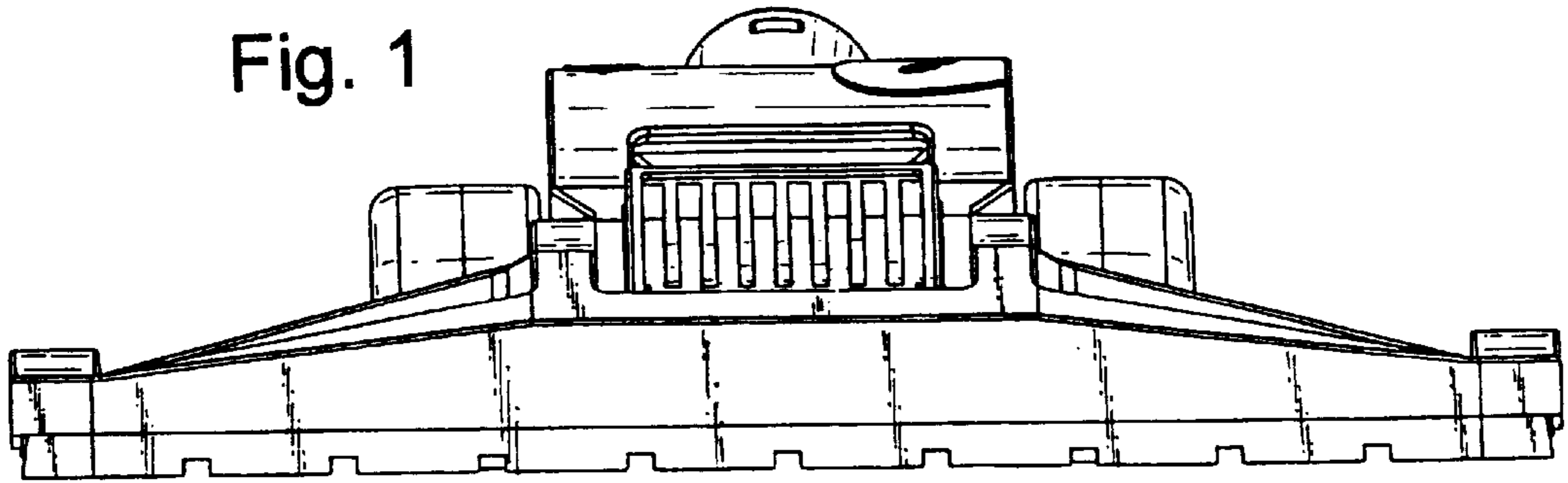


Fig. 2

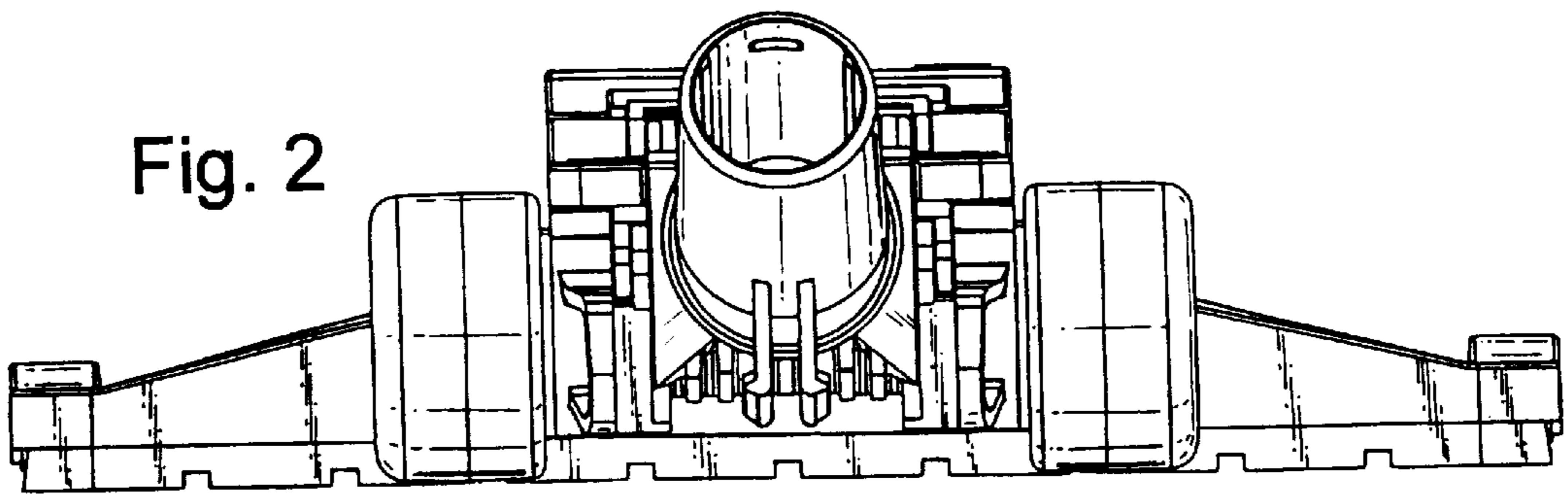


Fig. 3

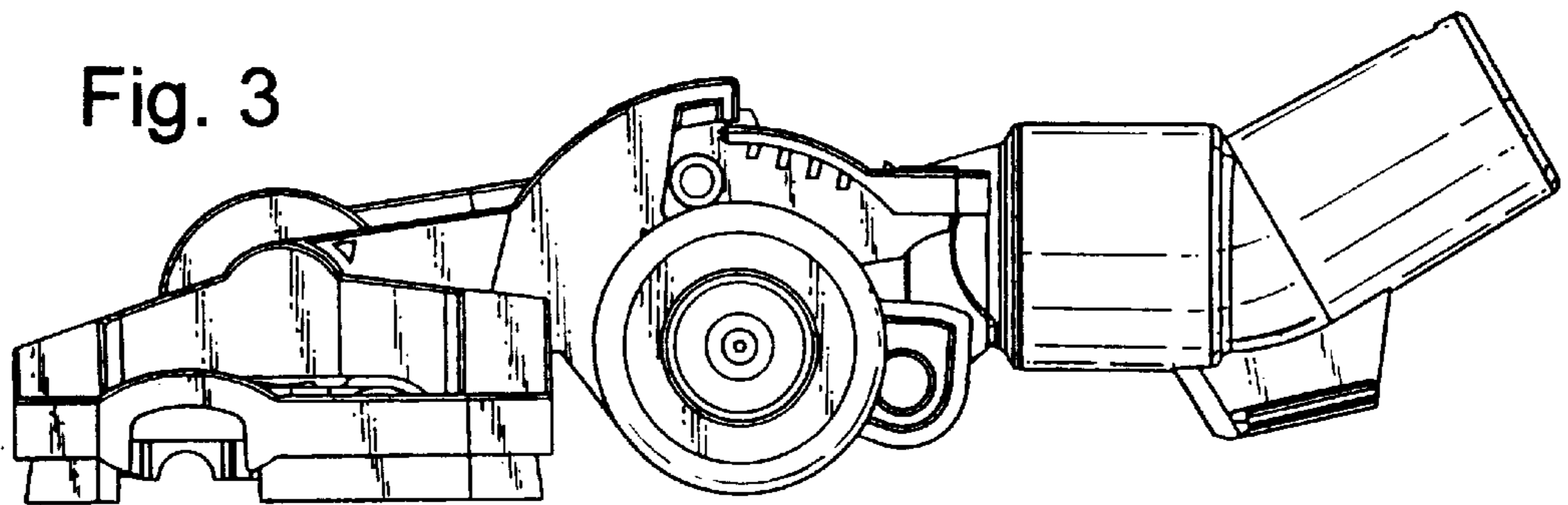


Fig. 4

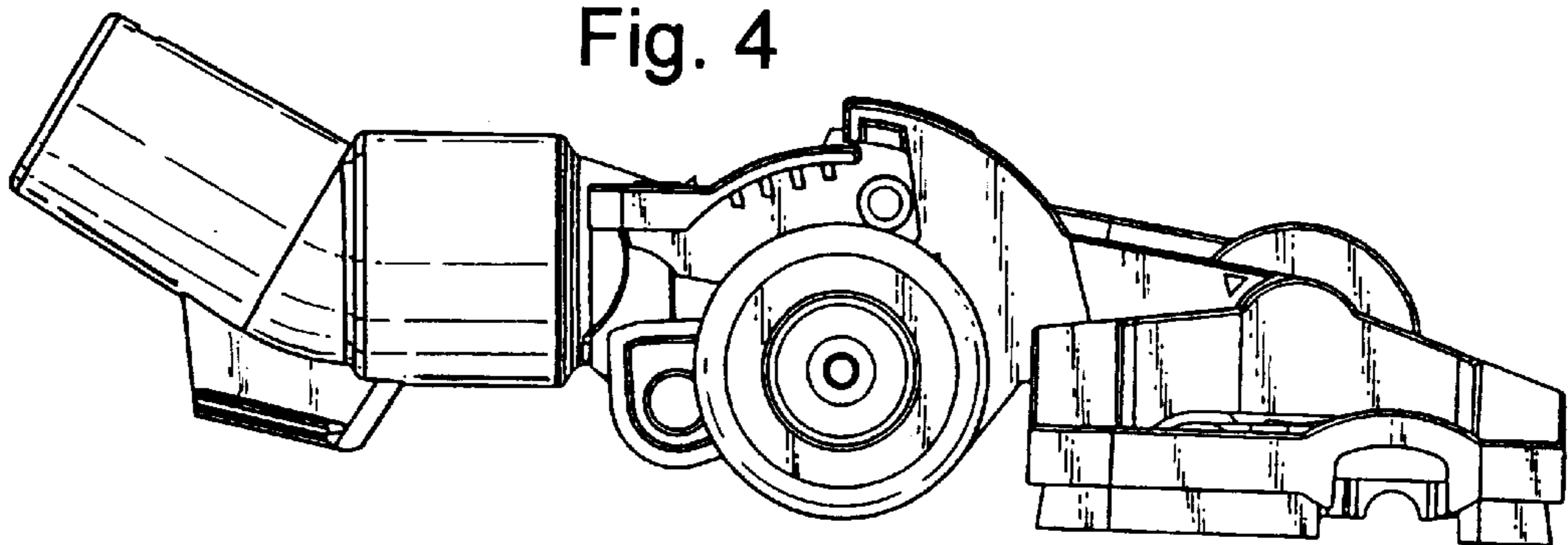


Fig. 5

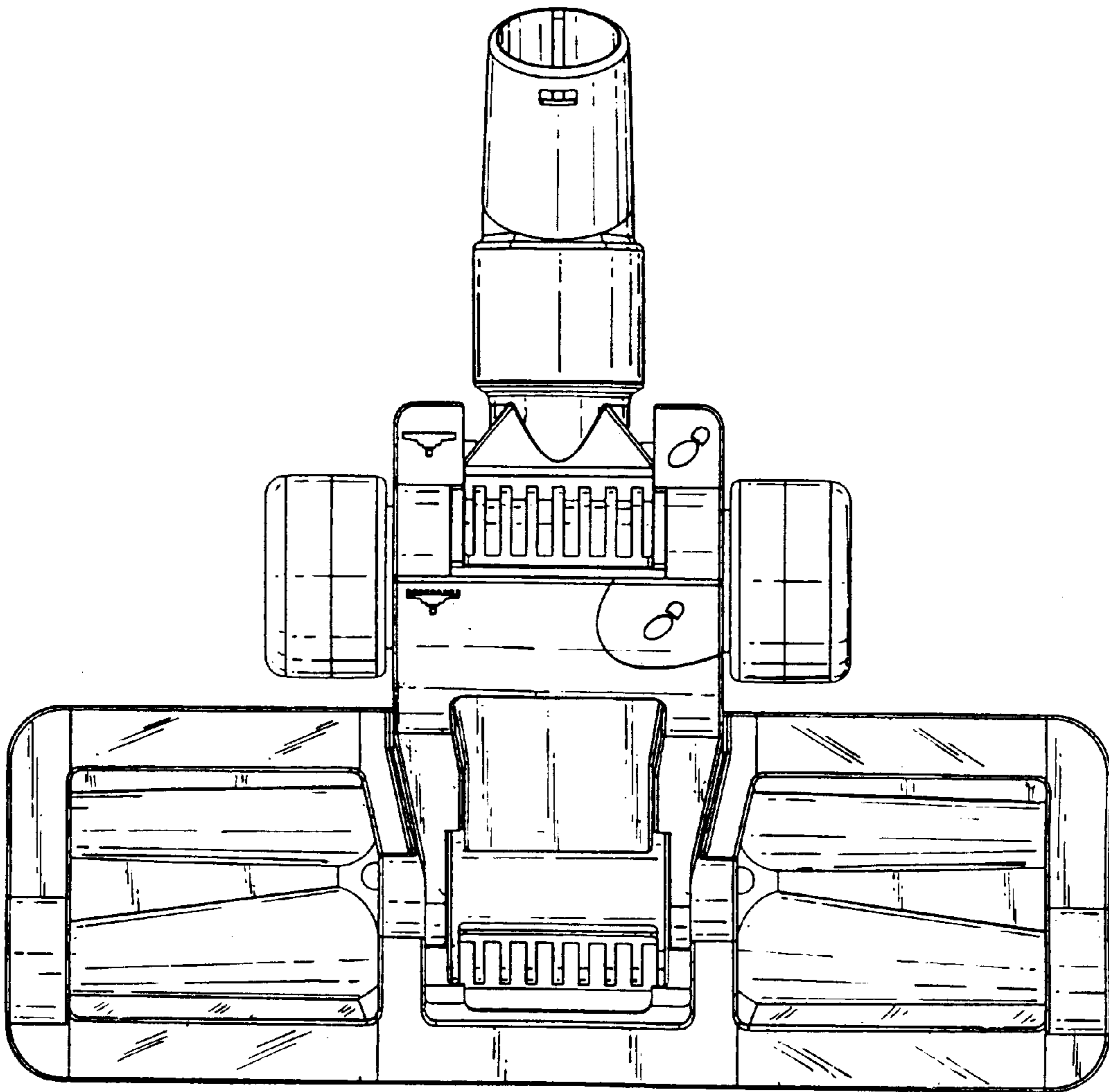


Fig. 6

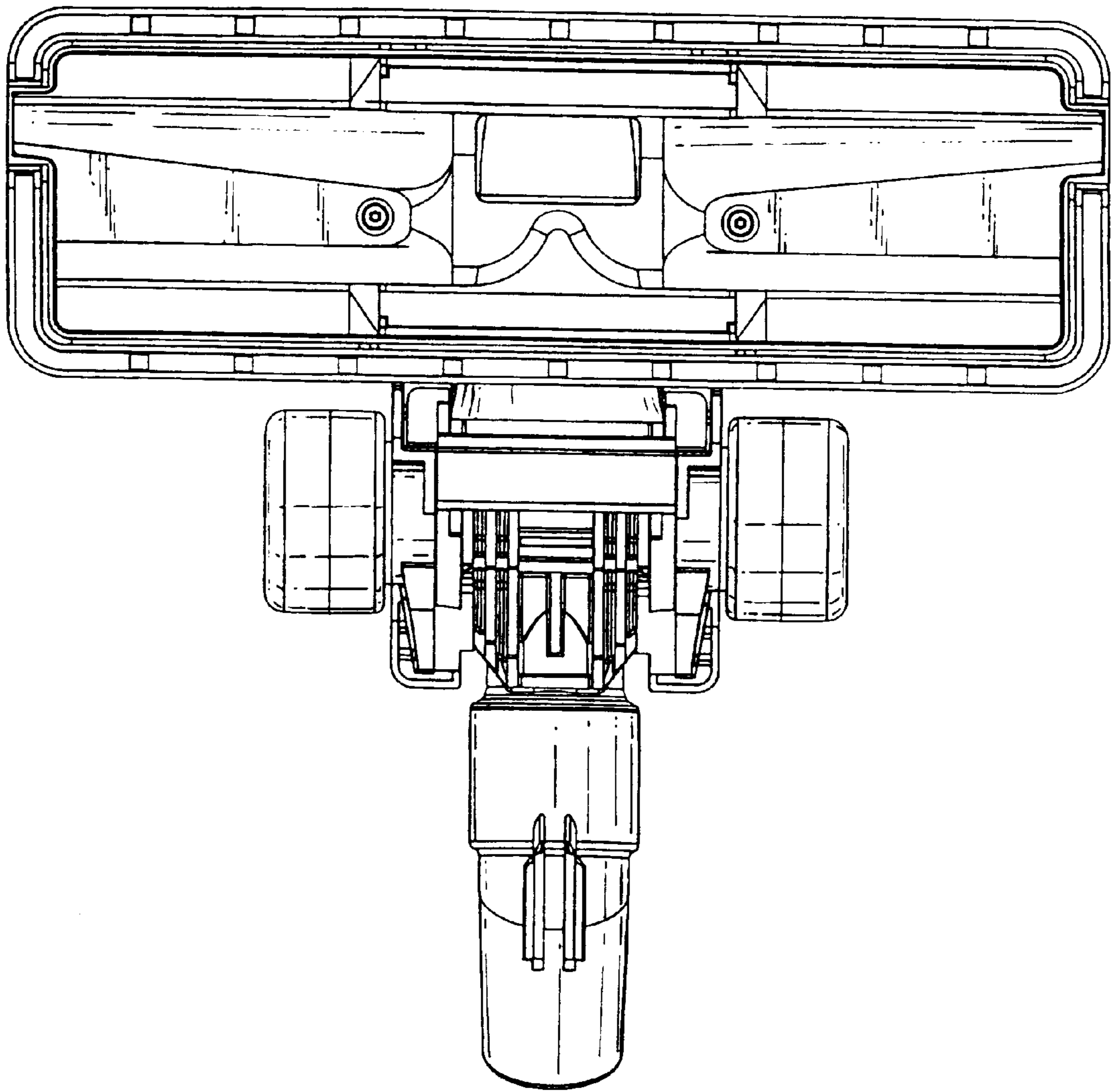


Fig. 7

