



US00D427736S

United States Patent [19]

Saunders et al.

[11] Patent Number: Des. 427,736

[45] Date of Patent: ** Jul. 4, 2000

[54] NOZZLE BASE FOR A VACUUM CLEANER

[75] Inventors: **Craig M. Saunders**, Rocky River; **Jeffrey M. Kalman**, Cleveland; **John S. Murphy**, Brookpark; **Richard C. Farone**, Willoughby; **Robert A. Matousek**, Lakewood; **Michael F. Wright**, Stow; **David M. Brickner**, Willoughby, all of Ohio

[73] Assignee: **Royal Appliance Mfg. Co.**, Cleveland, Ohio

[**] Term: **14 Years**

[21] Appl. No.: **29/098,005**

[22] Filed: **Dec. 18, 1998**

[51] LOC (7) Cl. **15-05**

[52] U.S. Cl. **D32/31**

[58] Field of Search D32/17-18, 21-22, D32/31-34; 15/415.1-422.1, 320-322, 350-353, 323, 362, 410-412, 414, 347, 344

[56] **References Cited**

U.S. PATENT DOCUMENTS

D. 96,937	9/1935	Schaad	D32/22
D. 209,189	11/1967	Gantz	D32/22
D. 257,256	10/1980	Robinson	D32/33
D. 262,539	1/1982	Wareham	D32/22

D. 342,812	12/1993	Reath	D32/32
D. 352,809	11/1994	Reath	D32/31
D. 356,880	3/1995	Kieft	D32/31
D. 371,654	7/1996	Wörwag	.	
D. 378,005	2/1997	Rorke et al.	D32/33
D. 379,695	6/1997	Africa	D32/33
D. 398,097	9/1998	Murphy et al.	.	
1,829,582	10/1931	Carson	.	
5,765,258	6/1998	Melito et al.	.	

Primary Examiner—Ruth McInroy
Attorney, Agent, or Firm—Fay, Sharpe, Fagan, Minnich & McKee, LLP

[57] **CLAIM**

The ornamental design for a nozzle base for a vacuum cleaner, as shown and described.

DESCRIPTION

FIG. 1 is a perspective view of a nozzle base for a vacuum cleaner showing our new design; FIG. 2 is a top plan view thereof; FIG. 3 is a front elevational view thereof; FIG. 4 is a right side elevational view thereof; FIG. 5 is a left side elevational view thereof; FIG. 6 is a rear elevational view thereof; and, FIG. 7 is a bottom plan view thereof.

The parts shown in broken lines in FIG. 1 are shown for illustrative purposes only and form no part of the claimed design.

1 Claim, 7 Drawing Sheets

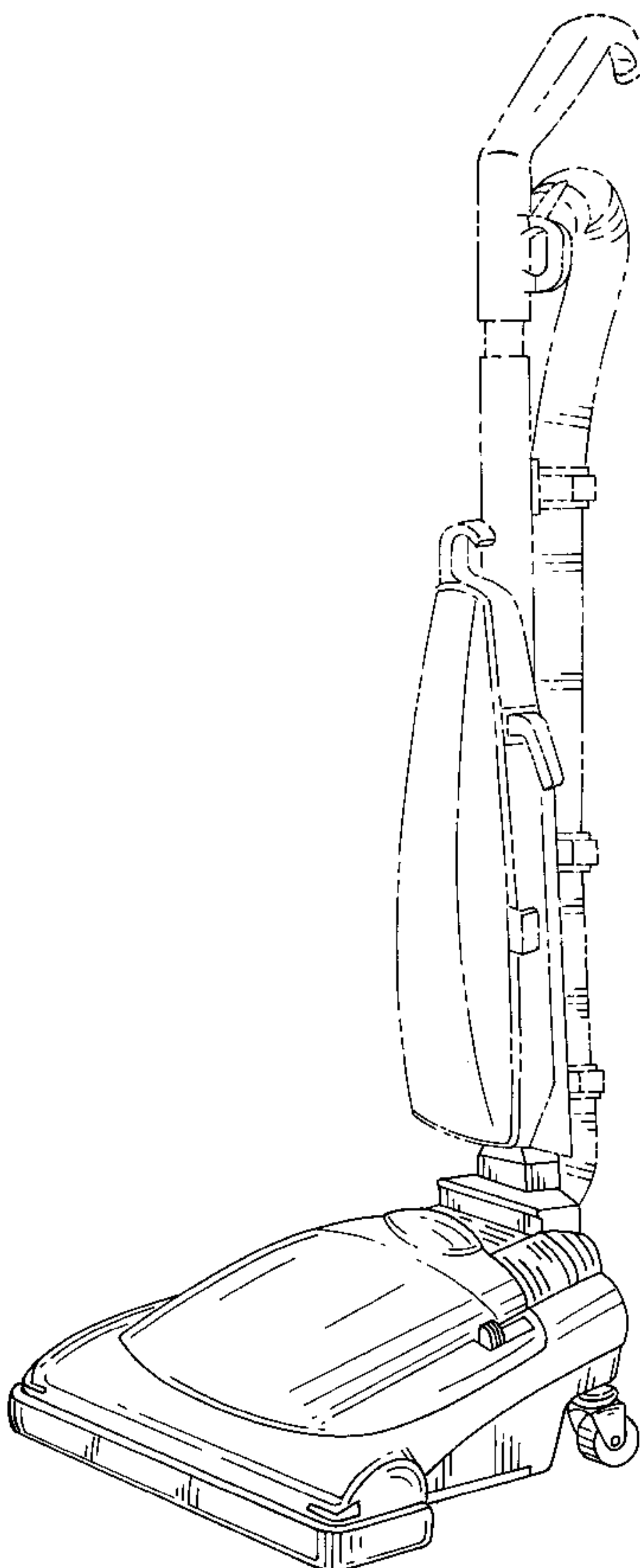
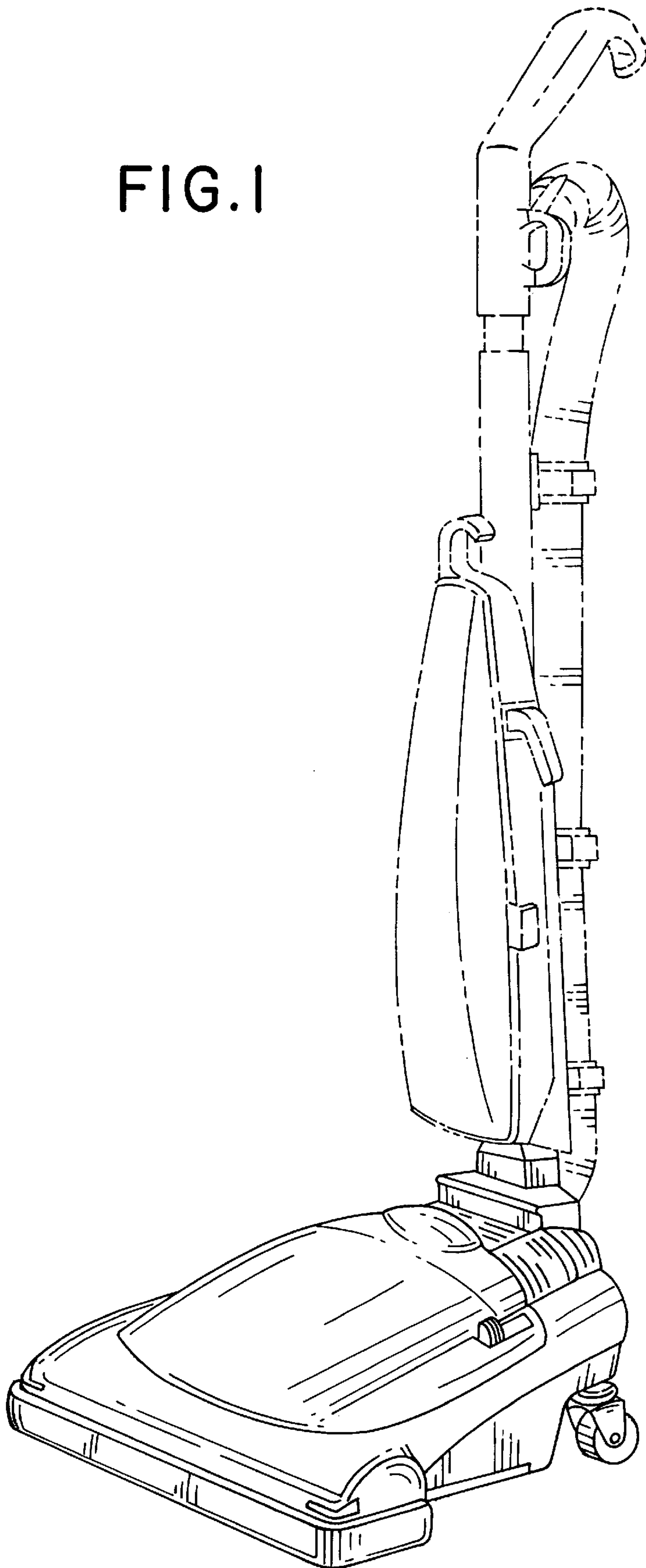


FIG. 1



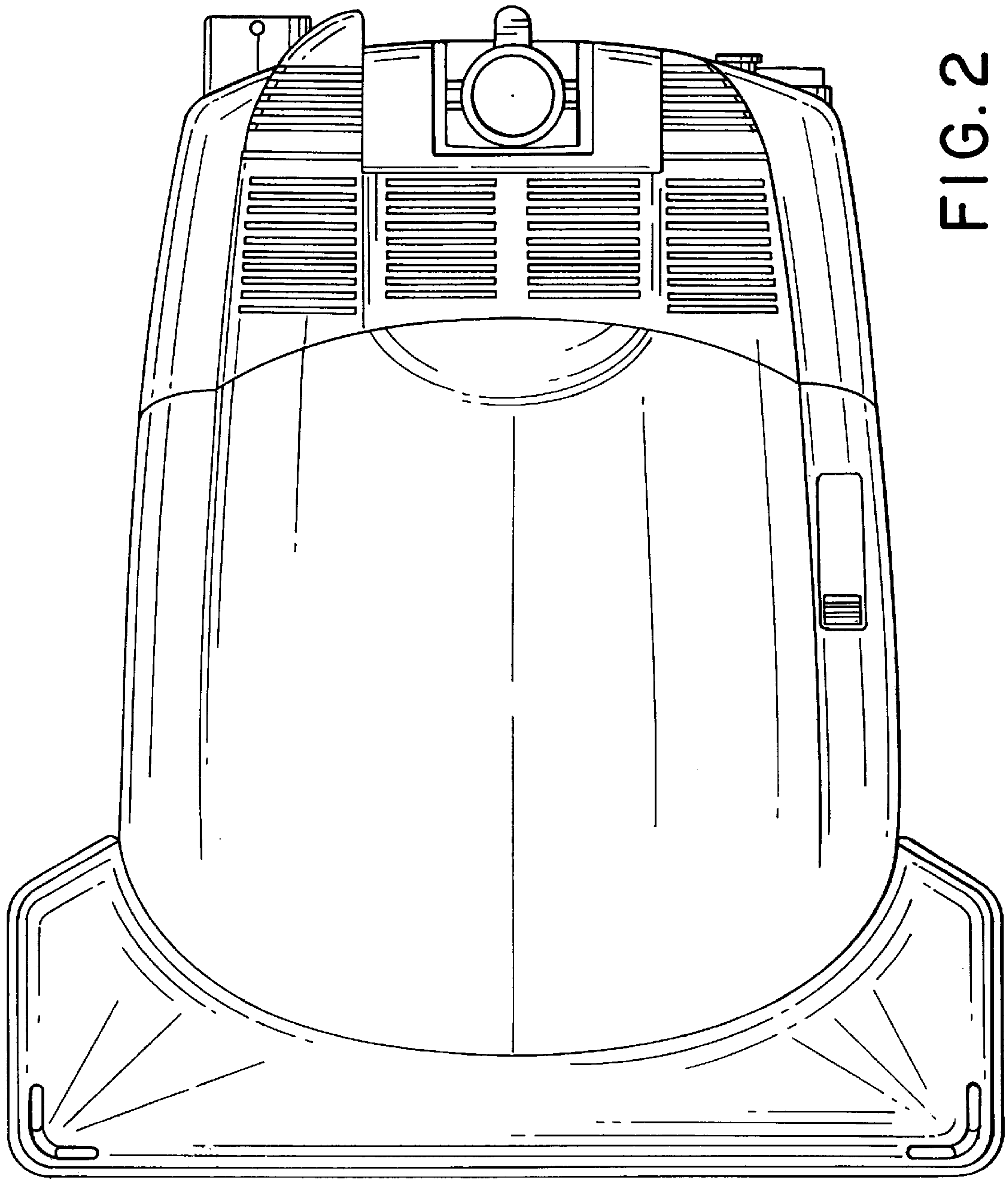


FIG. 2

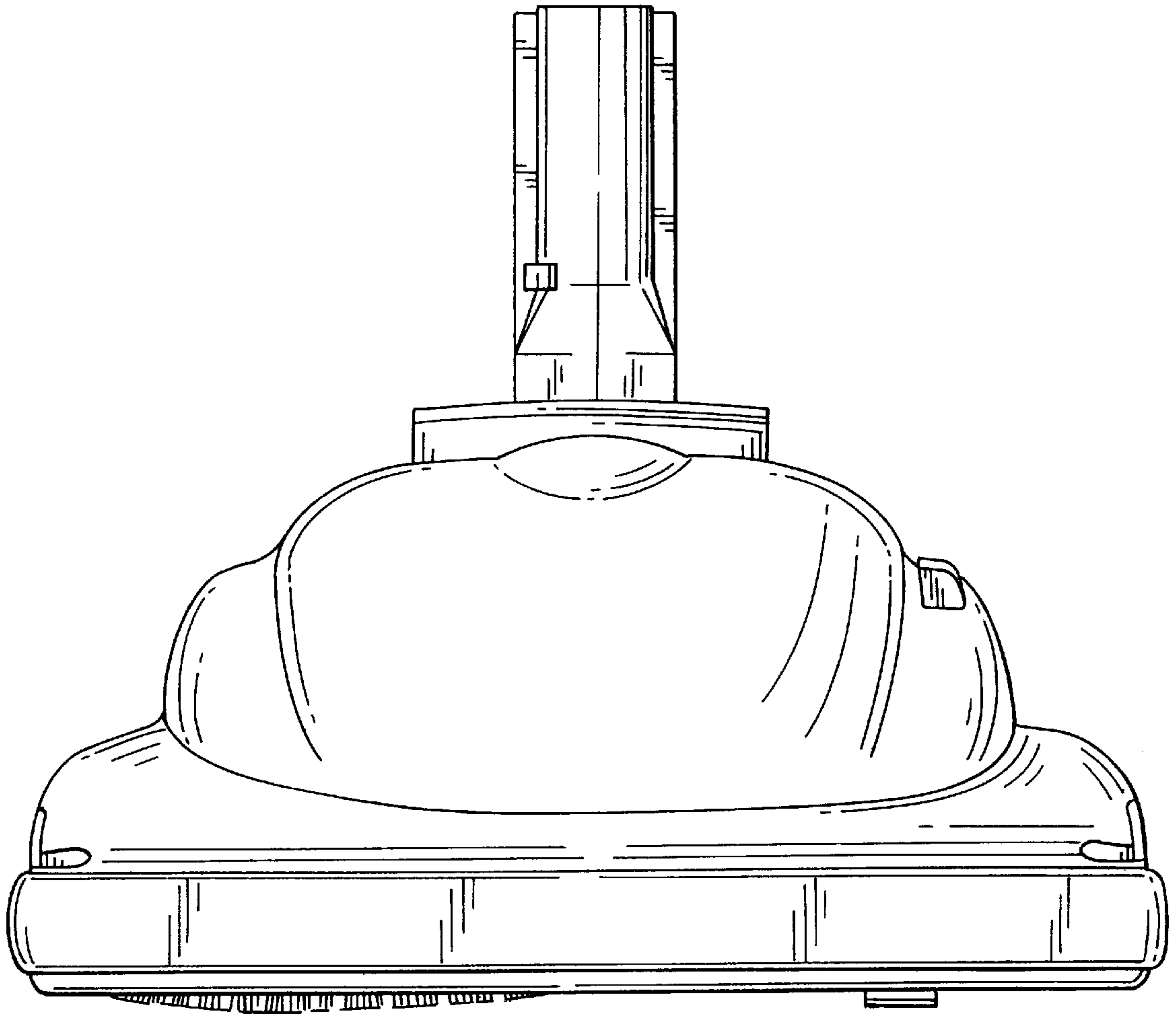


FIG. 3

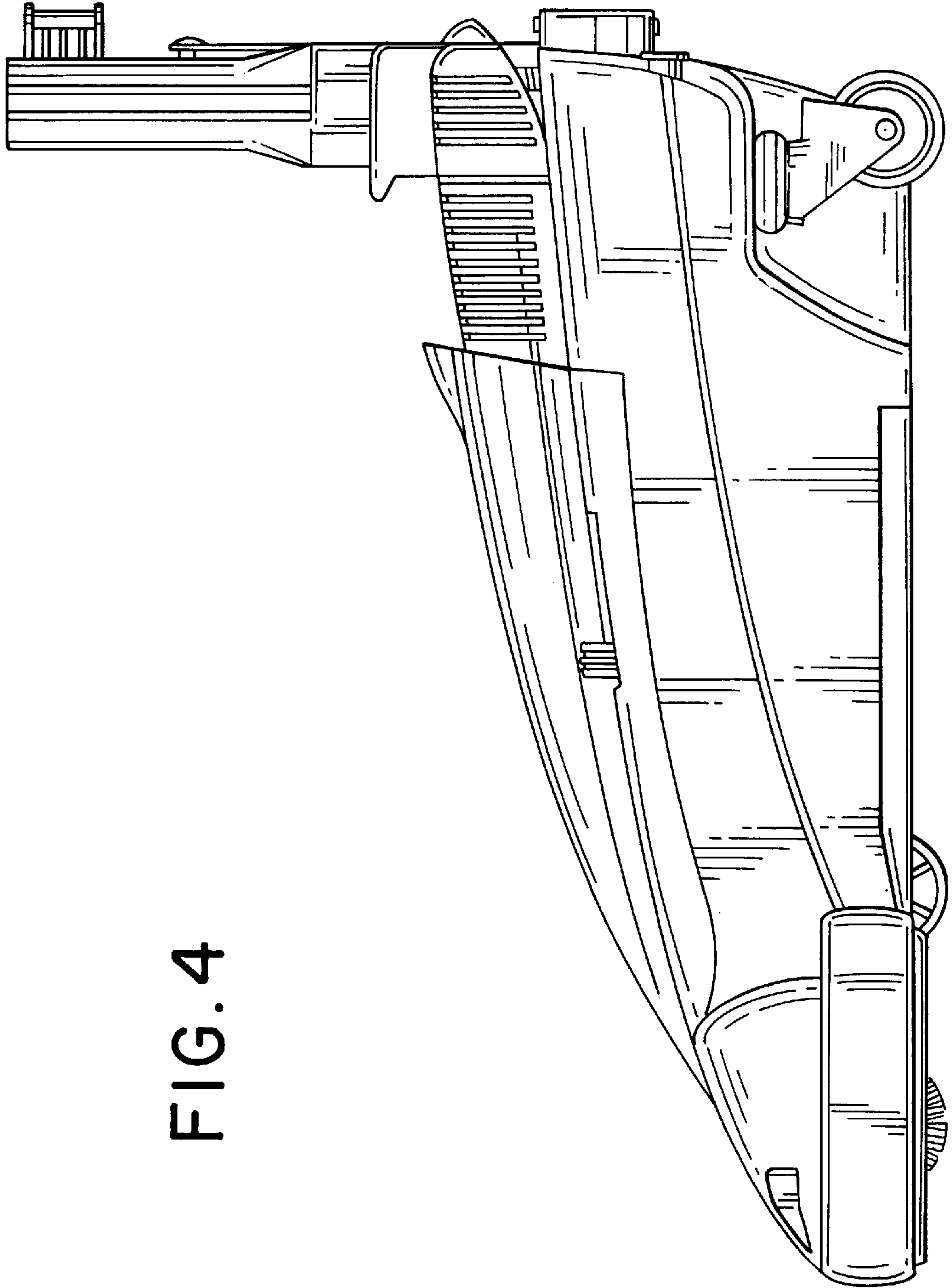
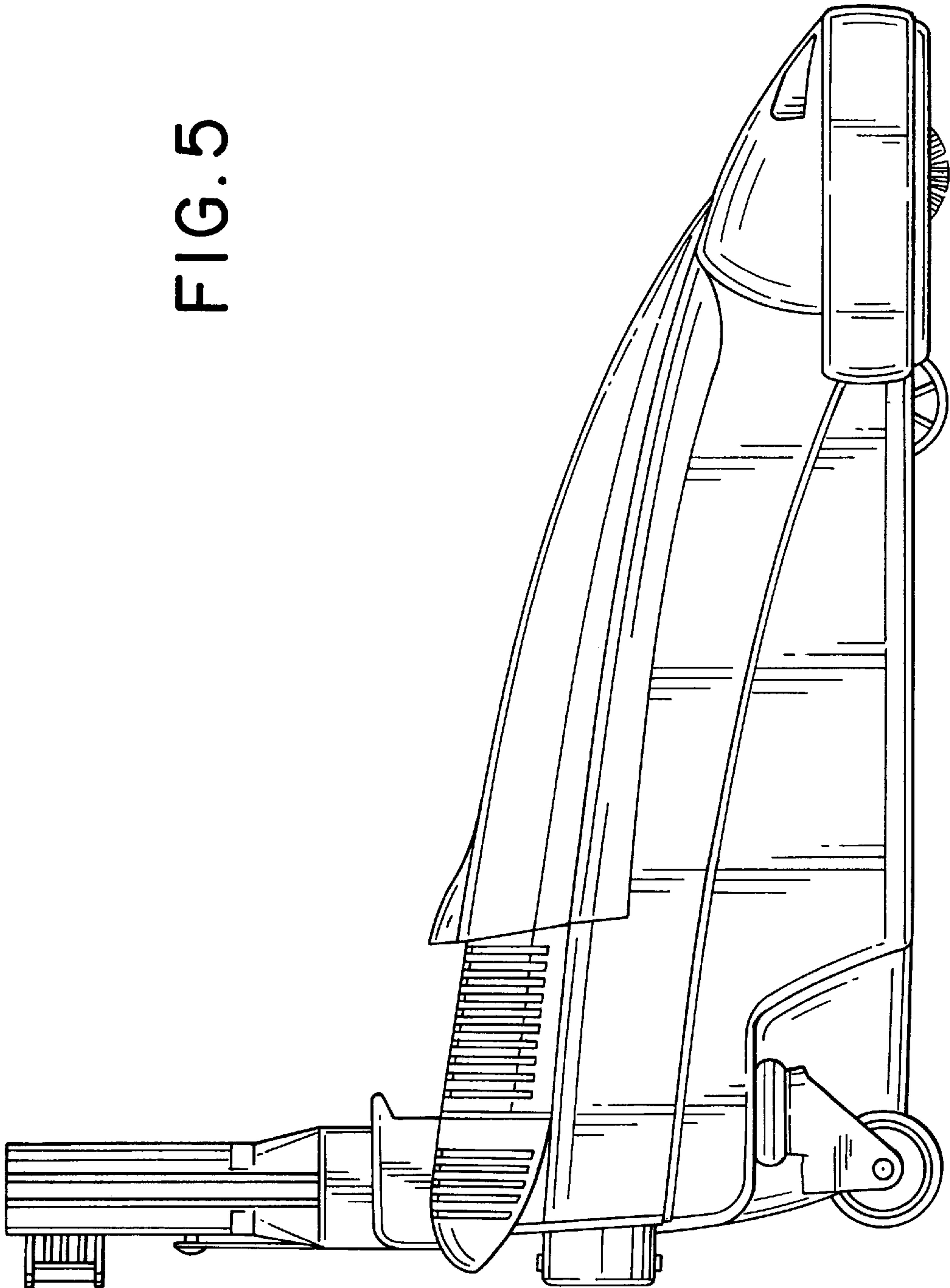


FIG. 4

FIG. 5



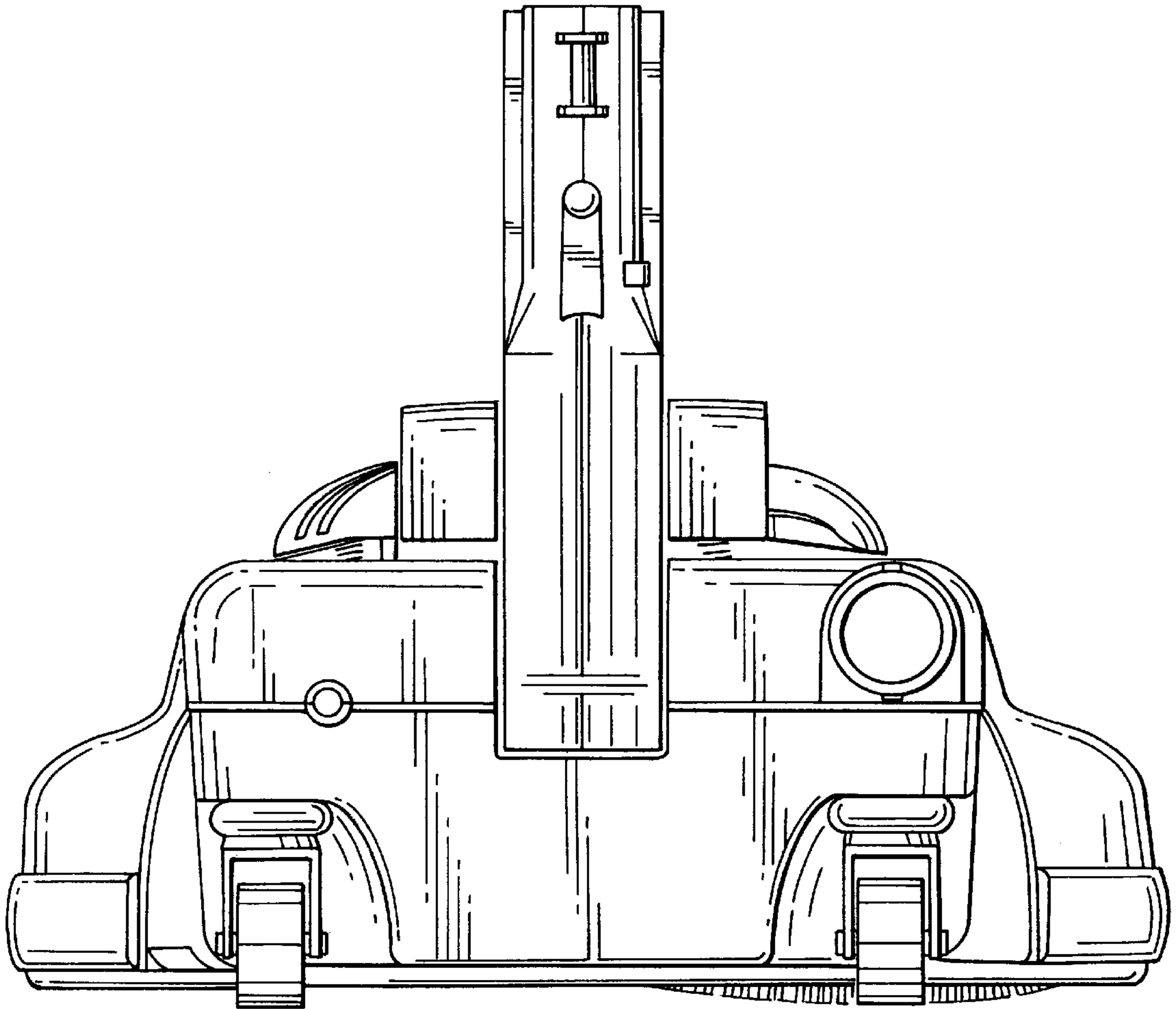


FIG. 6

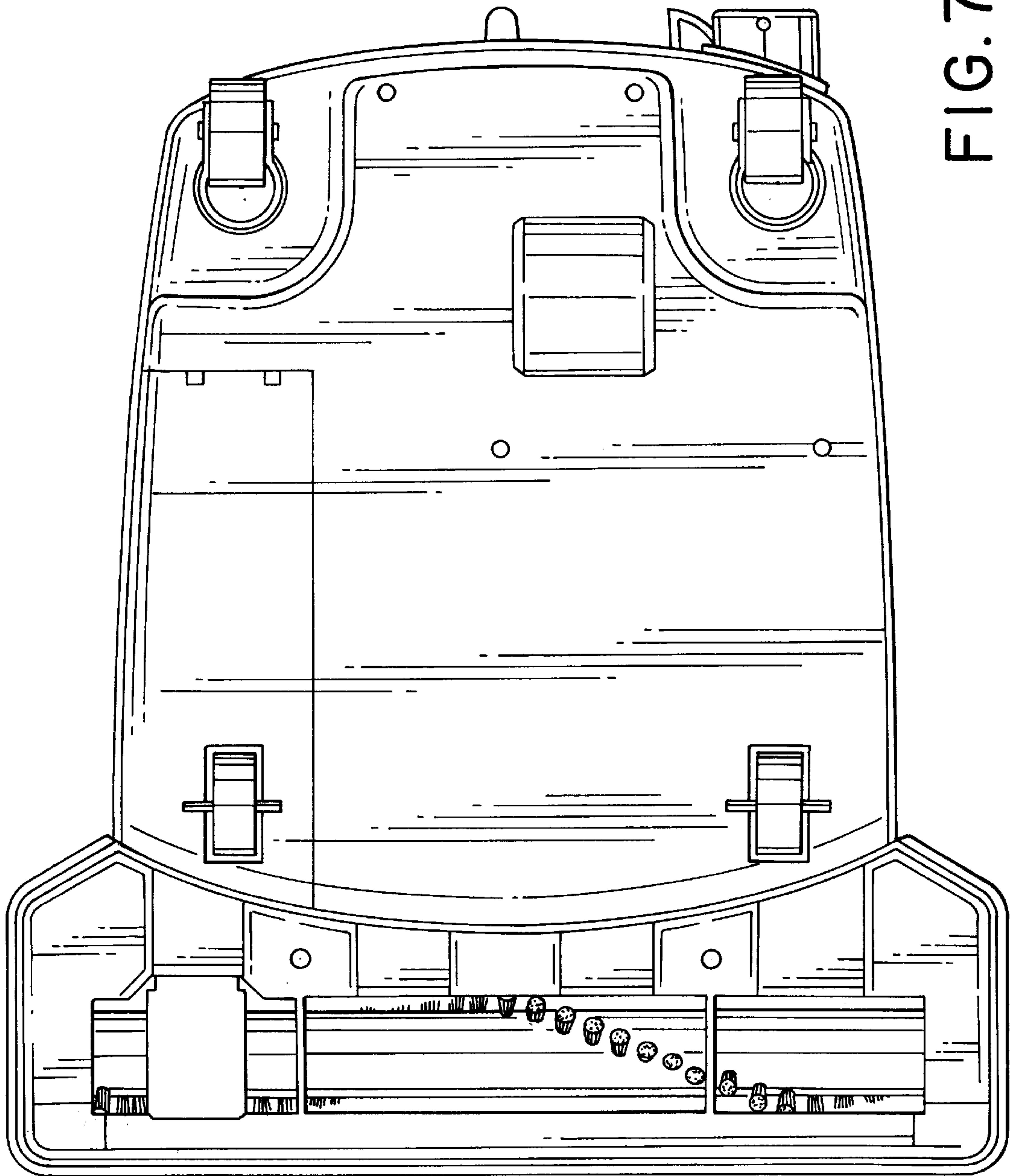


FIG. 7