



US00D427735S

United States Patent [19] Hitchins

[11] **Patent Number: Des. 427,735**
[45] **Date of Patent: ** Jul. 4, 2000**

[54] **SCOOP FOR CAT LITTER BOX**
[76] Inventor: **Millicent Hitchins**, 13522 SW. 65 La.,
Miami, Fla. 33183
[**] Term: **14 Years**
[21] Appl. No.: **29/106,650**
[22] Filed: **Jun. 18, 1999**
[51] **LOC (7) Cl. 30-99**
[52] **U.S. Cl. D30/162**
[58] **Field of Search D30/162; 294/1.3,**
294/1.4, 55, 99.2, 119; 248/101; 119/858;
D7/686-687; D8/10, 13

3,255,570 6/1966 Weimer 294/55
4,616,867 10/1986 O'Hara 294/55
4,640,540 2/1987 Chisholm 294/55
5,465,489 11/1995 Meek 294/55
5,711,564 1/1998 Campbell 294/1.3
5,738,399 4/1998 Mitchell 294/1.3

Primary Examiner—Cathy Anne MacCormac
Attorney, Agent, or Firm—J. Sanchelima

[57] CLAIM

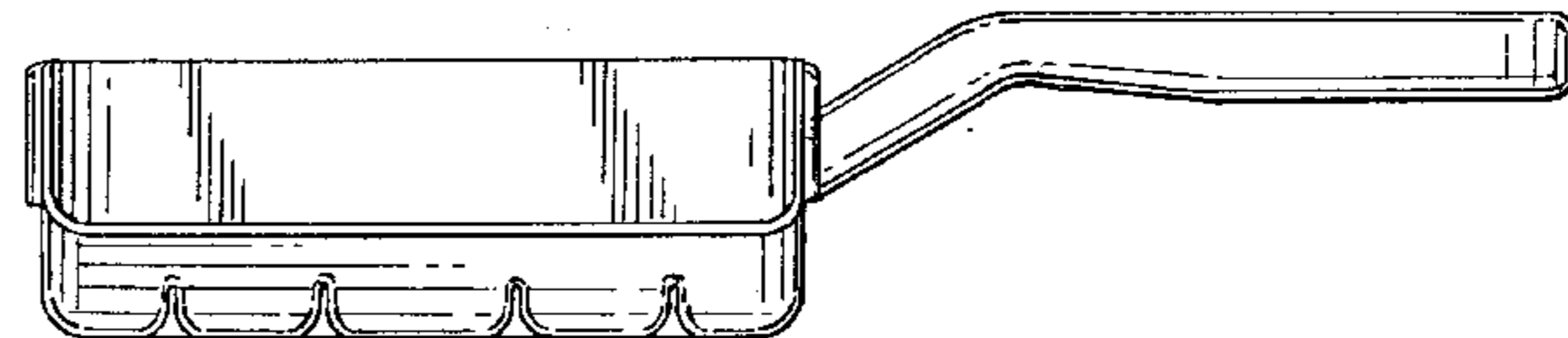
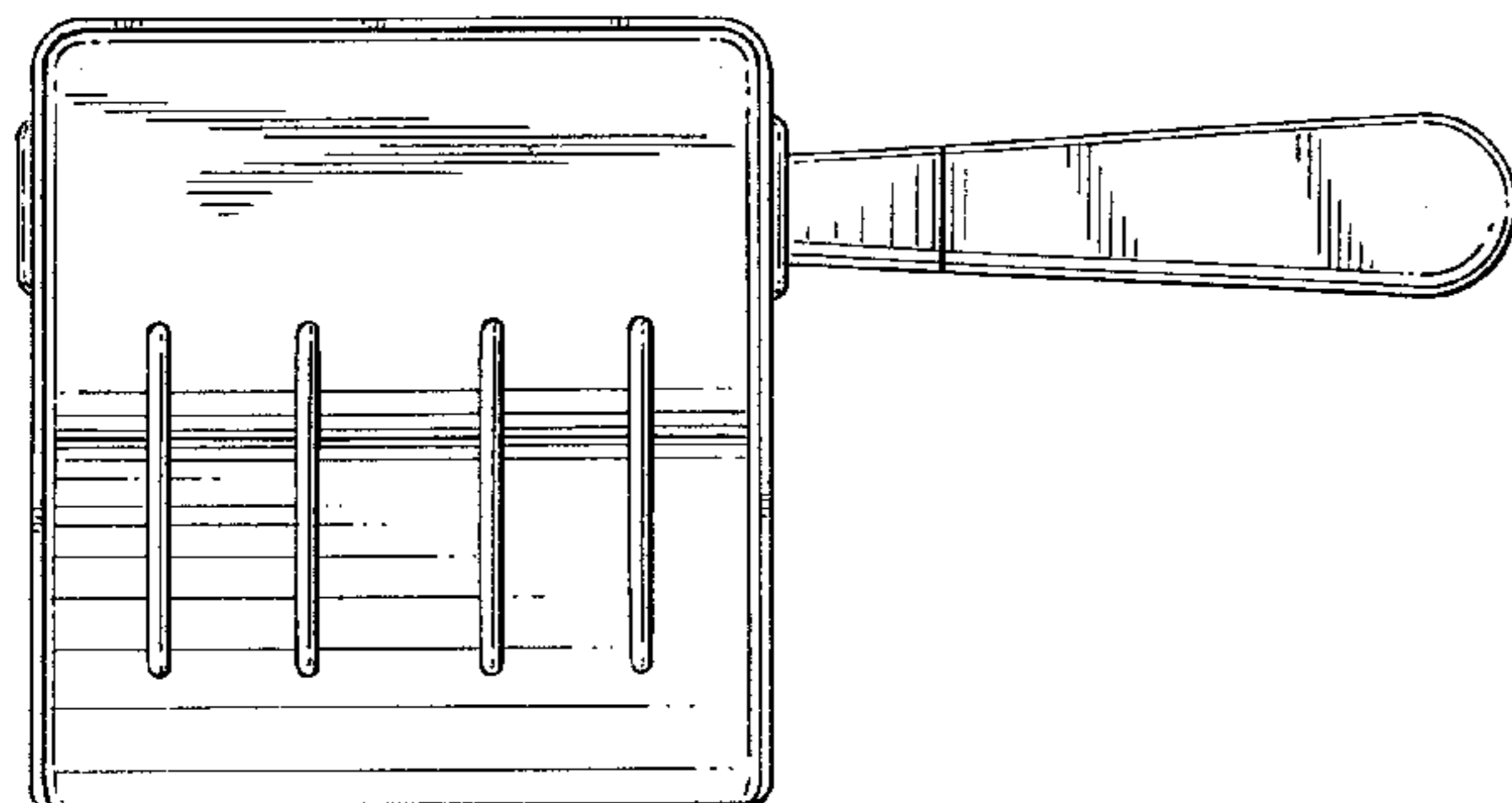
The ornamental design for a scoop for cat litter box, as shown and described.

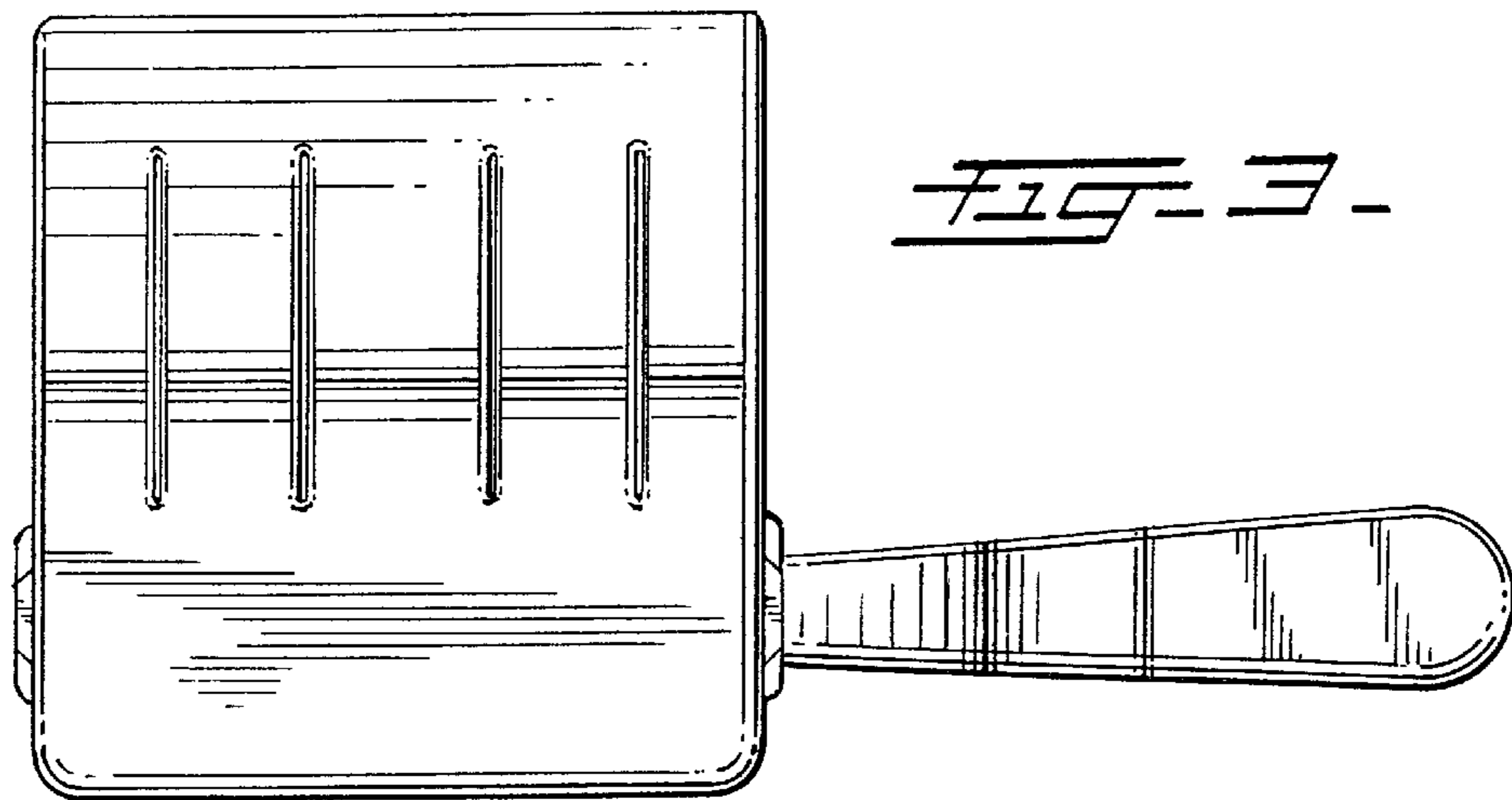
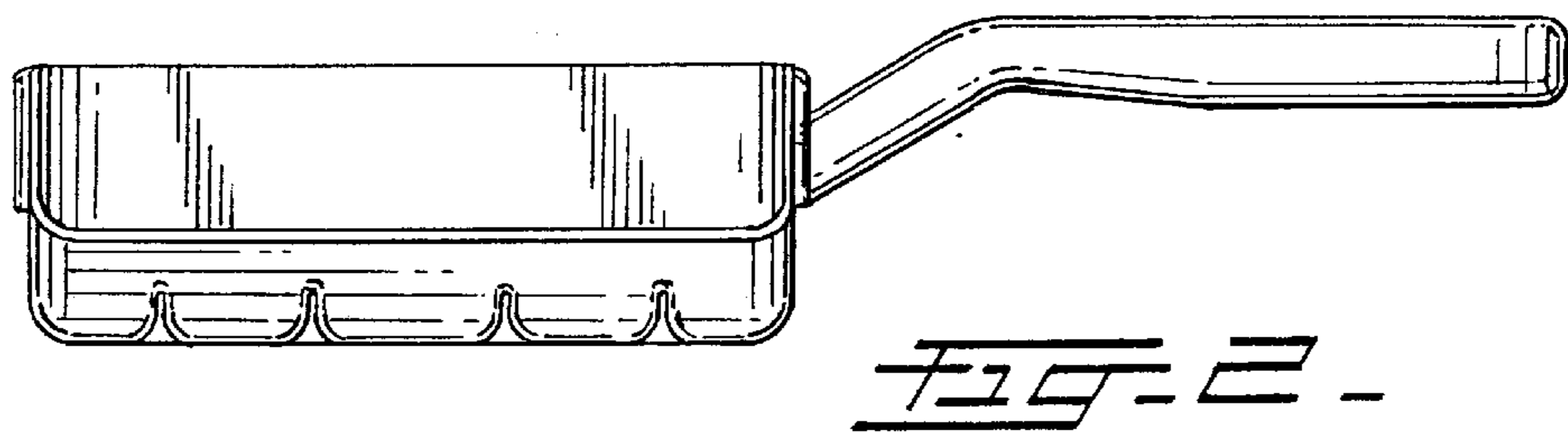
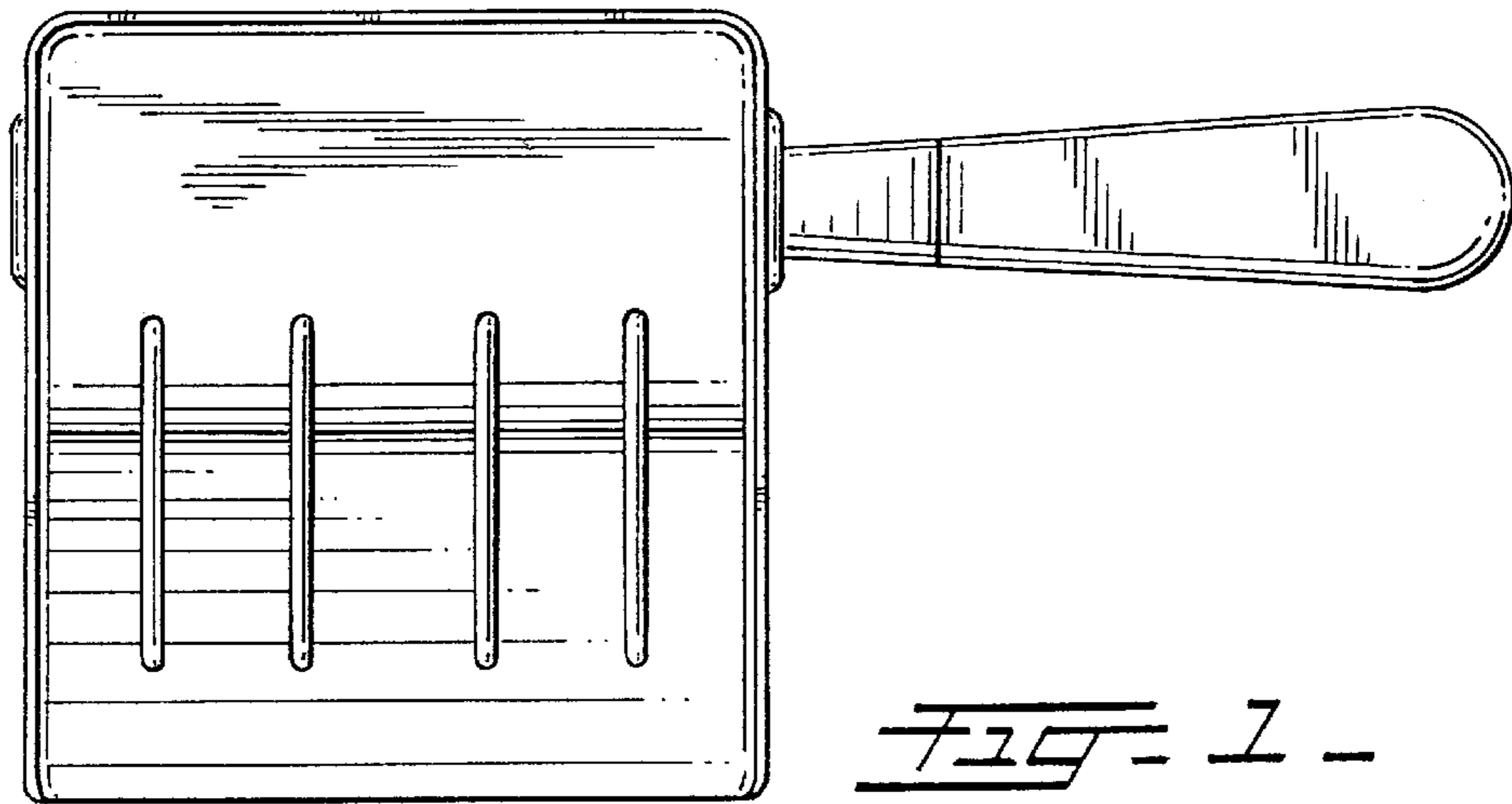
DESCRIPTION

FIG. 1 is a top plan view thereof;
FIG. 2 is a front elevational view of a scoop for cat litter box showing my new design;
FIG. 3 is a bottom plan view thereof;
FIG. 4 is a right side elevational view thereof;
FIG. 5 is a rear view thereof; and,
FIG. 6 is a left side elevational view thereof.

1 Claim, 2 Drawing Sheets

[56] **References Cited**
U.S. PATENT DOCUMENTS
D. 283,062 3/1986 Lordi D30/162
D. 318,151 7/1991 Moses D30/162
D. 329,187 9/1992 Sorensen D30/162
D. 377,246 1/1997 Clenney D30/162
2,545,226 3/1951 Claude D30/162





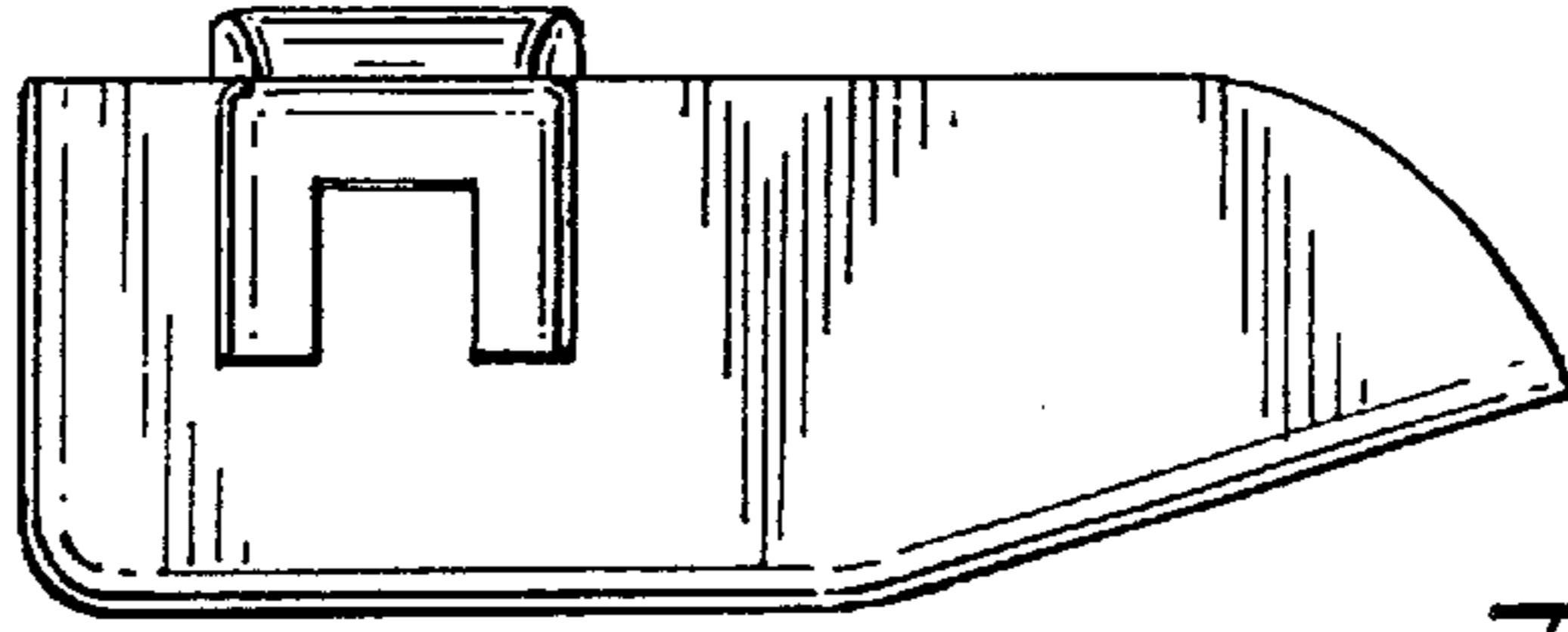


FIG. 4

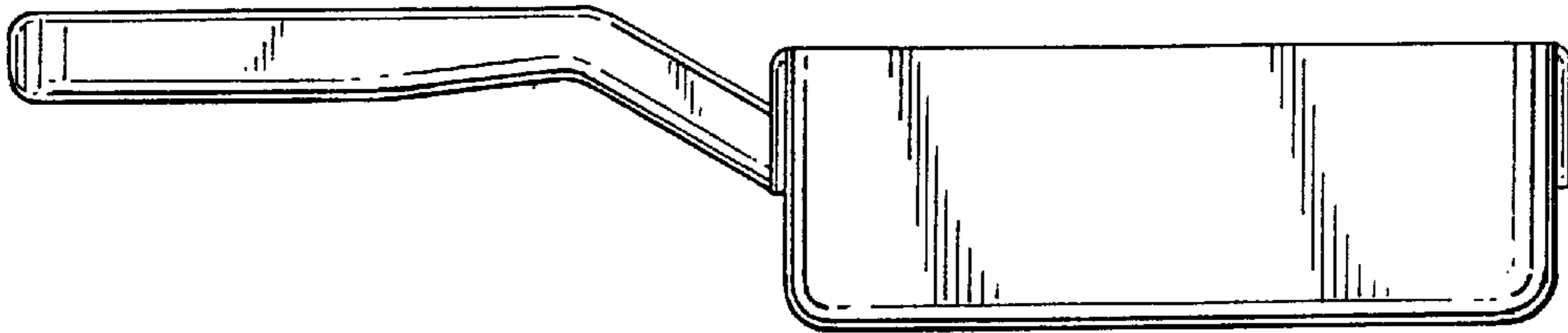


FIG. 5

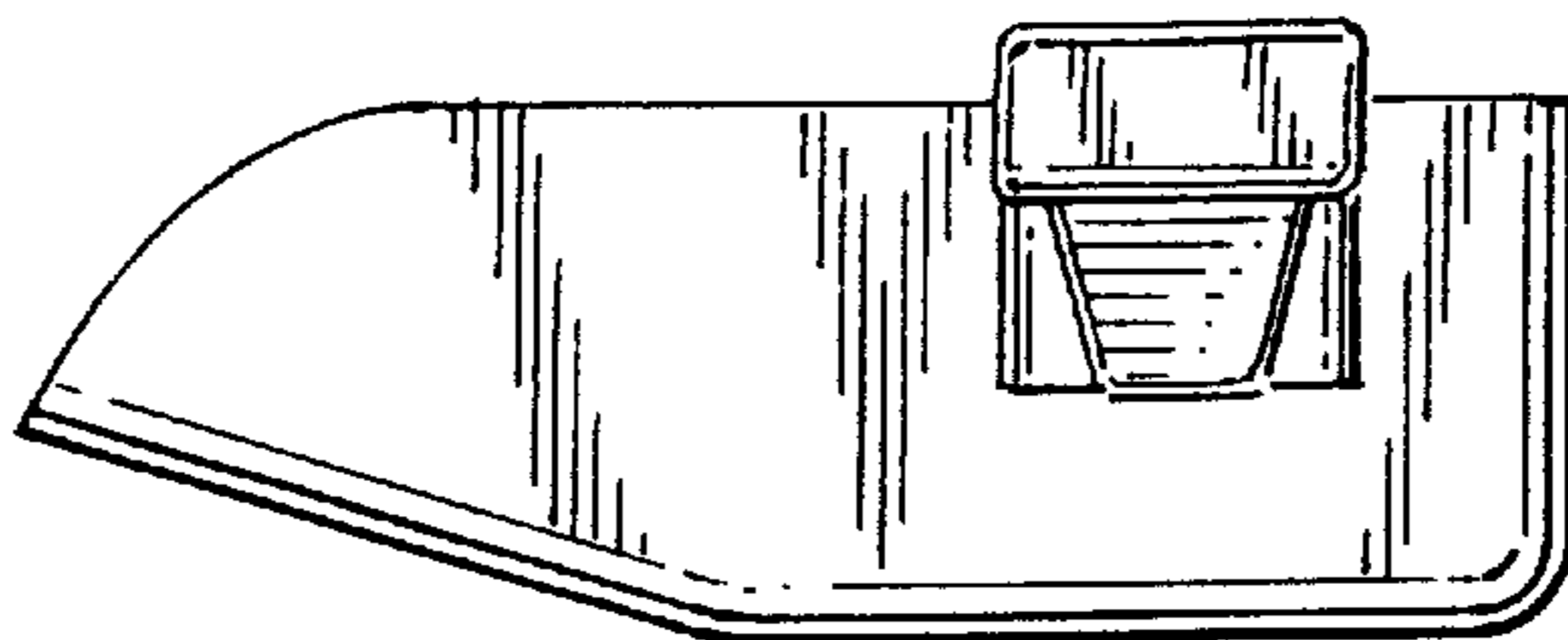


FIG. 6