



US00D427732S

United States Patent [19] Corletta

[11] **Patent Number: Des. 427,732**
[45] **Date of Patent: ** Jul. 4, 2000**

[54] **BIRD FEEDER**
[76] Inventor: **Philip T Corletta**, 44-Brookside Ave.,
Demarest, N.J. 07627
[**] Term: **14 Years**
[21] Appl. No.: **29/110,912**
[22] Filed: **Sep. 16, 1999**
[51] **LOC (7) Cl. 30-03**
[52] **U.S. Cl. D30/124; D30/123**
[58] **Field of Search D30/123-129,**
D30/110, 111; 119/428-429, 432, 51.01,
52.1, 52.2, 57.8-59.7, 69.5; 43/131

2,718,874 9/1955 Dunn D30/124
2,813,509 11/1957 Bruno 119/51.01
2,891,508 6/1959 Bower 119/57.9
3,186,379 6/1965 Grella 119/51.01
3,664,304 5/1972 Carter D30/128
4,819,584 4/1989 Rozumek .
4,829,934 5/1989 Blasbalg .
5,052,342 10/1991 Schneider .
5,134,968 8/1992 Yancy .
5,215,040 6/1993 Lemley 119/57.9
5,355,835 10/1994 Freed 119/57.9
5,438,957 8/1995 Shagoury 119/69.5
5,479,880 1/1996 Stuhr et al. .
5,632,230 5/1997 Dornetta 119/57.8
5,647,298 7/1997 Yancy 119/57.8
5,966,868 10/1999 Cox 119/69.5

[56] **References Cited**
U.S. PATENT DOCUMENTS
D. 88,718 8/1932 Barron D30/129
D. 119,499 3/1940 Howard .
D. 170,150 8/1953 Cowap 119/52.2
D. 173,658 12/1954 Jones 119/52.2
D. 184,737 3/1959 Jones D30/128
D. 199,530 11/1964 Crulkshank D30/125
D. 200,317 2/1965 Etnyre D30/128
D. 201,245 6/1965 Crolkshank D30/125
D. 204,388 4/1966 Mitchell D30/123
D. 214,735 7/1969 Cooper D30/128
D. 247,187 2/1978 Hartinger D30/123
D. 277,703 2/1985 Kilham D30/128
D. 282,018 12/1985 Kilham D30/128
D. 289,211 4/1987 Riha D30/125
D. 351,507 10/1994 Gregory D30/123
D. 402,429 12/1998 Schecter D30/123
D. 402,430 12/1998 Dudley D30/128
491,702 2/1893 Felix D30/129
2,316,463 4/1943 Skulina D30/124

FOREIGN PATENT DOCUMENTS

225102 4/1958 Australia 43/131

Primary Examiner—Cathy Anne MacCormac

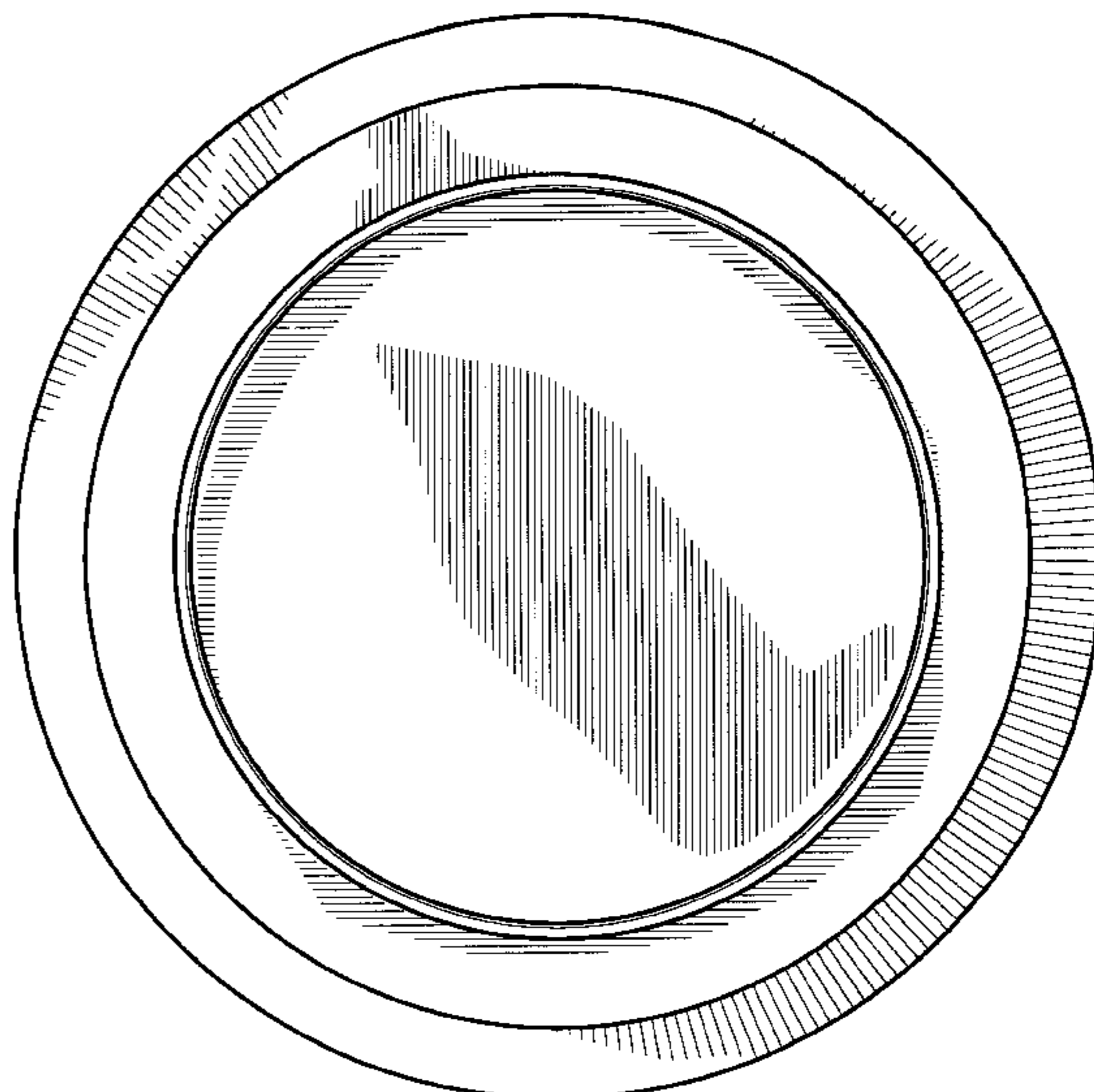
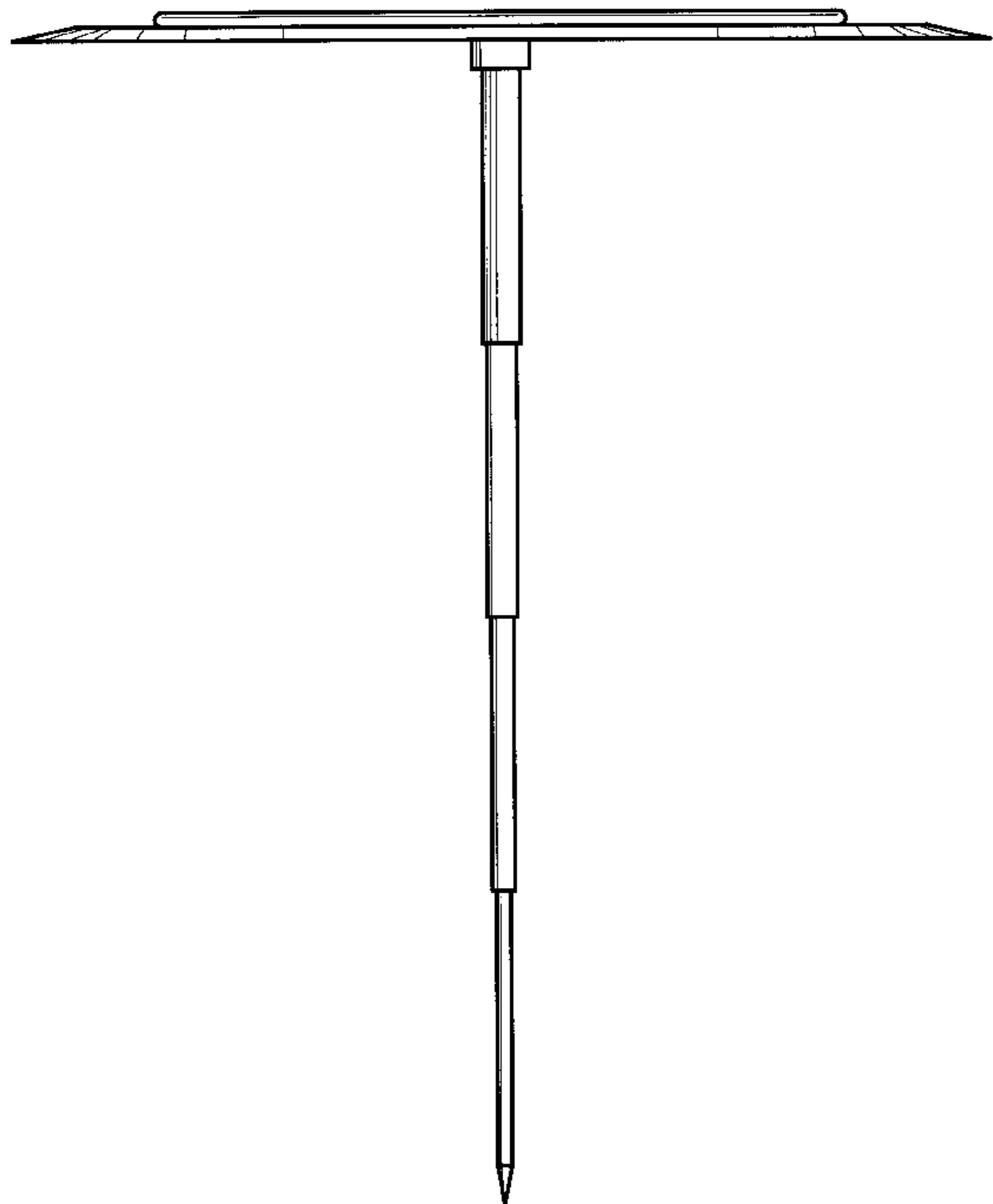
[57] CLAIM

The ornamental design for a bird feeder, as shown and described.

DESCRIPTION

FIG. 1 is a front elevational view of the bird feeder of the present invention, the rear elevational view being a mirror image thereof;
FIG. 2 is a left side elevational view of the bird feeder of FIG. 1, the right side elevational view being a mirror image thereof;
FIG. 3 is a top plan view of the bird feeder of FIG. 1; and,
FIG. 4 is a bottom plan view of the bird feeder of FIG. 1.

1 Claim, 2 Drawing Sheets



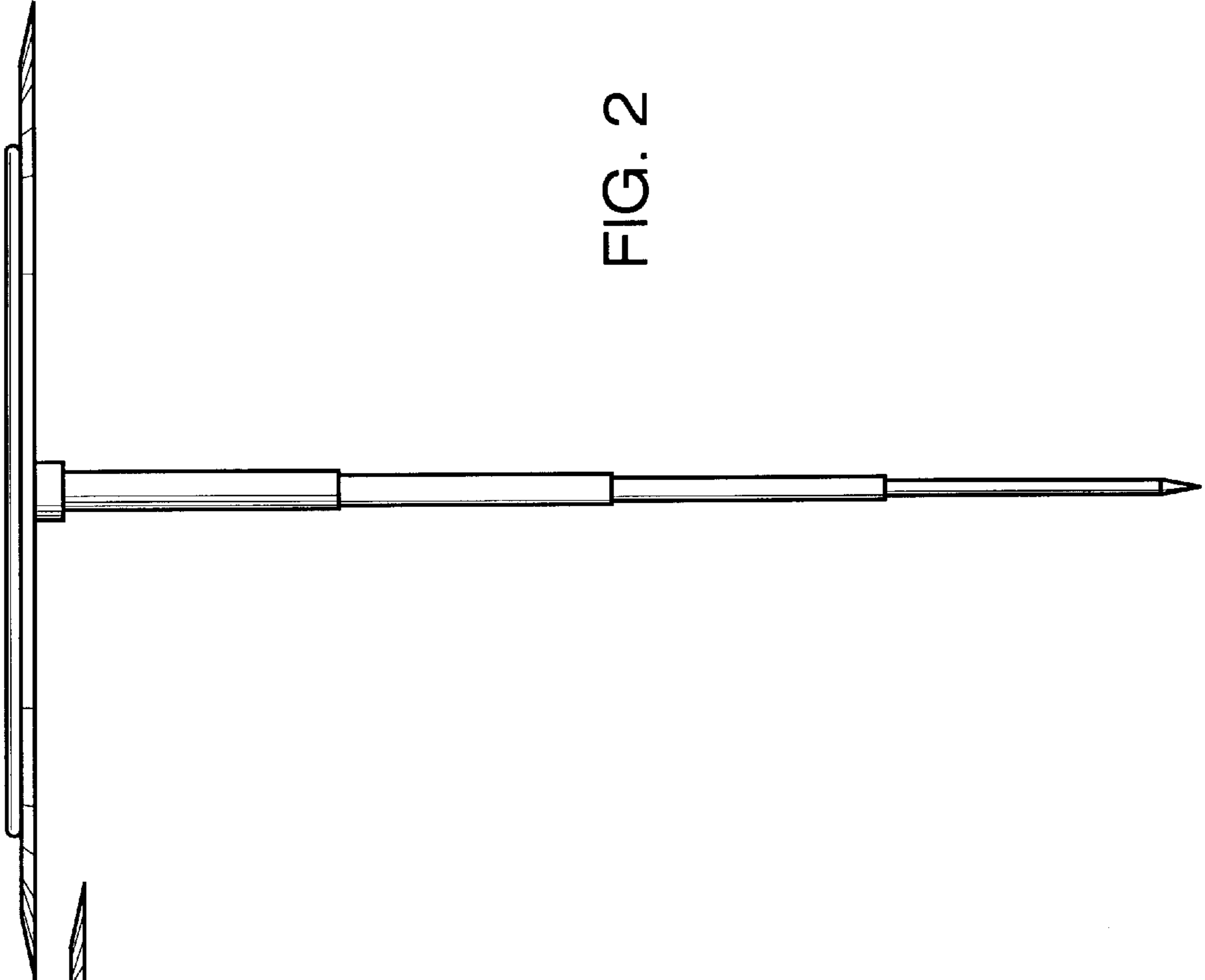


FIG. 2

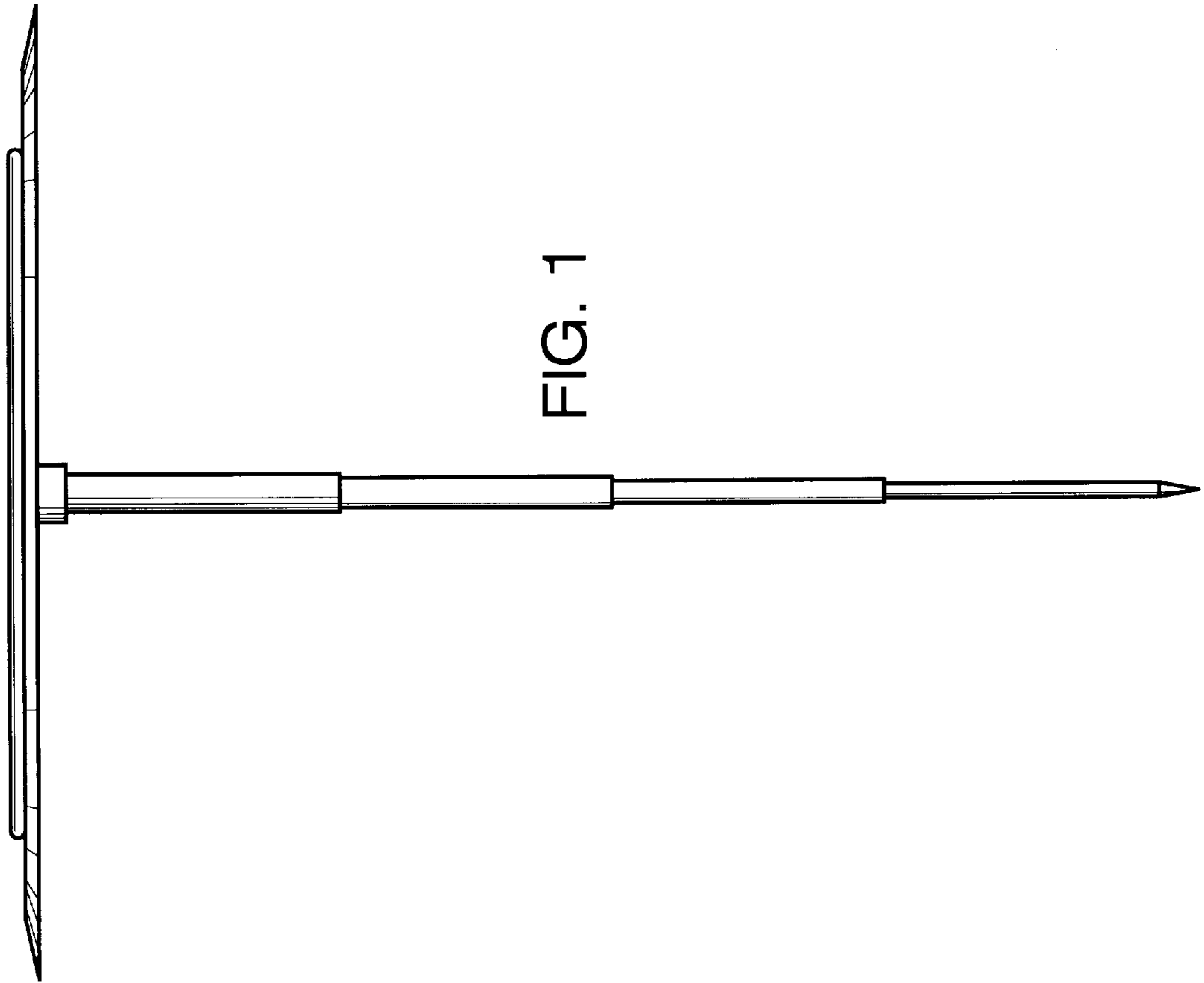


FIG. 1

FIG. 3

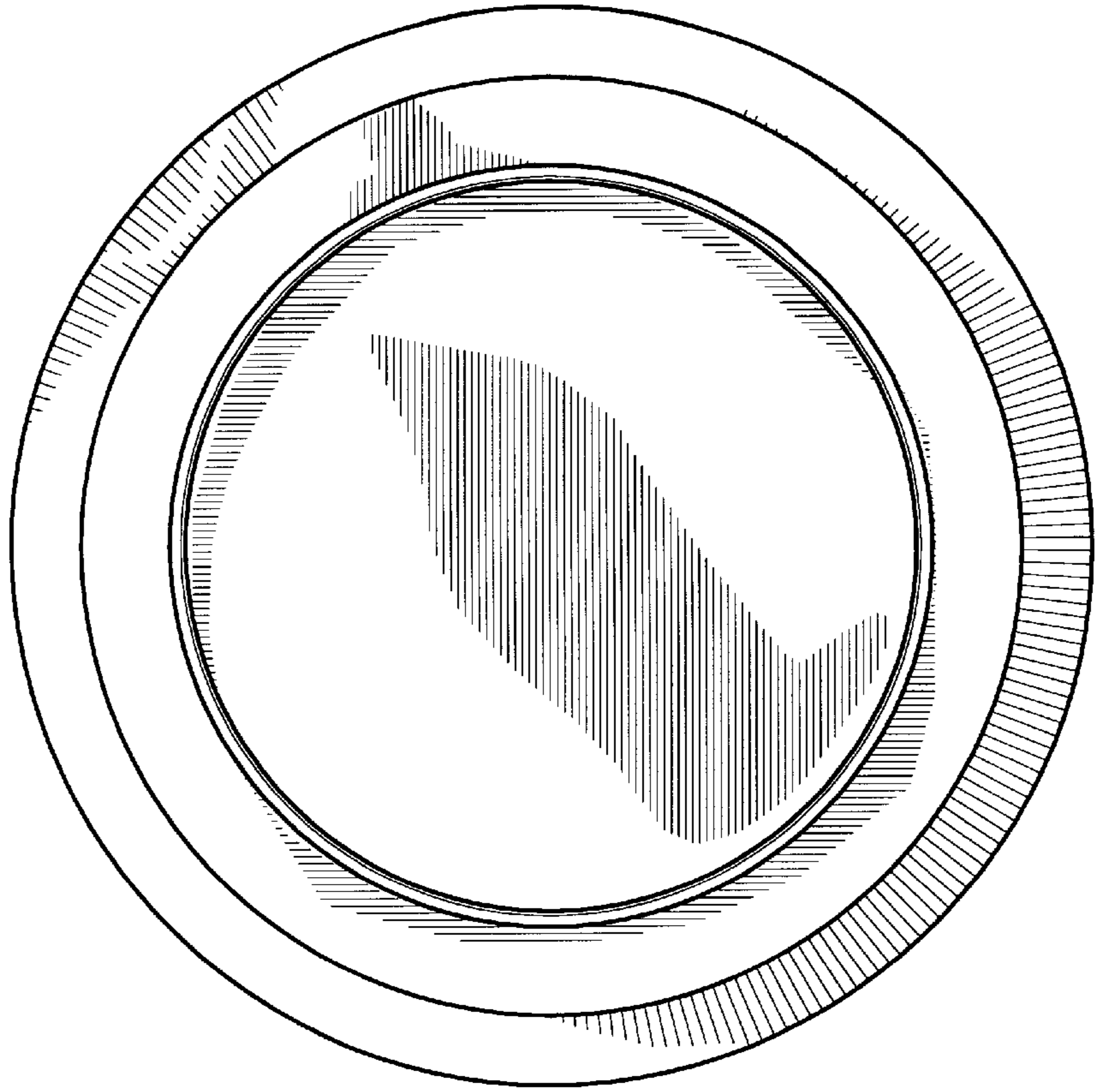


FIG. 4

