



US00D427712S

United States Patent [19]

[11] **Patent Number: Des. 427,712**

Dolan

[45] **Date of Patent: ** Jul. 4, 2000**

[54] **LAMP GLASS SHADE**

[76] Inventor: **Patrick S. Dolan**, 1901 NW. Upshur, Portland, Oreg. 97209

[**] Term: **14 Years**

[21] Appl. No.: **29/107,012**

[22] Filed: **Jun. 24, 1999**

[51] **LOC (7) Cl. 26-05**

[52] **U.S. Cl. D26/135**

[58] **Field of Search** D26/80, 81, 82, D26/83, 84, 85, 86, 87, 88, 89, 90, 91, 128-136; 362/404-408, 326, 327, 329, 330, 334, 338, 339, 340, 350, 351, 352

[56] **References Cited**

PUBLICATIONS

Progress Lighting catalog, 1992, p. 19, wall lamp, #P7194-51.

Kenroy Int'l/Hunter LTG Group 11660 Central Pkway Jacksonville, FL 32224 CAT 1998 p. 4 Model 11702.

Kenroy Int'l/Hunter LTG Group 11660 Central Pkway Jacksonville, FL 32224 CAT 1998 p. 5, Model 11705.

Arroyo Craftsman 4509 Little John St Baldwin Park CA 91706 Model PS-12GW-BZ CAT 1997 p. 27.

Quoizel 6 Corporate Parkway Goose Creek, SC 294445 Catalog Jun. 1995-Supplement Model TF168 R7 p. 14.

Lamps Plus 8748 Hall Blvd Beaverton OR 97005 As Seen In AD For Oregon Dated Thru Mar. 21, 1999.

Primary Examiner—Susan J. Lucas

[57] **CLAIM**

The ornamental design for a lamp glass shade, as shown and described.

DESCRIPTION

FIG. 1 is a perspective view thereof;

FIG. 2 is a front elevational view thereof;

FIG. 3 is a right end view in elevation thereof the left side being a mirror image;

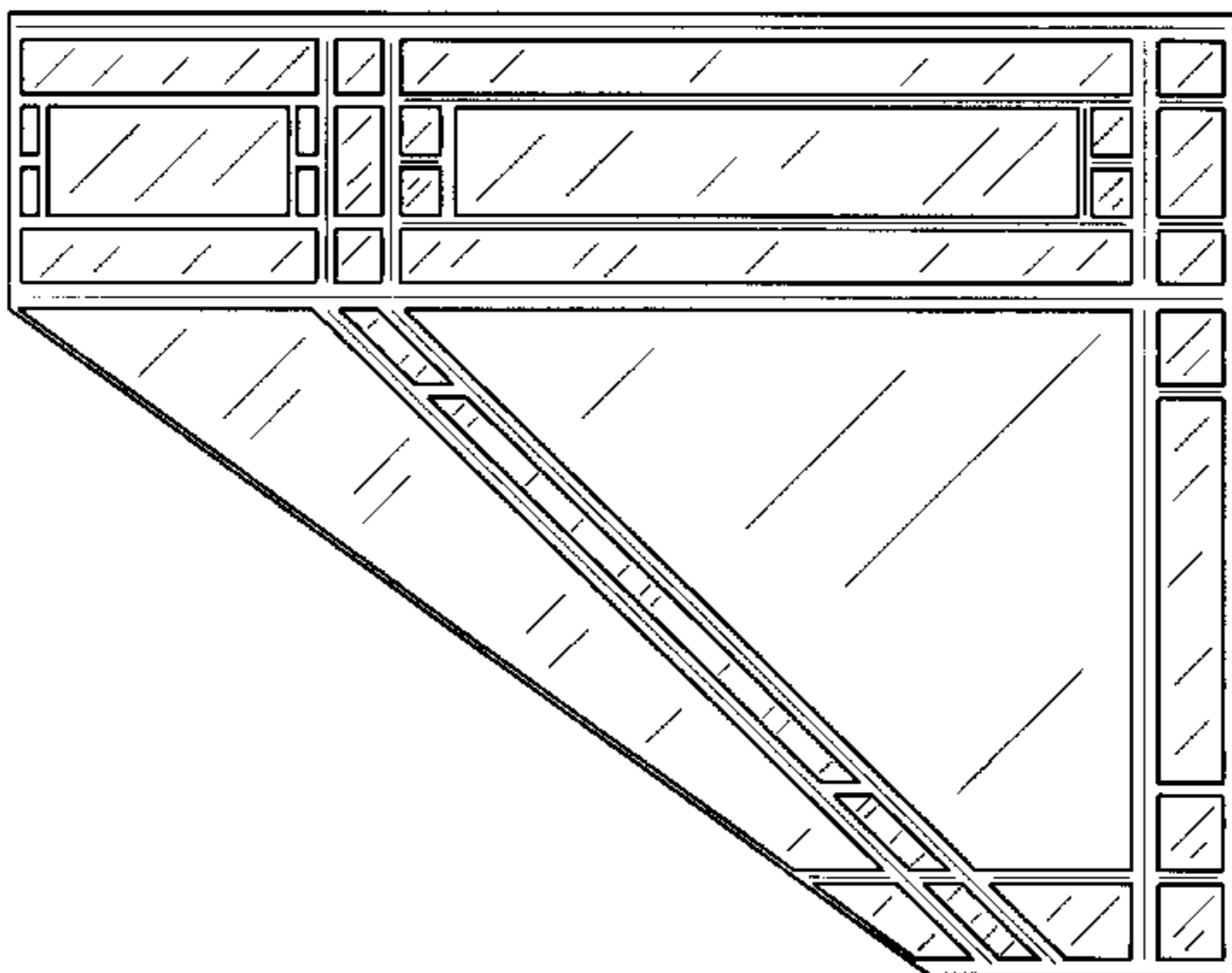
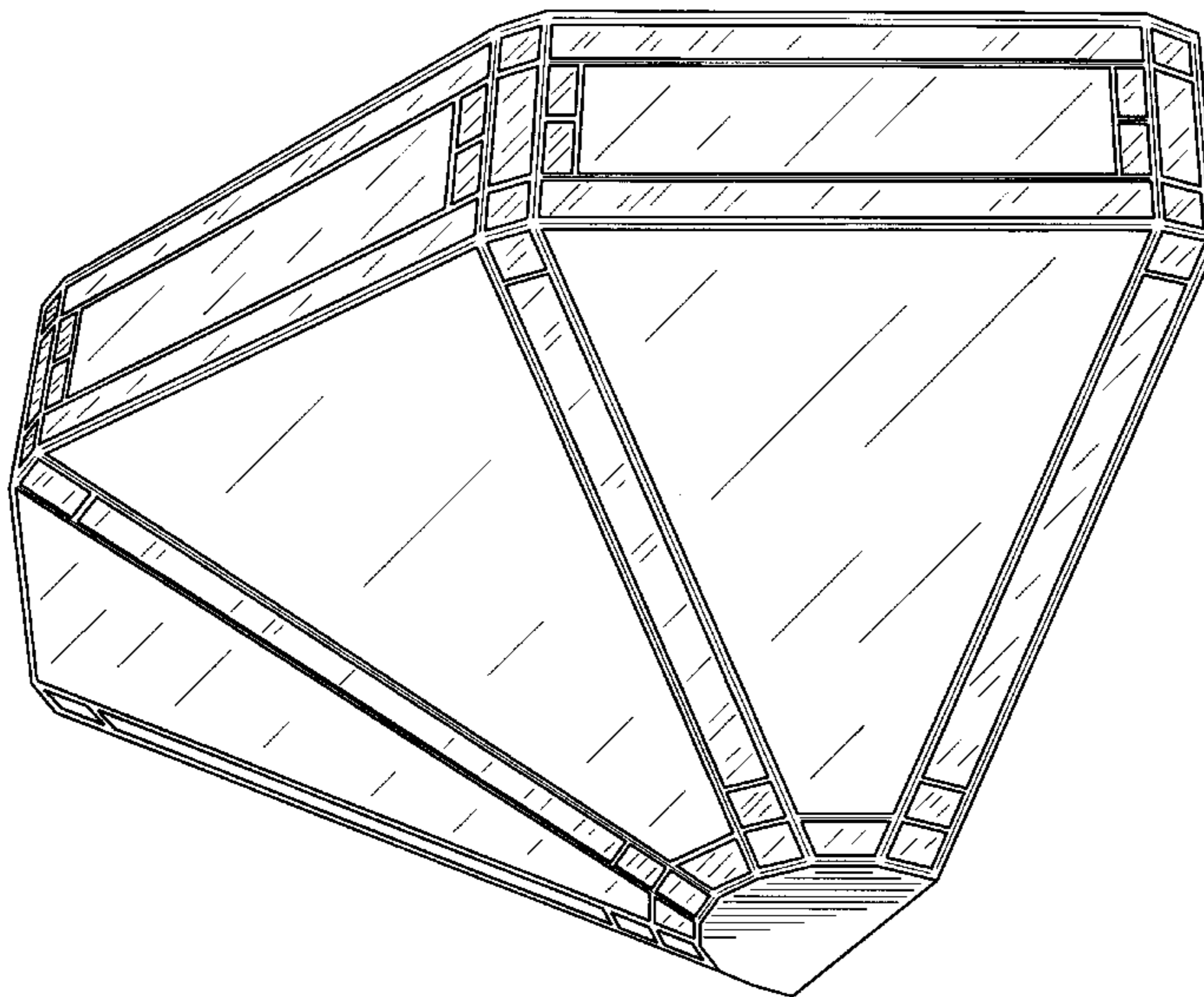
FIG. 4 is a back elevational view;

FIG. 5 is a top plan view thereof;

FIG. 6 is a bottom plan view thereof.

The broken lines are for shown for illustrative purposes only and form no part of claimed design.

1 Claim, 6 Drawing Sheets



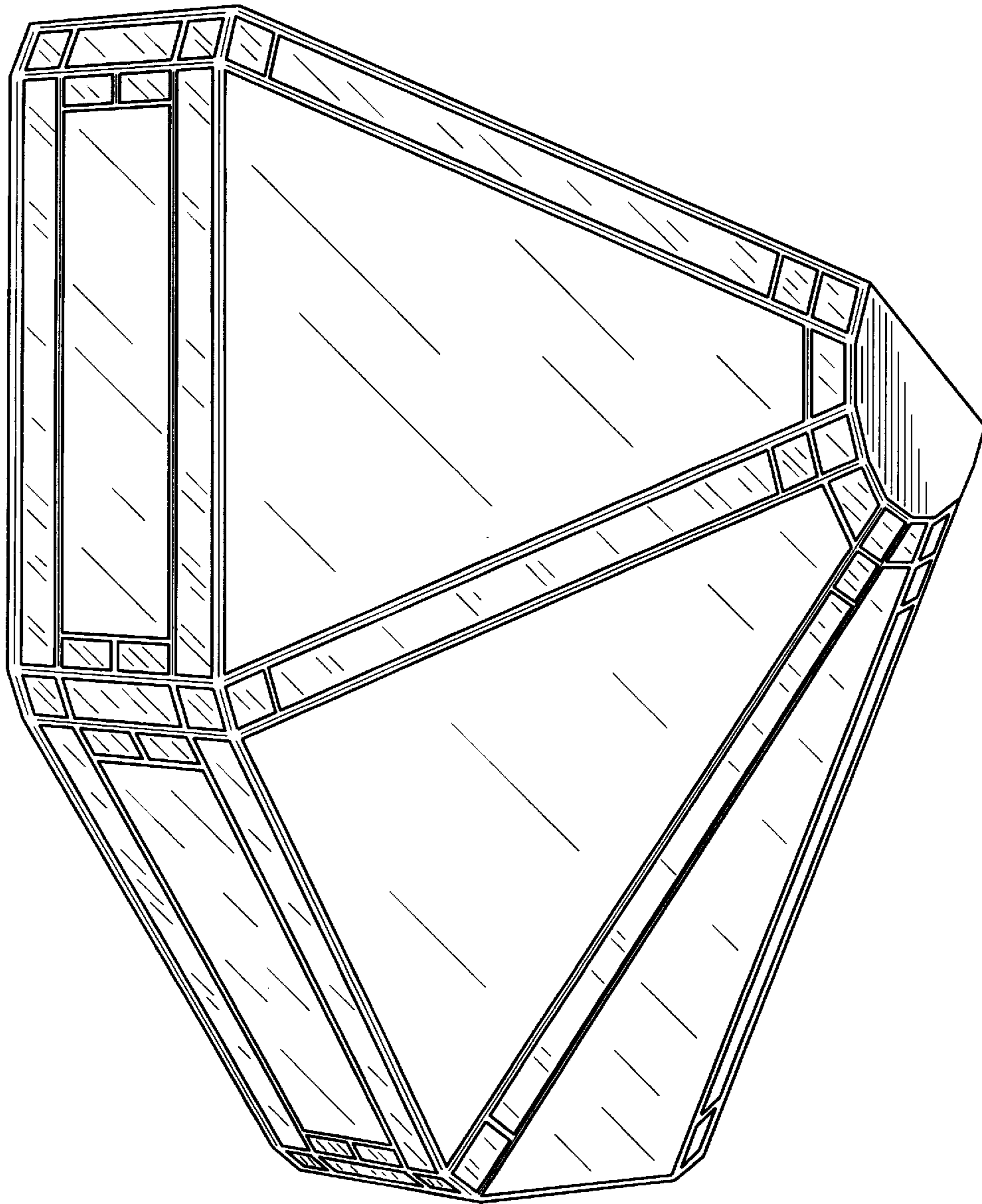


FIG. 1

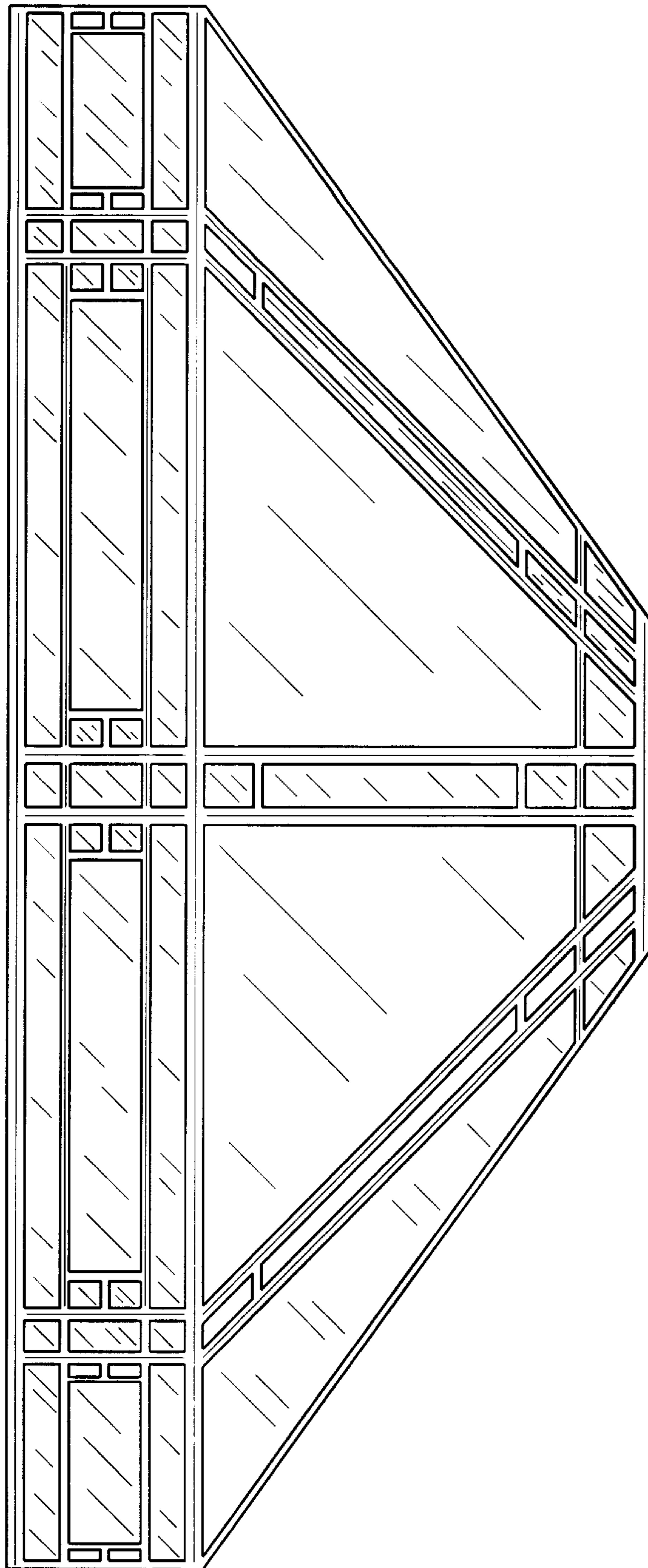


FIG. 2

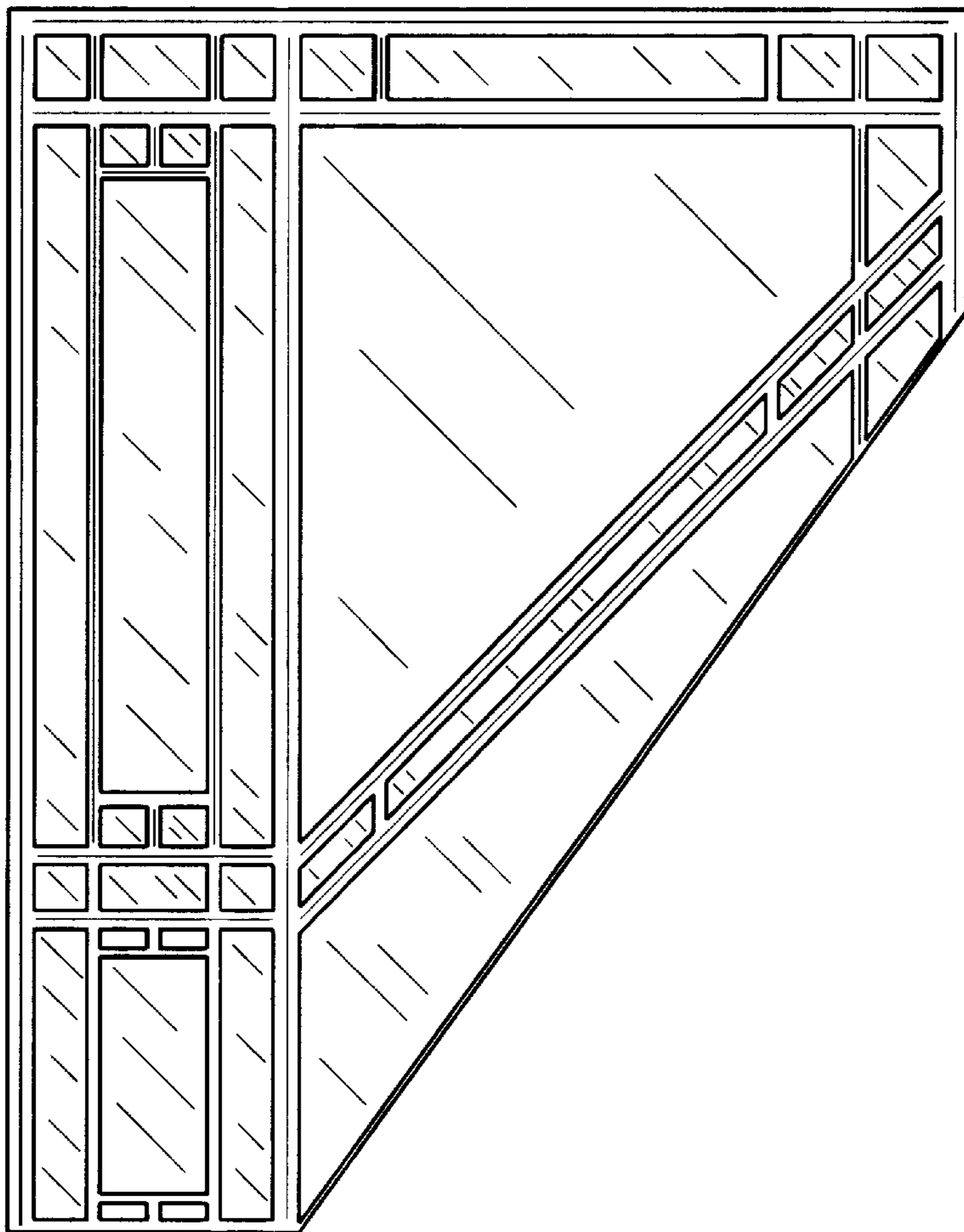


FIG. 3

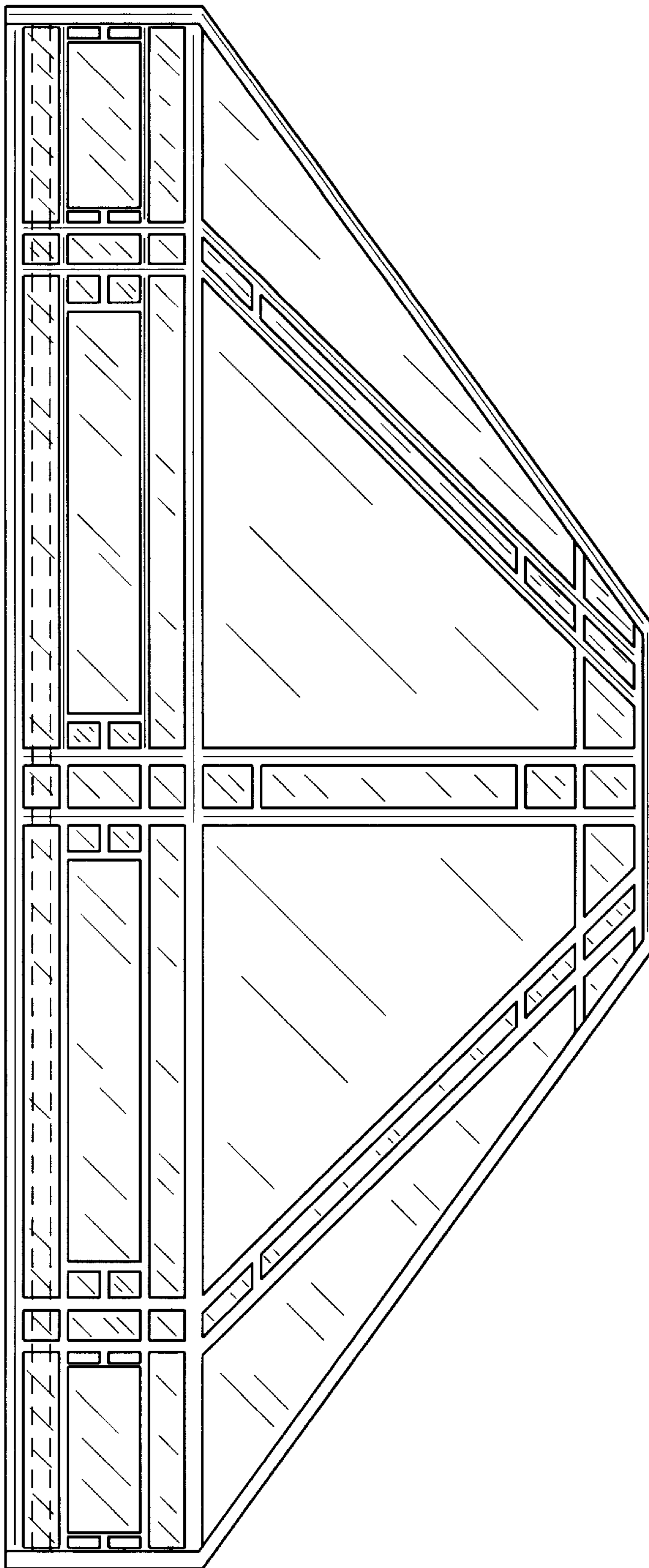


FIG. 4

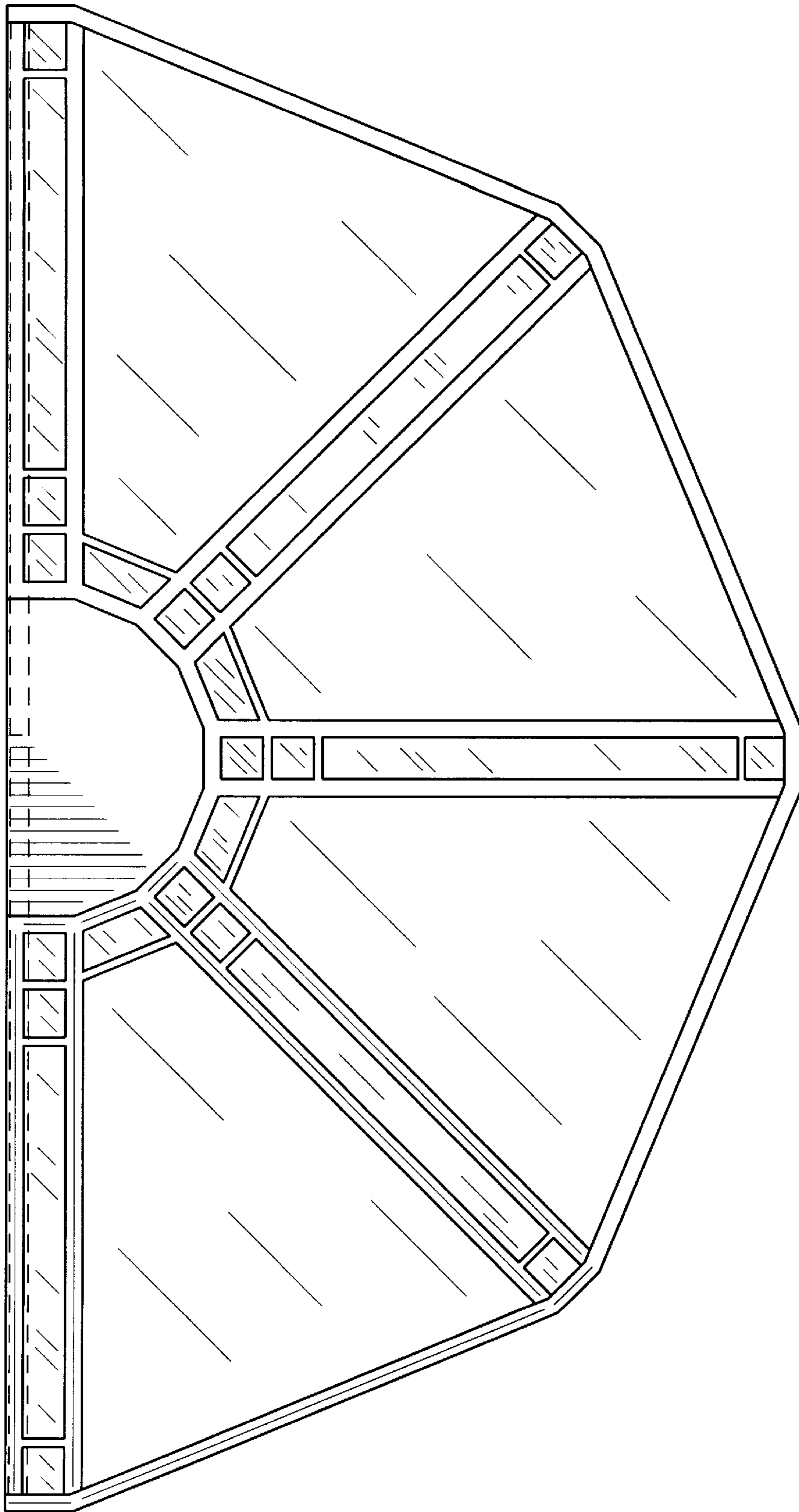


FIG. 5

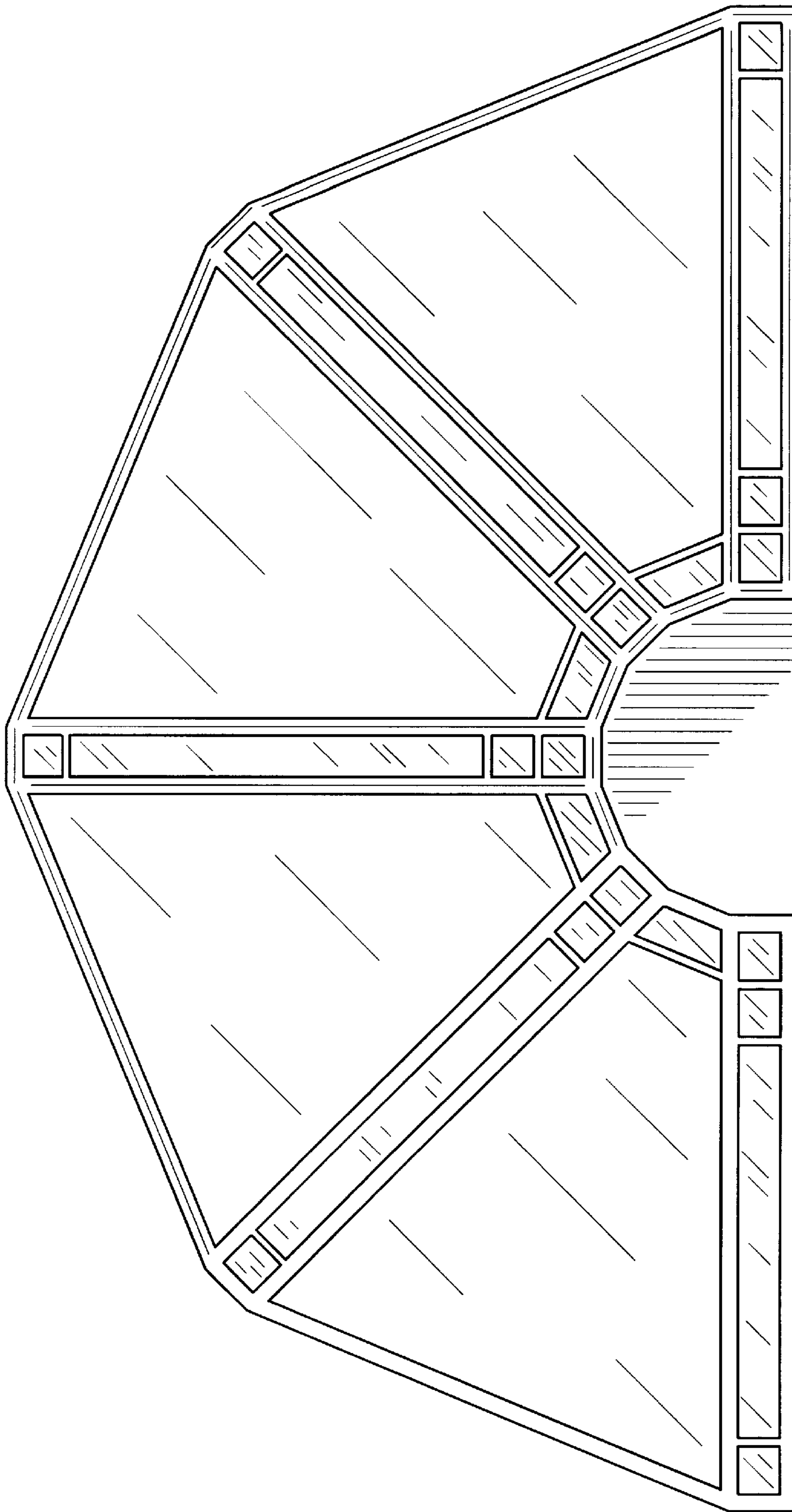


FIG. 6