



US00D427710S

**United States Patent** [19]  
**Swanson**

[11] **Patent Number: Des. 427,710**  
[45] **Date of Patent: \*\* Jul. 4, 2000**

[54] **TORCHIERE FLOOR LAMP WITH WROUGHT IRON**

[75] Inventor: **Dennis K. Swanson**, Woodland Hills, Calif.

[73] Assignee: **Lamps Plus, Inc.**, Chatsworth, Calif.

[\*\*] Term: **14 Years**

[21] Appl. No.: **29/111,442**

[22] Filed: **Sep. 28, 1999**

[51] **LOC (7) Cl.** ..... **26-03**

[52] **U.S. Cl.** ..... **D26/110**

[58] **Field of Search** ..... **D26/93-112; 362/410-414**

[56] **References Cited**

**U.S. PATENT DOCUMENTS**

5,997,160 12/1999 Swanson ..... 362/410

**OTHER PUBLICATIONS**

Taiwan Lighting, p. 95, Middle of Page, Lamp A, Feb. 1997.

*Primary Examiner*—Lisa Lichtenstein  
*Attorney, Agent, or Firm*—Fulbright & Jaworski L.L.P.

[57] **CLAIM**

The ornamental design for a torchiere floor lamp with wrought iron, substantially as shown and described.

**DESCRIPTION**

FIG. 1 is a perspective view of a torchiere floor lamp with wrought iron of the present invention;  
FIG. 2 is a front elevational view thereof;  
FIG. 3 is a rear elevational view thereof;  
FIG. 4 is a right side view thereof;  
FIG. 5 is a left side view thereof; and,  
FIG. 6 is a top view thereof.

The surface(s) or portion(s) of the article not shown in the drawing or described in the specification form(s) no part of the claimed design.

**1 Claim, 3 Drawing Sheets**

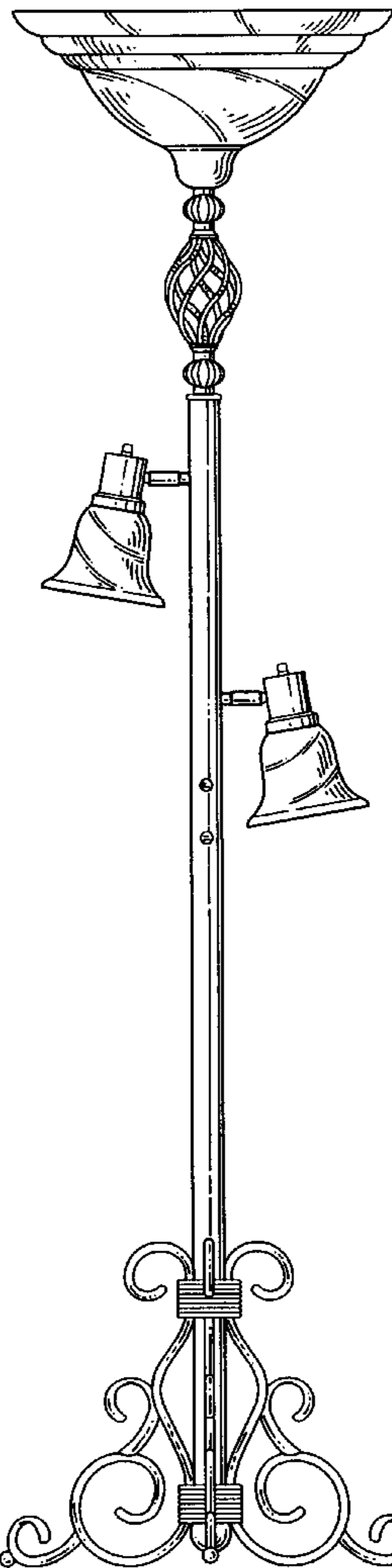
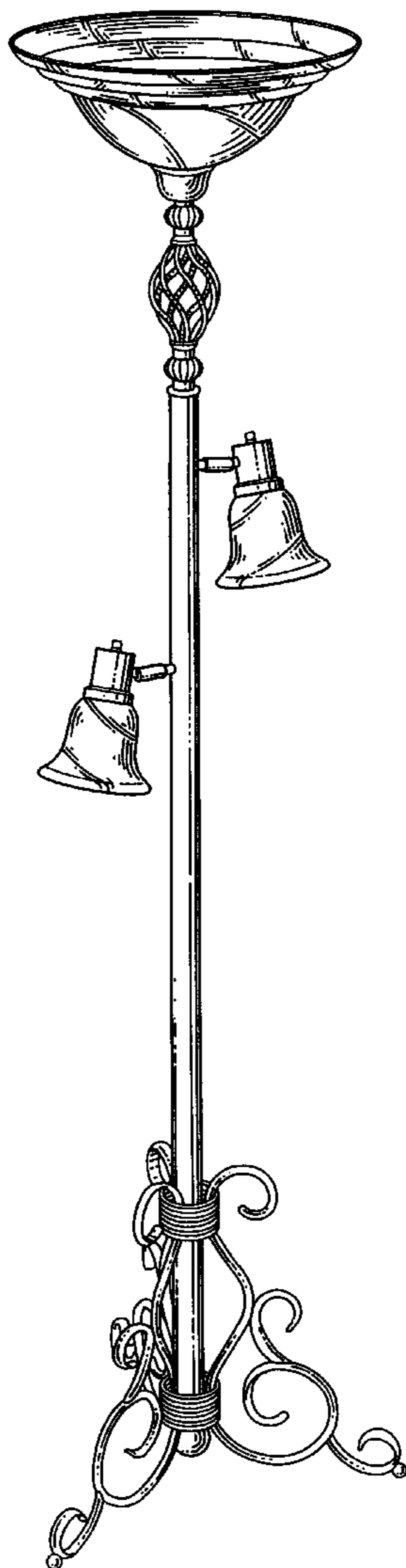
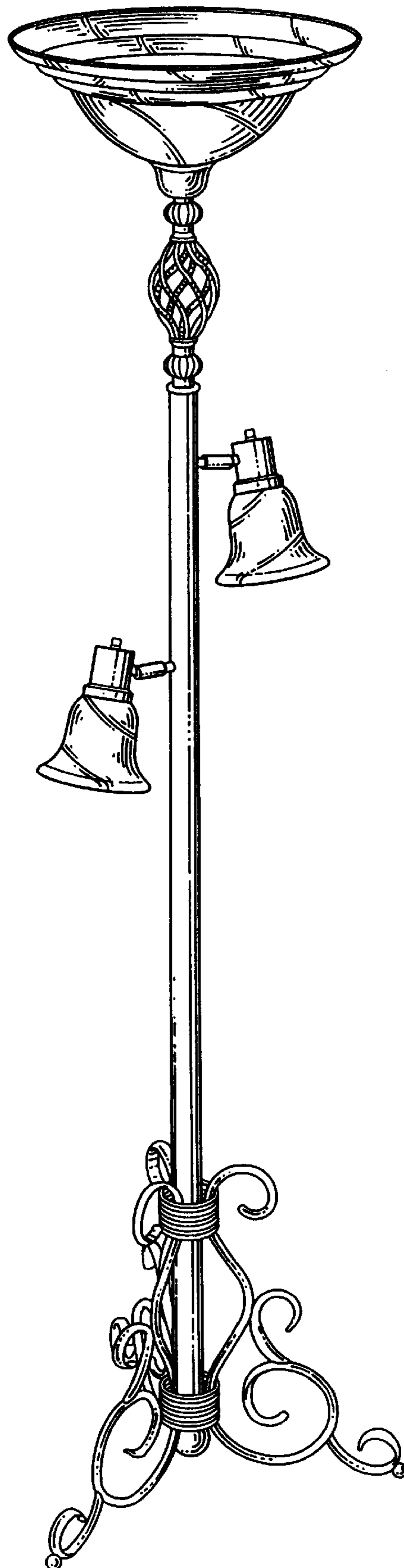


FIG. 1



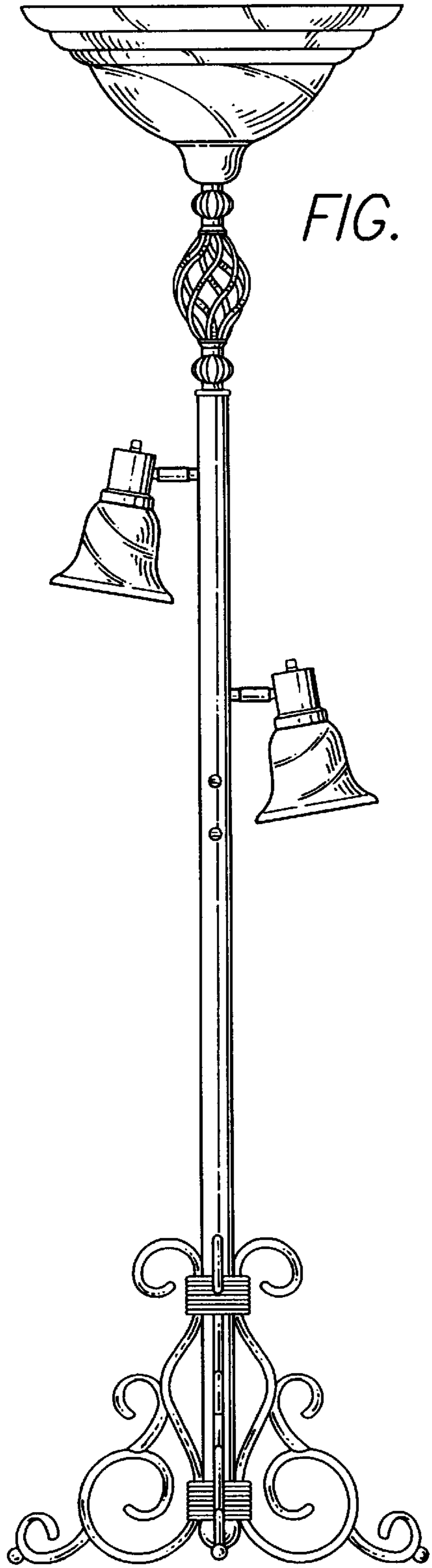


FIG. 2

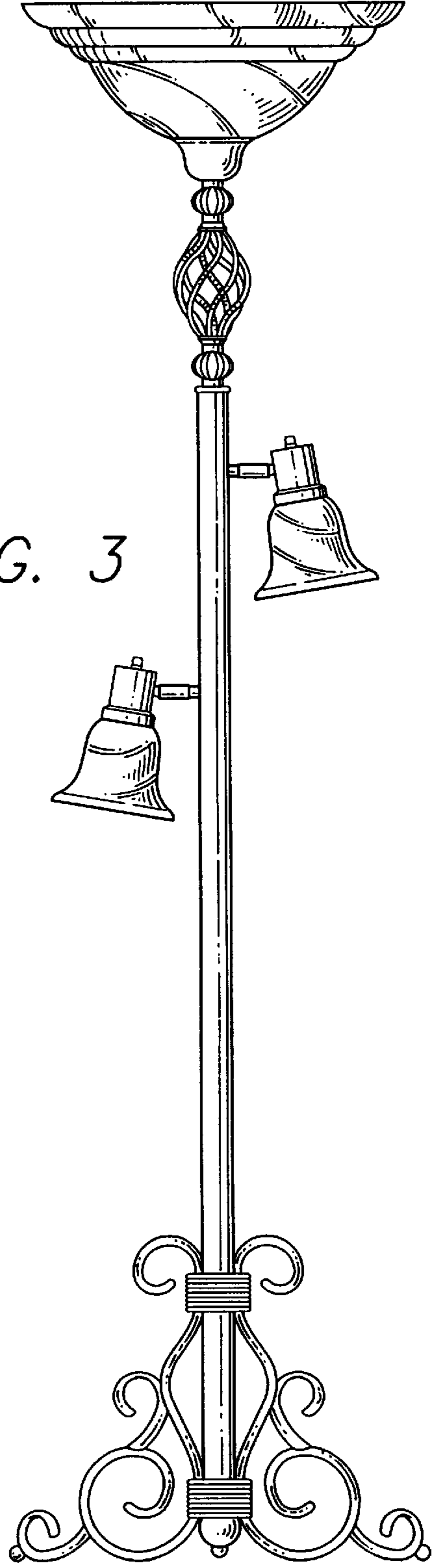


FIG. 3

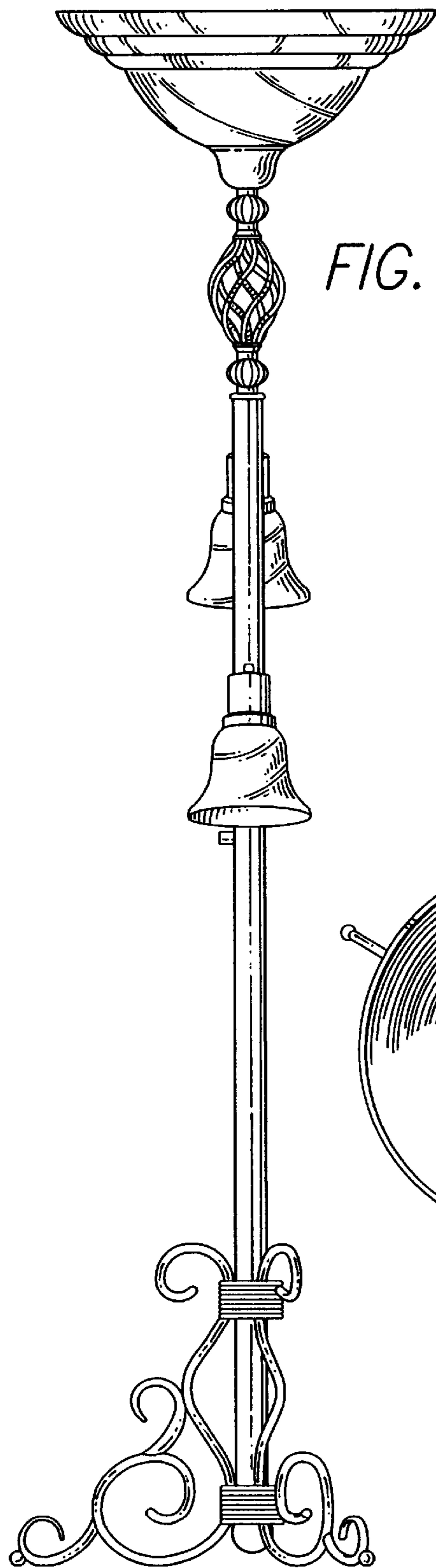


FIG. 4

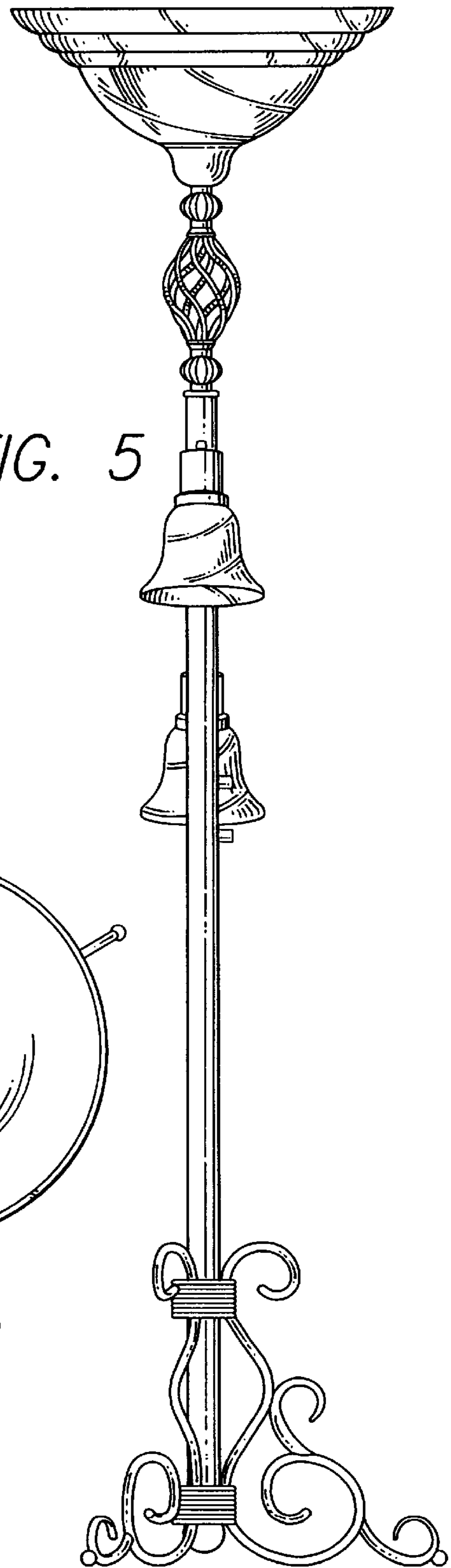


FIG. 5

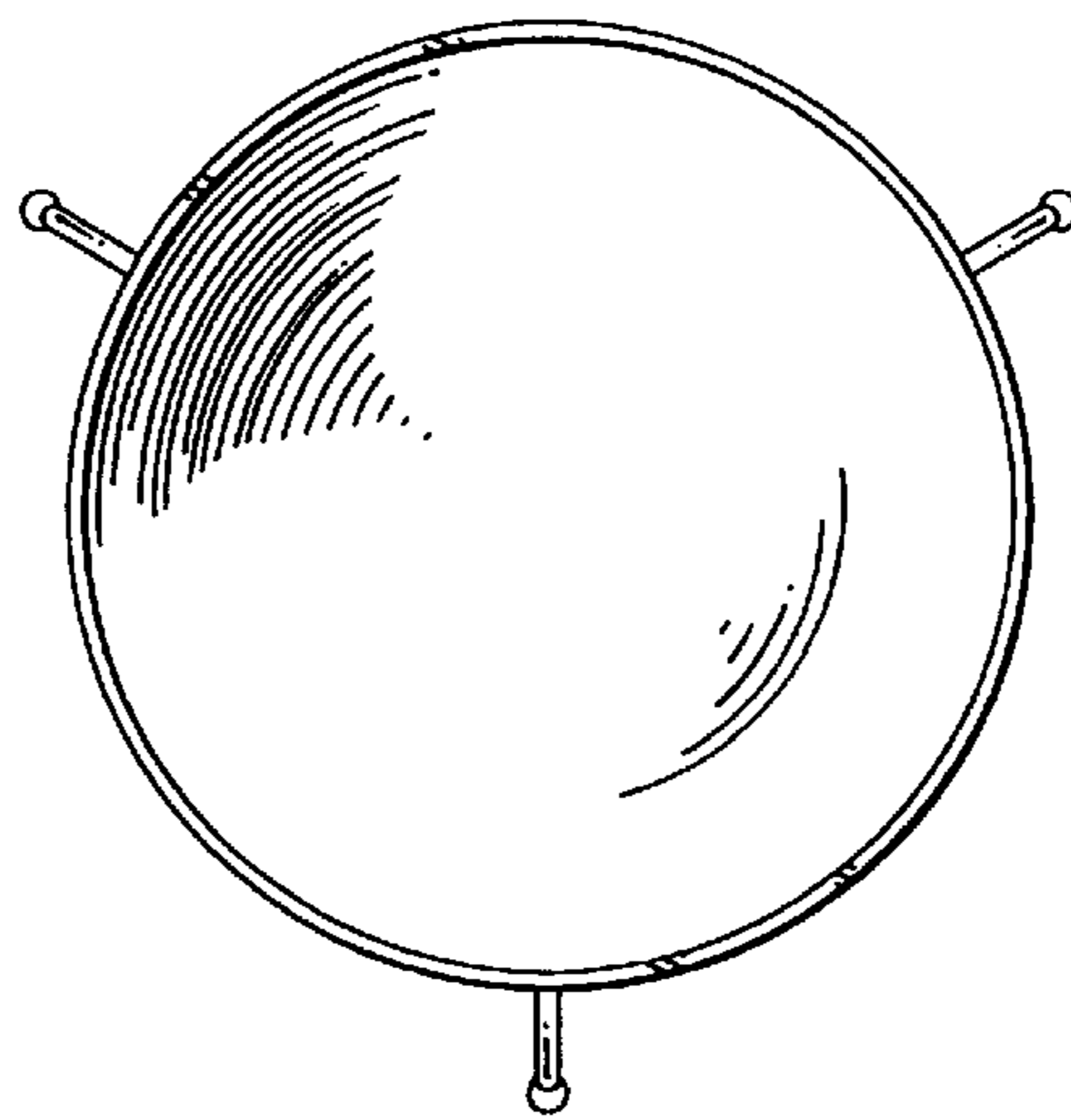


FIG. 6