



US00D427707S

# United States Patent [19]

[11] **Patent Number: Des. 427,707**

**Dolan**

[45] **Date of Patent: \*\* Jul. 4, 2000**

[54] **LIGHT FIXTURE CEILING PAN**

[76] Inventor: **Patrick S. Dolan**, 1901 NW. Upshur, Portland, Oreg. 97209

[\*\*] Term: **14 Years**

[21] Appl. No.: **29/099,082**

[22] Filed: **Jan. 13, 1999**

[51] **LOC (7) Cl. .... 26-05**

[52] **U.S. Cl. .... D26/85**

[58] **Field of Search ..... D26/72, 80-92, D26/142, 152, 153, 155; 362/404-409, 432**

[56] **References Cited**

**PUBLICATIONS**

Kichler Lighting, 7711 E. Pleasant Valley Rd, Cleveland, OH 44131, Catalog No. 796 1996, Model K8843 p. S-237.  
Murray Feiss Lighting Fixture, 125 Rose Feiss Blvd, Bronx, NY 10454, Catalog FX1-96 1996, Model FM109 p. FX90.  
Seagull Lighting, 301 W. Washington St, Riverside, NJ 08075, Catalog 1999, Model 7504-02 p. 114.

Quoizel, 6 Corporate Parkway, Goose Creek, SC 294445, Catalog 1997, Model ML182B p. 32.

Murray Feiss lighting catalog, Mar. 1995, semi flush lighting fixture #M/PB.

Progress lighting catalog, Jul. 1994, ceiling fixture, #P3707-30.

*Primary Examiner*—Susan J. Lucas

[57] **CLAIM**

The ornamental design for a light fixture ceiling pan, as shown and described.

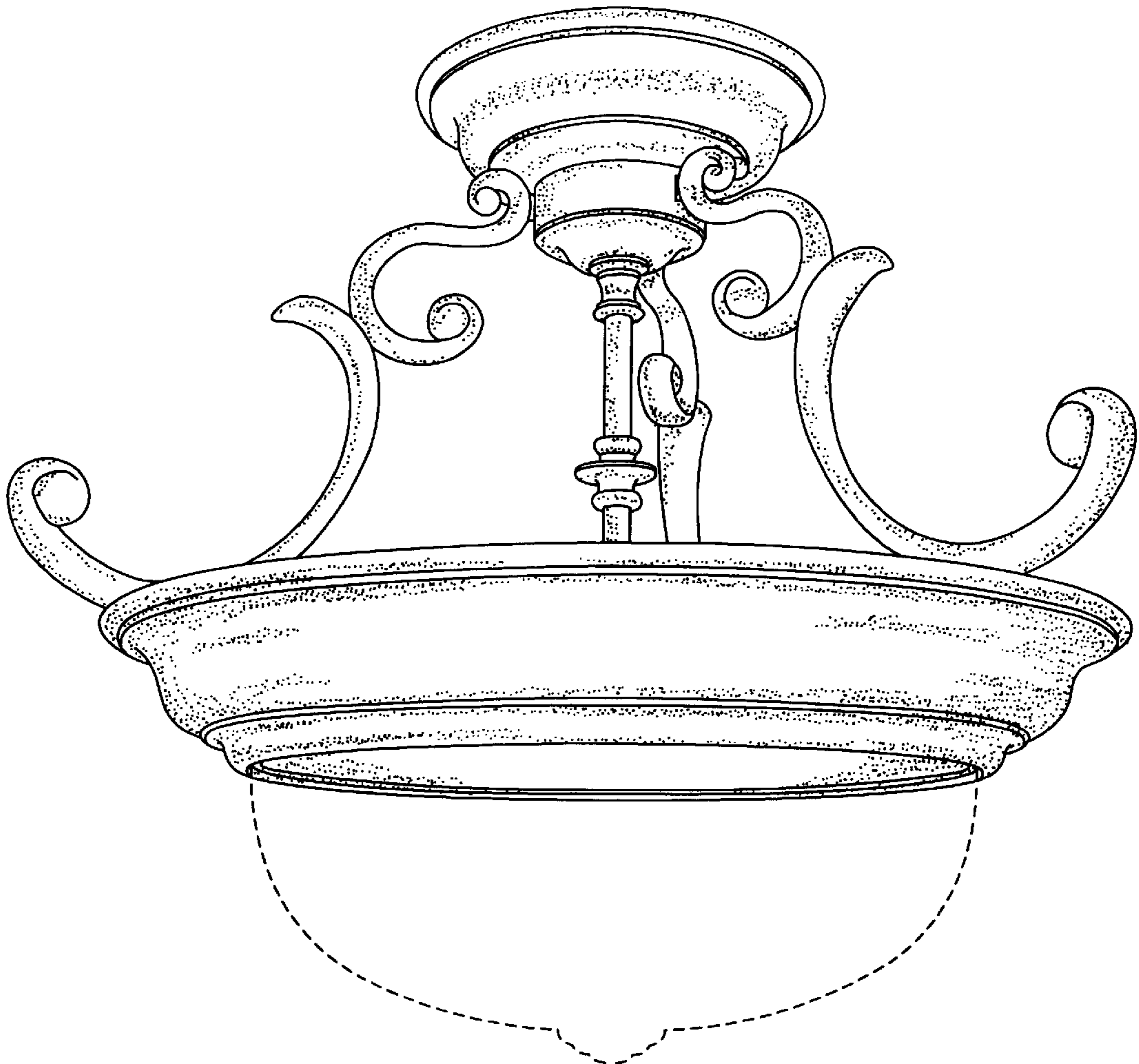
**DESCRIPTION**

FIG. 1 is a perspective view thereof;  
FIG. 2 is a front elevational view thereof;  
FIG. 3 is a right side elevational view, the left side being identical;

FIG. 4 is a top plan view thereof; and,  
FIG. 5 is a bottom plan view thereof.

The broken lines are for shown for illustrative purposes only and form no part of claimed design.

**1 Claim, 5 Drawing Sheets**



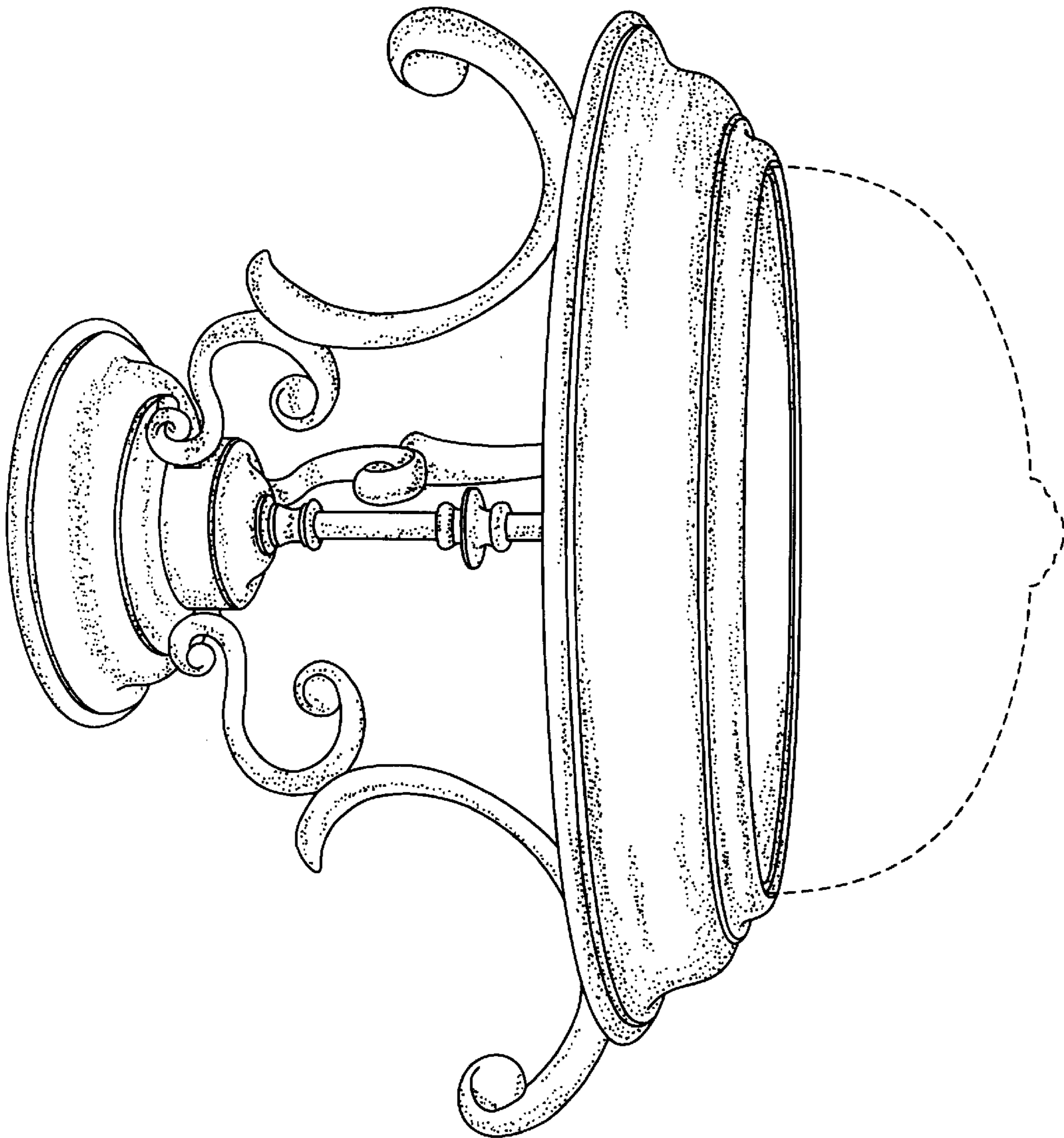


FIG. 1

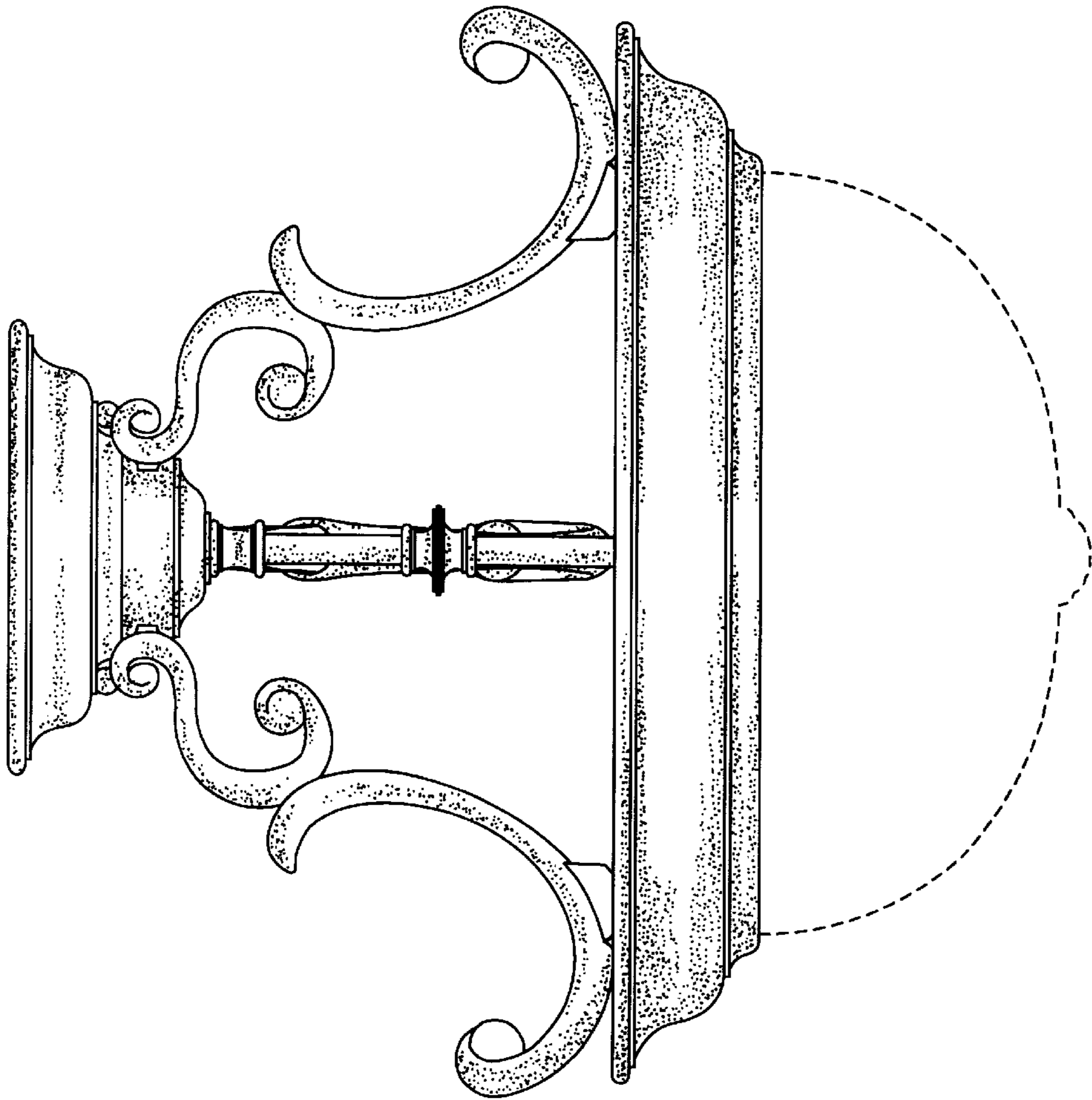


FIG. 2

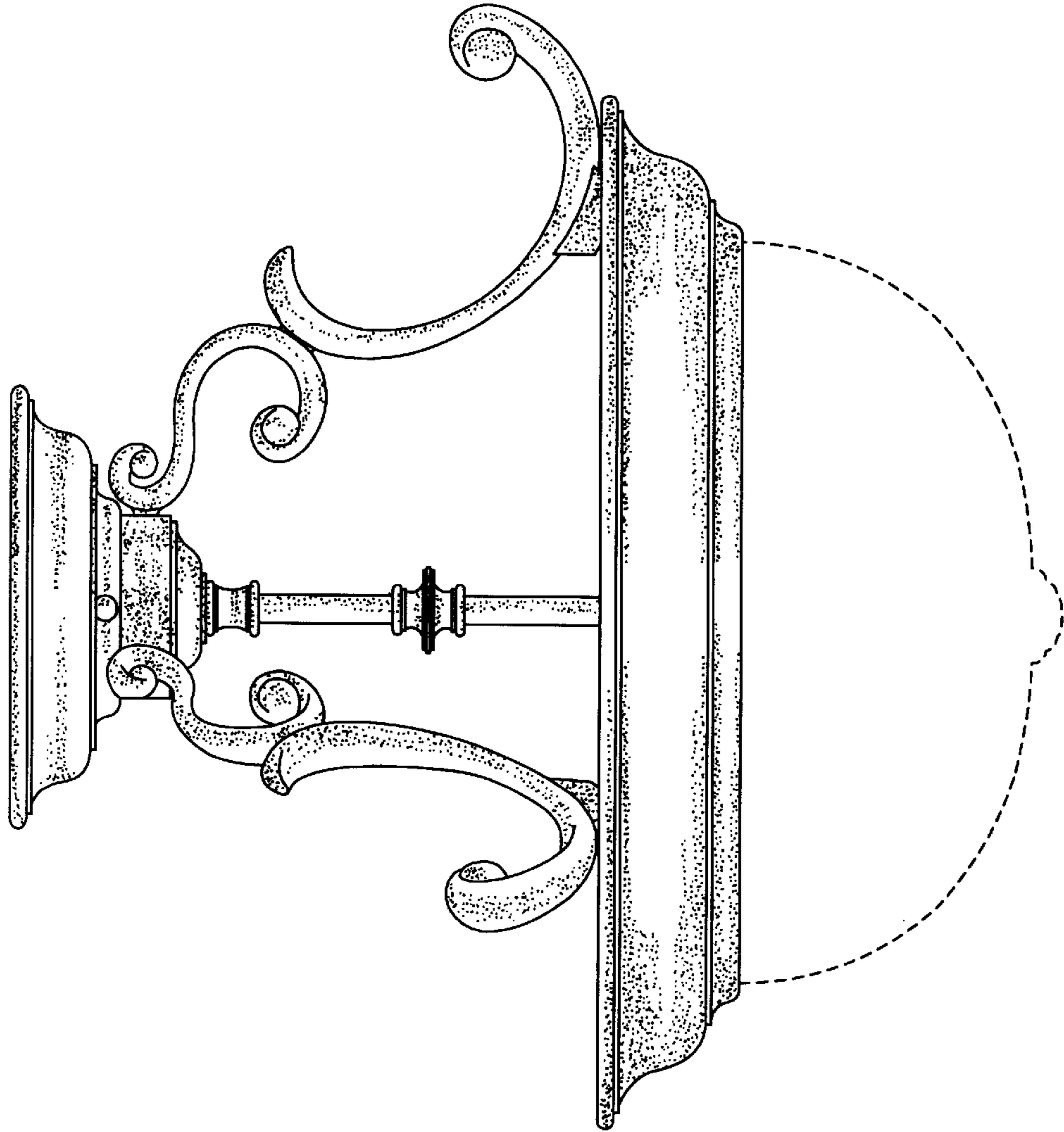


FIG. 3

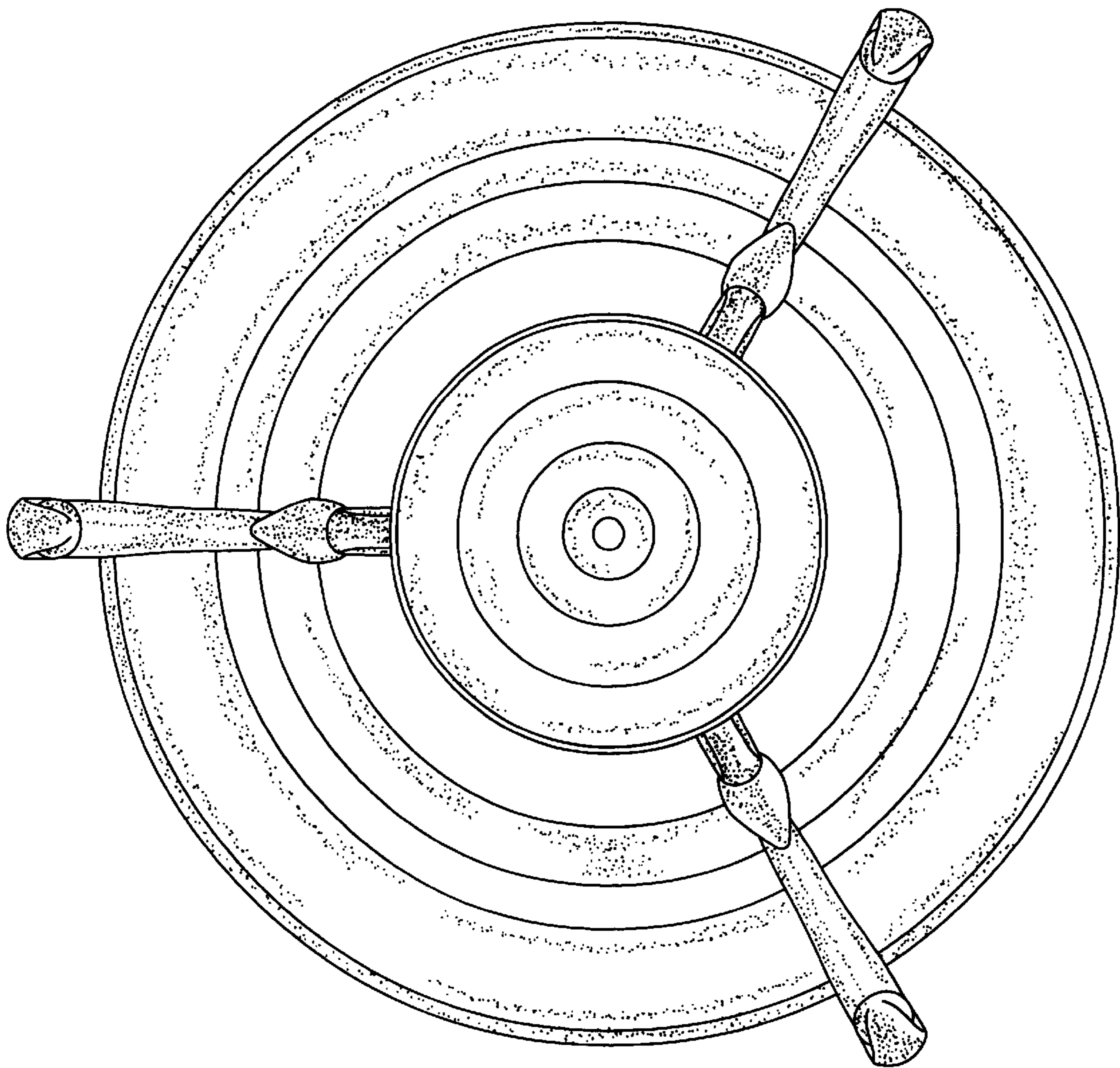


FIG. 4

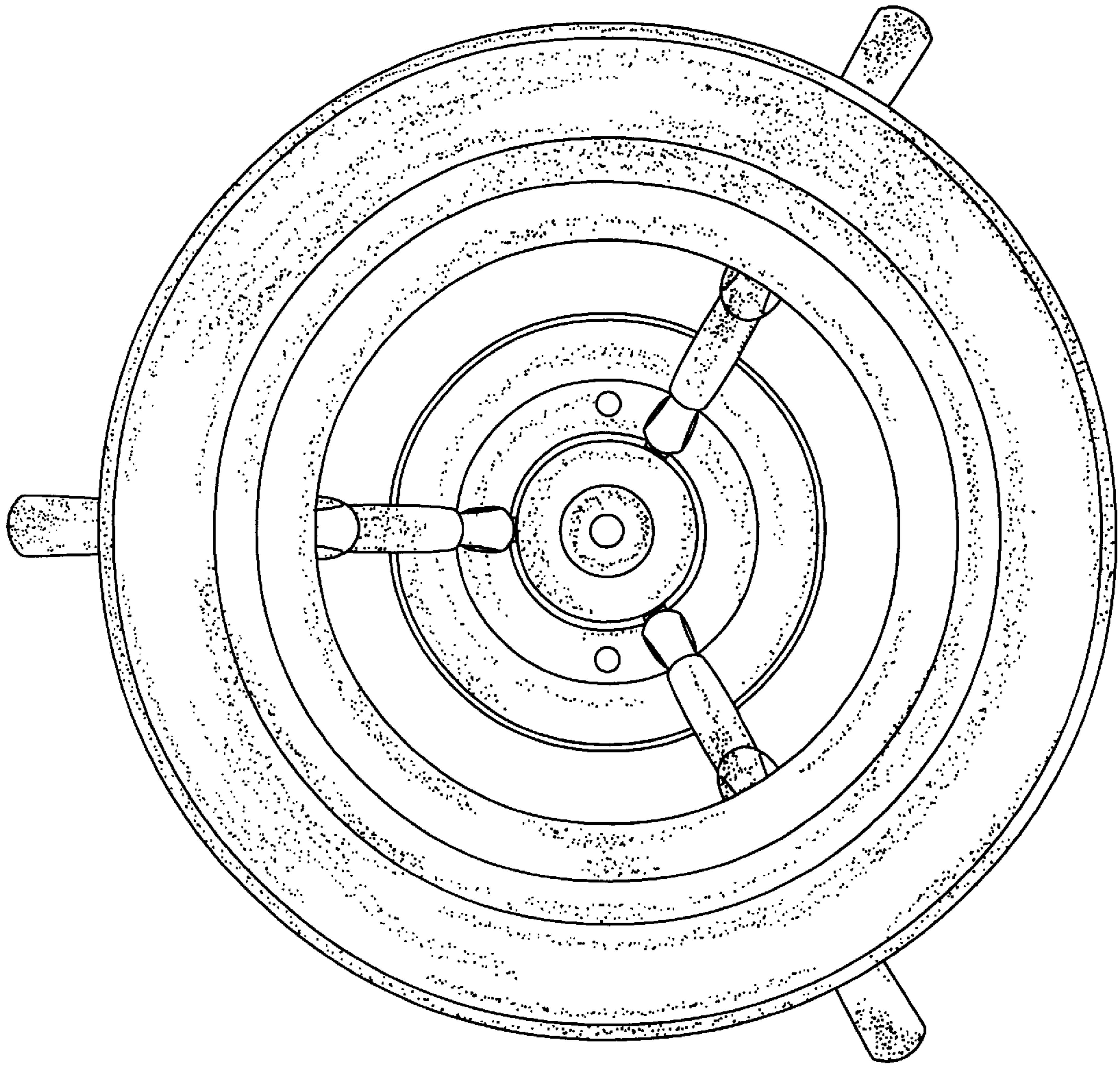


FIG. 5