



US00D427706S

United States Patent [19] Irvine

[11] **Patent Number: Des. 427,706**

[45] **Date of Patent: ** Jul. 4, 2000**

[54] **CEILING LIGHT**

[75] Inventor: **James Irvine**, Milan, Italy

[73] Assignee: **Zumtobel Staff GmbH**, Dornbirn, Austria

[**] Term: **14 Years**

[21] Appl. No.: **29/088,519**

[22] Filed: **May 27, 1998**

[30] **Foreign Application Priority Data**

Nov. 27, 1997 [DE] Germany M 97 11 133

[51] **LOC (7) Cl.** **26-05**

[52] **U.S. Cl.** **D26/76**

[58] **Field of Search** D26/72, 75, 76,
D26/77, 78; 362/147, 432, 217, 218, 222,
223, 224, 225

[56] **References Cited**

U.S. PATENT DOCUMENTS

D. 332,502 1/1993 Roos D26/78

D. 349,358 8/1994 Herst et al. D26/76 X
D. 363,805 10/1995 Cole, Jr. D26/76
D. 393,734 4/1998 Casteel D26/76

Primary Examiner—Susan J. Lucas
Attorney, Agent, or Firm—Fitzpatrick, Cella, Harper & Scinto

[57] **CLAIM**

The ornamental design for ceiling light, as shown and described.

DESCRIPTION

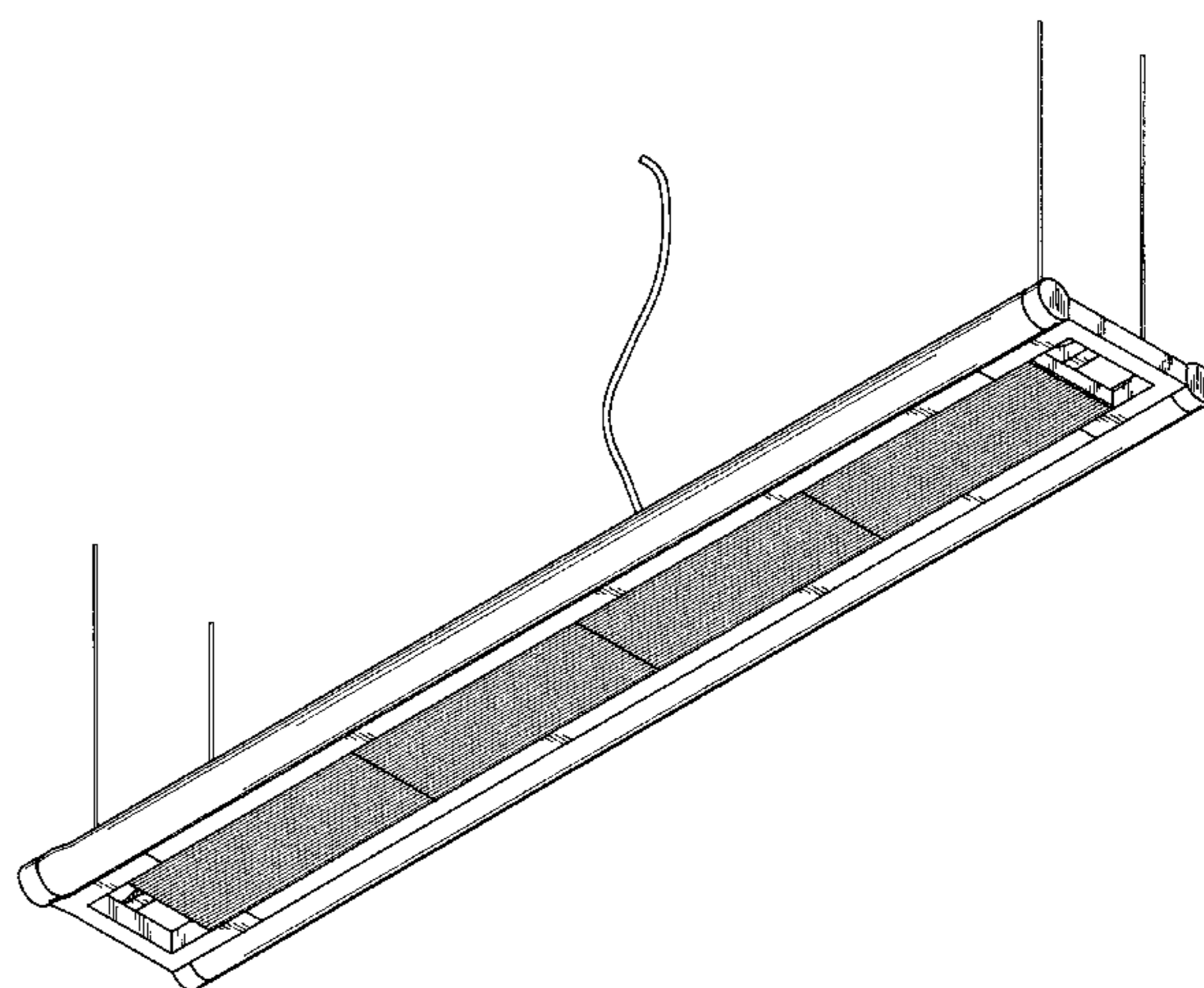
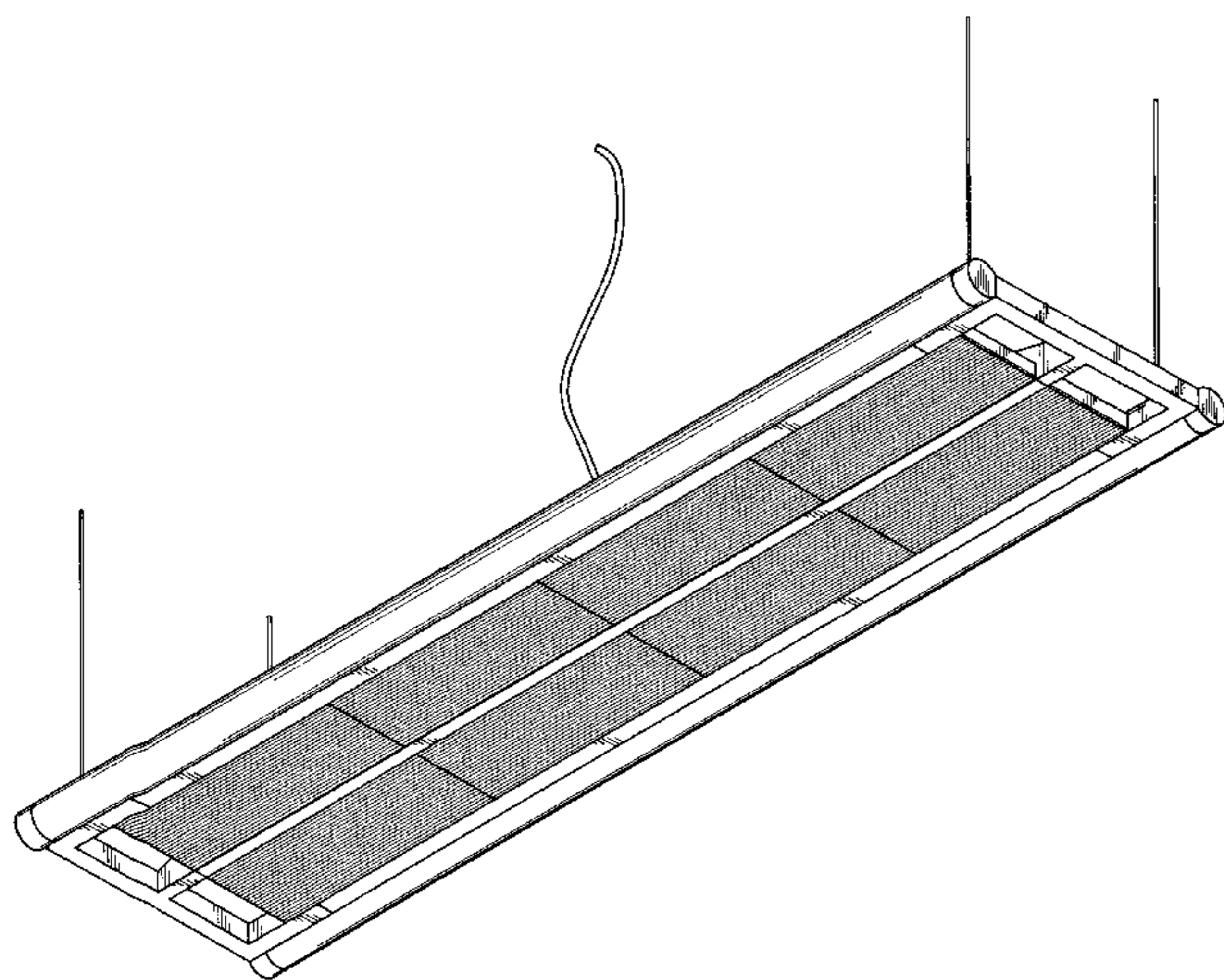
FIG. 1 is a perspective view of a first embodiment of the new design as viewed from beneath;

FIG. 2 is a perspective view of the embodiment of FIG. 1 as viewed from above;

FIG. 3 is a perspective view of a second embodiment of the claimed design as viewed from beneath; and,

FIG. 4 is a perspective view of the embodiment of FIG. 3 as viewed from above.

1 Claim, 4 Drawing Sheets



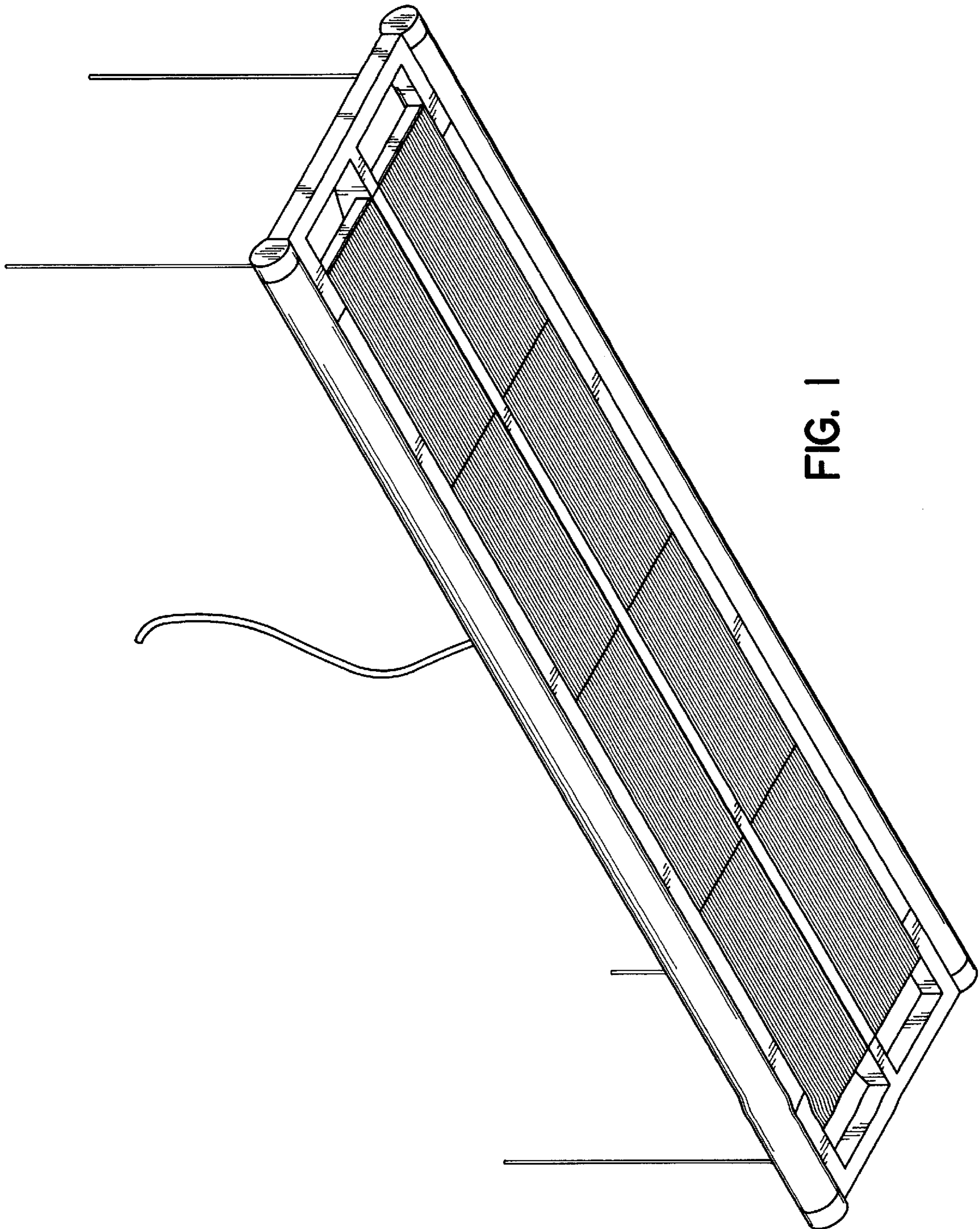


FIG. 1

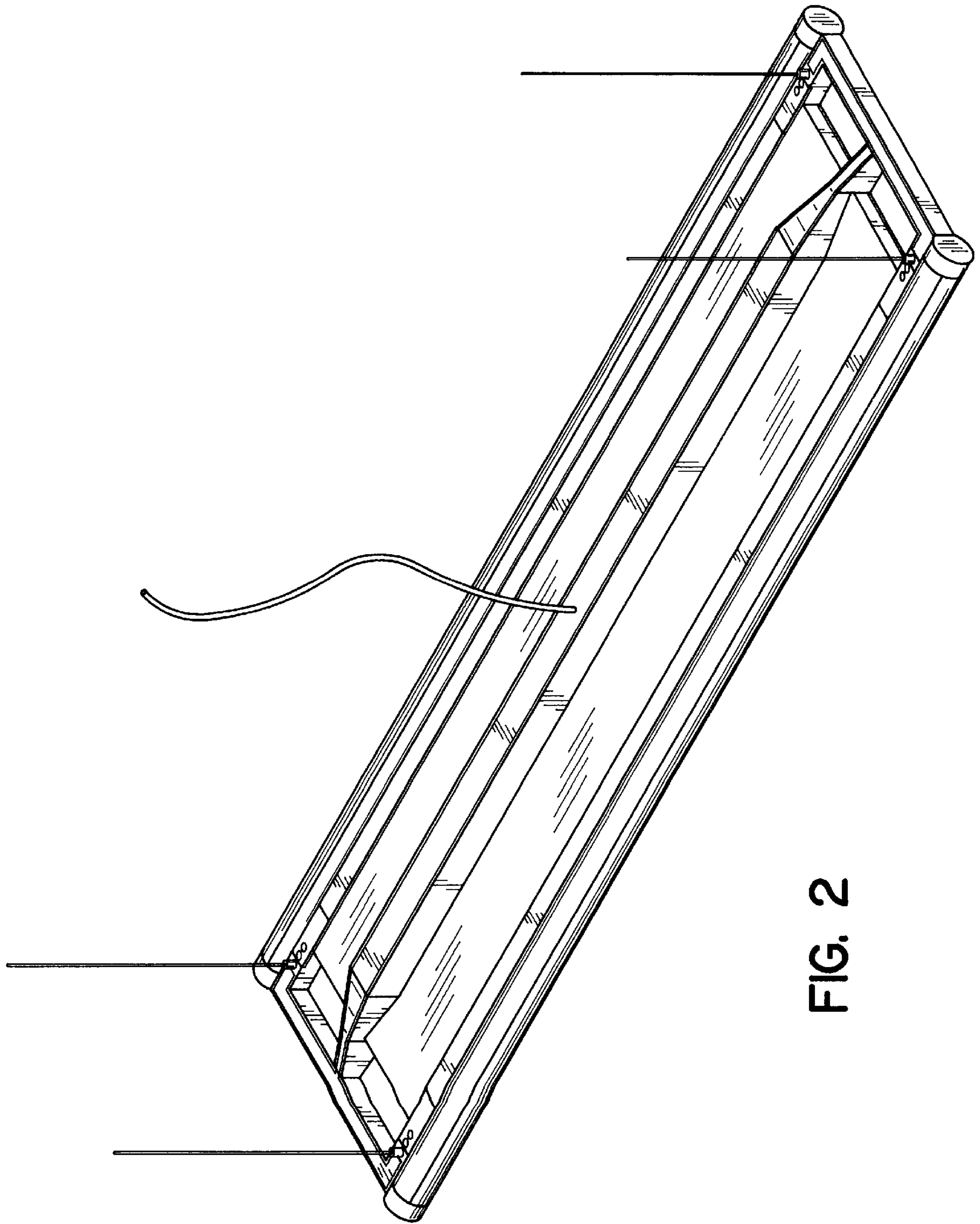


FIG. 2

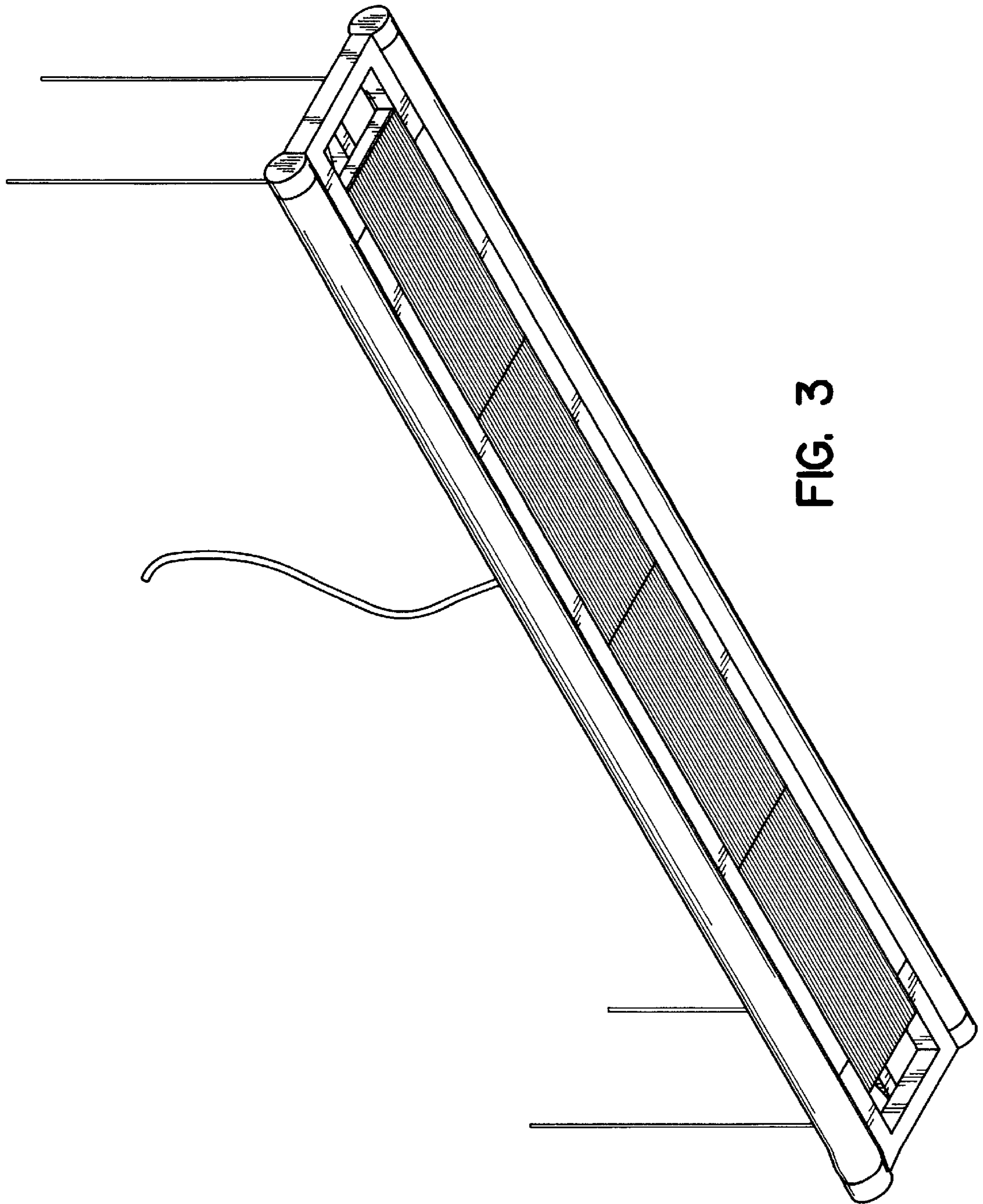


FIG. 3

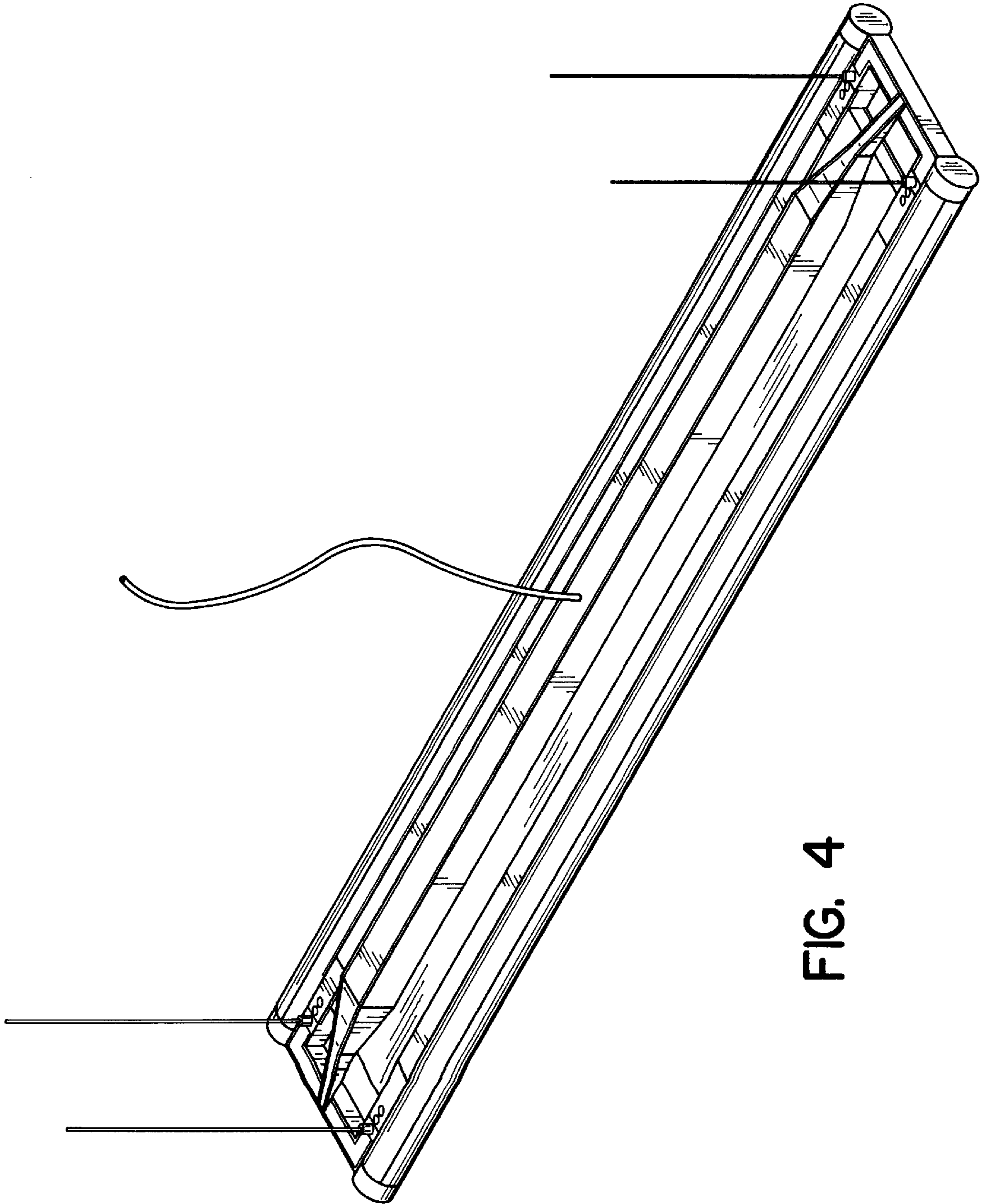


FIG. 4