



US00D427704S

United States Patent [19]

Bossy

[11] **Patent Number: Des. 427,704**

[45] **Date of Patent: ** Jul. 4, 2000**

[54] **OUTDOOR LAMP**

[75] Inventor: **Rino Bossy**, Wullfrath, Germany

[73] Assignee: **Trilux-Lenze GmbH + Co. KG**,
Arnsberg, Germany

[**] Term: **14 Years**

[21] Appl. No.: **29/106,519**

[22] Filed: **Jun. 16, 1999**

[51] **LOC (7) Cl.** **26-05**

[52] **U.S. Cl.** **D26/67**

[58] **Field of Search** D26/67-71, 72,
D26/85, 87, 92, 61, 63; 362/431, 432, 147,
153, 183, 287, 269, 277, 275, 418, 419,
427

[56] **References Cited**

U.S. PATENT DOCUMENTS

- D. 201,909 8/1965 Harling D26/67
- D. 310,268 8/1990 Shalvi 26/67

OTHER PUBLICATIONS

Sea Gull lighting catalog, Jan. 1996, p. 207, light path shade, #9307-12.

Primary Examiner—Susan J. Lucas
Attorney, Agent, or Firm—Brooks & Kushman P.C.

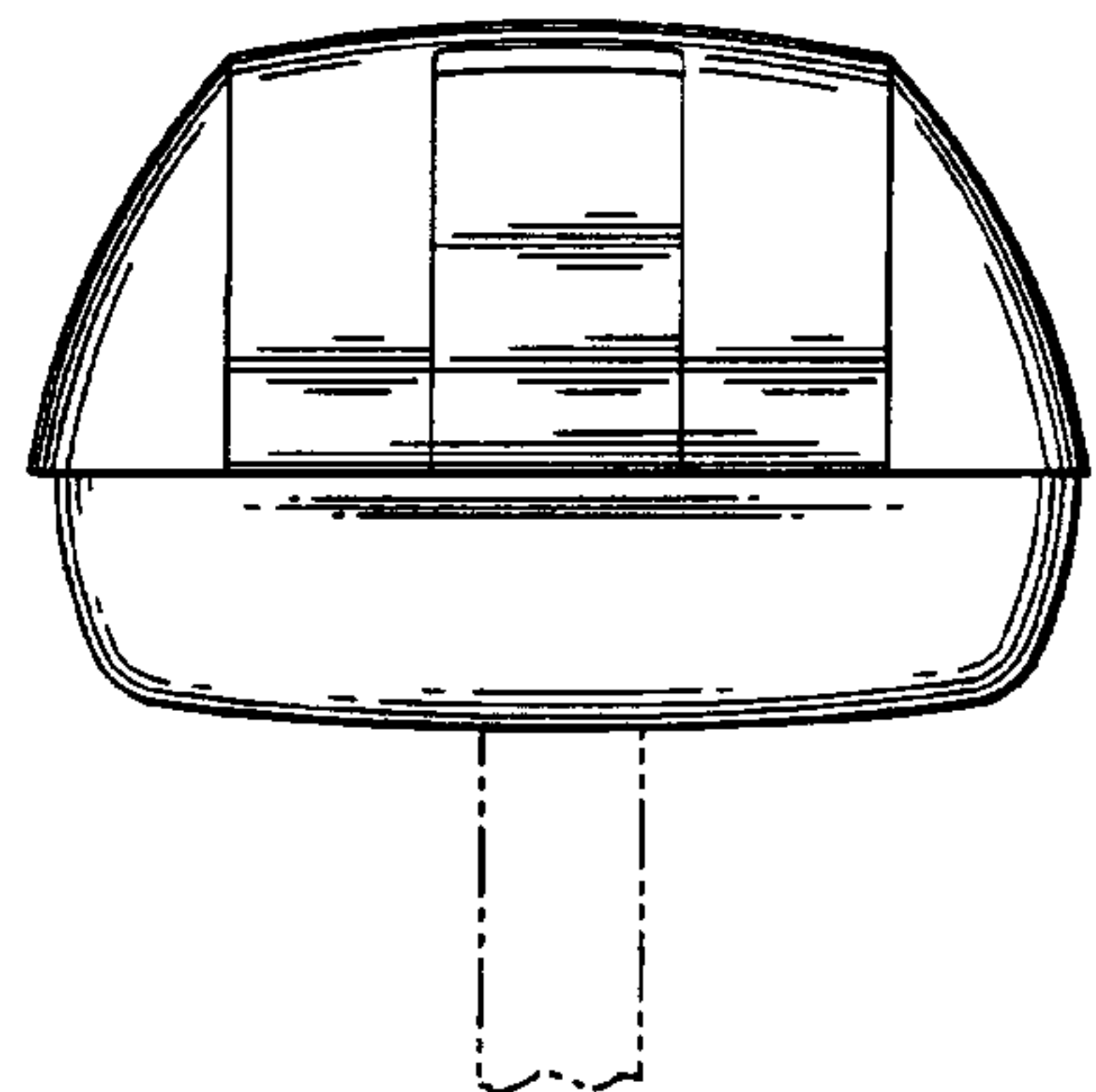
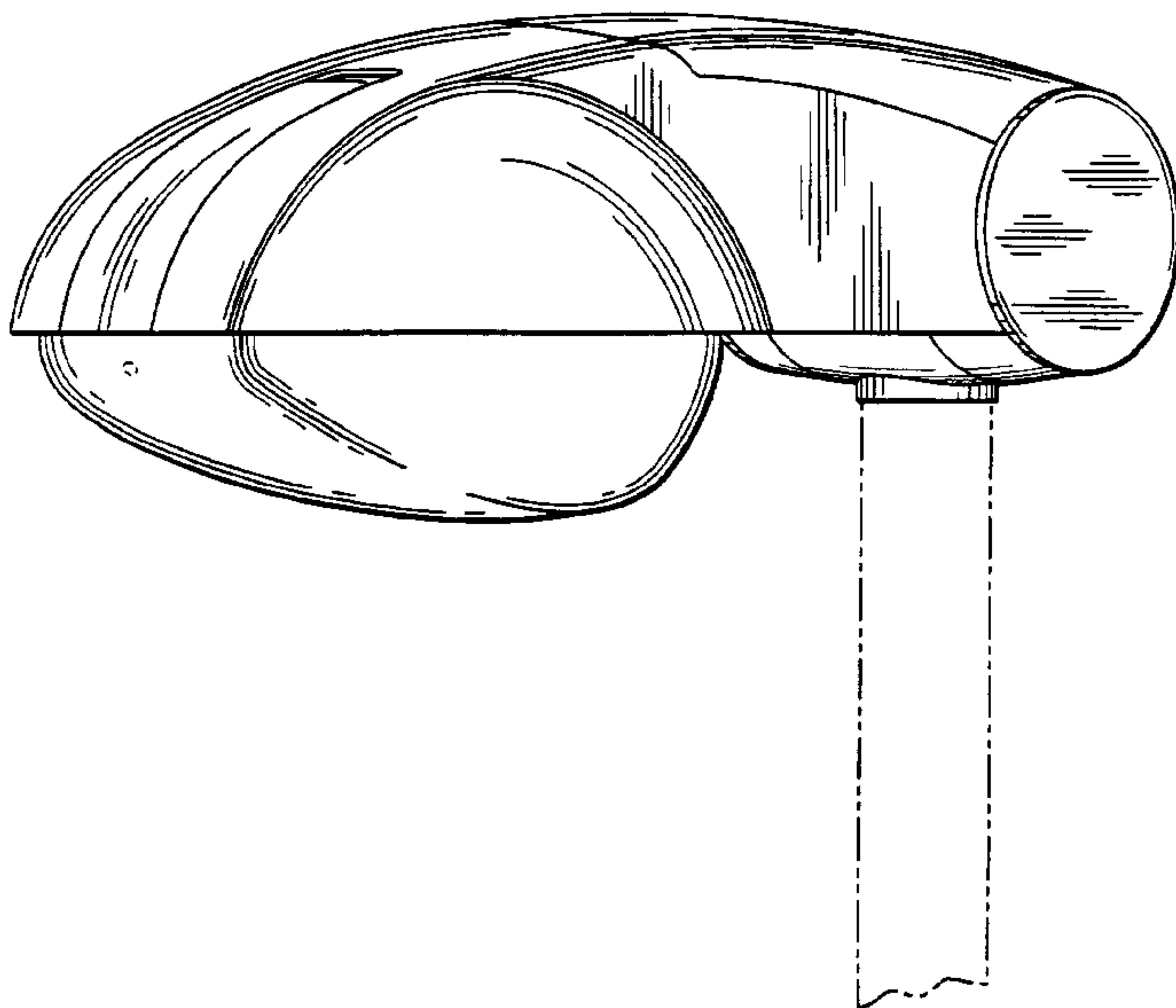
[57] **CLAIM**

The ornamental design for an outdoor lamp, as shown and described.

DESCRIPTION

FIG. 1 is a perspective view of my new design;
FIG. 2 is a right-side elevational view of the new design, the left side being a mirror image thereof;
FIG. 3 is a top plan view of the new design;
FIG. 4 is a front elevational view of the new design;
FIG. 5 is a bottom plan view of the new design; and,
FIG. 6 is a rear elevational view of the new design.
The broken line are shown for illustrative purposes only and form no part of the claimed design.

1 Claim, 3 Drawing Sheets



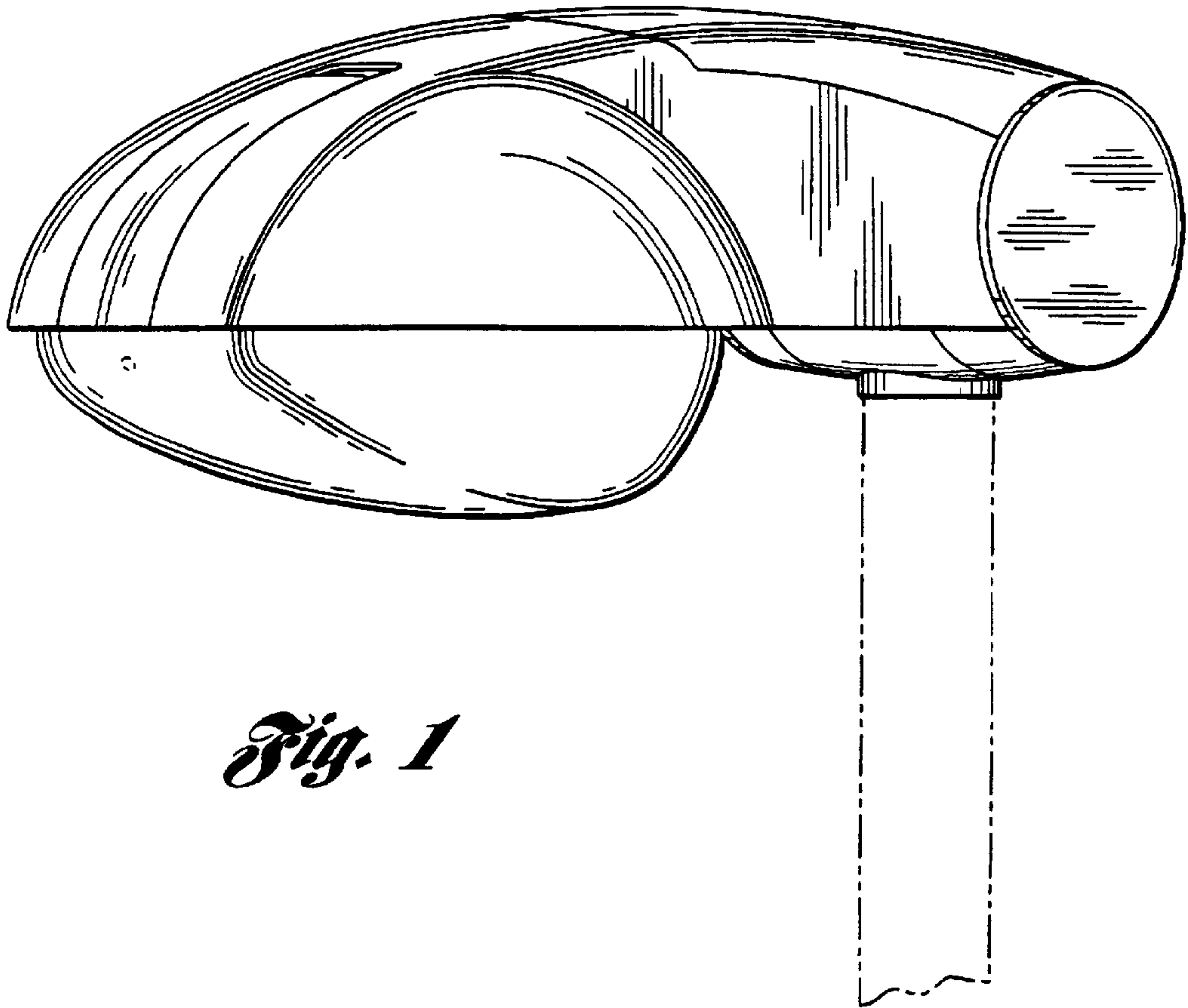


Fig. 1

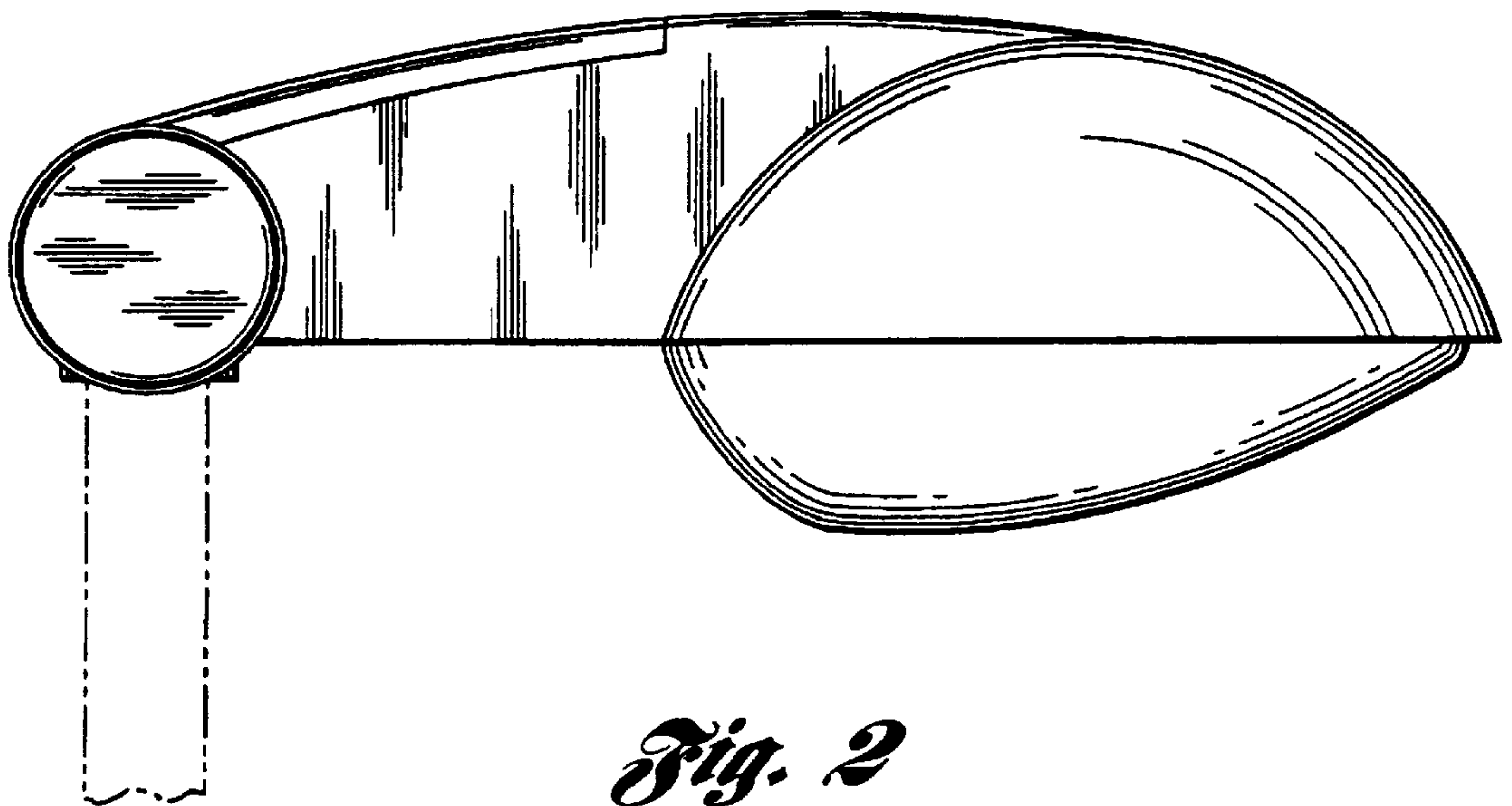


Fig. 2

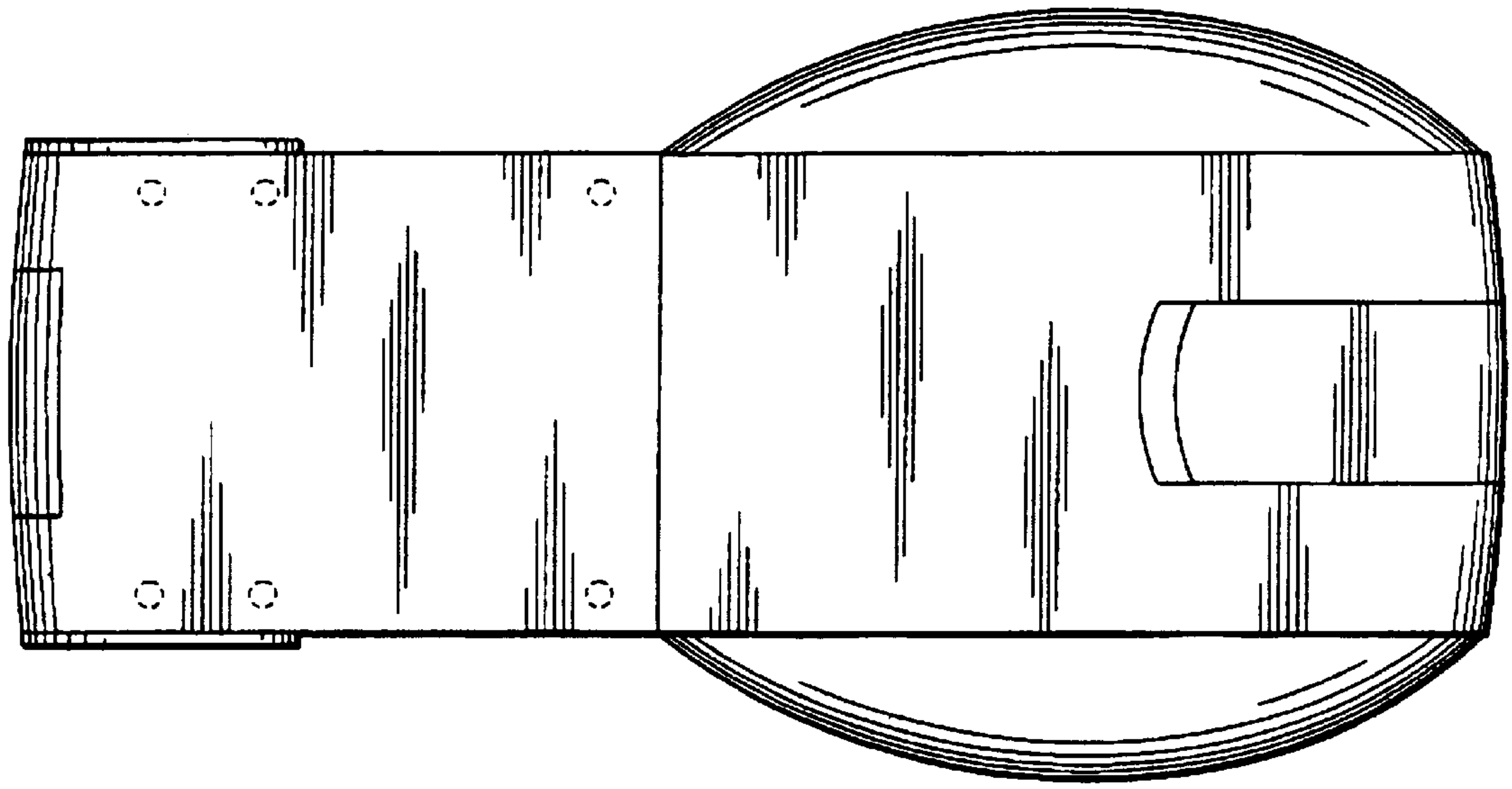


Fig. 3

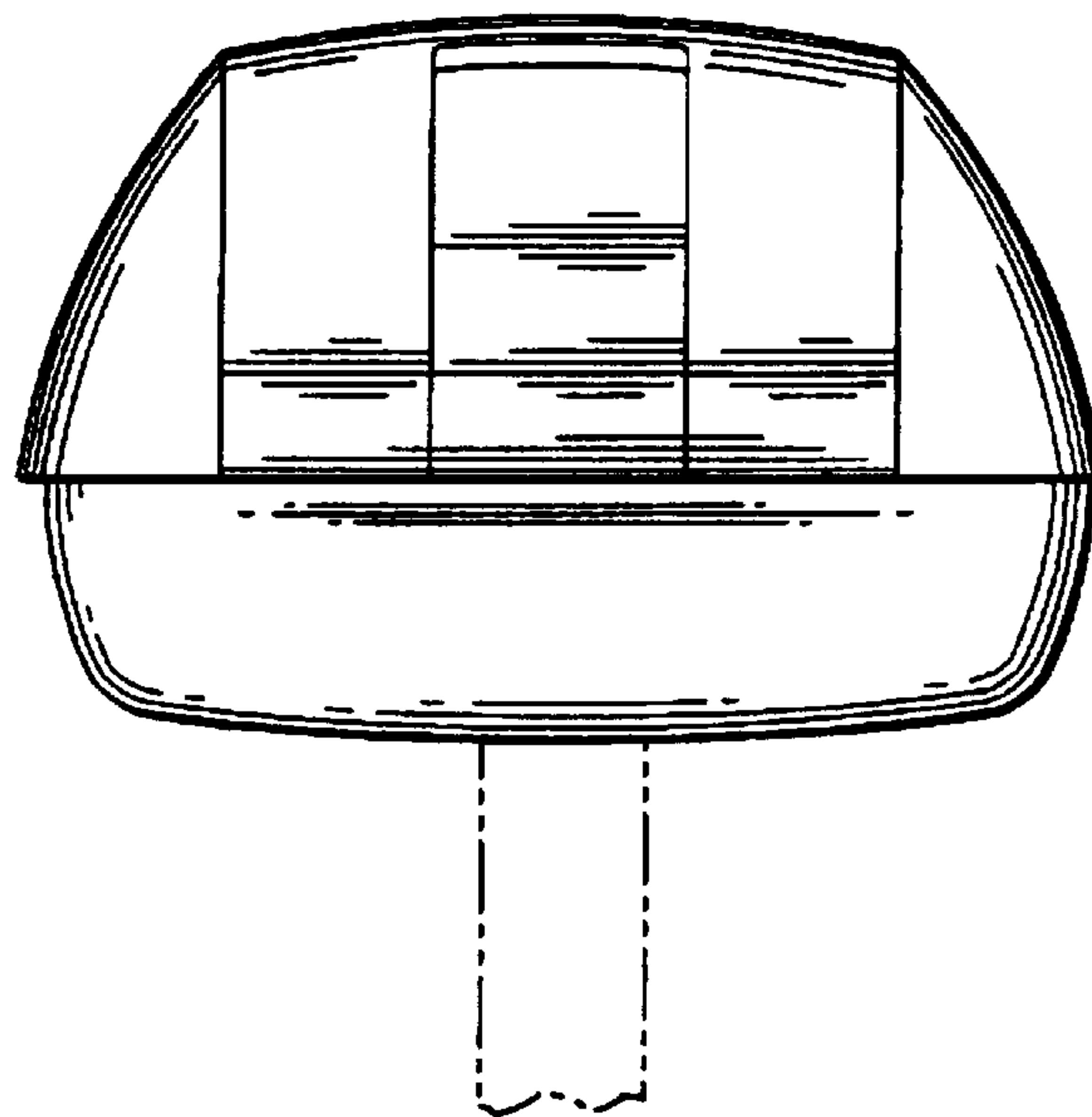


Fig. 4

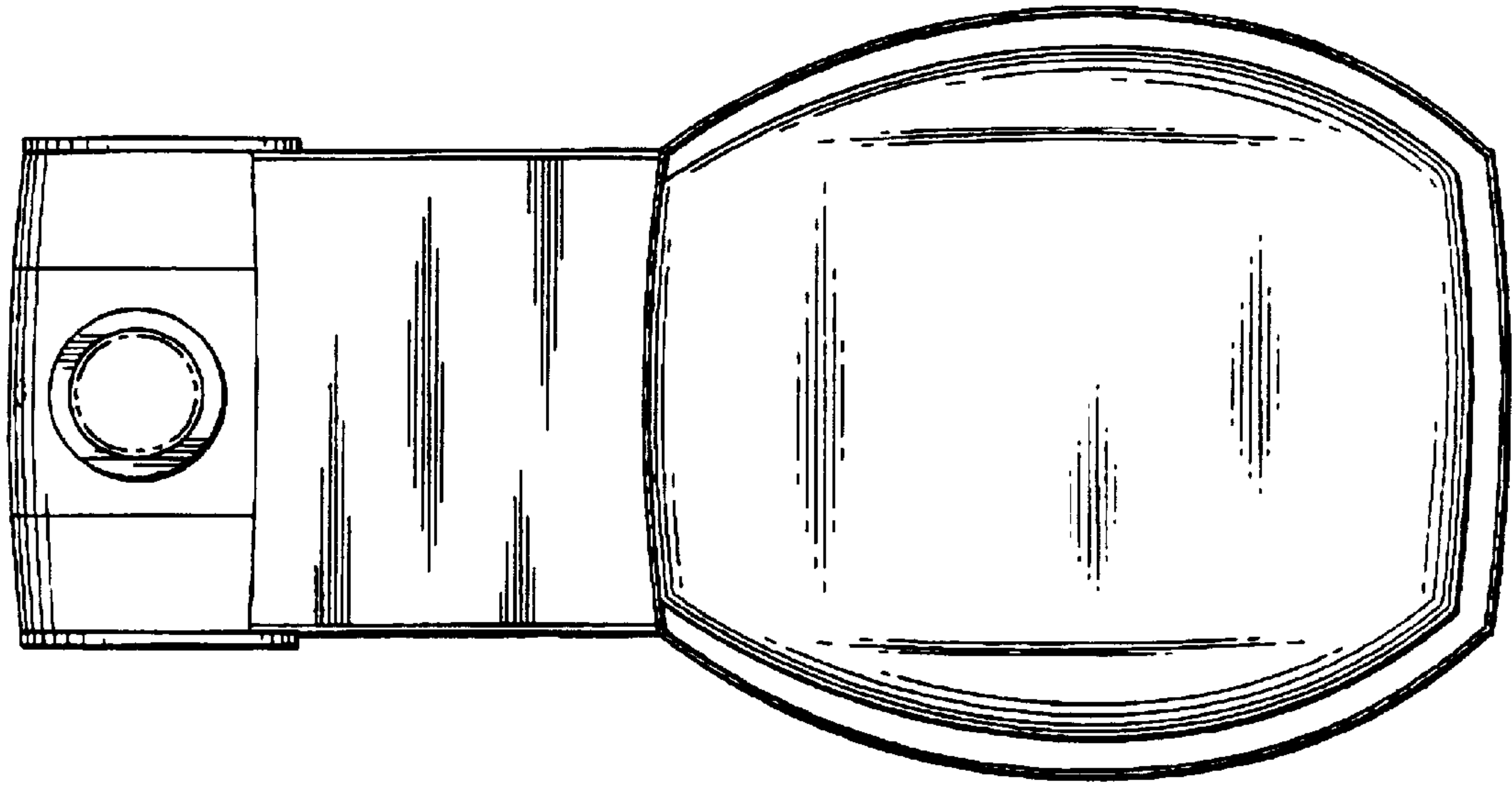


Fig. 5

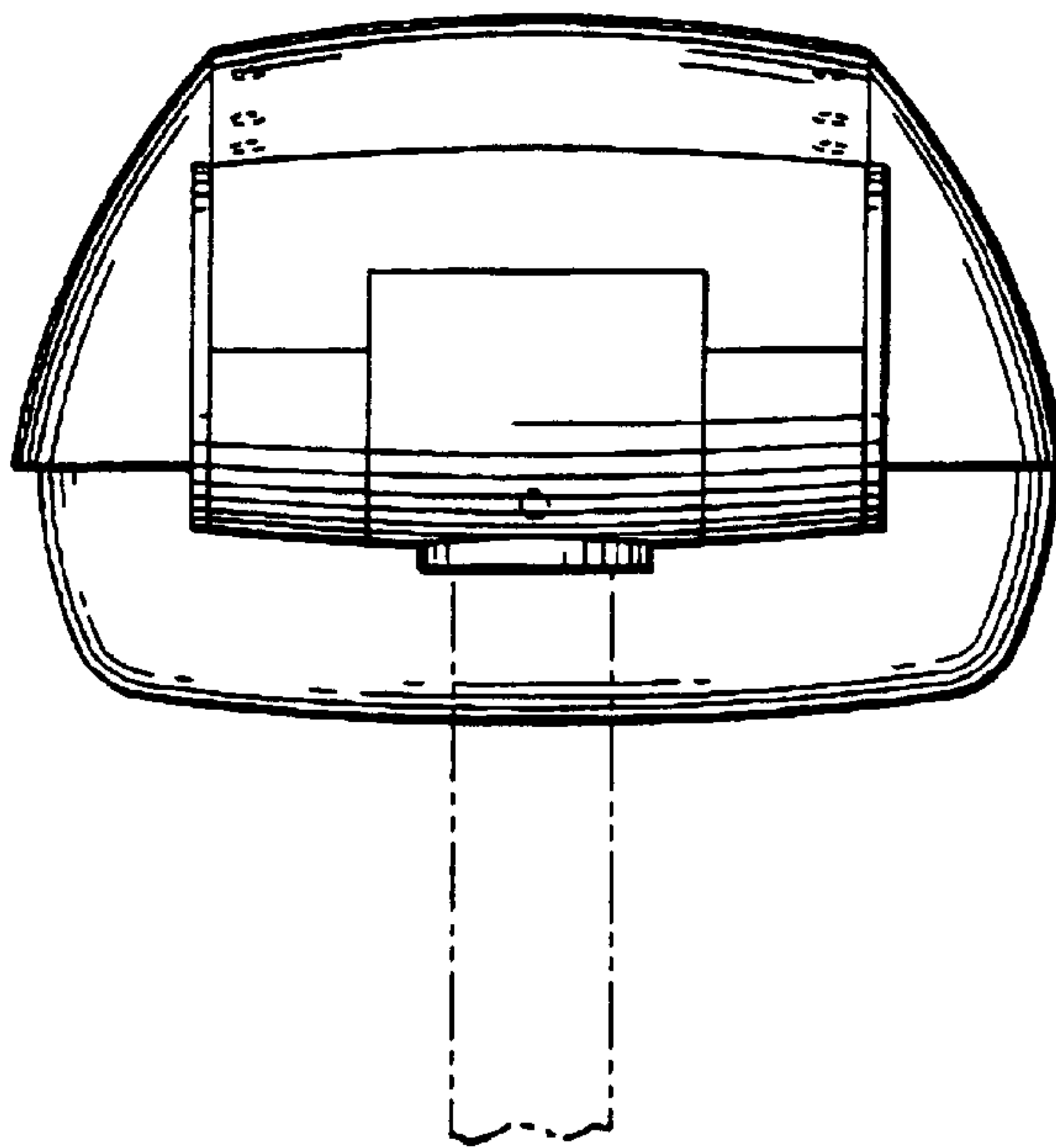


Fig. 6