



US00D427703S

# United States Patent [19] Chan

[11] **Patent Number: Des. 427,703**  
[45] **Date of Patent: \*\* Jul. 4, 2000**

[54] **CLIP-ON READER'S LIGHT**

D. 395,723 6/1998 Zeller ..... D26/60

[75] Inventor: **Wai Hong Chan**, New Territories, The Hong Kong Special Administrative Region of the People's Republic of China

**OTHER PUBLICATIONS**

Hong Kong Enterprise, Oct. 1997, p. 584, Meko 8 book light.

[73] Assignee: **Sunrich Manufactory Ltd.**, New Territories, The Hong Kong Special Administrative Region of the People's Republic of China

*Primary Examiner*—Susan J. Lucas  
*Attorney, Agent, or Firm*—William J. Sapone, Esq.; Nims, Howes, Collison, Hansen & Lackert

[\*\*] Term: **14 Years**

[57] **CLAIM**

The ornamental design for a clip-on reader's light, as shown and described.

[21] Appl. No.: **29/110,671**

**DESCRIPTION**

[22] Filed: **Sep. 7, 1999**

FIG. 1 is a front view of a clip-on reader's light, showing my new design, showing the light in an extended position; FIG. 2 is a rear view thereof; FIG. 3 is a top view thereof; FIG. 4 is a bottom view thereof; FIG. 5 is a right side thereof; FIG. 6 is a left side thereof; FIG. 7 is a top view of the clip-on reader's light showing the light in a retracted position; and, FIG. 8 is a front view thereof.

[51] **LOC (7) Cl.** ..... **26-05**

[52] **U.S. Cl.** ..... **D26/60**

[58] **Field of Search** ..... D26/60-66; 362/413, 362/418, 419, 427, 269, 271, 274, 275, 277, 282, 283, 285, 287, 396, 401

[56] **References Cited**

**U.S. PATENT DOCUMENTS**

D. 282,587 2/1986 Shwisha ..... D26/60

**1 Claim, 5 Drawing Sheets**

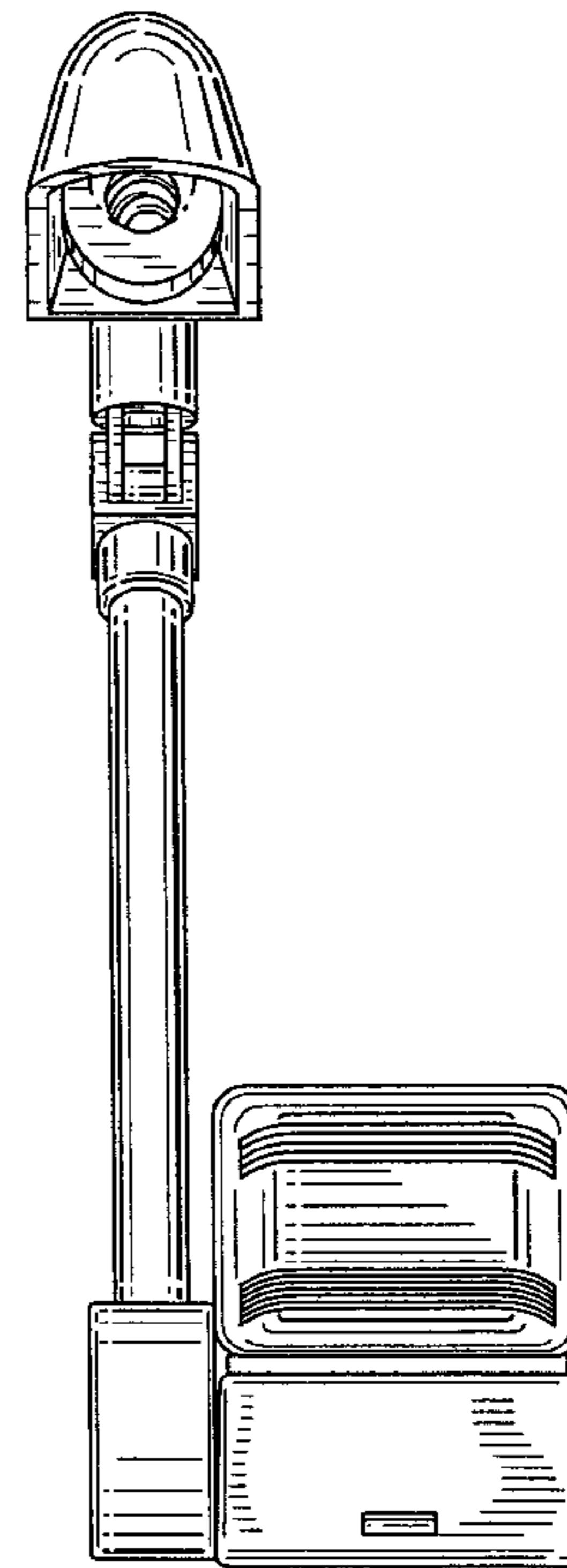
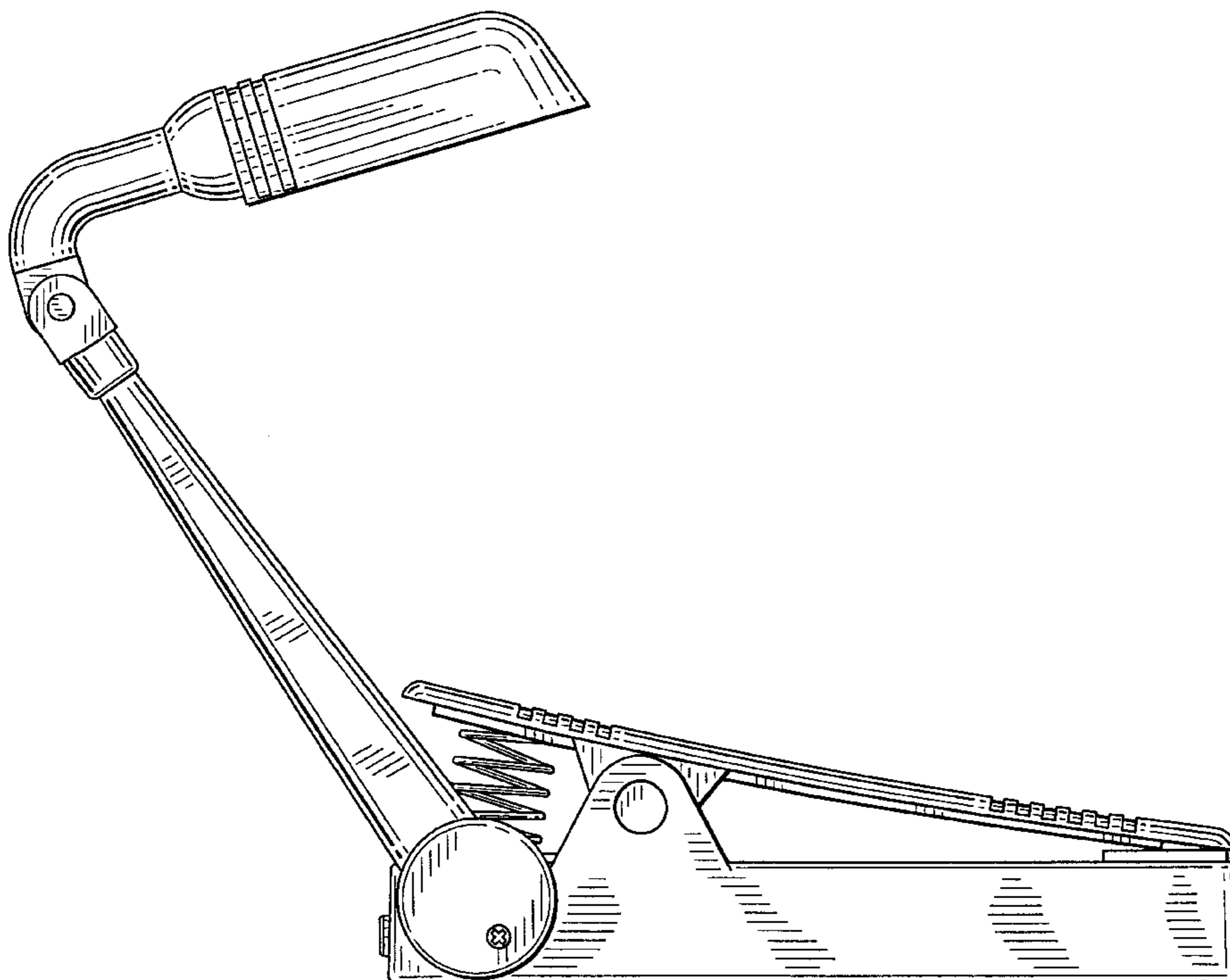
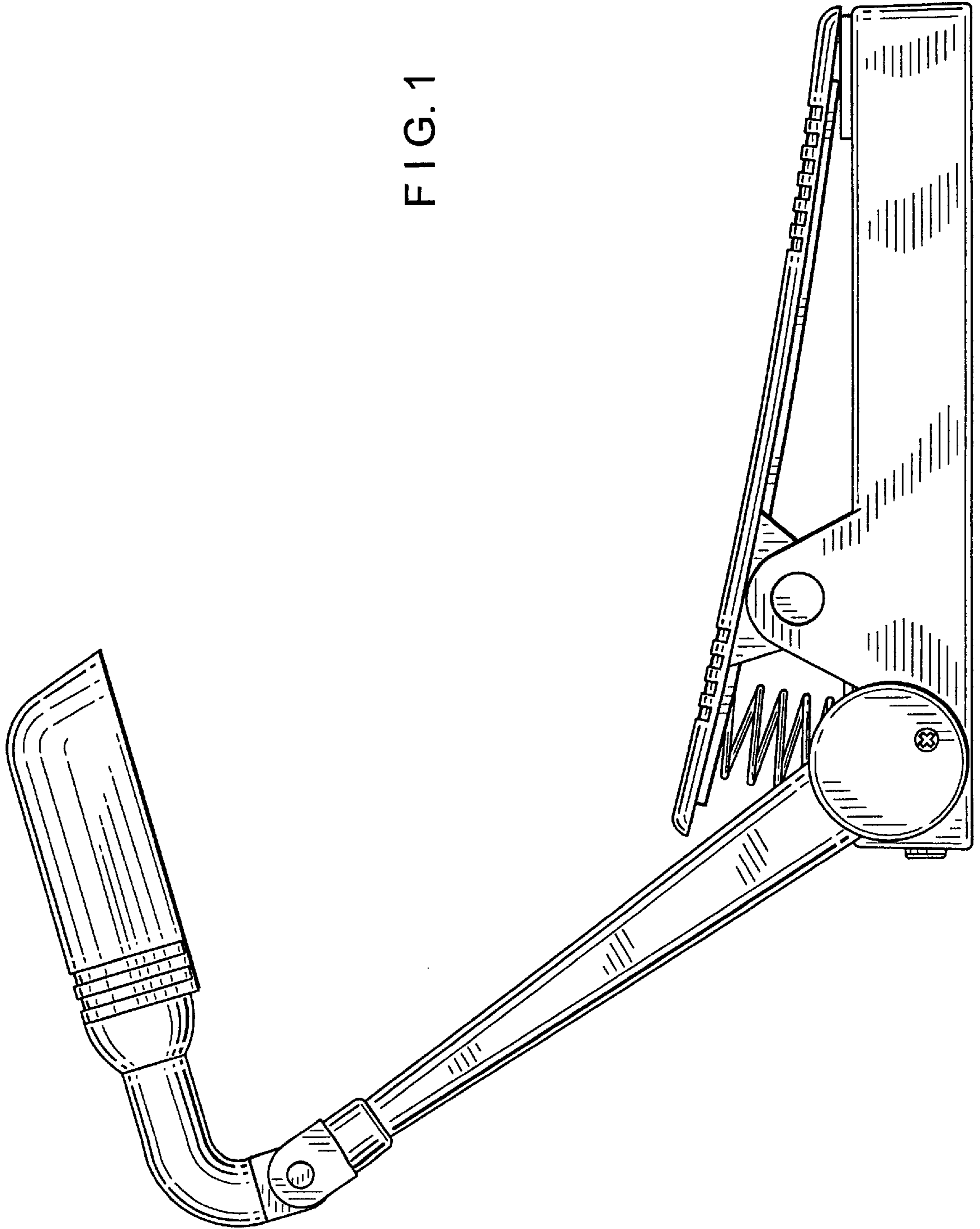


FIG. 1



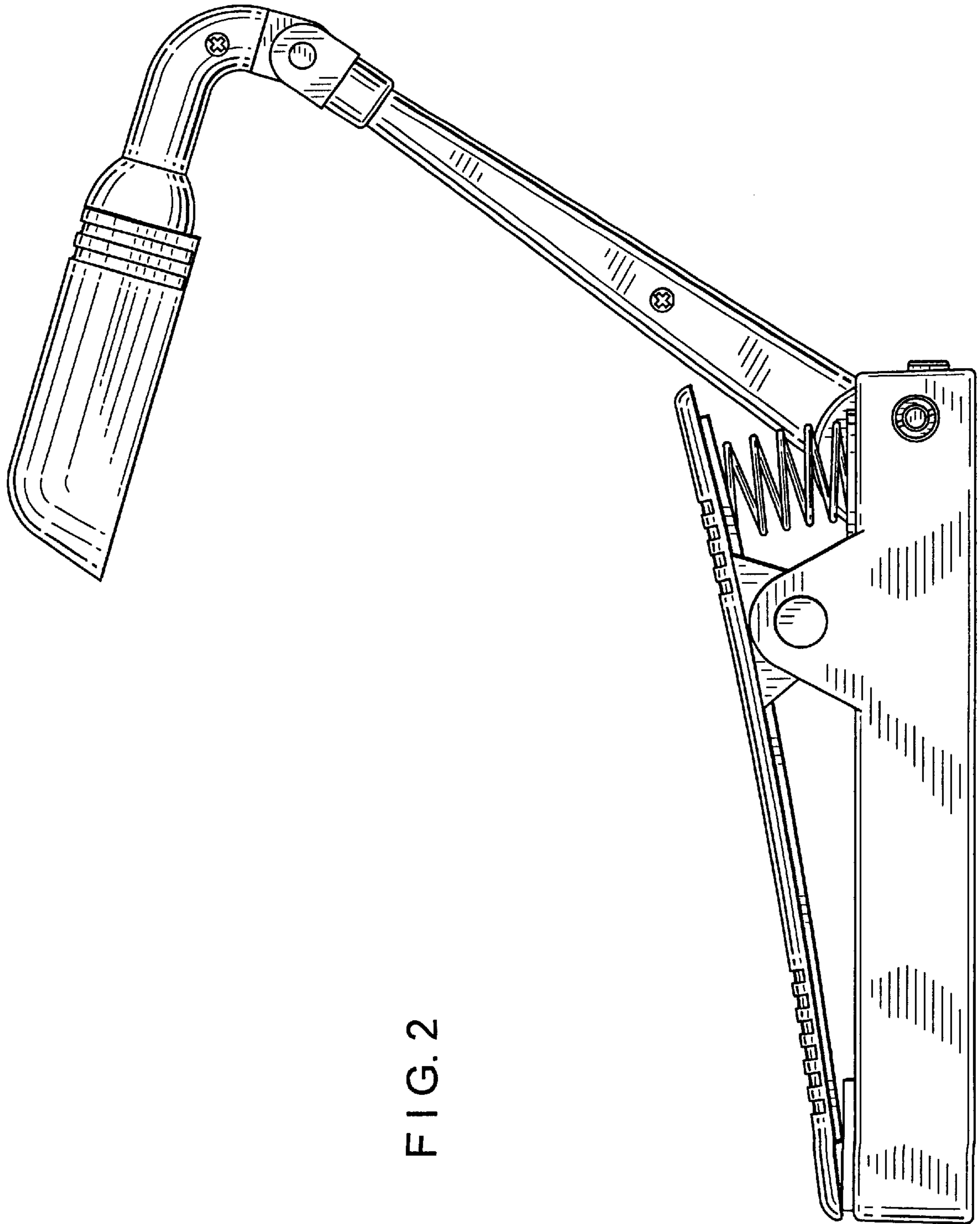


FIG. 2

FIG. 3

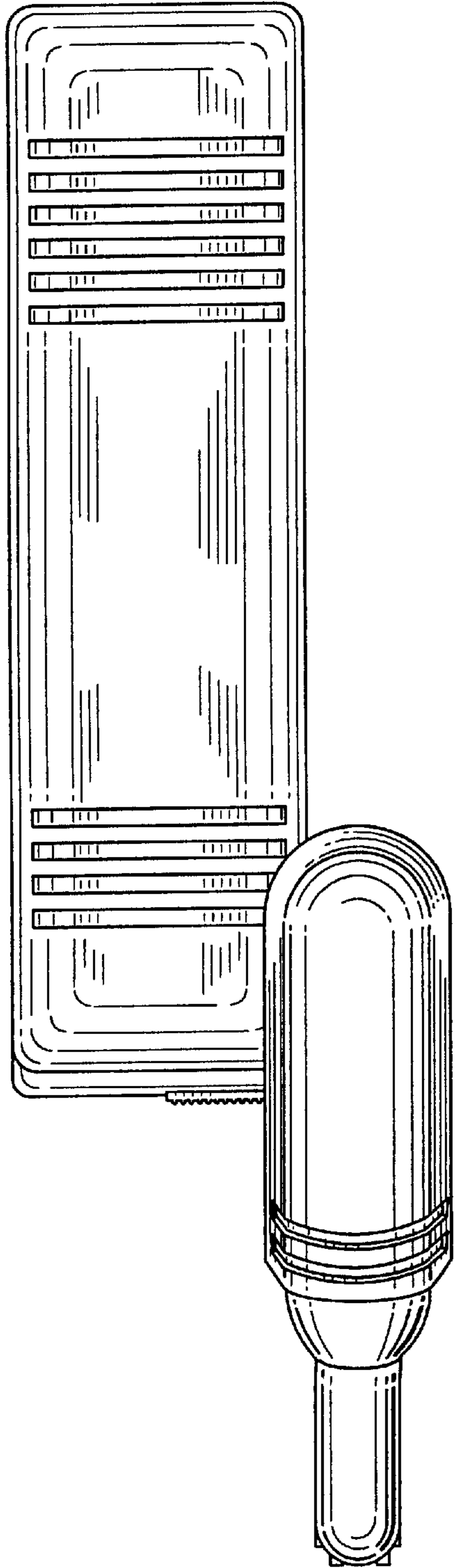


FIG. 4

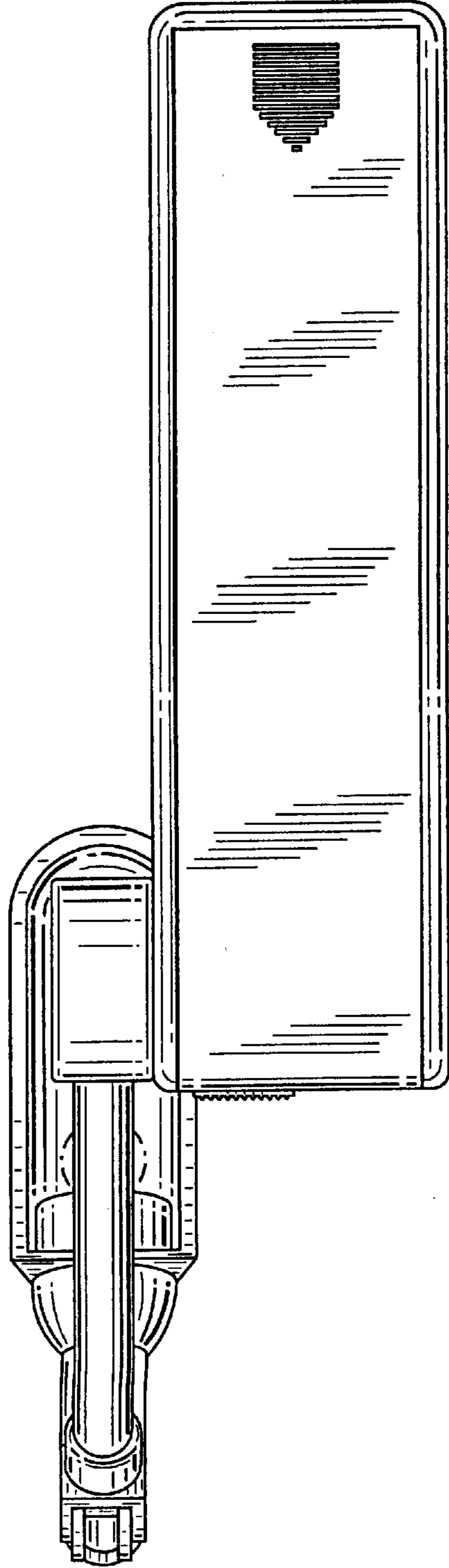


FIG. 6

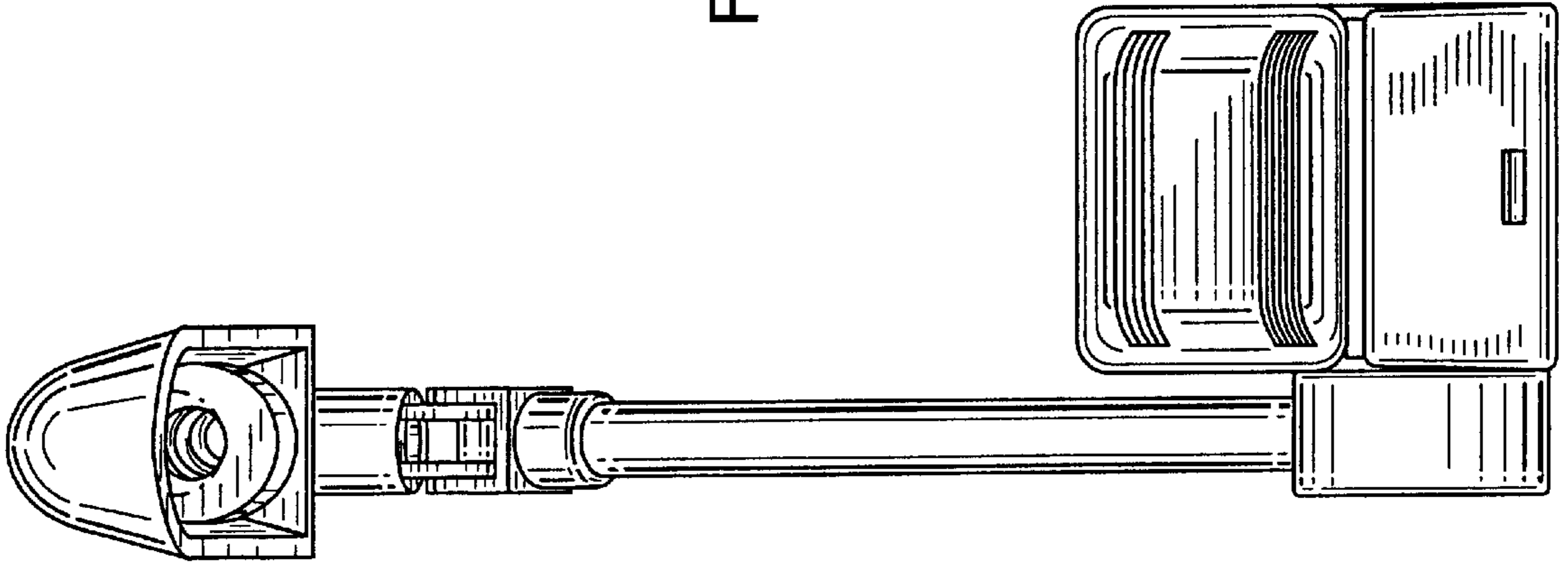


FIG. 5

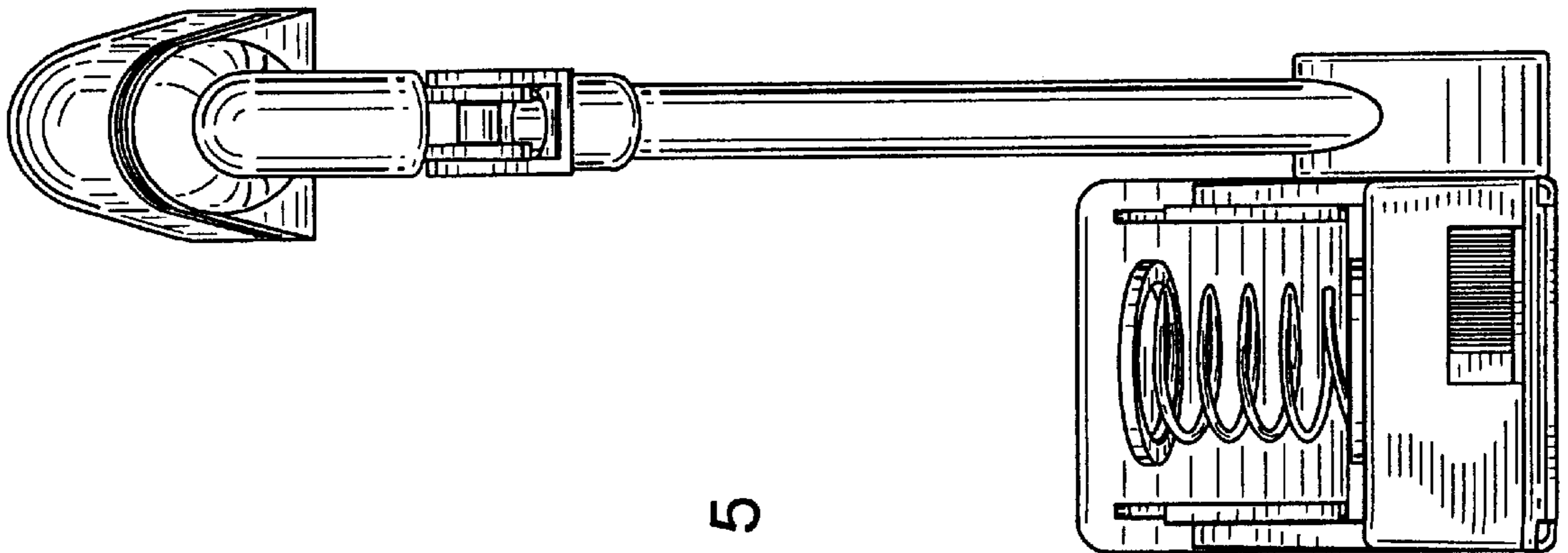


FIG. 7

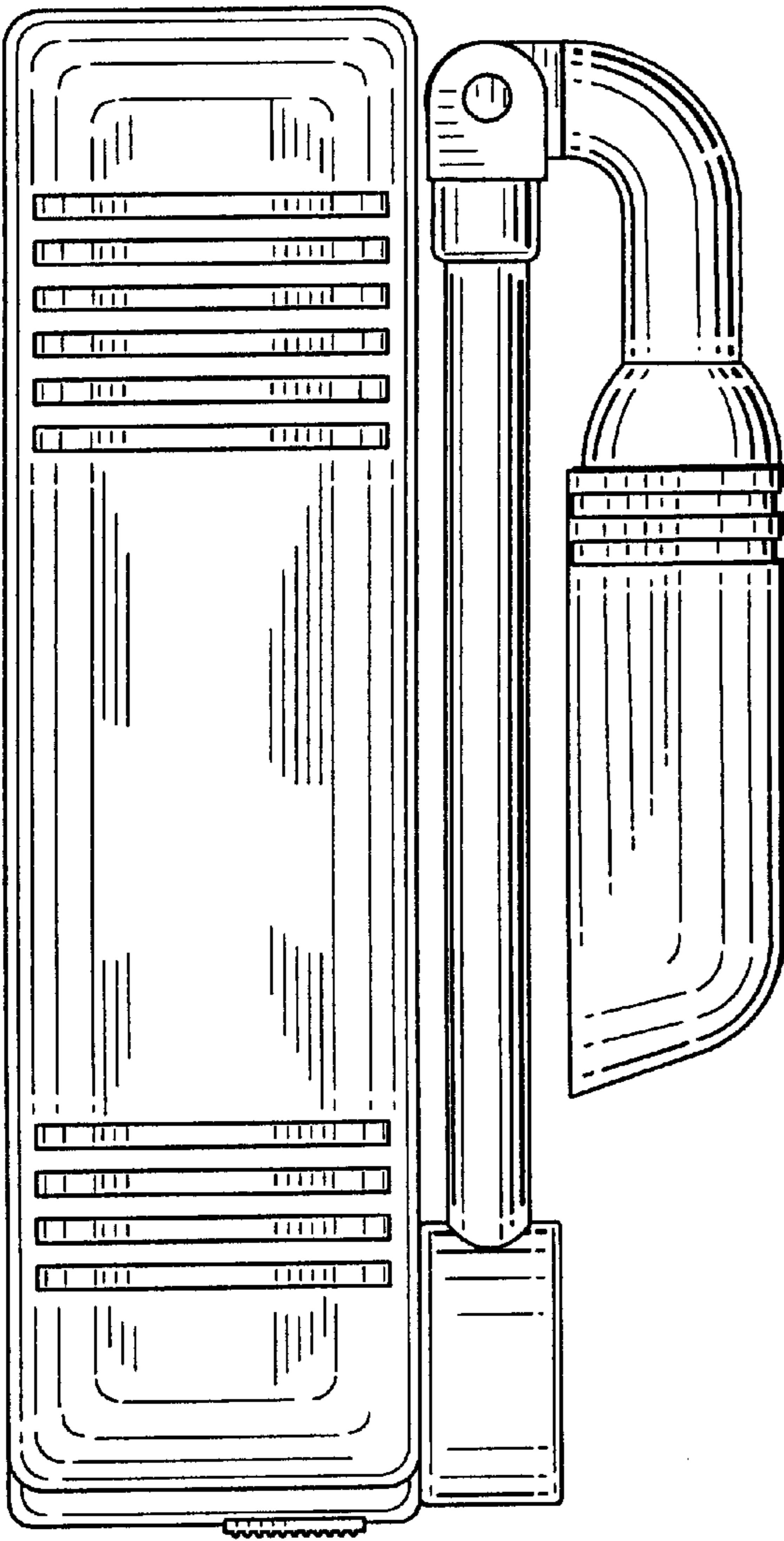


FIG. 8

