



US00D427702S

United States Patent [19]

Sharrah et al.

[11] **Patent Number: Des. 427,702**

[45] **Date of Patent: ** Jul. 4, 2000**

[54] **FLASHLIGHT**

[75] Inventors: **Raymond L. Sharrah**, Collegeville;
John C. DiNenna, Bridgeport, both of Pa.

[73] Assignee: **Streamlight, Inc.**, Norristown, Pa.

[**] Term: **14 Years**

[21] Appl. No.: **29/113,415**

[22] Filed: **Nov. 4, 1999**

[51] **LOC (7) Cl.** **26-02**

[52] **U.S. Cl.** **D26/49**

[58] **Field of Search** D26/37-50; 362/157,
362/158, 183-208

[56] **References Cited**

U.S. PATENT DOCUMENTS

| | | | | |
|------------|---------|--------------|-------|--------|
| D. 331,118 | 11/1992 | Yeung | | D26/49 |
| D. 368,318 | 3/1996 | Furth et al. | | D26/49 |
| D. 395,719 | 6/1998 | Concari | | D26/49 |
| D. 407,513 | 3/1999 | Zung | | D26/49 |

Primary Examiner—Marcus A. Jackson
Attorney, Agent, or Firm—Dann, Dorfman, Herrell and Skillman, P.C.

[57] **CLAIM**

The ornamental design for a flashlight, as shown and described.

DESCRIPTION

FIG. 1 is a perspective view of a flashlight design according to the present invention;

FIG. 2 is a side view of the flashlight of FIG. 1;

FIG. 3 is a top view of the flashlight of FIG. 1;

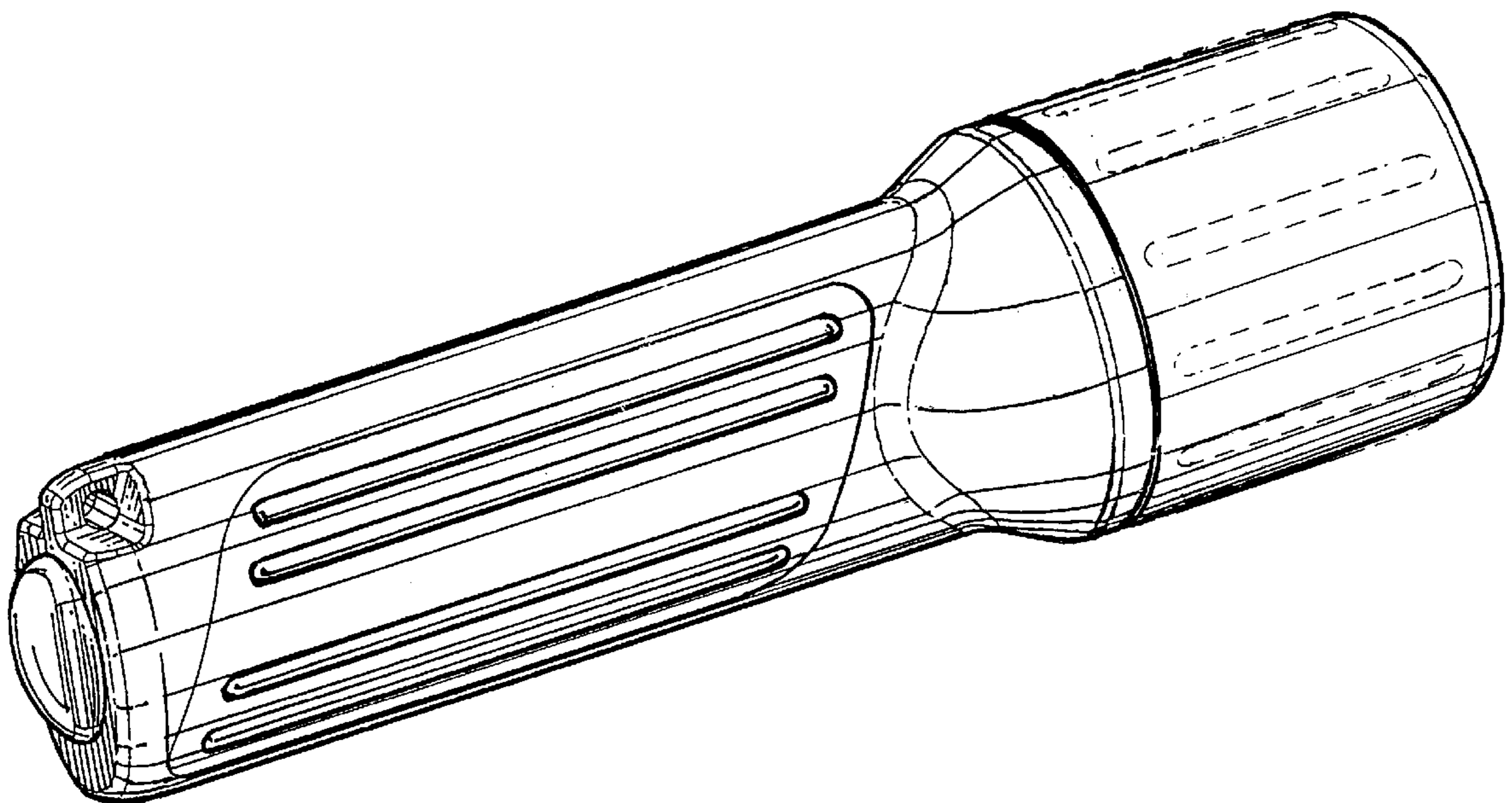
FIG. 4 is a bottom view of the flashlight of FIG. 1;

FIG. 5 is an end view of a rear end of the flashlight of FIG. 1; and,

FIG. 6 is an end view of a front end of the flashlight of FIG. 1.

Broken lines in the illustrations of FIGS. 1-12 of the drawing indicate parts of the article that are not part of the design sought to be patented.

1 Claim, 6 Drawing Sheets



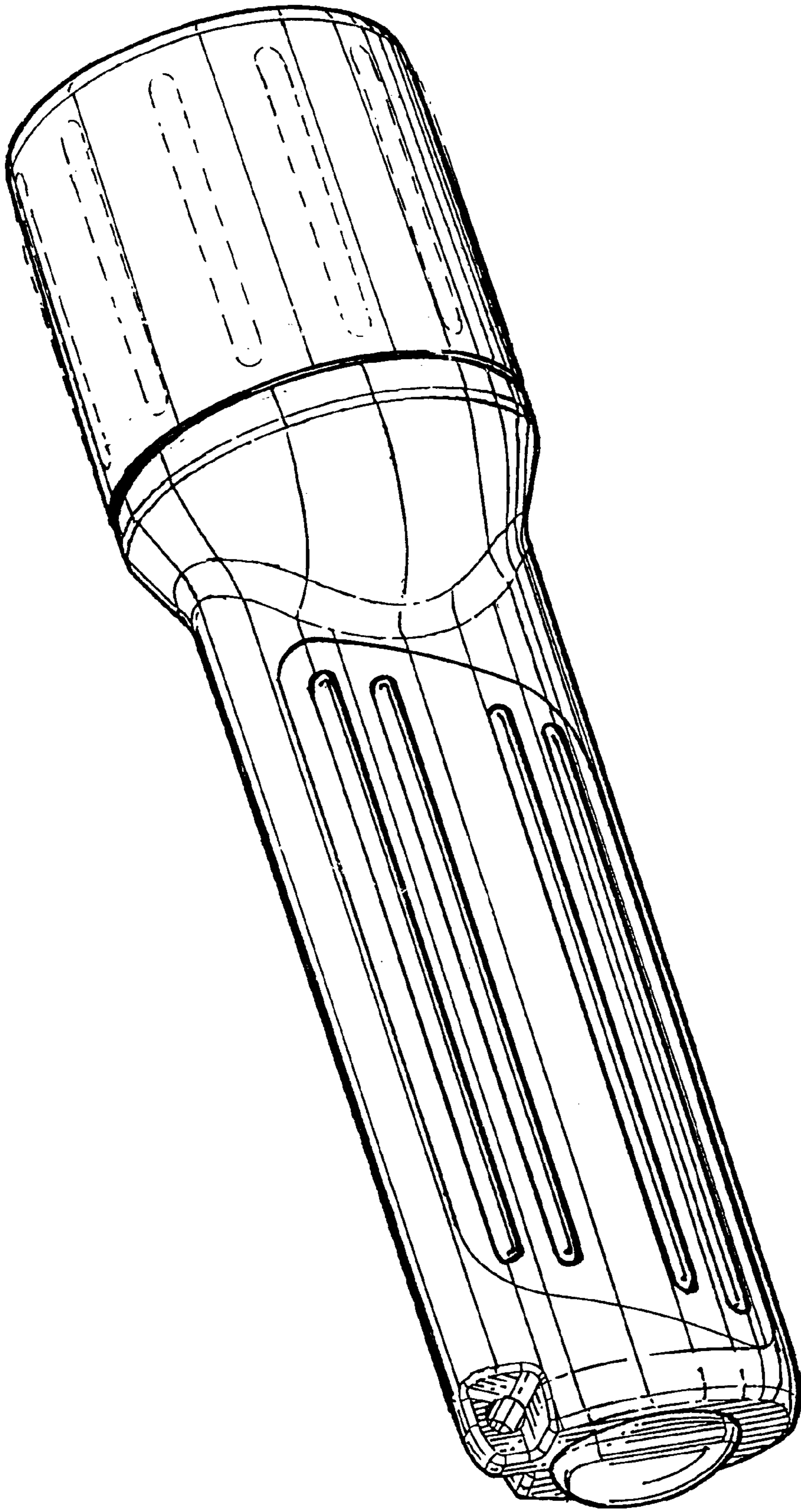


FIG. 1

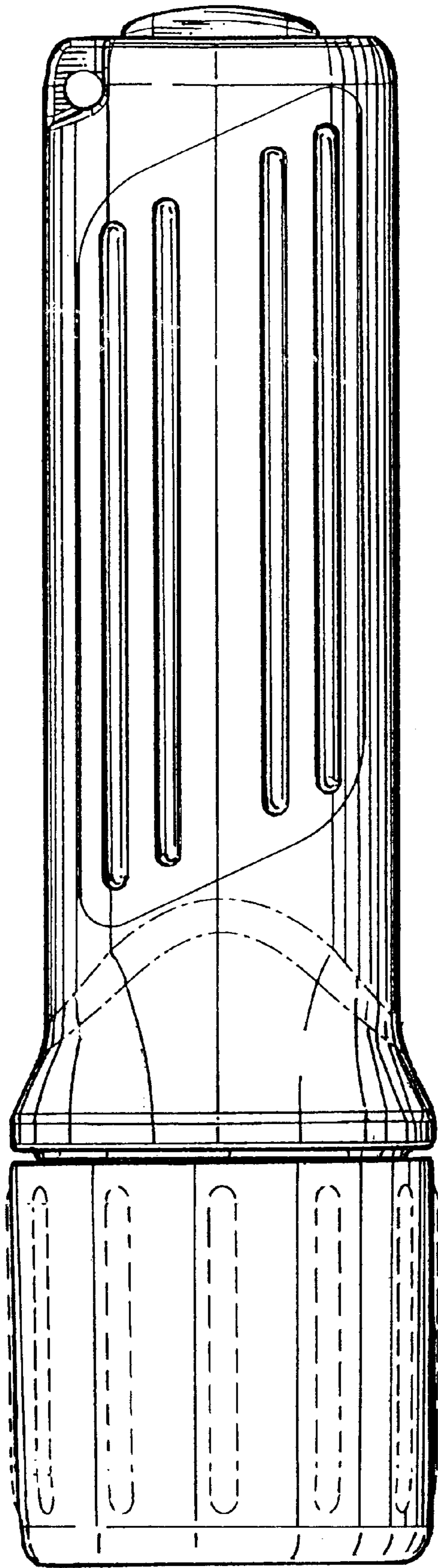


FIG. 2

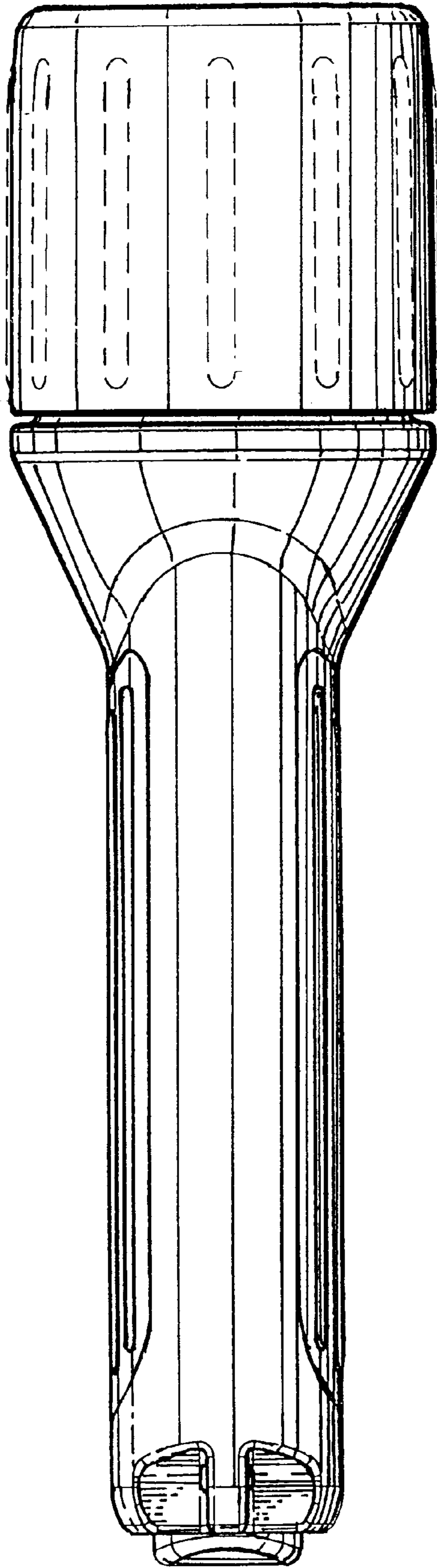


FIG. 3

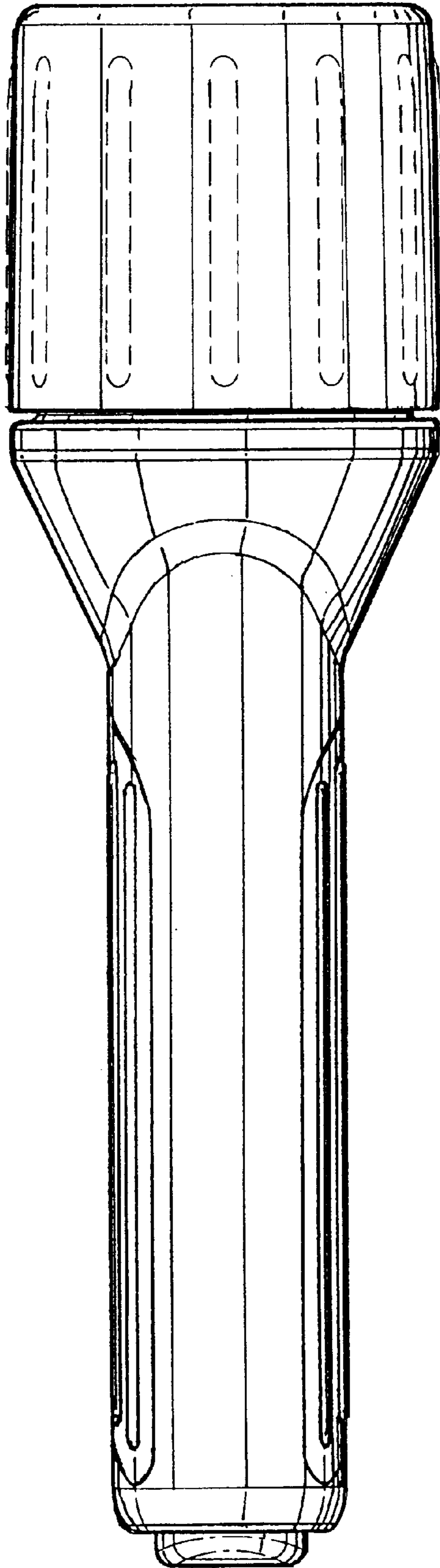


FIG. 4

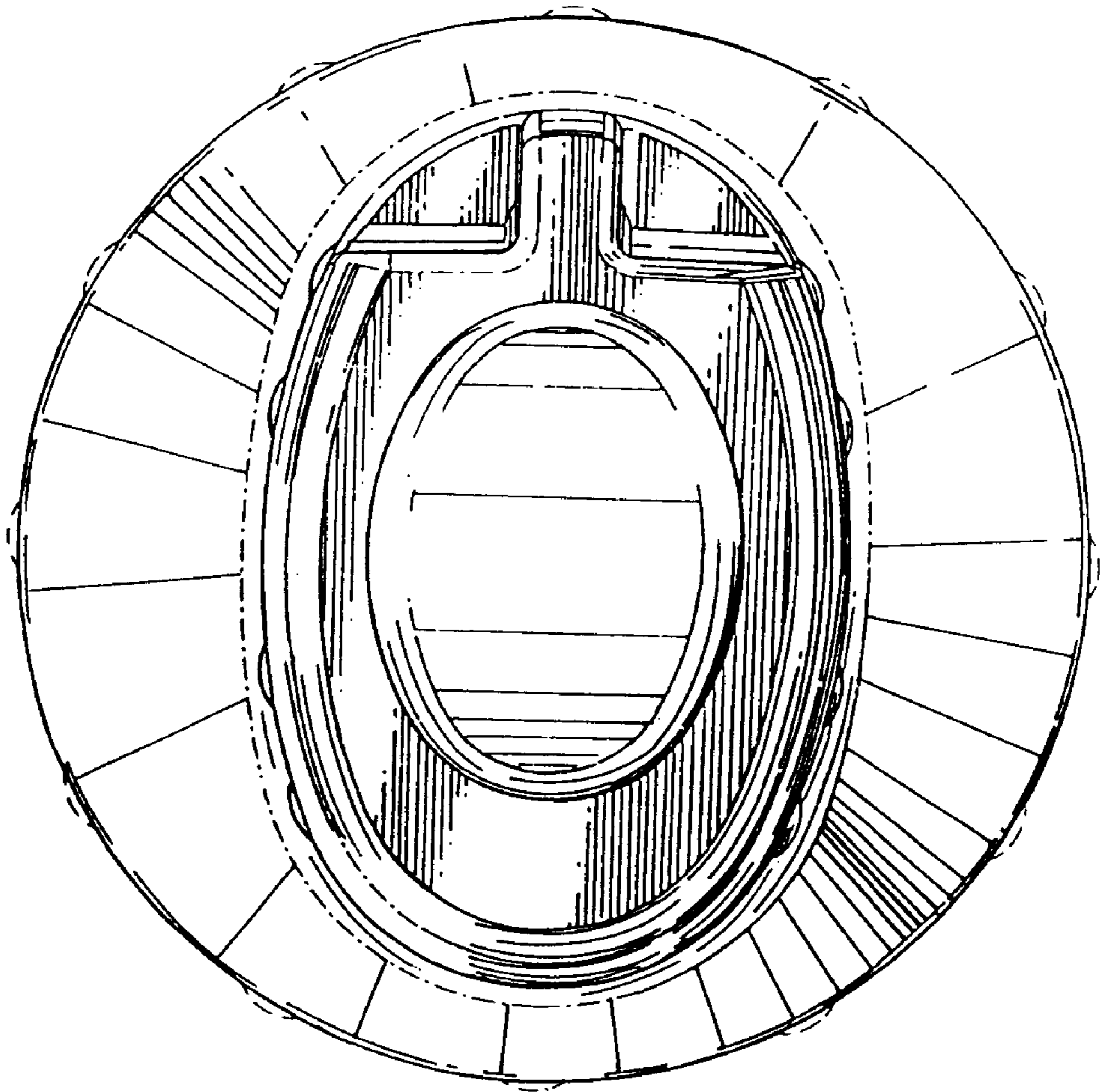


FIG. 5

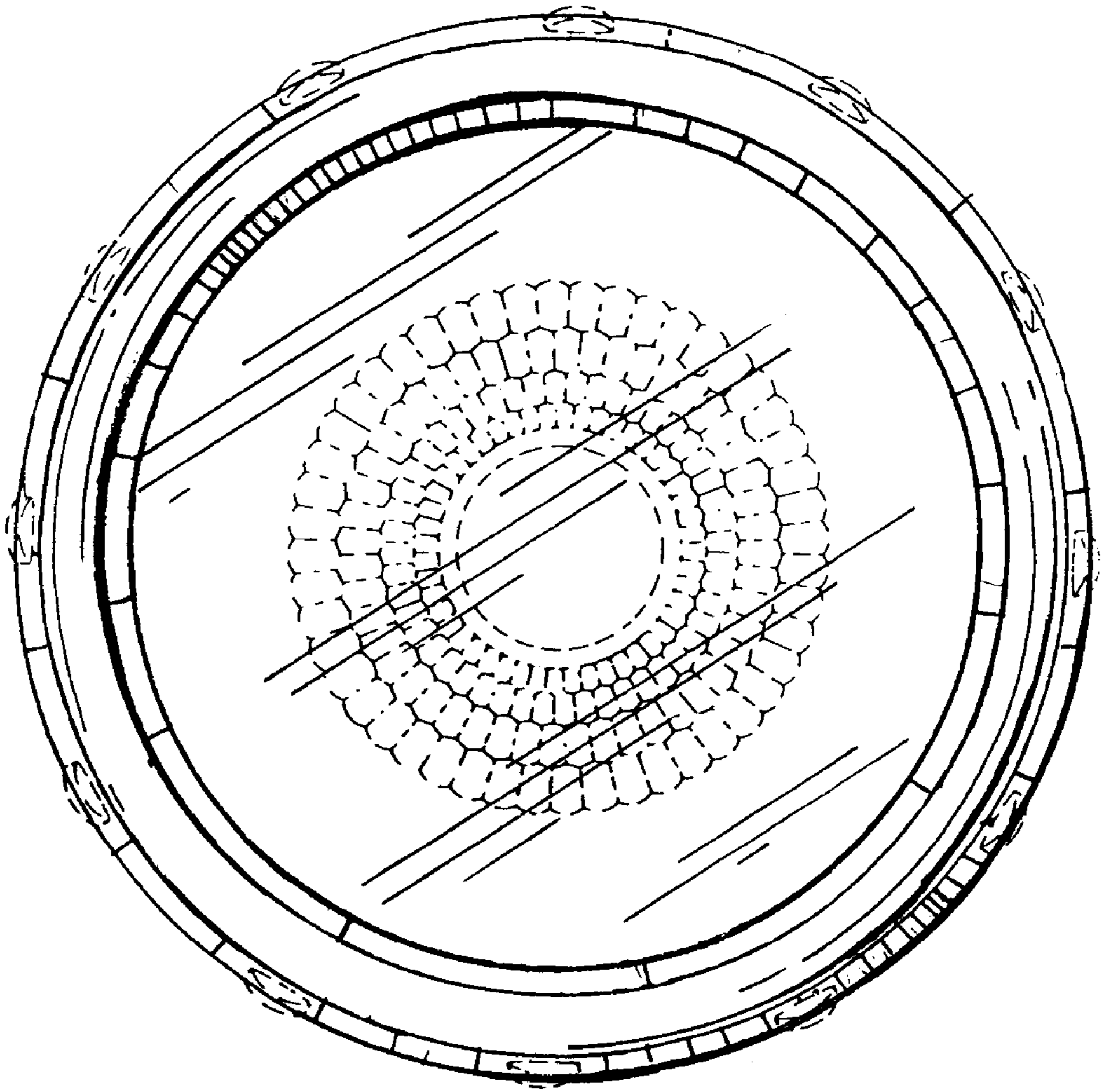


FIG. 6