



US00D427701S

United States Patent [19] Winkler

[11] **Patent Number: Des. 427,701**
[45] **Date of Patent: ** Jul. 4, 2000**

[54] **FLASHLIGHT SLEEVE**

[75] Inventor: **Bruce L. Winkler**, Madison, Wis.

[73] Assignee: **Rayovac Corporation**, Madison, Wis.

[**] Term: **14 Years**

[21] Appl. No.: **29/107,770**

[22] Filed: **Jul. 13, 1999**

Related U.S. Application Data

[63] Continuation-in-part of application No. 09/328,147, Jun. 8, 1999.

[51] **LOC (7) Cl. 26-02**

[52] **U.S. Cl. D26/49**

[58] **Field of Search D26/37-50; 362/157, 362/158, 183-208**

[56] References Cited

U.S. PATENT DOCUMENTS

D. 139,441	11/1944	Lippincott .	
D. 274,561	7/1984	Stansbury, Jr. et al. .	
D. 322,138	12/1991	Davies	D26/49
D. 336,966	6/1993	Yau	D26/49
D. 371,214	6/1996	Terry, Sr. .	
D. 407,514	3/1999	Yuen	D26/49
1,345,505	7/1920	Persons .	
1,356,572	10/1920	Vosburgh .	
2,282,419	5/1942	Hall .	
2,427,017	9/1947	Miller .	
2,483,820	10/1949	Falge .	
3,796,869	3/1974	Stone .	
4,122,510	10/1978	Halliday, Jr. .	
4,242,724	12/1980	Stone .	
4,345,890	8/1982	Kaminstein .	
4,415,954	11/1983	Schaefer .	
4,939,626	7/1990	Hohenstein .	
5,016,148	5/1991	Kohm .	
5,345,368	9/1994	Huff .	
5,611,533	3/1997	Williams .	
5,741,062	4/1998	Man .	

Primary Examiner—Marcus A. Jackson
Attorney, Agent, or Firm—Quarles & Brady LLP

[57] CLAIM

The ornamental design for a flashlight sleeve, as shown and described.

DESCRIPTION

FIG. 1 is an isometric view of the flashlight sleeve of this invention, with a flashlight to which the flashlight sleeve is mounted being shown as environmental matter, the flashlight itself forming no part of the claimed design;

FIG. 2 is a top plan view thereof;

FIG. 3 is a left side elevational view, the right side being a mirror image thereof;

FIG. 4 is a bottom plan view thereof; and

FIG. 5 is a front view thereof, the rear view being identical thereto;

FIG. 6 is an isometric view of an alternative embodiment of the flashlight sleeve of this invention, with a flashlight to which the flashlight sleeve is mounted being shown as environmental matter, the flashlight itself forming no part of the claimed design;

FIG. 7 is a top plan view thereof;

FIG. 8 is a left side elevational view, the right side being a mirror image thereof;

FIG. 9 is a bottom plan view thereof; and

FIG. 10 is a front view thereof, the rear view being identical thereto;

FIG. 11 is an isometric view of an another alternative embodiment of the flashlight sleeve of this invention, with a flashlight to which the flashlight sleeve is mounted being shown as environmental matter, the flashlight itself forming no part of the claimed design;

FIG. 12 is a top plan view thereof;

FIG. 13 is a left side elevational view, the right side being a mirror image thereof;

FIG. 14 is a bottom plan view thereof; and

FIG. 15 is a front view thereof, the rear view being identical thereto;

FIG. 16 is an isometric view of an yet another alternative embodiment of the flashlight sleeve of this invention, with a flashlight to which the flashlight sleeve is mounted being shown as environmental matter, the flashlight itself forming no part of the claimed design;

FIG. 17 is a top plan view thereof;

FIG. 18 is a left side elevational view, the right side being a mirror image thereof;

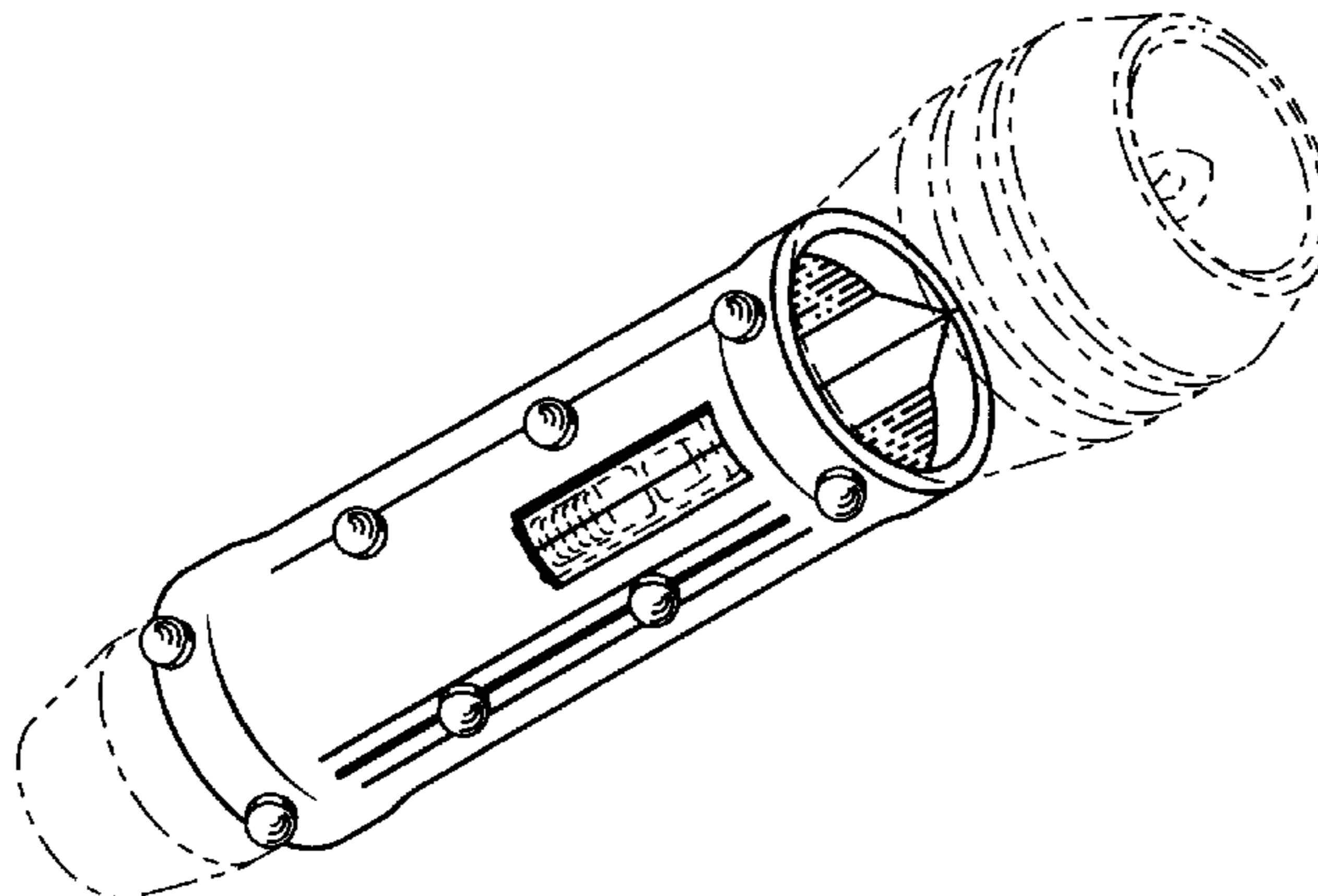


FIG. 19 is a bottom plan view thereof; and
FIG. 20 is a front view thereof, the rear view being identical thereto;
FIG. 21 is an isometric view of still another alternative embodiment of the flashlight sleeve of this invention, with a flashlight to which the flashlight sleeve is mounted being shown as environmental matter, the flashlight itself forming no part of the claimed design;

FIG. 22 is a top plan view thereof;
FIG. 23 is a left side elevational view, the right side being a mirror image thereof;
FIG. 24 is a bottom plan view thereof; and,
FIG. 25 is a front view thereof, the rear view being identical thereto.

1 Claim, 5 Drawing Sheets

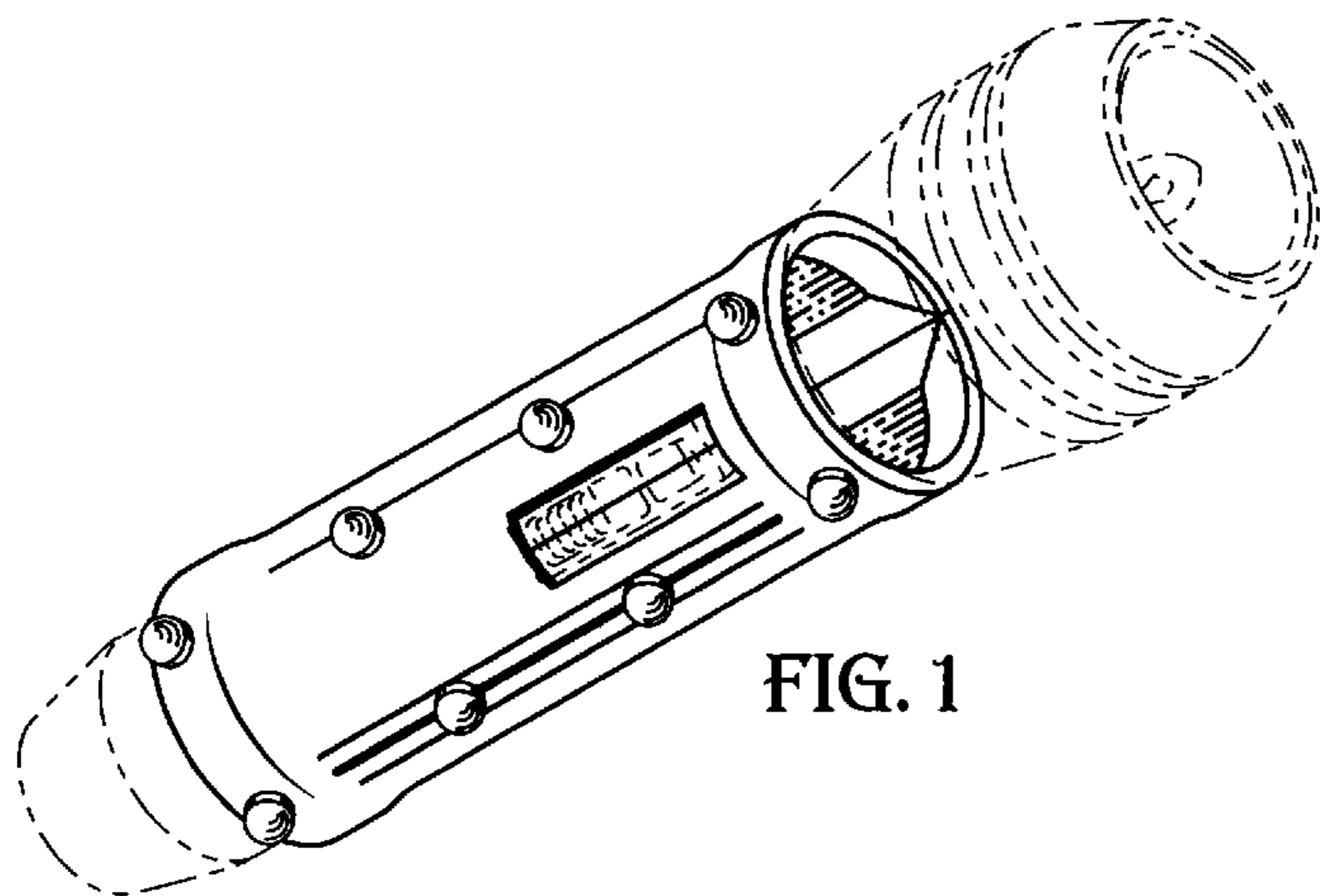


FIG. 1

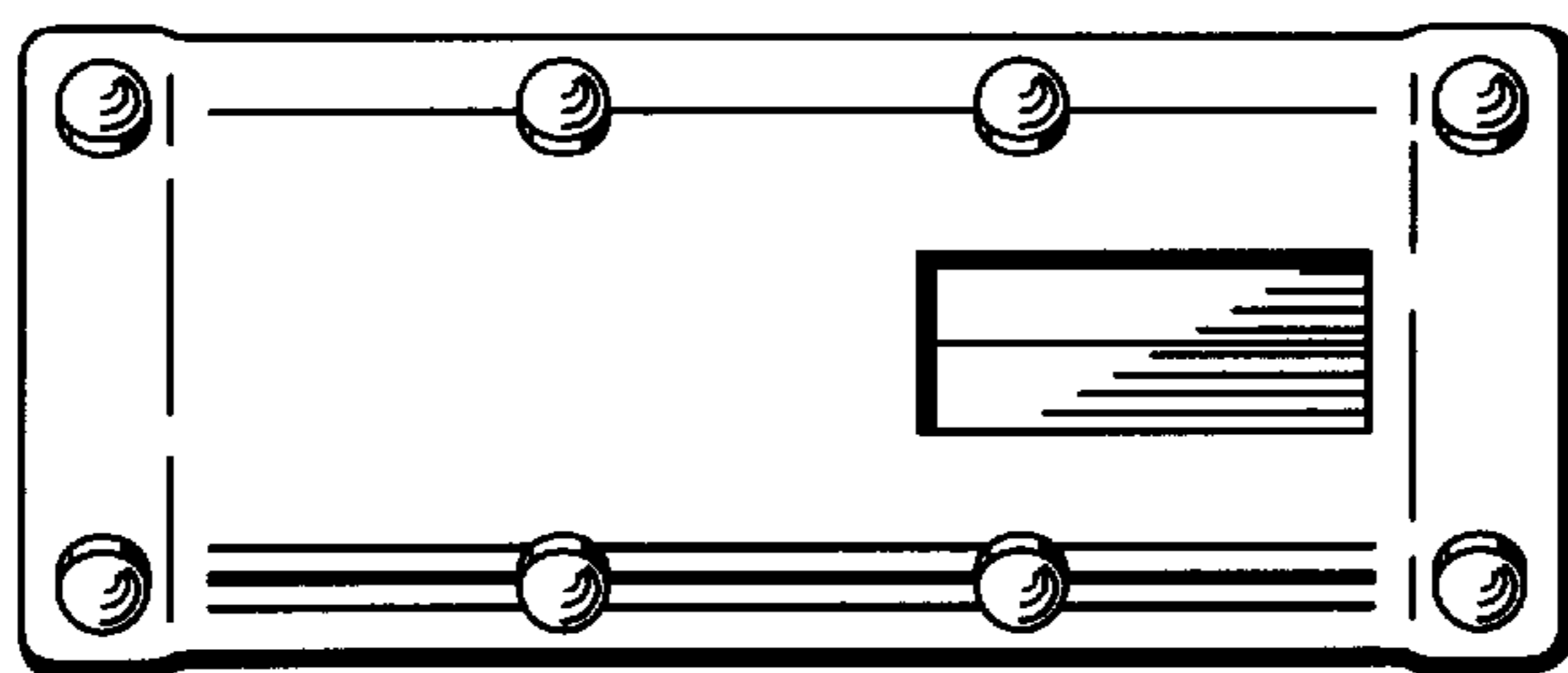


FIG. 2

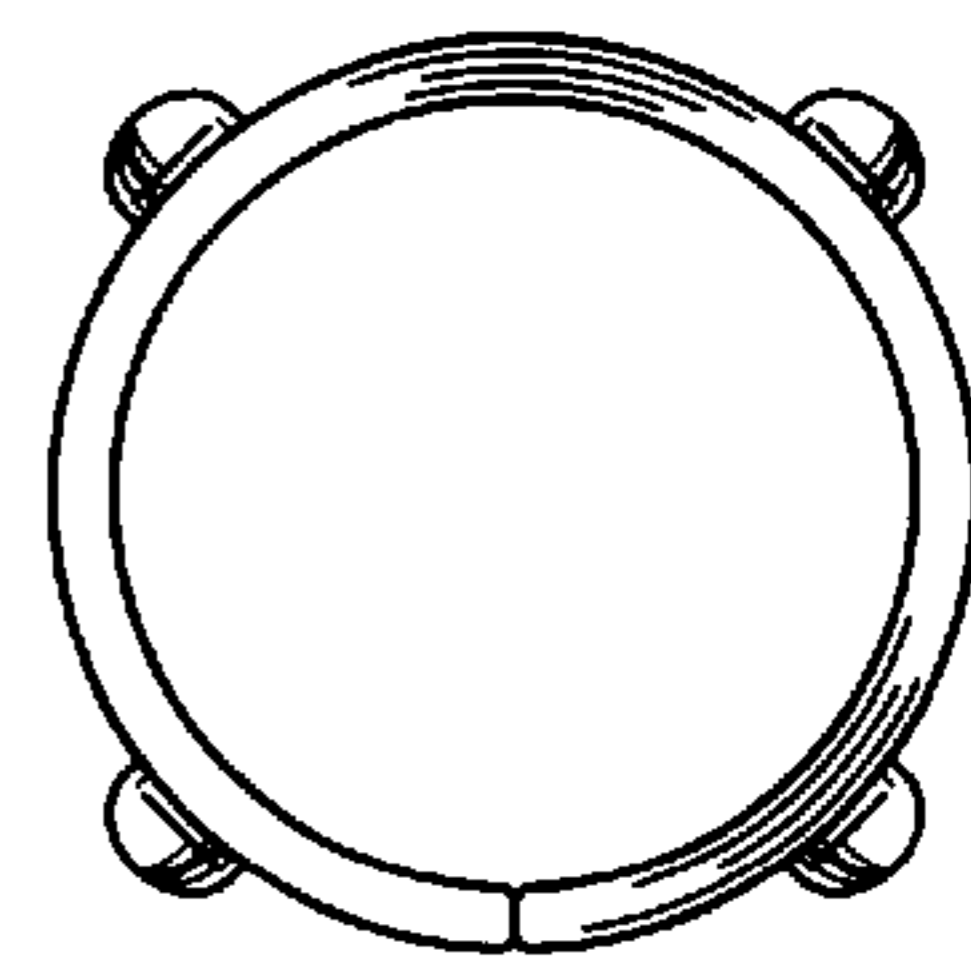


FIG. 5

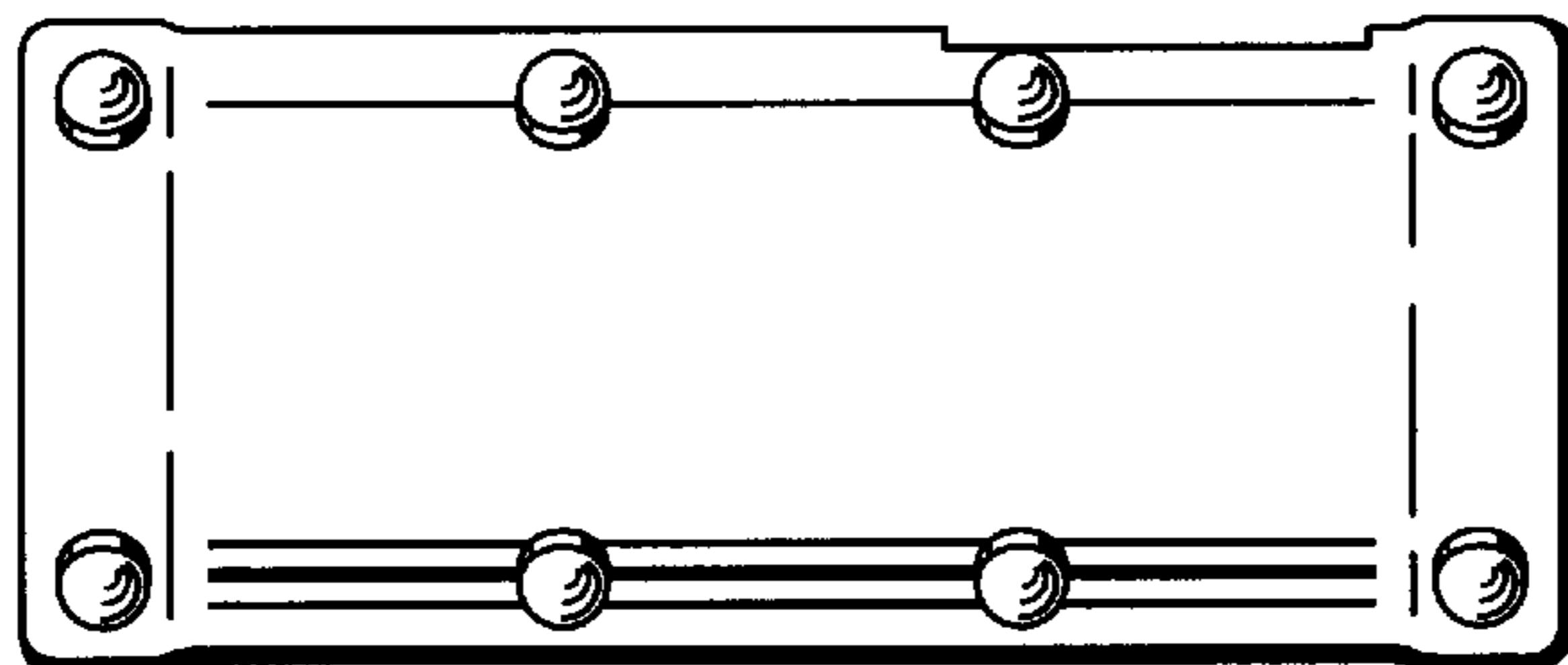


FIG. 3

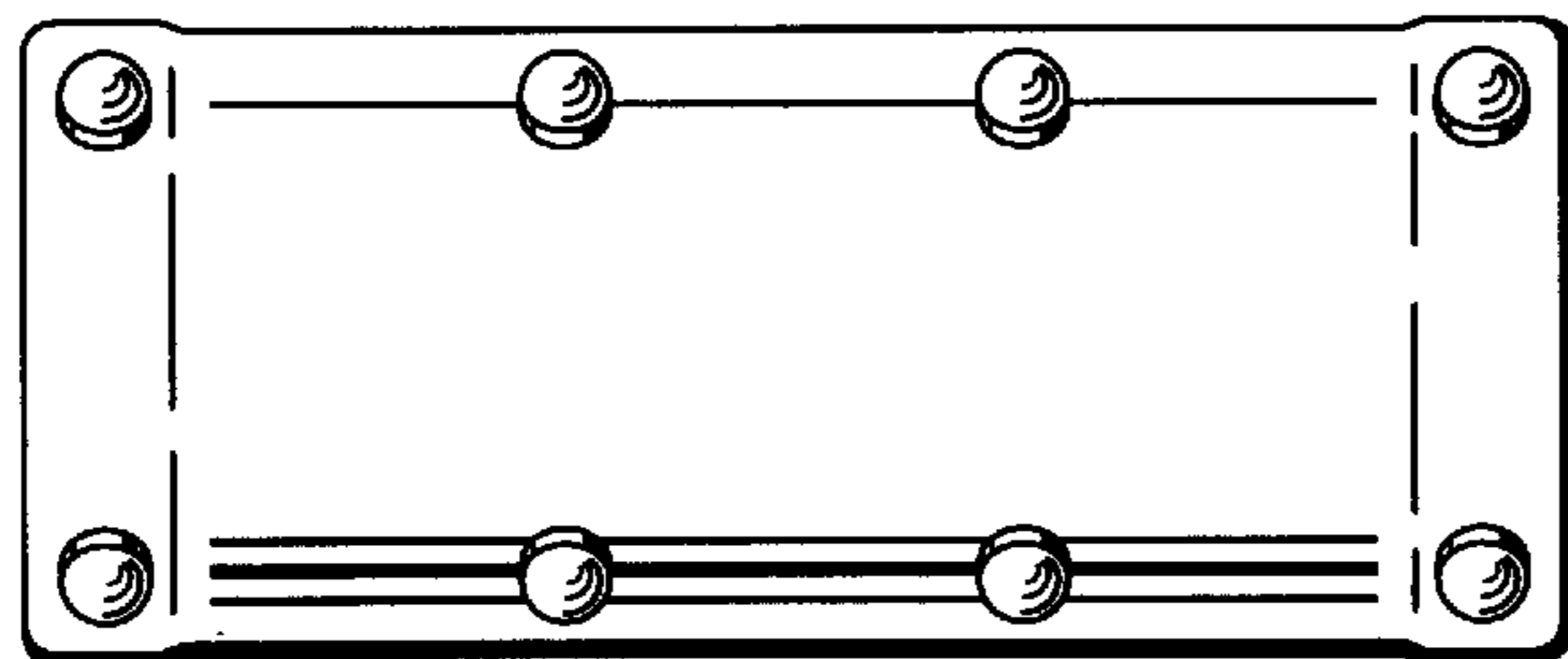


FIG. 4

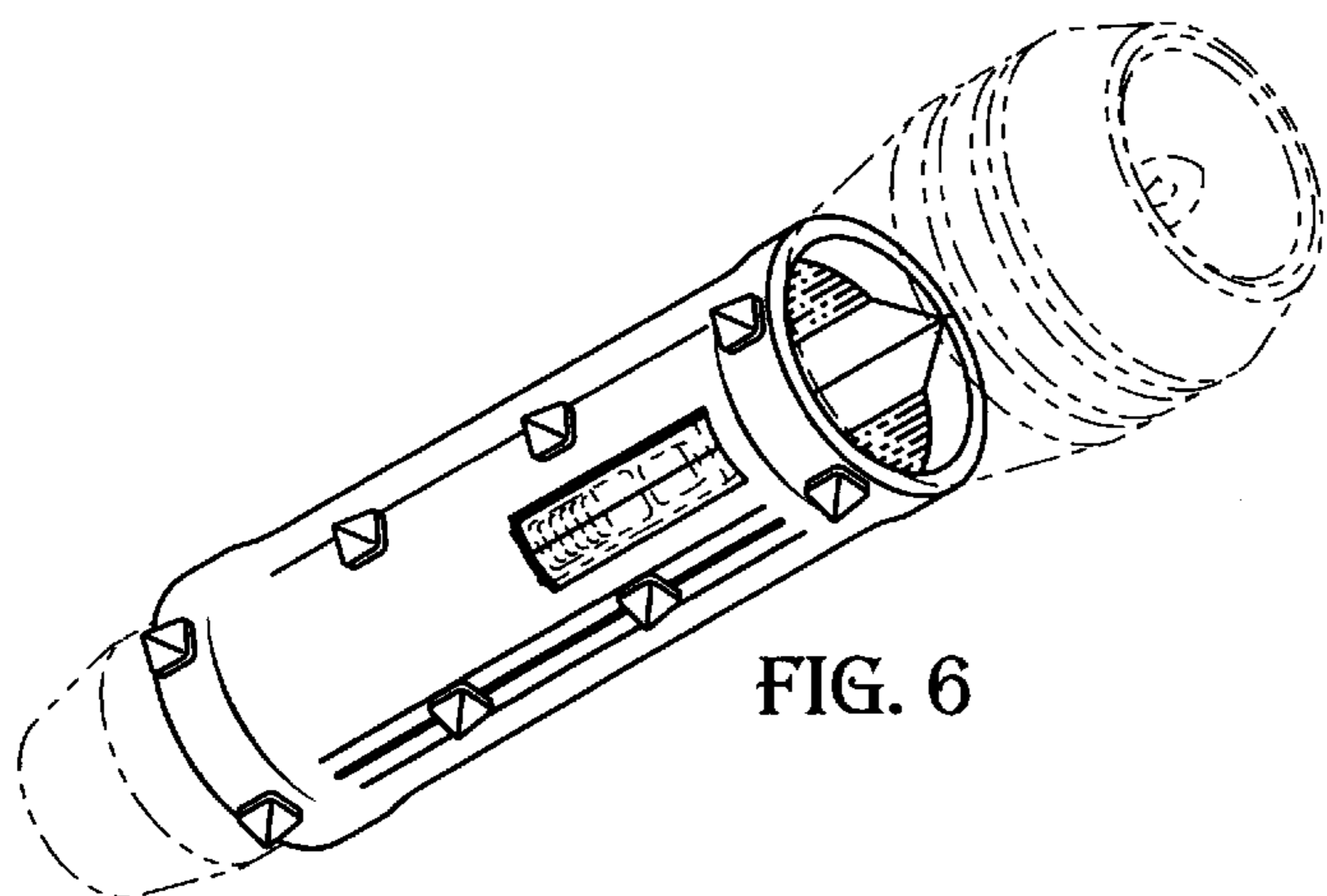


FIG. 6

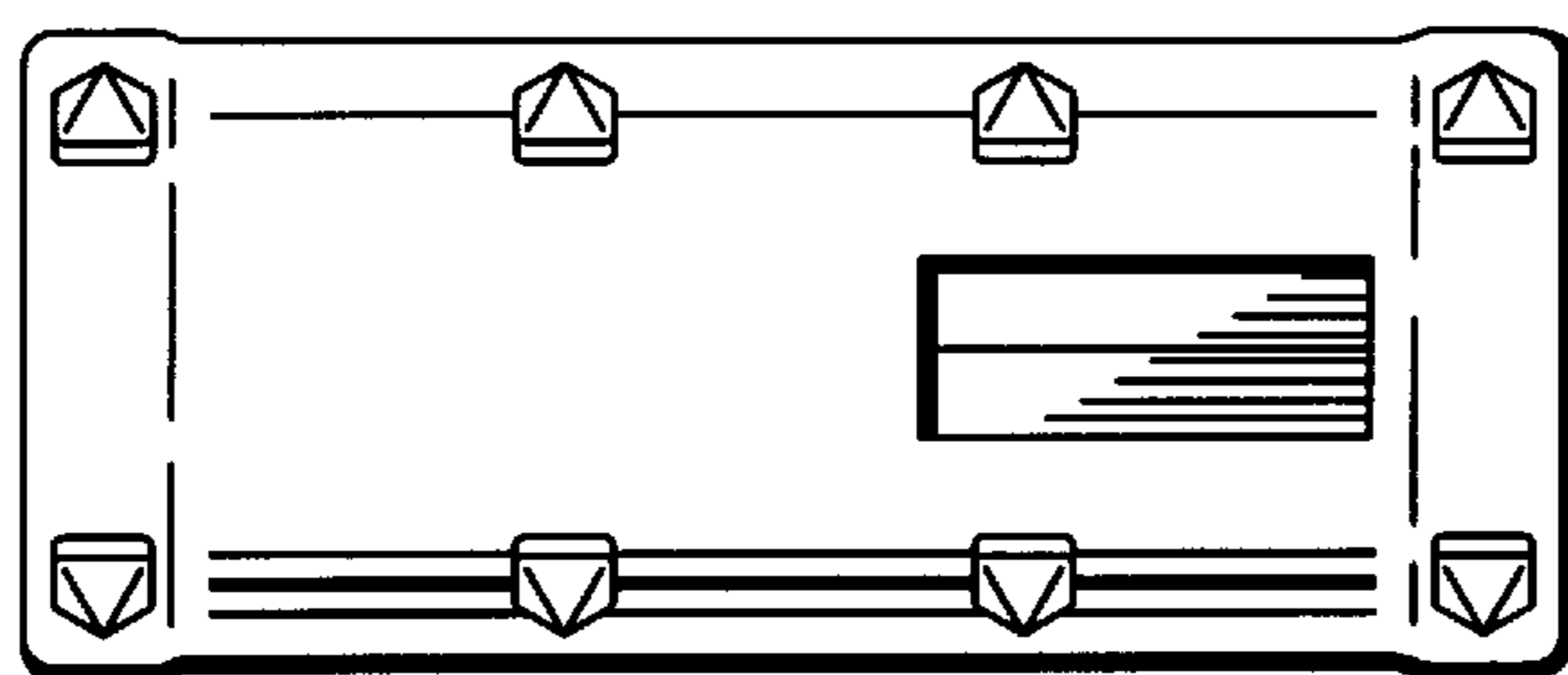


FIG. 7

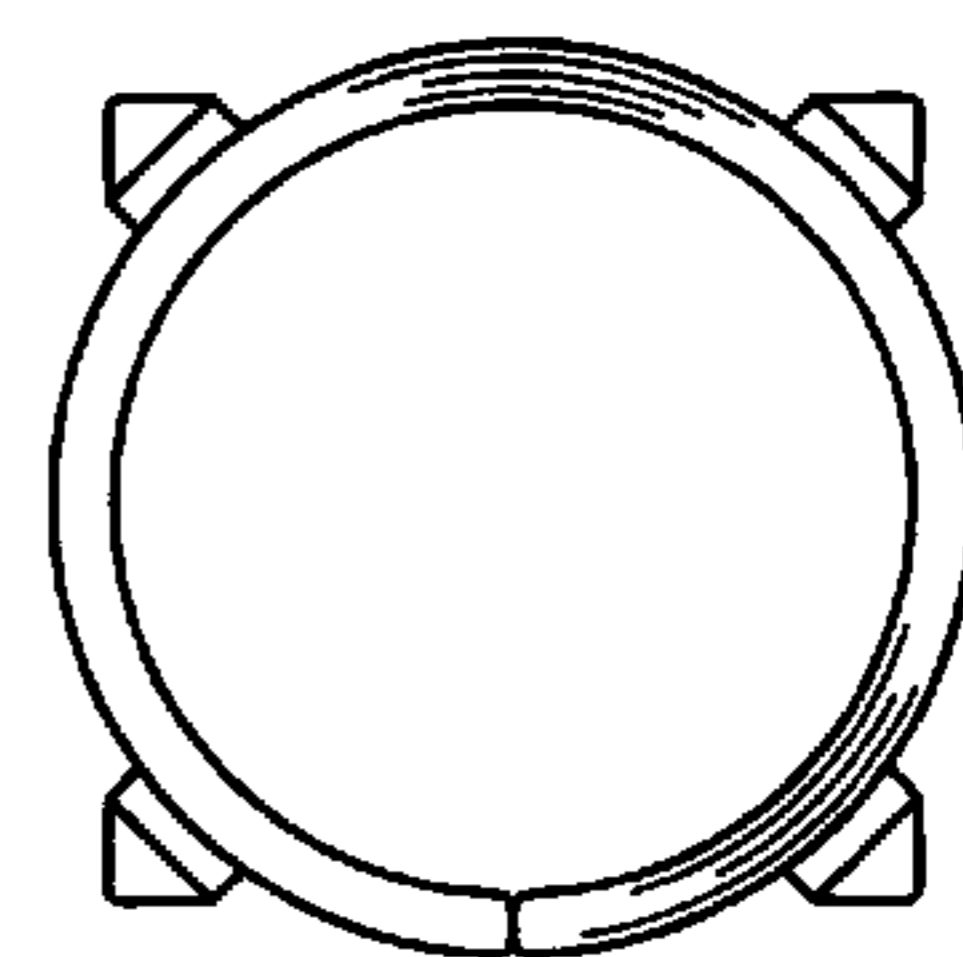


FIG. 10

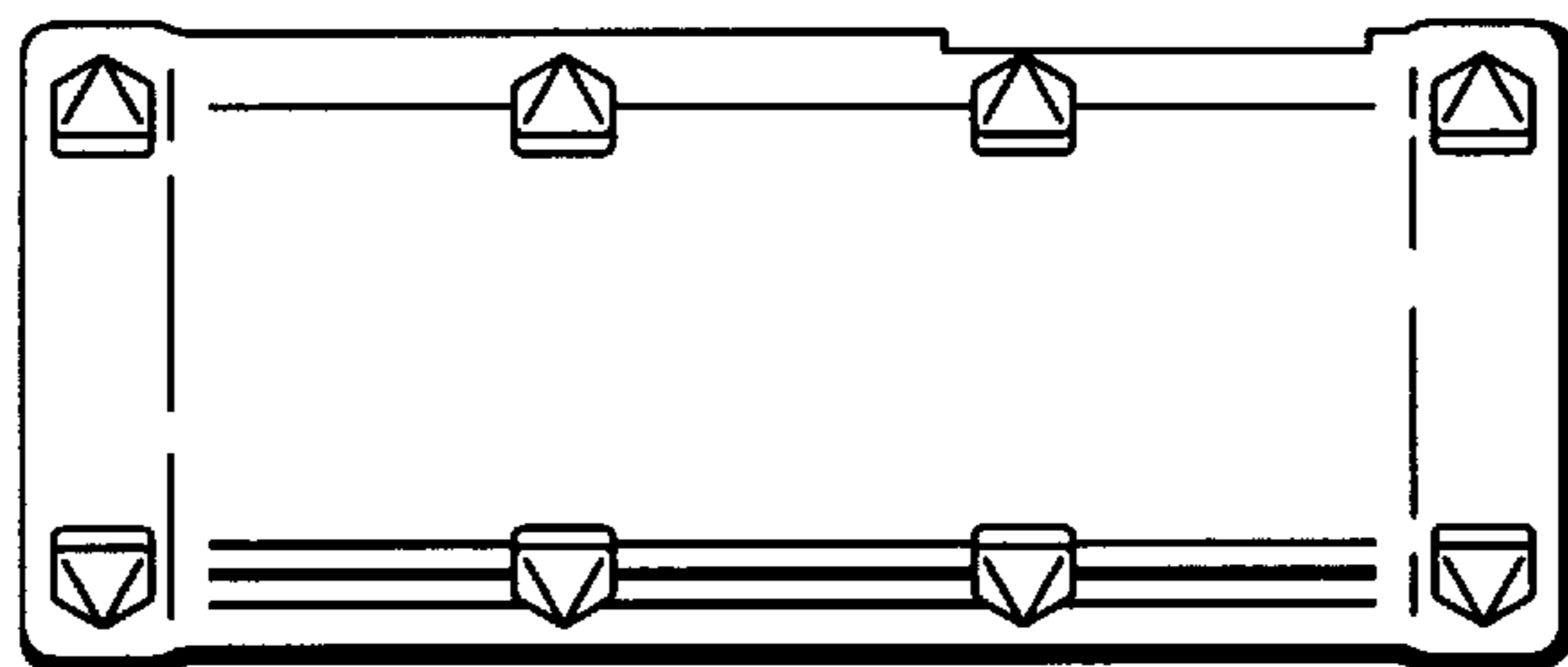


FIG. 8

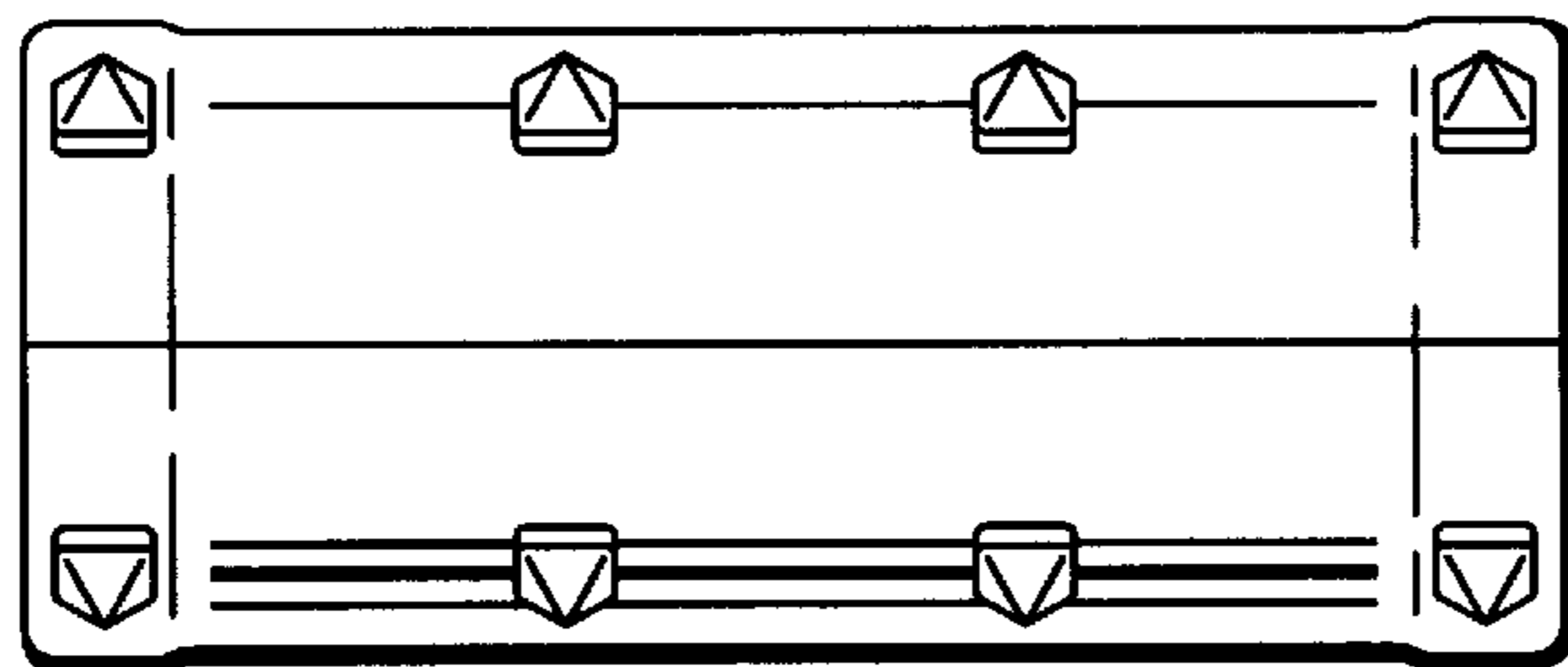


FIG. 9

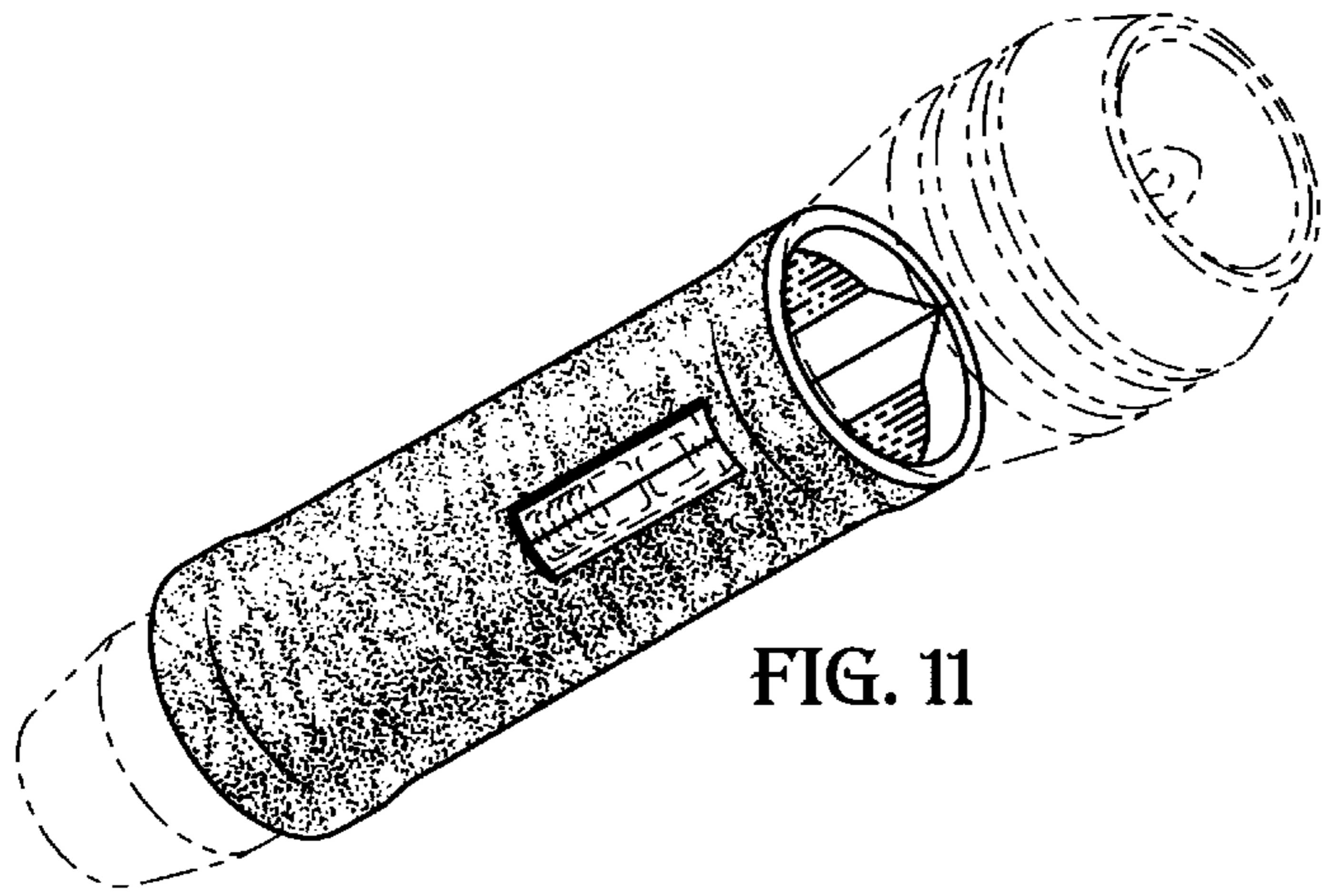


FIG. 11

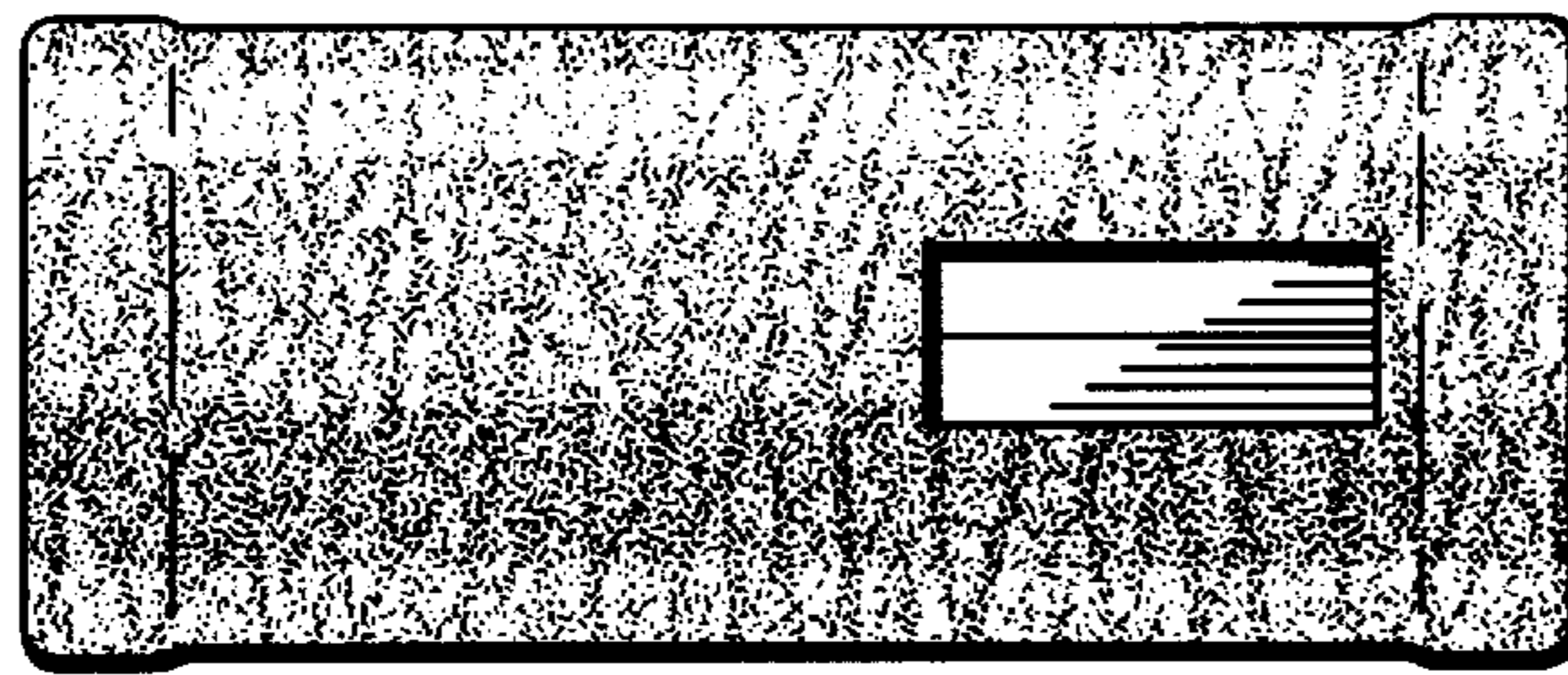


FIG. 12

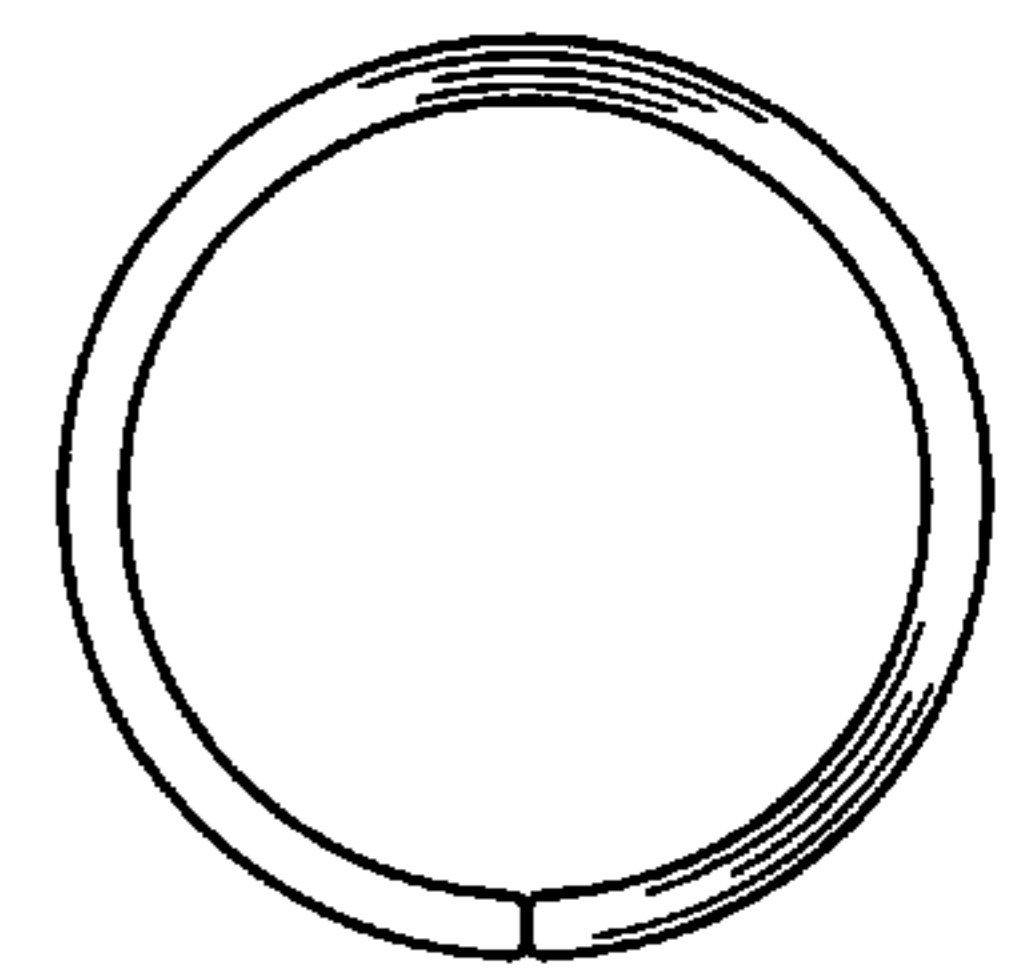


FIG. 15

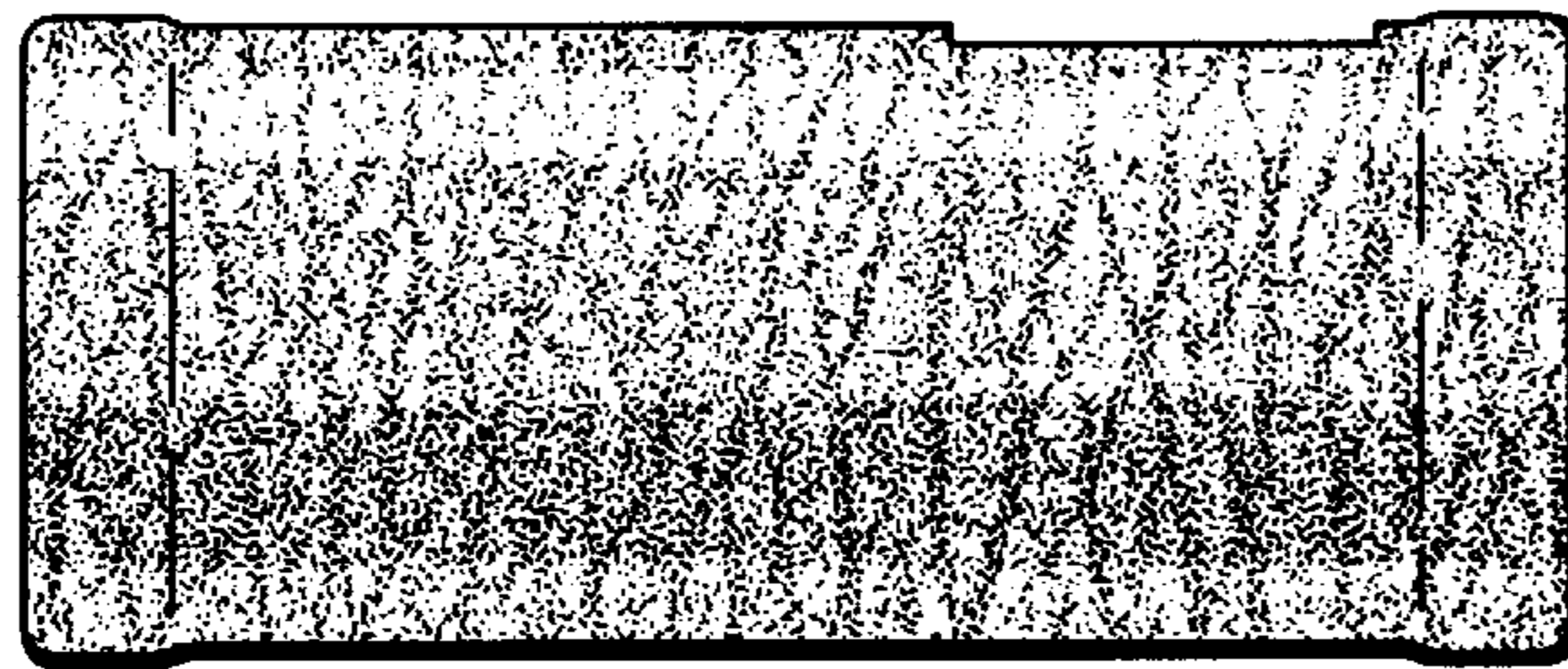


FIG. 13

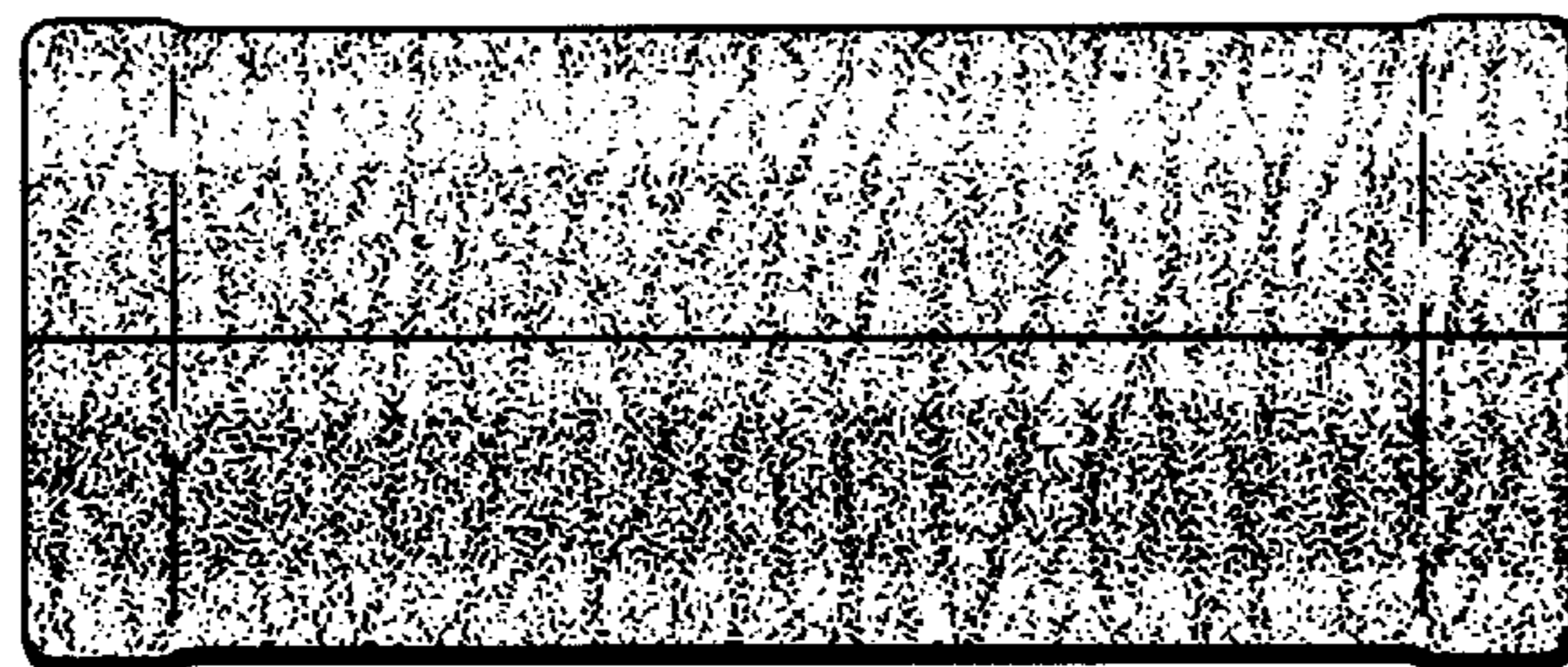


FIG. 14

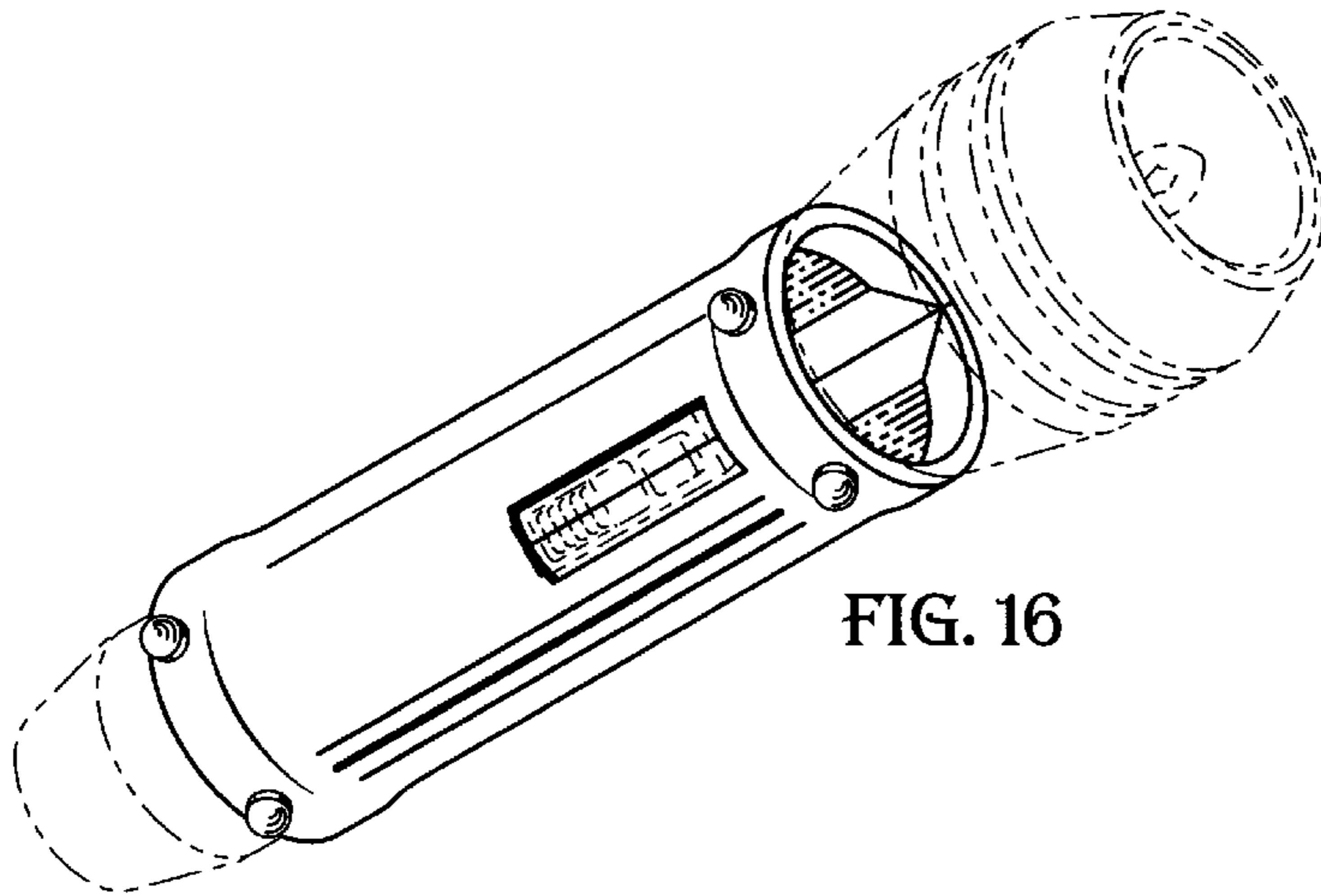


FIG. 16

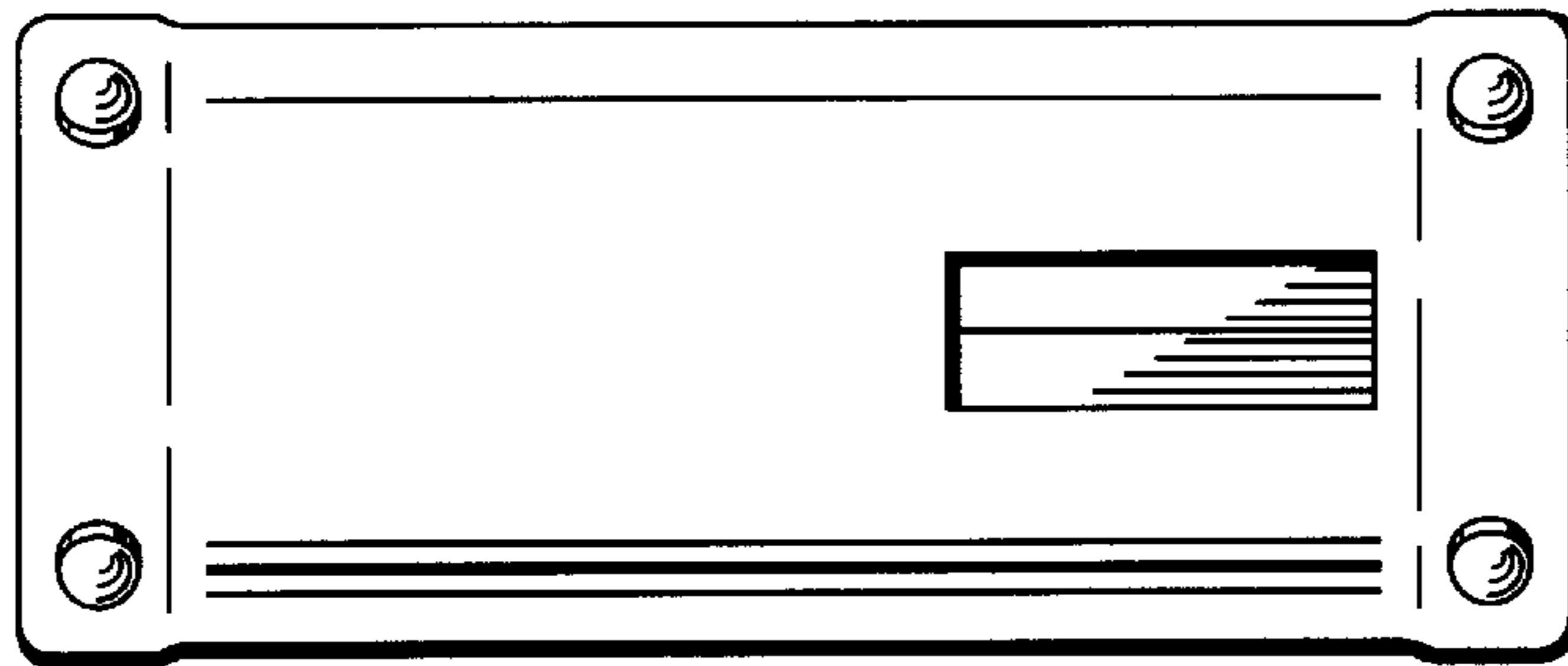


FIG. 17

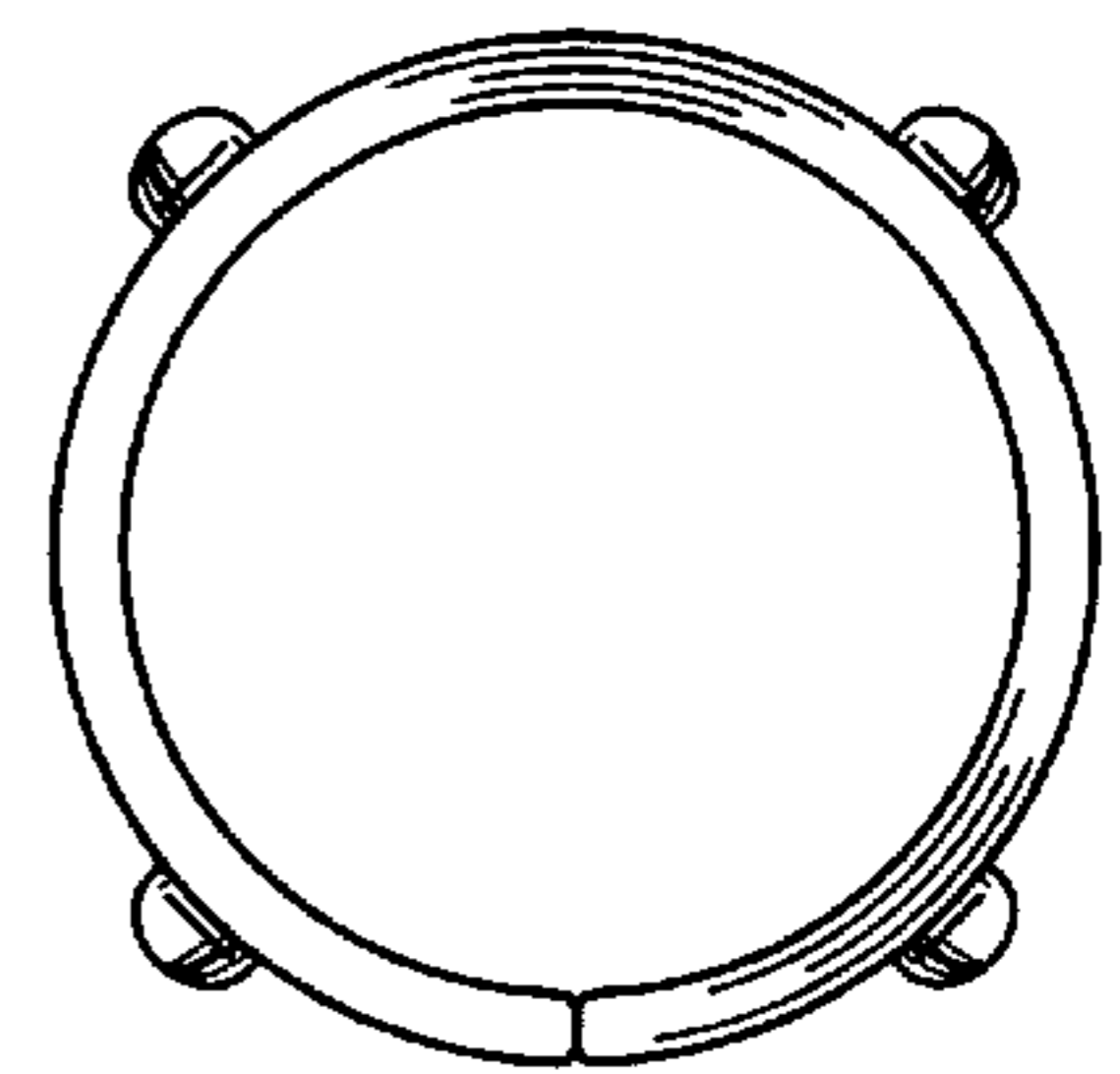


FIG. 20

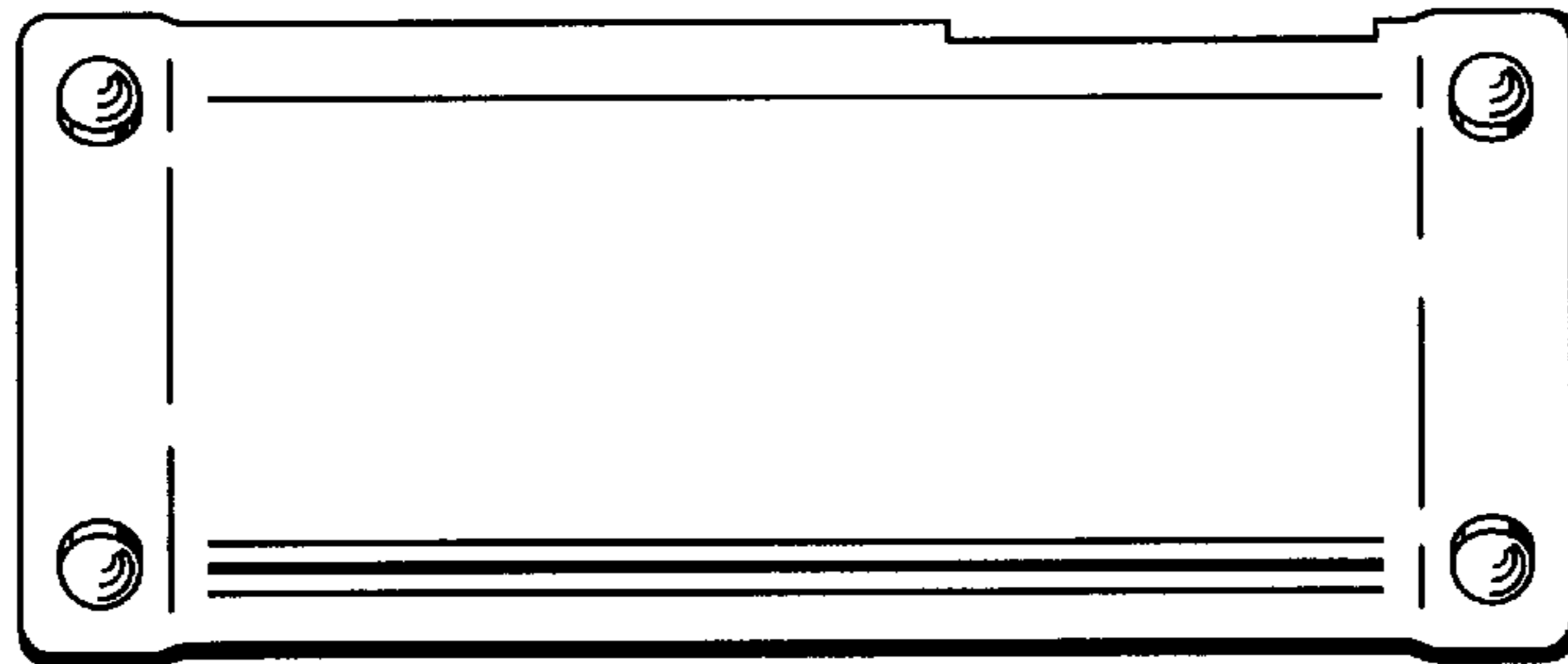


FIG. 18

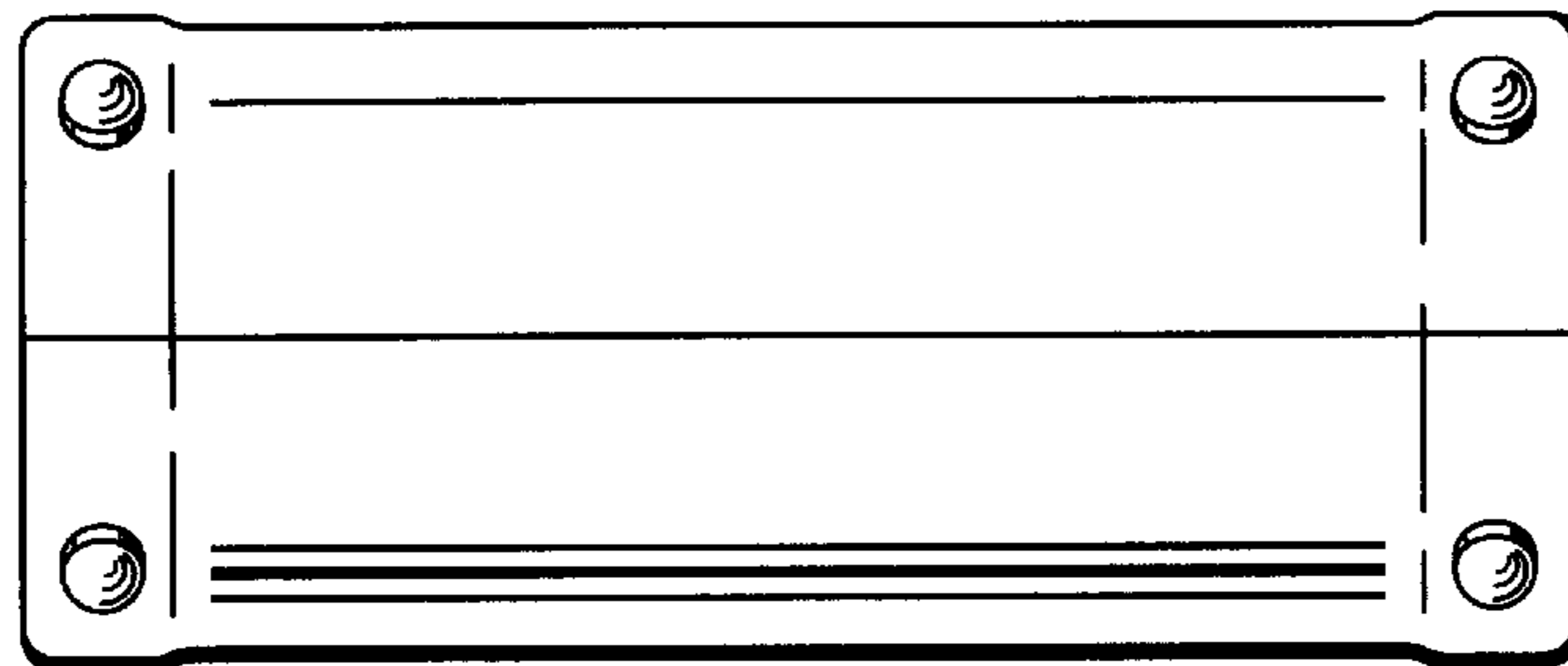


FIG. 19

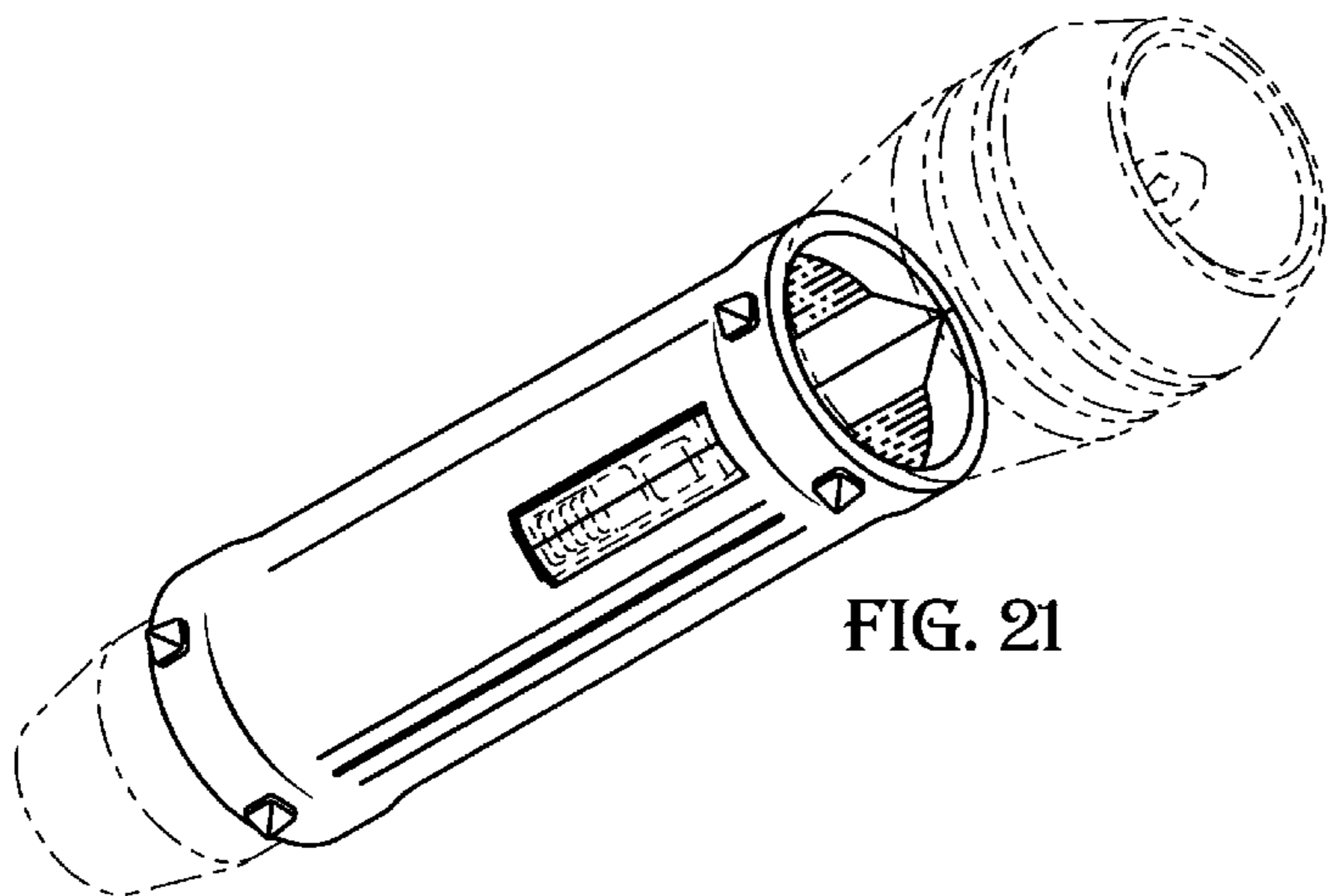


FIG. 21

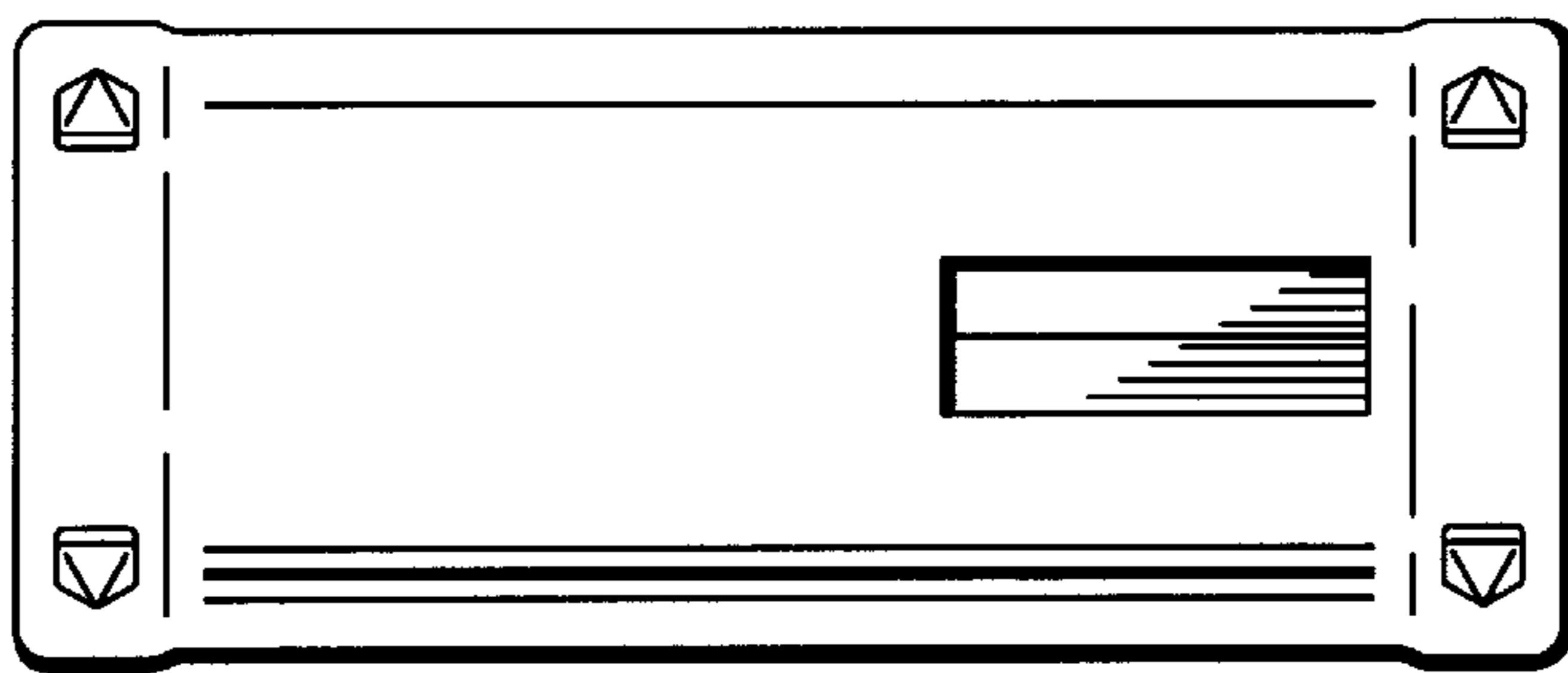


FIG. 22

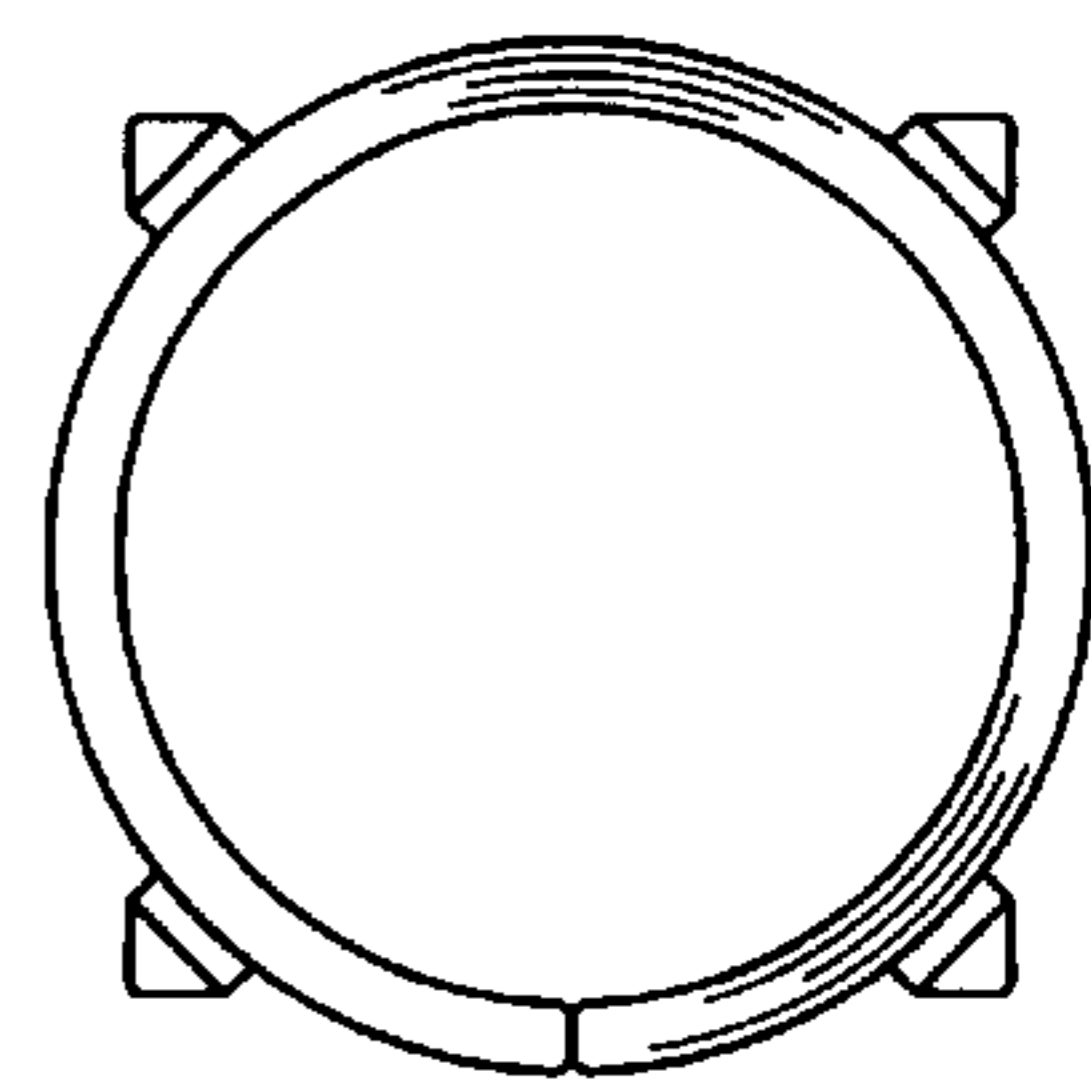


FIG. 25

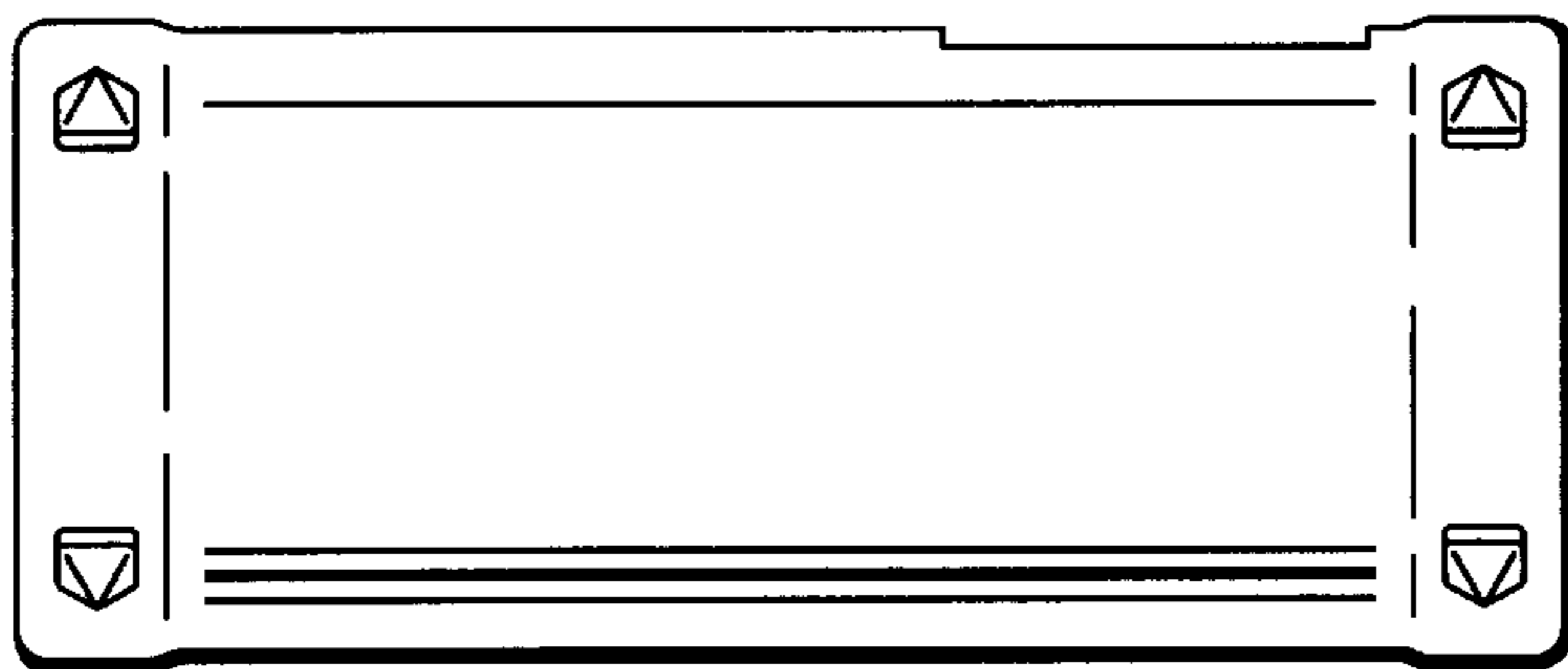


FIG. 23

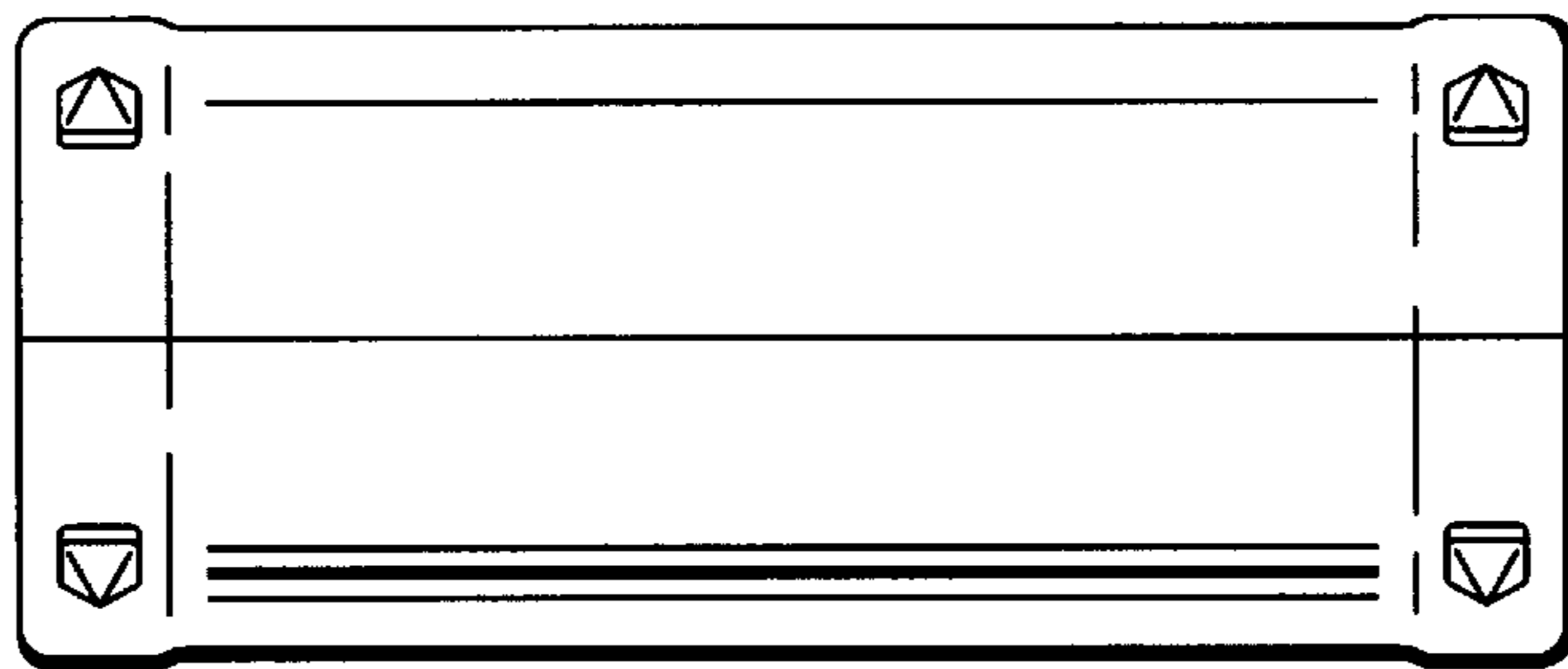


FIG. 24