



US00D427698S

# United States Patent [19]

Yuen

[11] Patent Number: Des. 427,698

[45] Date of Patent: \*\* Jul. 4, 2000

[54] LANTERN

[75] Inventor: **Se Kit Yuen**, Kwun Tong, The Hong Kong Special Administrative Region of the People's Republic of China

[73] Assignee: **John Manufacturing Limited**, Kowloon, The Hong Kong Special Administrative Region of the People's Republic of China

[\*\*] Term: 14 Years

[21] Appl. No.: 29/107,579

[22] Filed: Jul. 8, 1999

### [30] Foreign Application Priority Data

May 11, 1999 [GB] United Kingdom ..... 2083288

[51] LOC (7) Cl. .... 26-02

[52] U.S. Cl. .... D26/44

[58] Field of Search ..... D26/37-50; 362/157, 362/158, 183-208

### [56] References Cited

#### U.S. PATENT DOCUMENTS

- D. 257,540 11/1980 Yip .
- D. 321,264 10/1991 Yuen .
- D. 335,715 5/1993 Wan .
- D. 336,532 6/1993 Chi-Wing .
- D. 350,752 9/1994 Yuen .

- D. 356,649 3/1995 Yuen ..... D26/44
- D. 361,636 8/1995 Poon ..... D26/44
- D. 364,936 12/1995 Leung ..... D26/44
- D. 371,356 7/1996 Maruyama .
- D. 376,864 12/1996 Yuen .
- D. 382,876 8/1997 Yuen .
- D. 409,320 5/1999 Yuen ..... D26/44

#### FOREIGN PATENT DOCUMENTS

- 2082983 7/1999 United Kingdom .
- 2082886 9/1999 United Kingdom .

Primary Examiner—Marcus A. Jackson  
Attorney, Agent, or Firm—Merchant & Gould P.C.

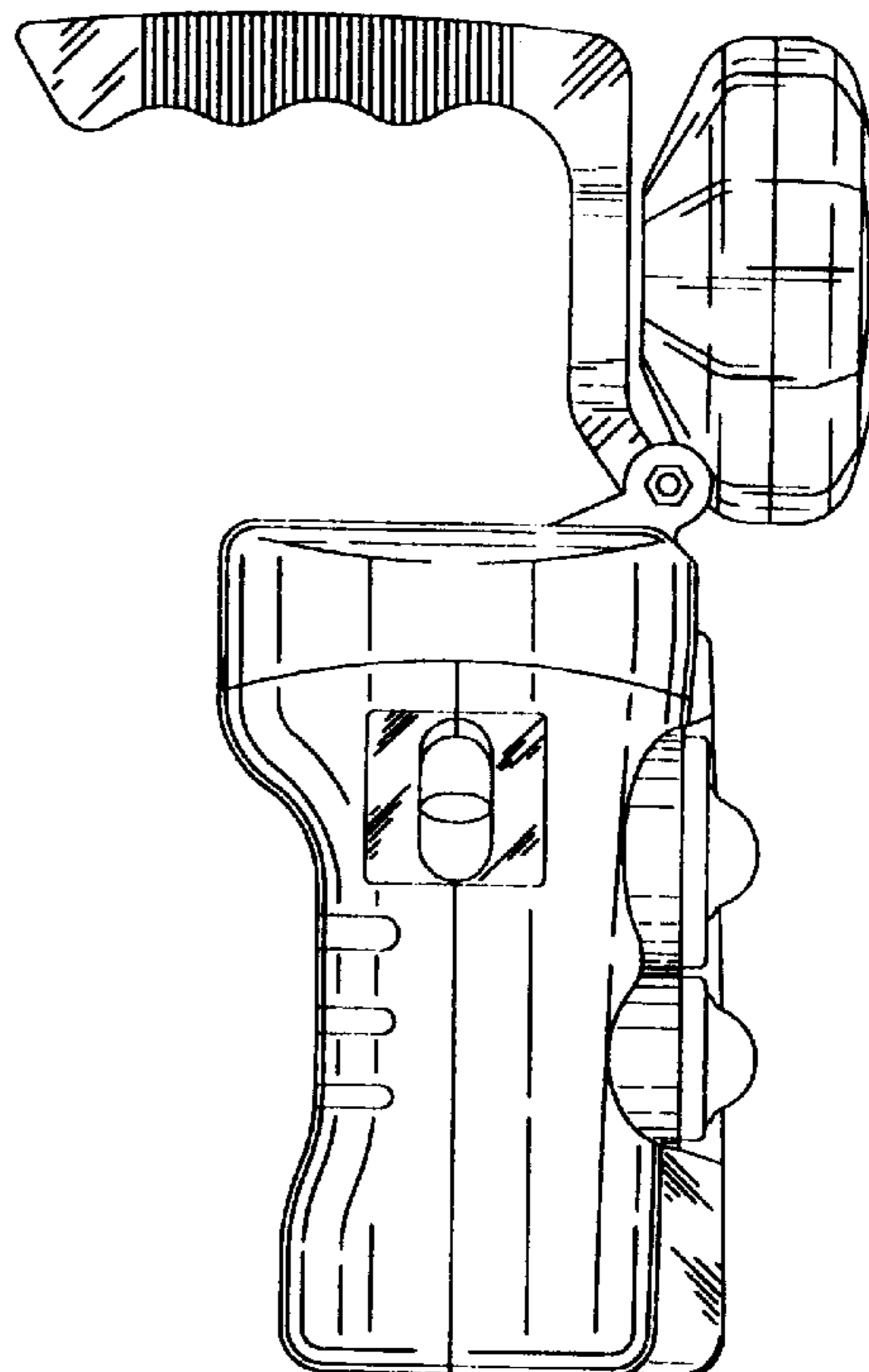
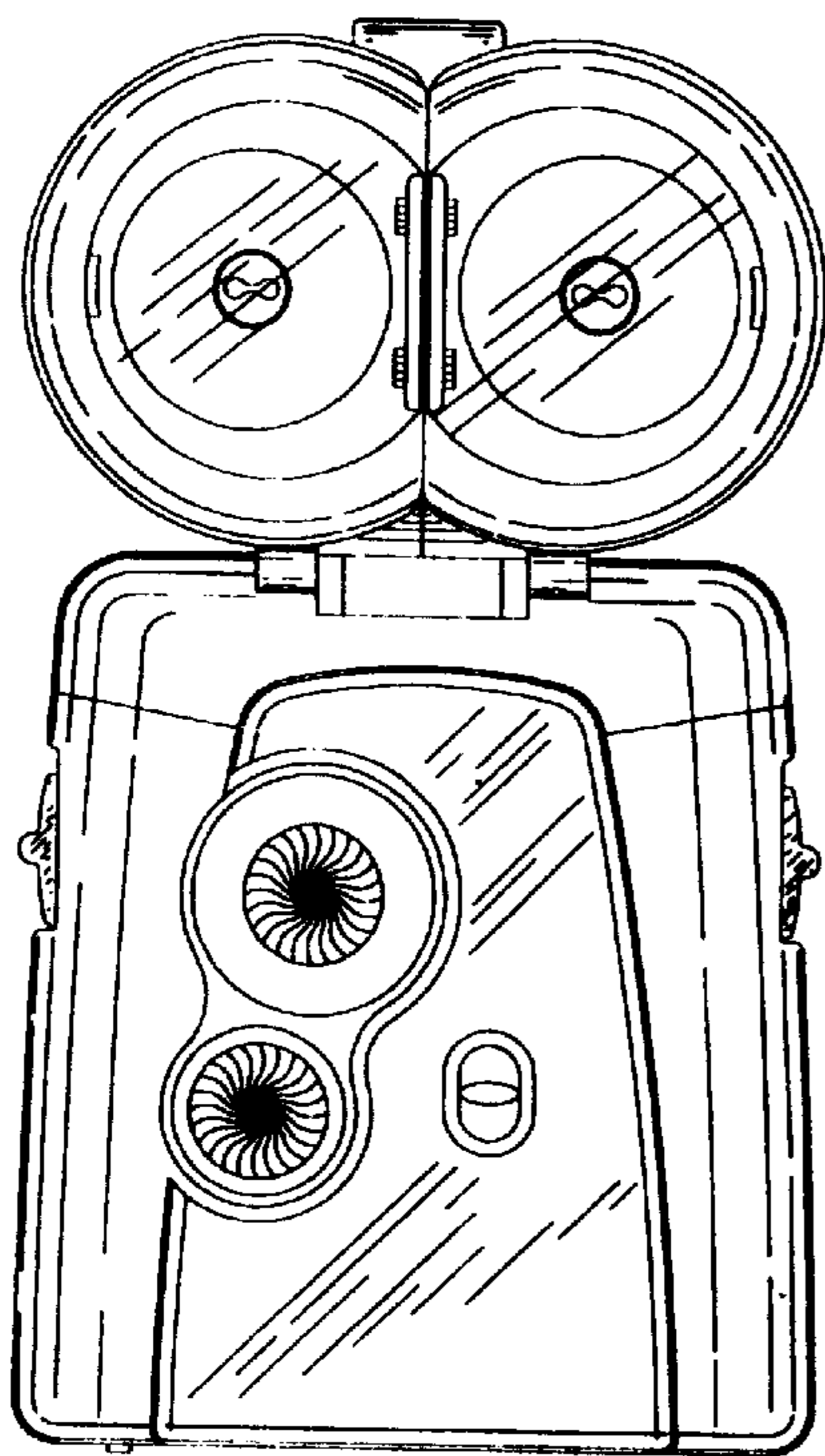
### [57] CLAIM

The ornamental design for a lantern, as shown and described.

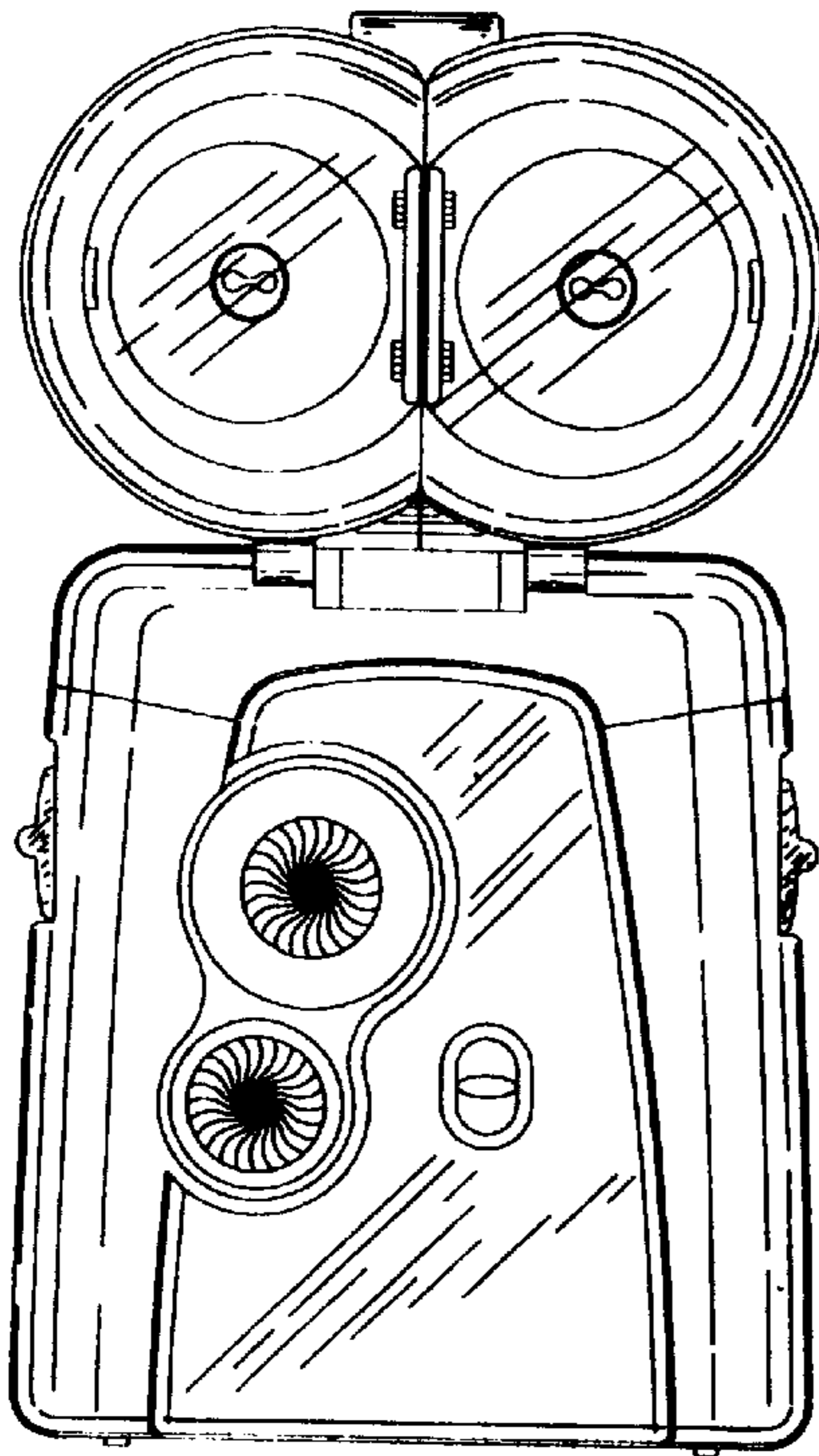
### DESCRIPTION

FIG. 1 is a front plan view of an embodiment of a lantern showing my new design;  
 FIG. 2 is a rear plan view thereof;  
 FIG. 3 is a left side plan view thereof;  
 FIG. 4 is a right side plan view thereof;  
 FIG. 5 is a top plan view thereof;  
 FIG. 6 is a bottom plan view thereof;  
 FIG. 7 is a figure similar to that shown in FIG. 4 in an alternative position; and,  
 FIG. 8 is a figure similar to that shown in FIG. 4 in a second alternative position.

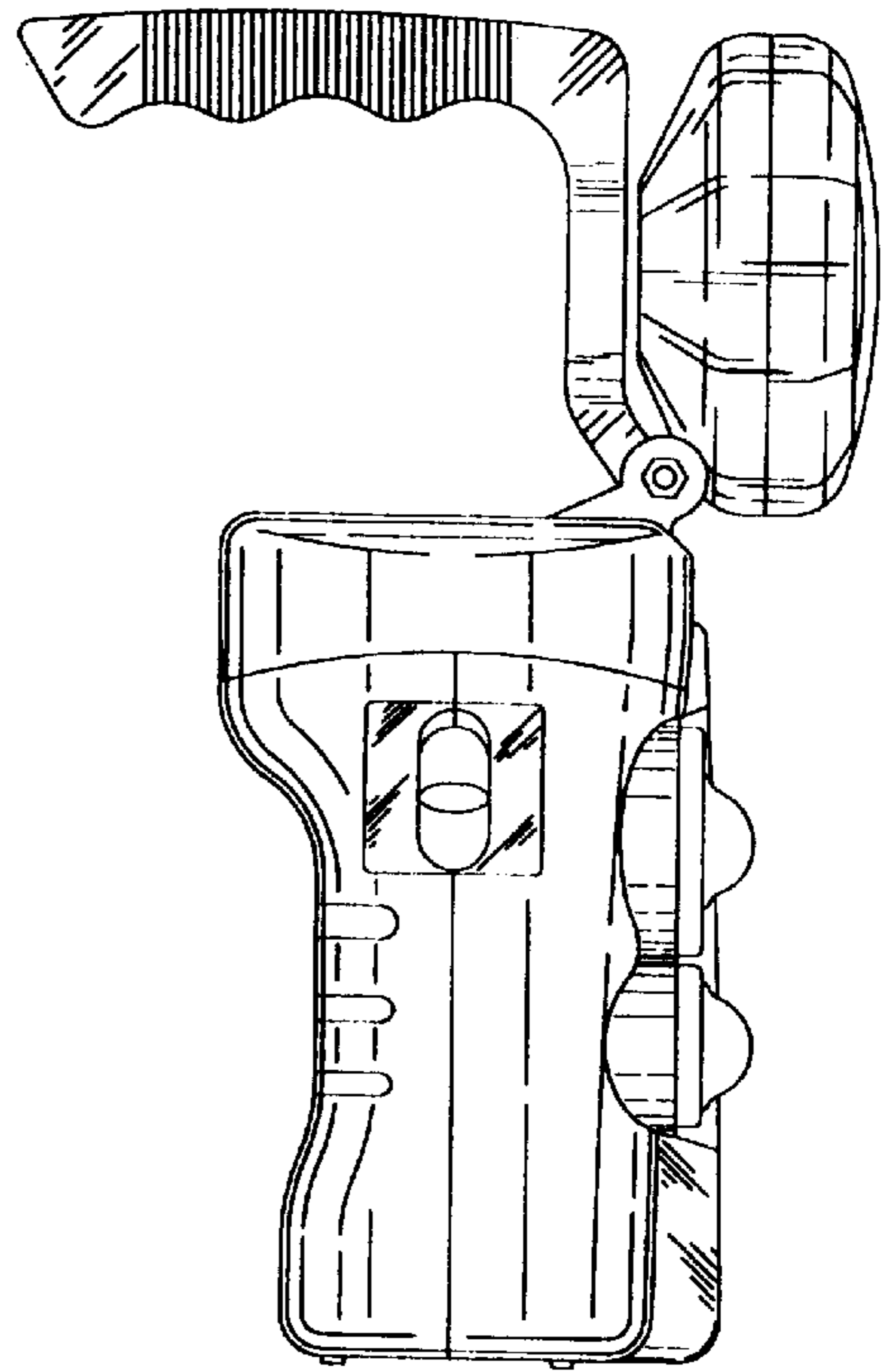
1 Claim, 2 Drawing Sheets



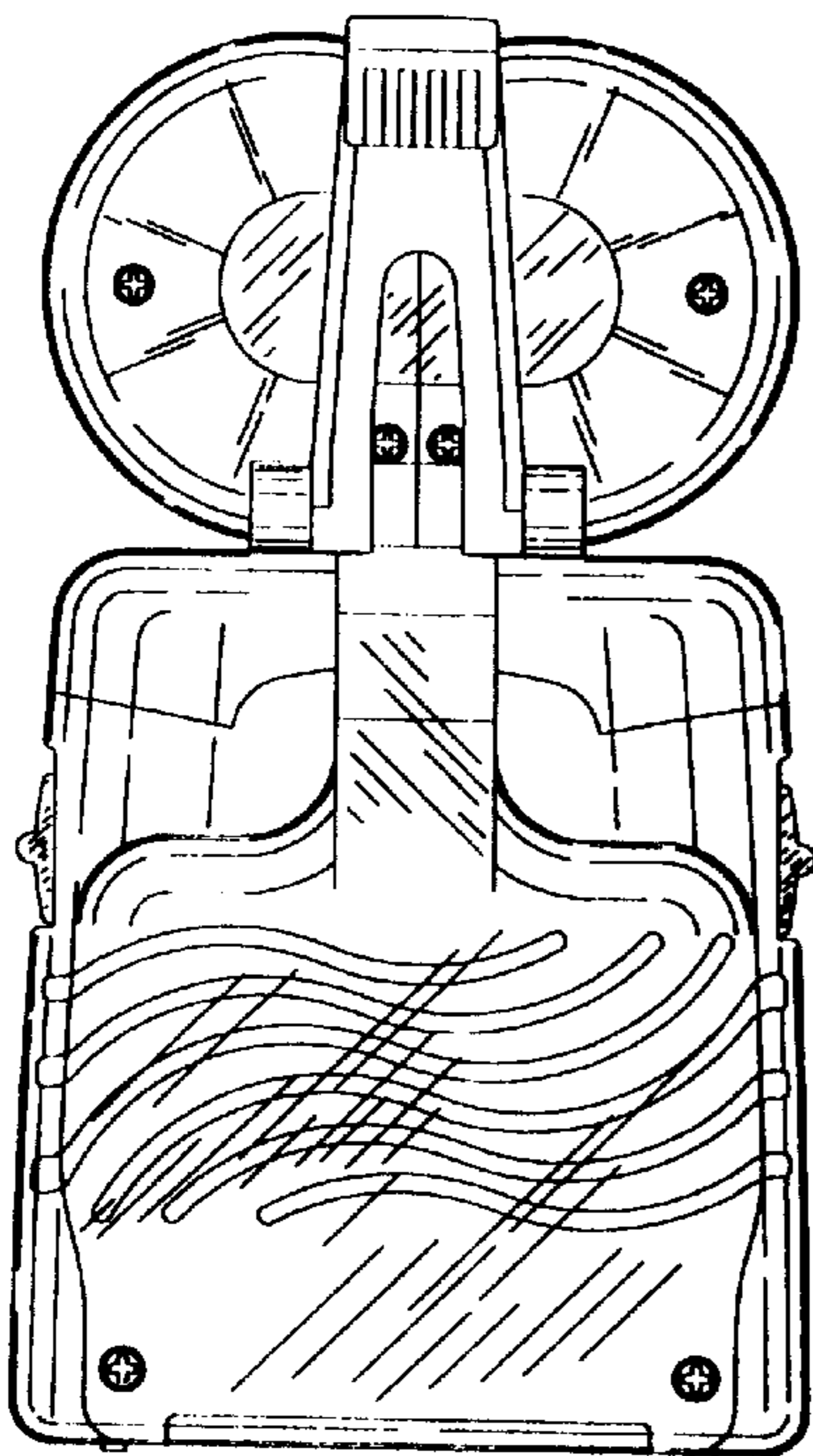
**FIG. 1**



**FIG. 3**



**FIG. 2**



**FIG. 4**

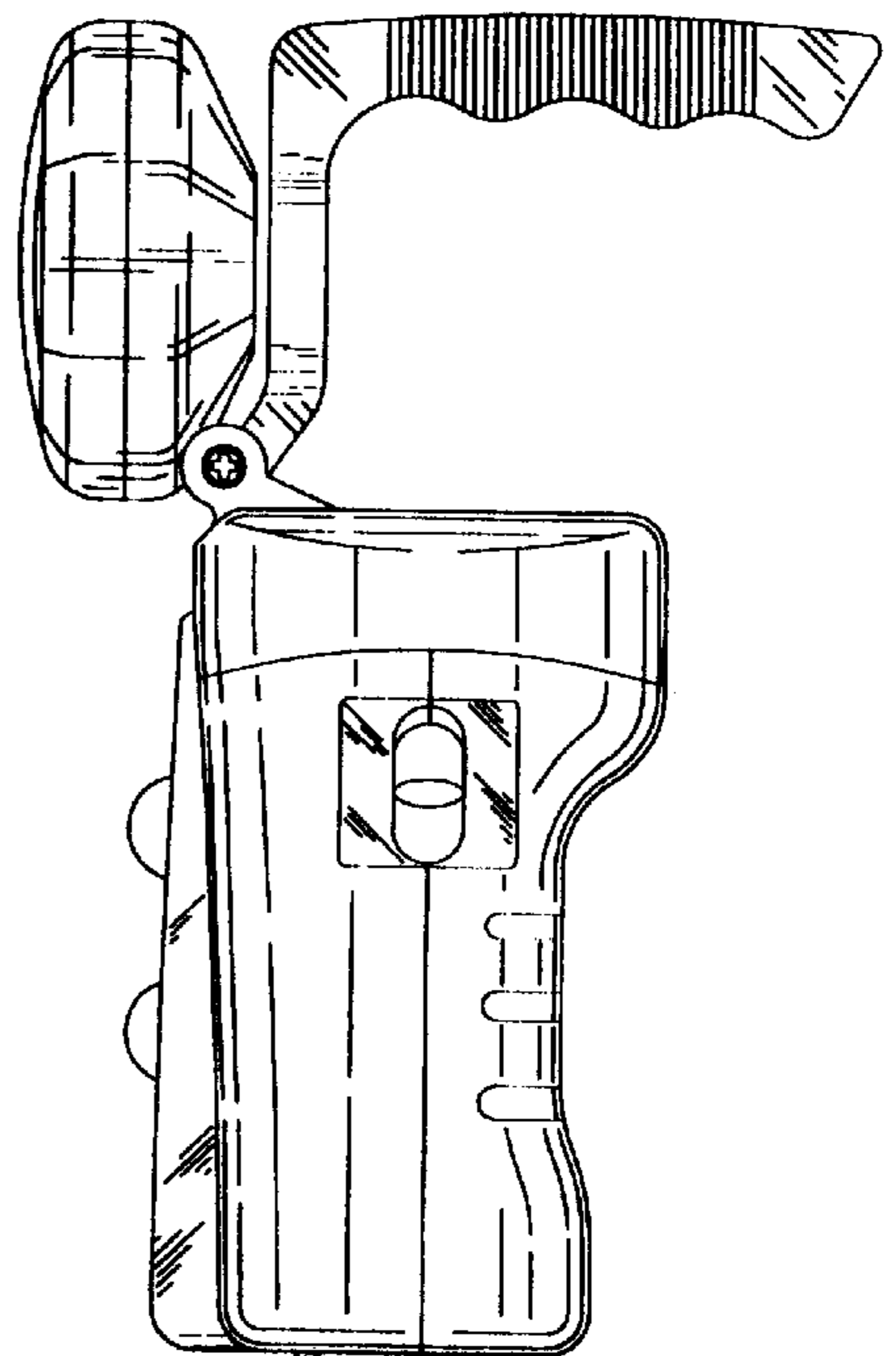


FIG. 5

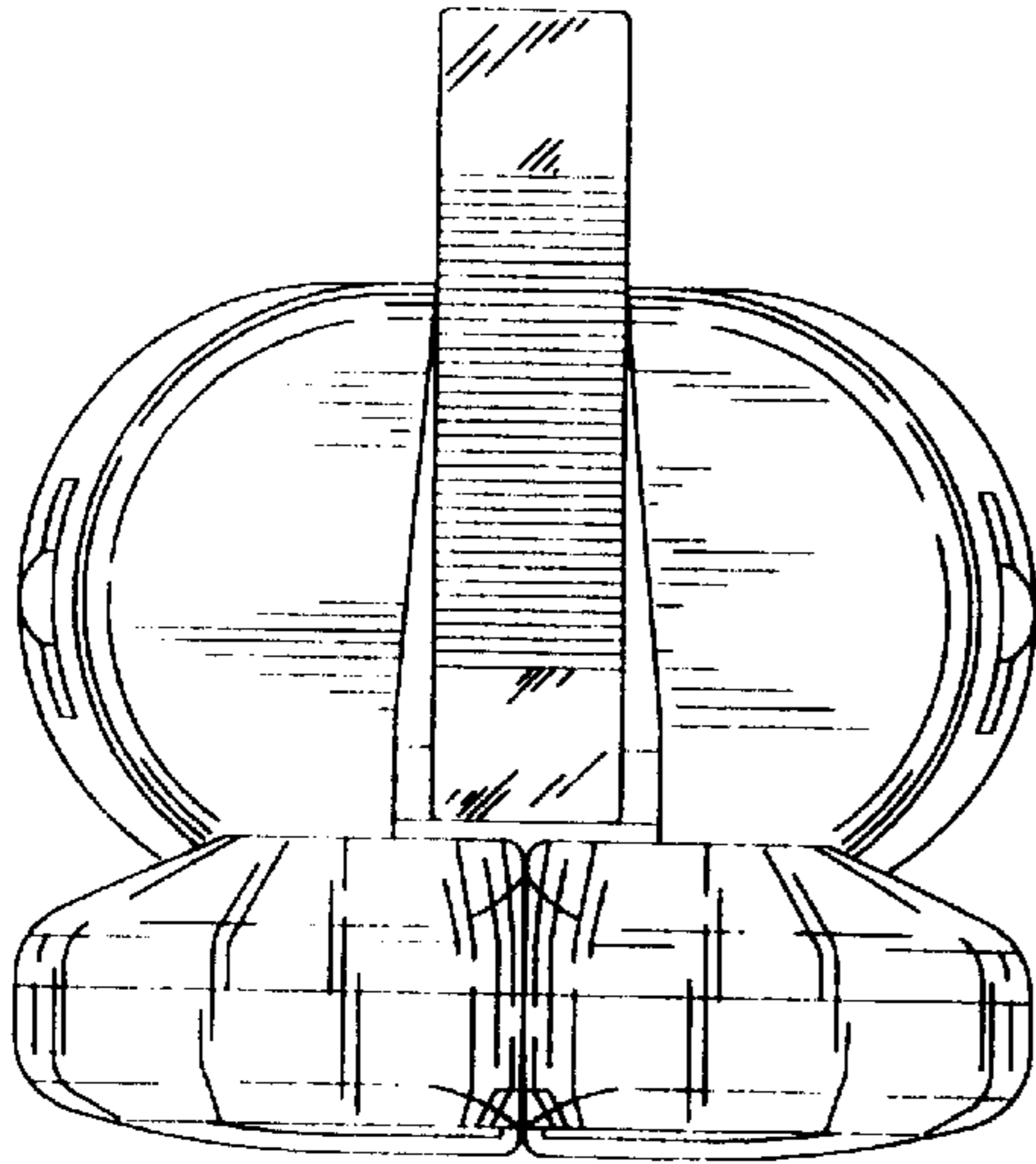


FIG. 6

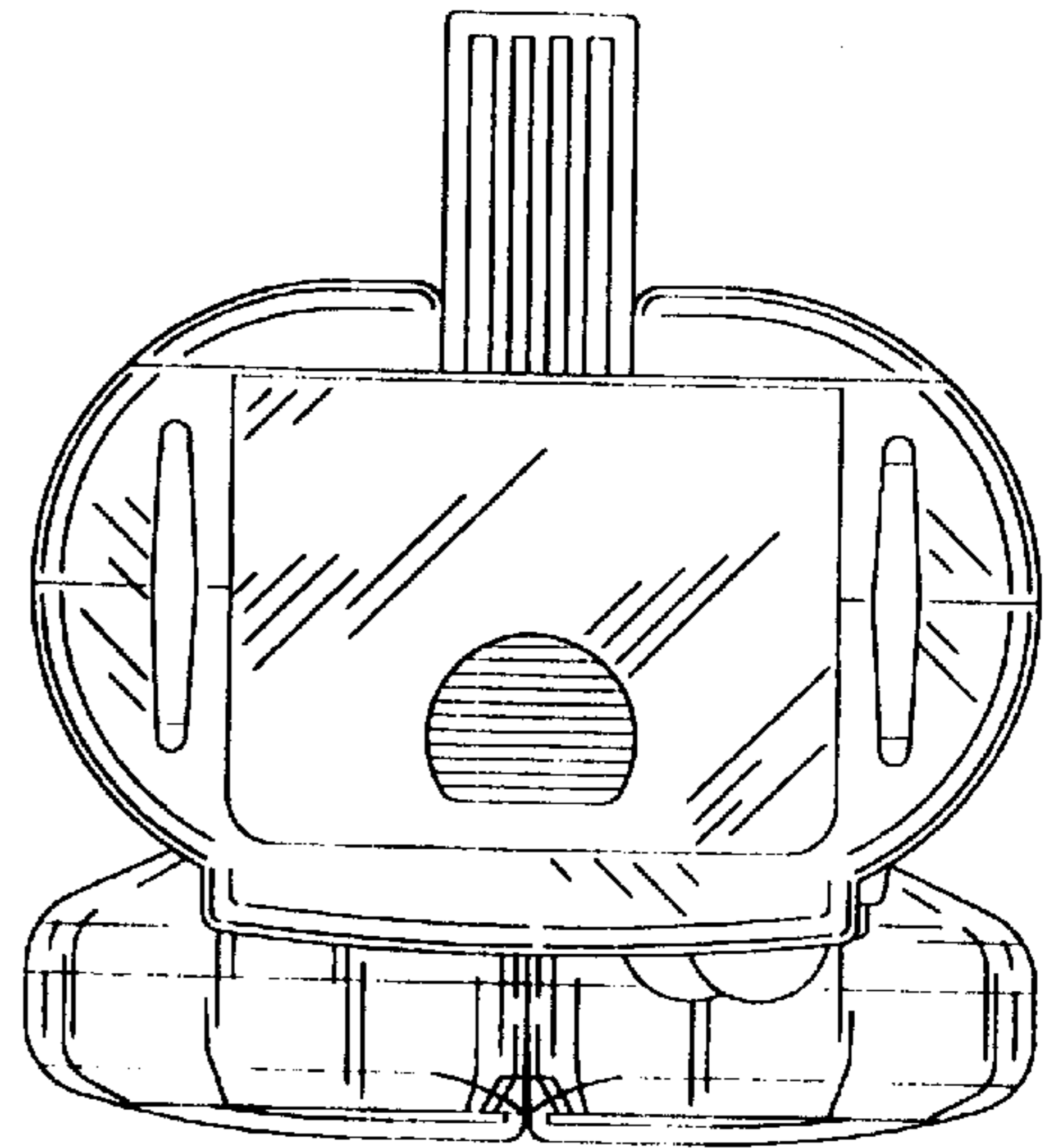


FIG. 7

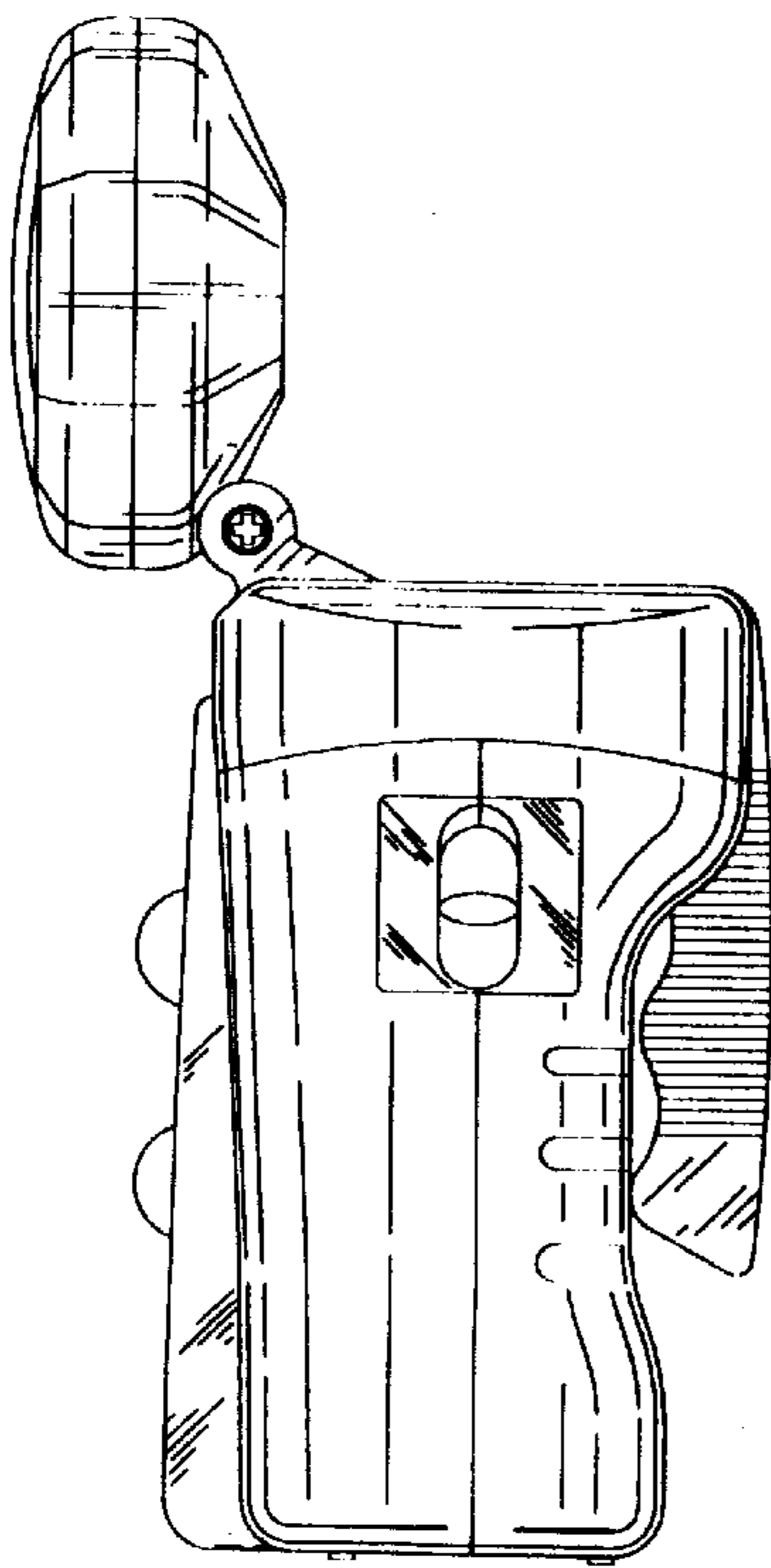


FIG. 8

