



US00D427697S

United States Patent [19]

Brazell et al.

[11] Patent Number: Des. 427,697

[45] Date of Patent: ** Jul. 4, 2000

[54] FLASHLIGHT

[75] Inventors: **Kenneth M. Brazell**, Phoenix; **Michael A. Hershauer**, Gilbert, both of Ariz.

[73] Assignee: **Ryobi North America, Inc.**, Anderson, S.C.

[**] Term: **14 Years**

[21] Appl. No.: **29/111,330**

[22] Filed: **Sep. 24, 1999**

[51] LOC (7) Cl. **26-02**

[52] U.S. Cl. **D26/42**

[58] Field of Search D26/37-50; 362/157, 362/158, 183-208

[56] References Cited

U.S. PATENT DOCUMENTS

D. 154,627	7/1949	Peterlin et al.	D26/38
D. 253,194	10/1979	Watley .	
D. 254,513	3/1980	Dart .	
D. 280,029	8/1985	Petterson .	
D. 307,057	4/1990	Seok	D26/49
D. 311,593	10/1990	Fenne	D26/46
D. 330,942	11/1992	Zeung	D26/37
D. 343,917	2/1994	Yuen .	
D. 356,875	3/1995	Zelina, Jr. .	
D. 361,636	8/1995	Poon .	
D. 369,422	4/1996	Dalton et al. .	
D. 375,570	11/1996	Hayakawa et al. .	
D. 380,060	6/1997	Chiang .	
D. 387,455	12/1997	Zurwelle .	
D. 387,456	12/1997	Zurwelle .	
D. 388,201	12/1997	Zurwelle	D26/37
D. 390,987	2/1998	Zurwelle .	
D. 391,654	3/1998	Matthes et al. .	
D. 394,122	5/1998	Concari et al. .	

D. 404,158	1/1999	Yuen .
D. 404,839	1/1999	Petterson et al. .
D. 405,552	2/1999	Howard et al. .
D. 406,372	3/1999	Matthes et al. .
D. 409,320	5/1999	Yuen .
D. 409,776	5/1999	Ghode et al. .
D. 409,777	5/1999	Sharrah et al. .
D. 409,778	5/1999	Chu .
D. 410,293	5/1999	Prince .
D. 410,328	6/1999	Alajajian et al. .
D. 410,557	6/1999	Petterson et al. .
D. 410,760	6/1999	Yao .
D. 411,893	7/1999	Matthes et al. .
D. 413,994	9/1999	Clowers et al. .

OTHER PUBLICATIONS

Makita Industrial Power Tools 1998-1999 General Catalog, Cordless Power Tool Accessories, 1999, p. 29.
 Porter Cable Corporation 1999-2000 Catalog, 1999, p. 50.
 DeWalt 1998 High Performance Industrial Tools & Accessories Catalog, © 1999, p. 12.

Primary Examiner—Marcus A. Jackson
Attorney, Agent, or Firm—Brooks & Kushman P.C.

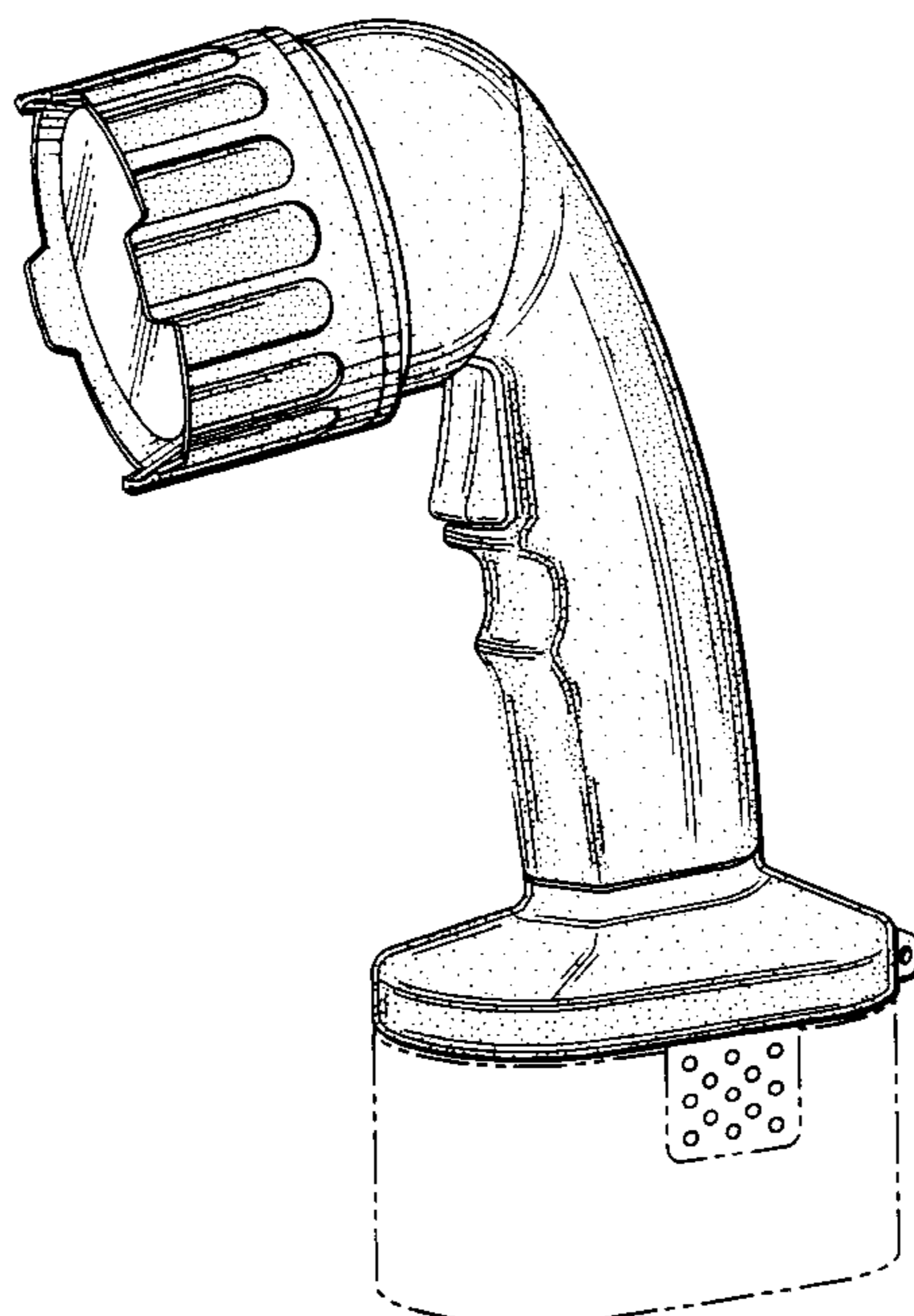
[57] CLAIM

The ornamental design for a flashlight, as shown and described.

DESCRIPTION

FIG. 1 is a perspective view of the flashlight; FIG. 2 is a left side elevational view, the right side elevational view being the mirror image thereof; FIG. 3 is a front elevational view; FIG. 4 is a rear elevational view; FIG. 5 is a bottom plan view; and, FIG. 6 is a top plan view.

1 Claim, 2 Drawing Sheets



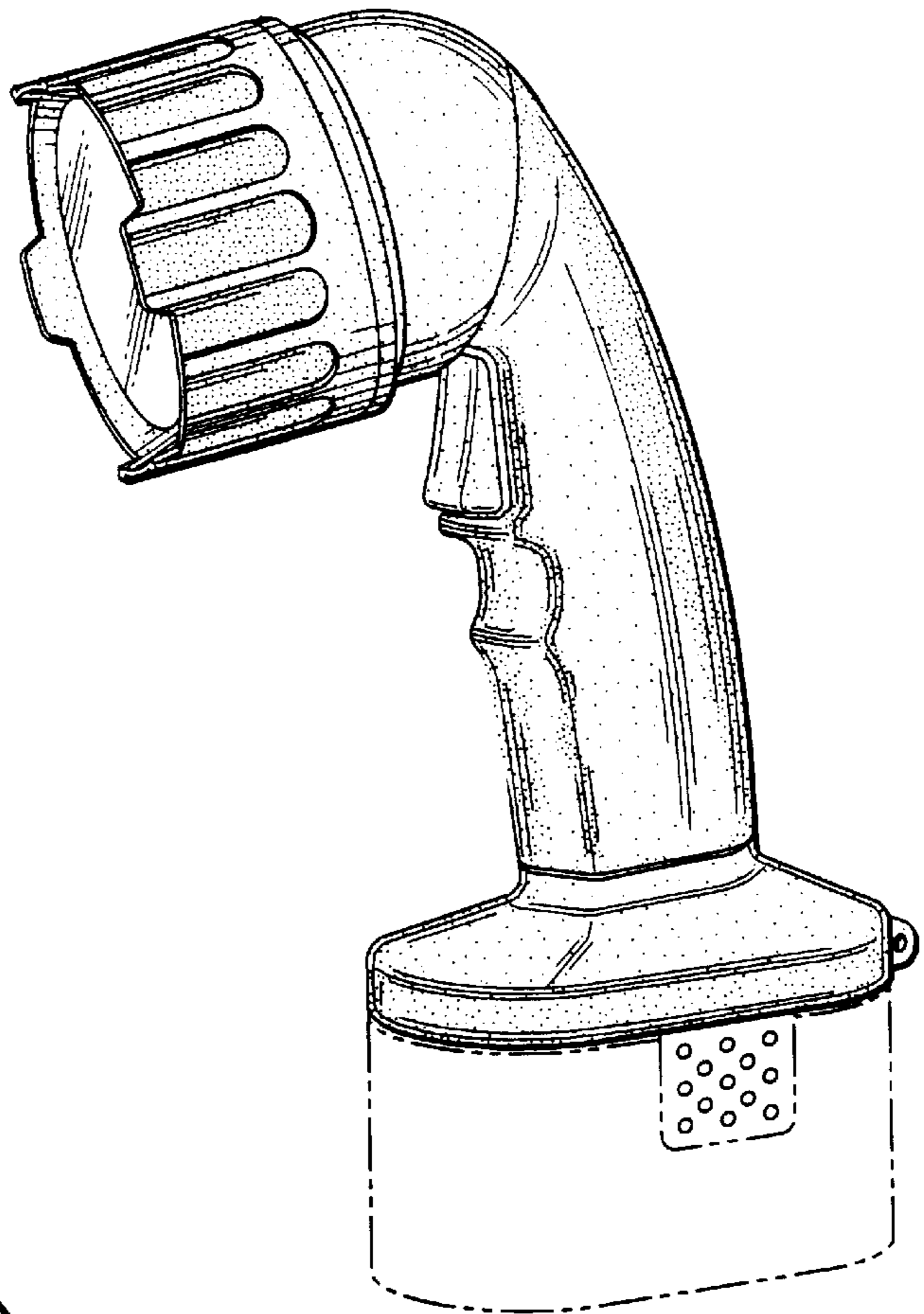


Fig. 1

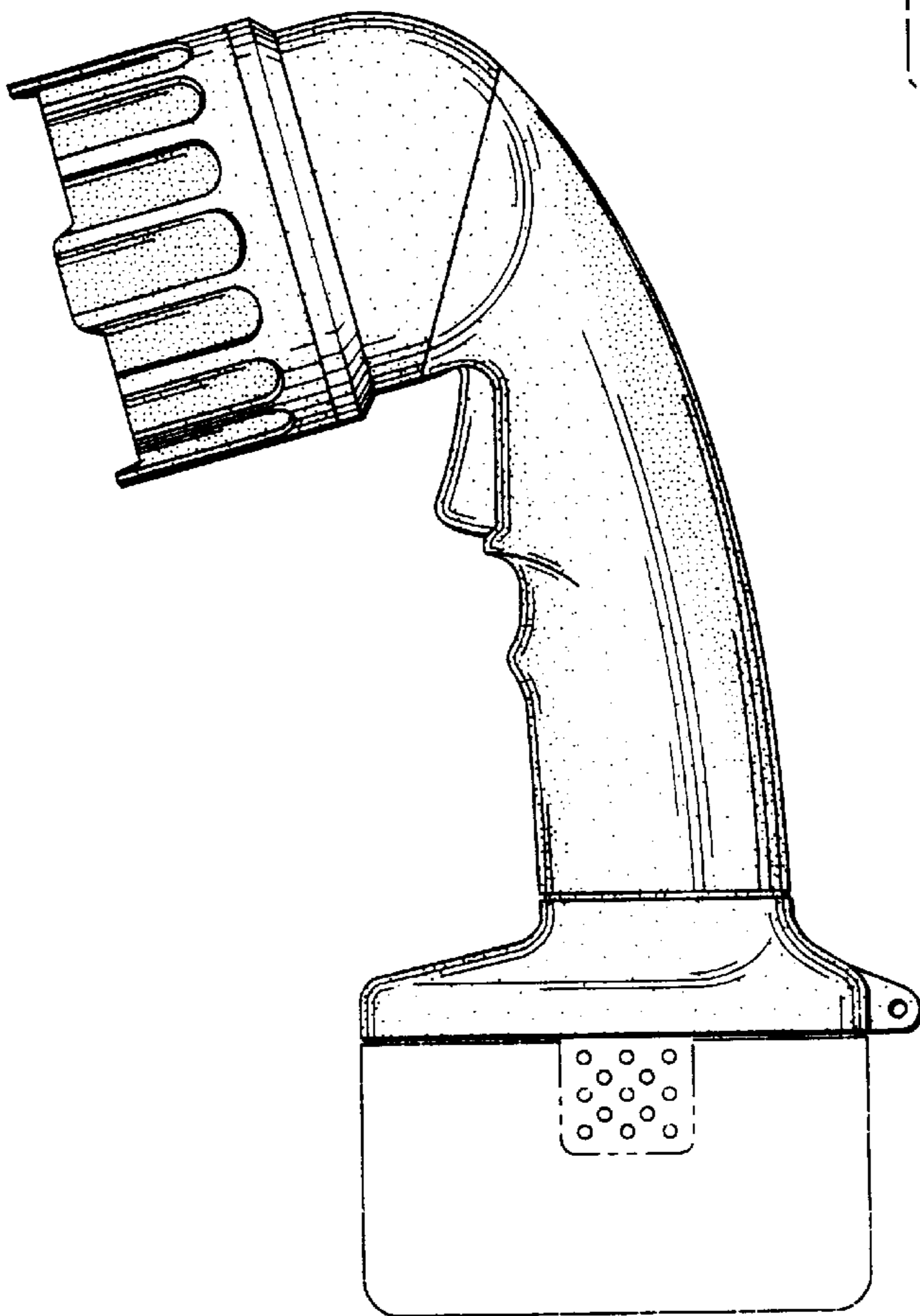


Fig. 2

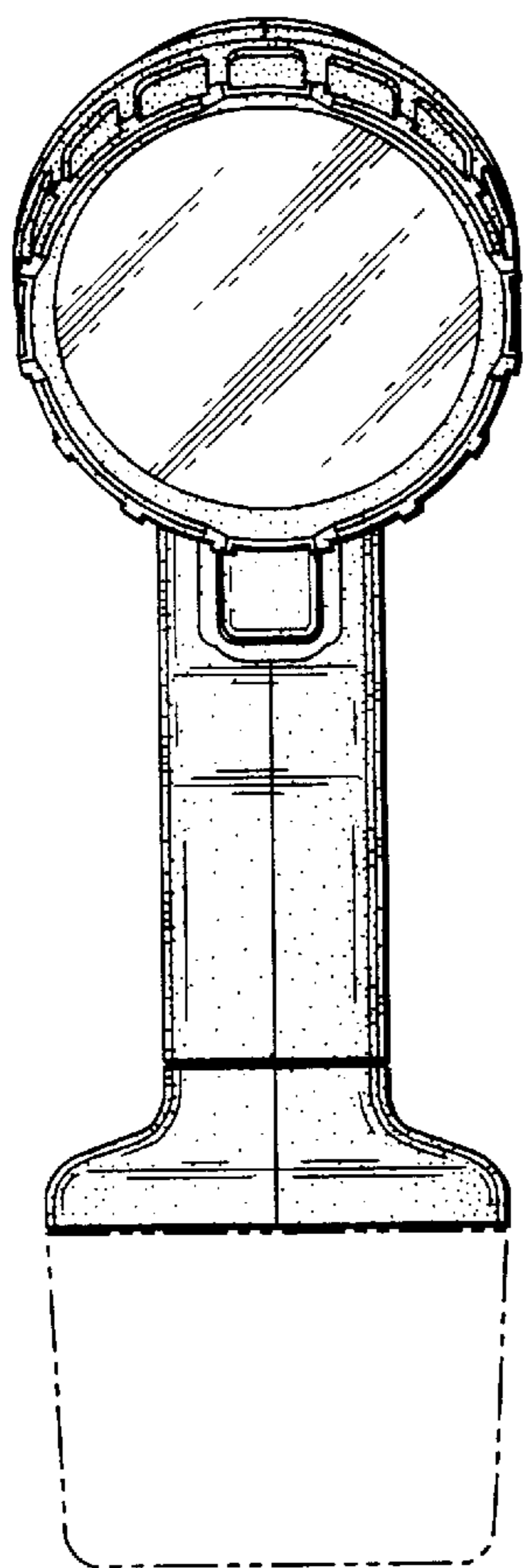


Fig. 3

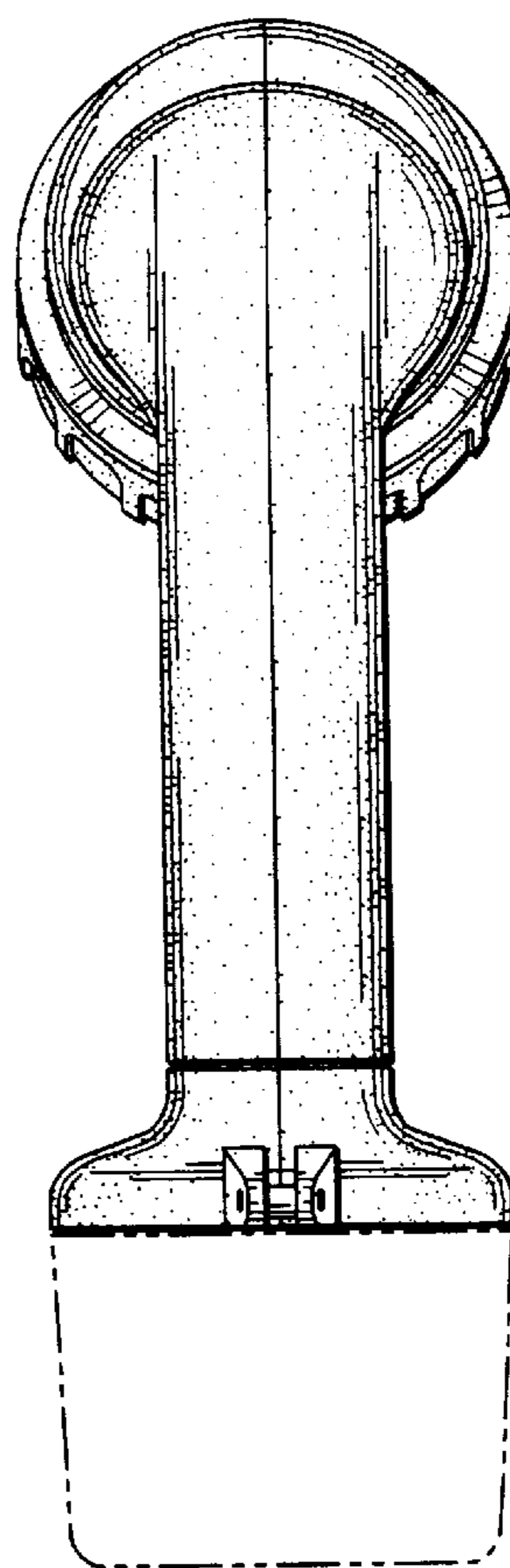


Fig. 4

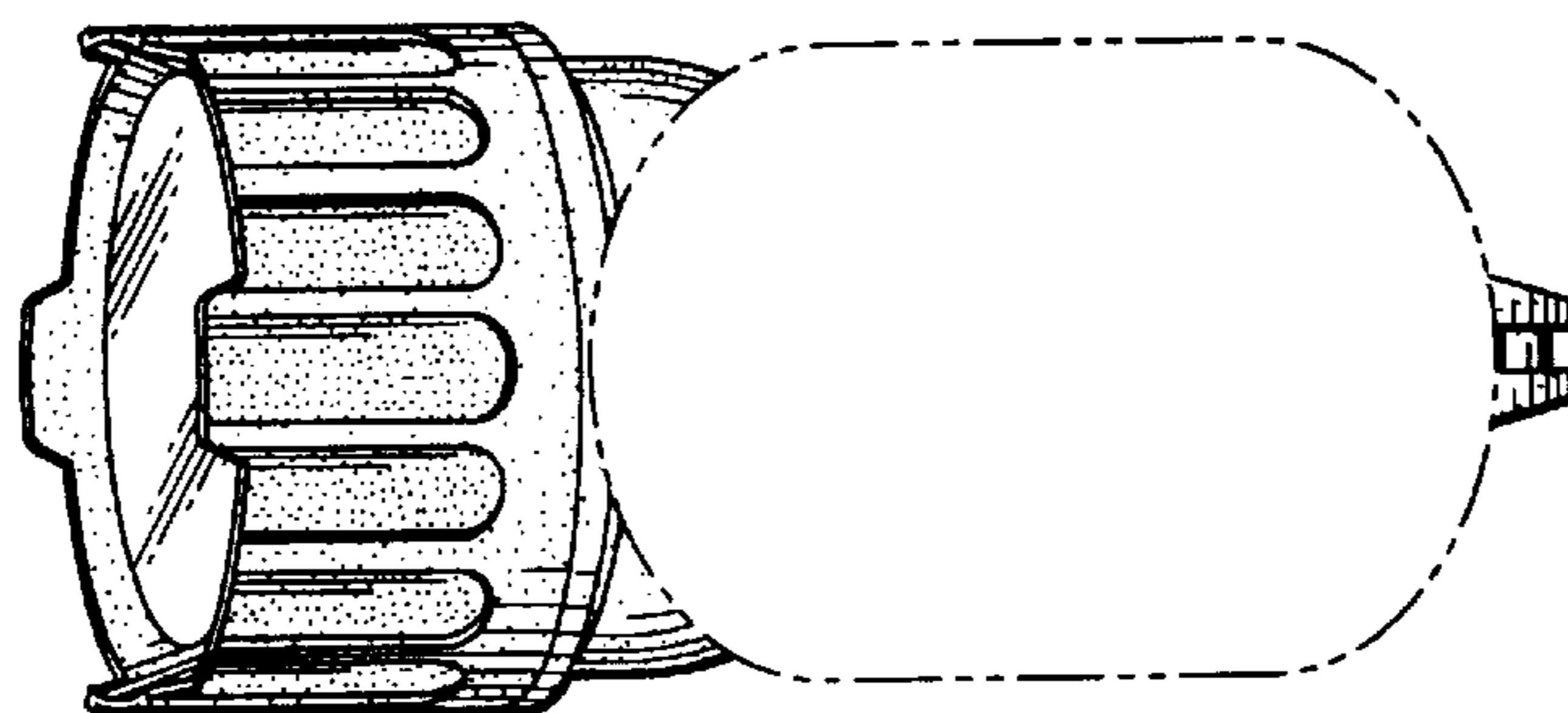


Fig. 5

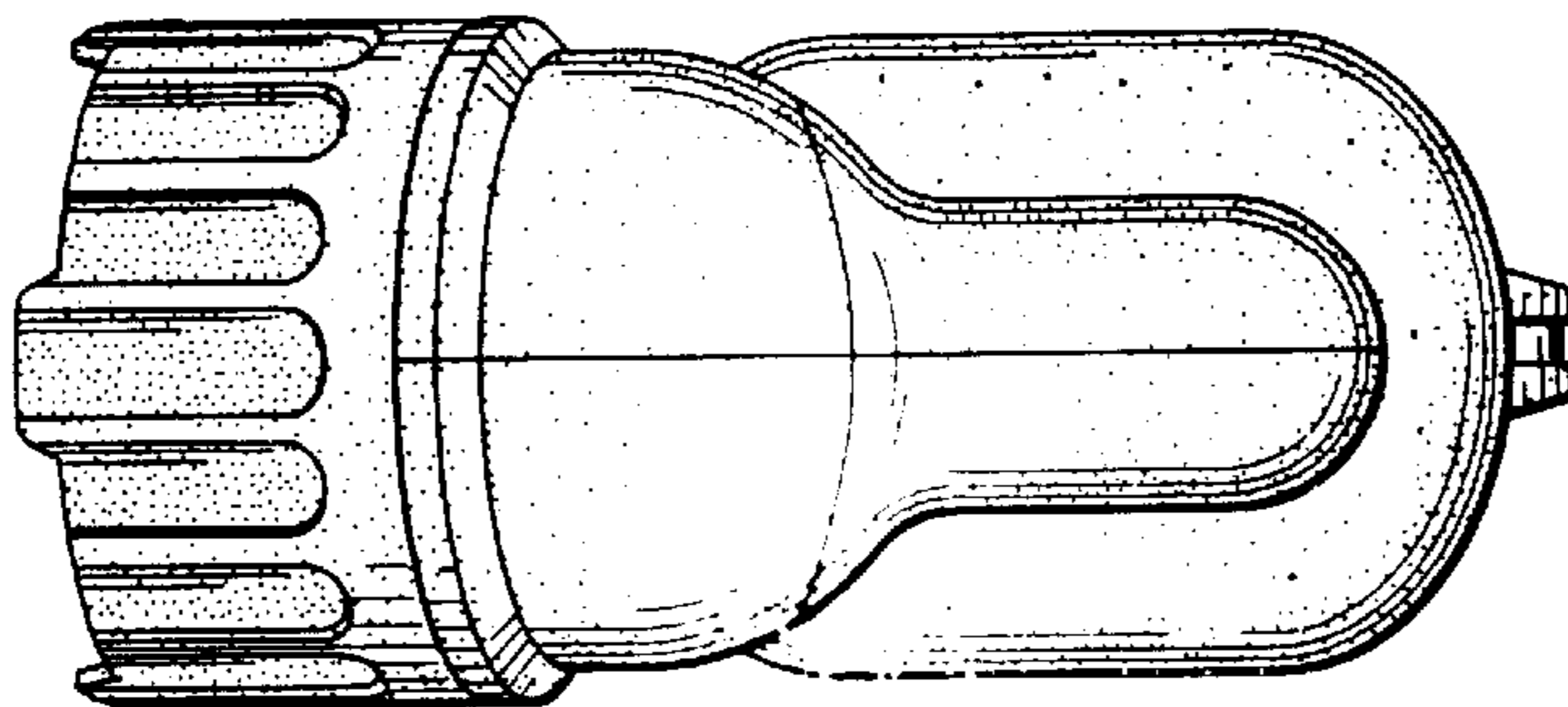


Fig. 6