



US00D427696S

# United States Patent [19]

Scott et al.

[11] Patent Number: Des. 427,696

[45] Date of Patent: \*\* Jul. 4, 2000

[54] **BILLET LIGHT**

[75] Inventors: **Ronald P. Scott; Lyle P. Scott**, both of Whittier; **Ron L. Barker**, Saugus, all of Calif.

[73] Assignee: **NC Dynamics**, Long Beach, Calif.

[\*\*] Term: **14 Years**

[21] Appl. No.: **29/103,829**

[22] Filed: **Apr. 22, 1999**

[51] **LOC (7) Cl.** ..... **26-06**

[52] **U.S. Cl.** ..... **D26/28; D26/24; D26/63**

[58] **Field of Search** ..... **D26/25, 26, 24, D26/63, 60-66; 362/147, 404, 432, 418, 419, 427, 428, 269, 275**

[56] **References Cited**

**U.S. PATENT DOCUMENTS**

D. 111,577	10/1938	Arenberg	.....	D26/60
D. 112,389	11/1938	Toppin	.....	D26/61
D. 112,957	1/1939	Ludwig	.....	D26/24
D. 113,627	3/1939	Gagnon	.....	D26/61
D. 113,850	3/1939	Ludwig	.....	D26/60
D. 117,473	11/1939	Grode	.....	D26/60
D. 124,540	1/1941	Nebenzahl et al.	.....	D26/24
D. 276,468	11/1984	Preisler et al.	.....	D26/28
D. 315,610	3/1991	Joosten et al.	.....	D26/63
D. 315,964	4/1991	Joosten et al.	.....	D26/63
D. 400,997	11/1998	Cheun et al.	.....	D26/63
2,192,114	2/1940	Walker	.....	362/404
2,212,048	8/1940	Russell	.....	362/432
4,212,050	7/1980	Trenkel	.....	362/432

**OTHER PUBLICATIONS**

Drawings from Trademark Appln. Serial No. 29/103,829, for Miscellaneous design, date of first use Apr. 1993.  
Swivelier catalog, p. 24, item No. 22309, Jun. 1986.  
Swivelier catalog p. 25, Item 59330, Jun. 1986.

Sigma Universal Corporation, p. 7, Item SP-606, Jun. 1986.

*Primary Examiner*—Cynthia E. Ramirez  
*Attorney, Agent, or Firm*—Lyon & Lyon LLP

[57] **CLAIM**

The ornamental design for a billet light, as shown and described.

**DESCRIPTION**

FIG. 1 is a perspective view of a first embodiment of the new design,

FIG. 2 is a top view thereof,

FIG. 3 is a front view thereof,

FIG. 4 is a bottom view thereof,

FIG. 5 is a rear view thereof, and

FIGS. 6 and 7 are respective side views thereof;

FIG. 8 is a perspective view of a second embodiment of the new design,

FIG. 9 is a top view thereof,

FIG. 10 is a front view thereof,

FIG. 11 is a bottom view thereof,

FIG. 12 is a rear view thereof, and

FIGS. 13 and 14 are respective side views thereof;

FIG. 15 is a perspective view of a third embodiment of the new design,

FIG. 16 is a top view thereof,

FIG. 17 is a front view thereof,

FIG. 18 is a bottom view thereof,

FIG. 19 is a rear view thereof, and

FIGS. 20 and 21 are respective side views thereof; and

FIG. 22 is a perspective view of a fourth embodiment of the new design,

FIG. 23 is a top view thereof,

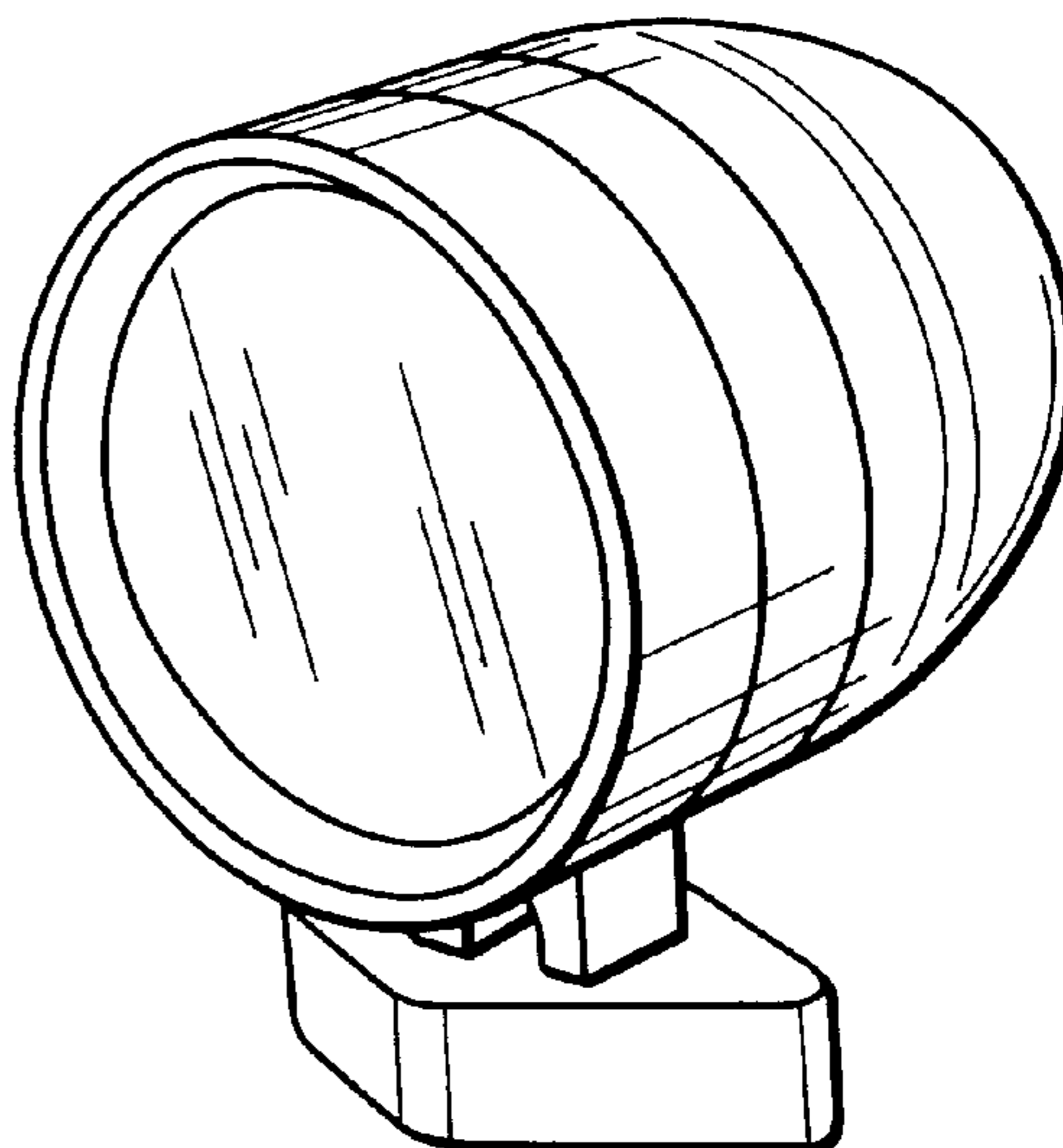
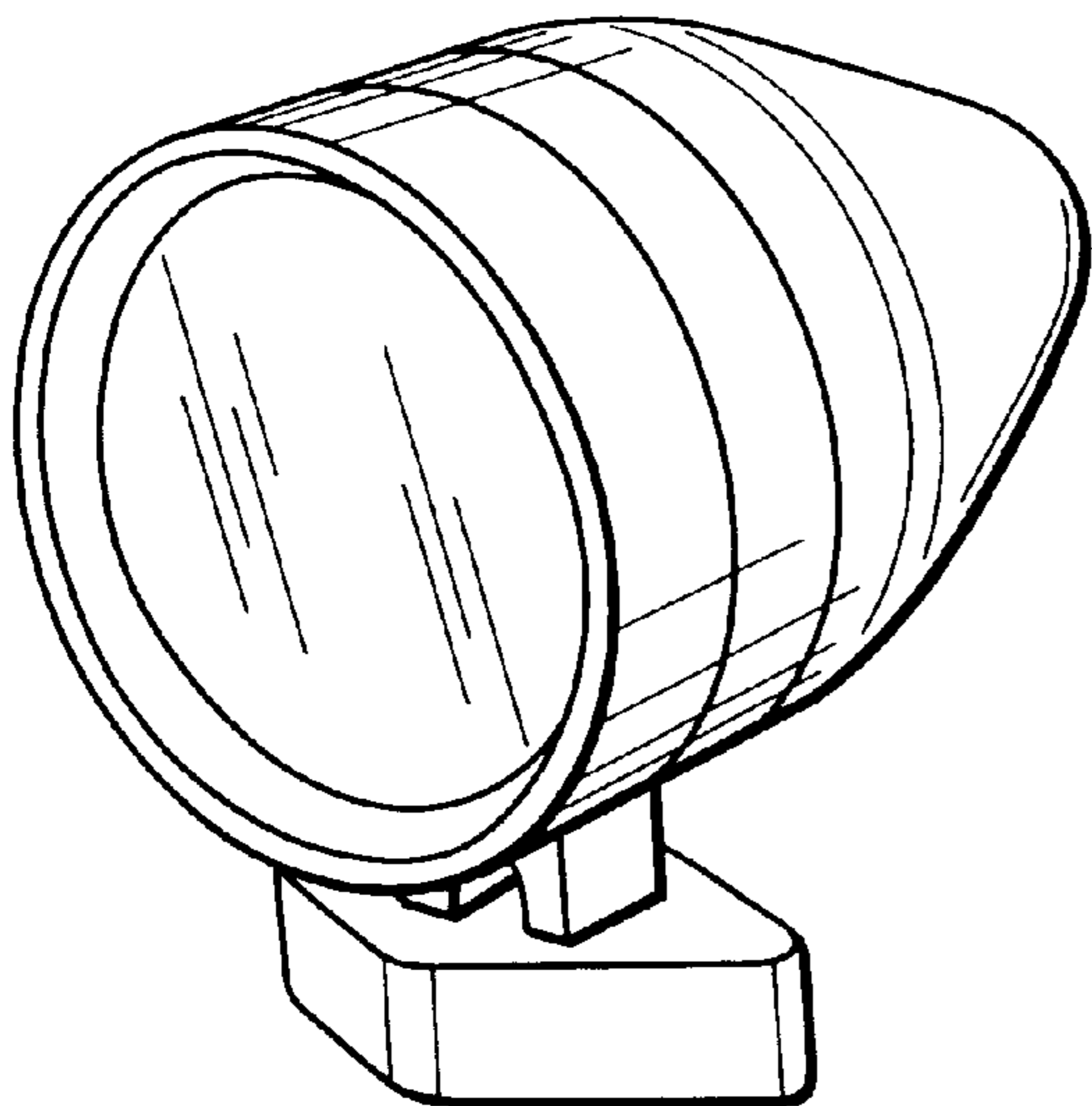
FIG. 24 is a front view thereof,

FIG. 25 is a bottom view thereof,

FIG. 26 is a rear view thereof; and,

FIGS. 27 and 28 are respective side views thereof.

**1 Claim, 8 Drawing Sheets**



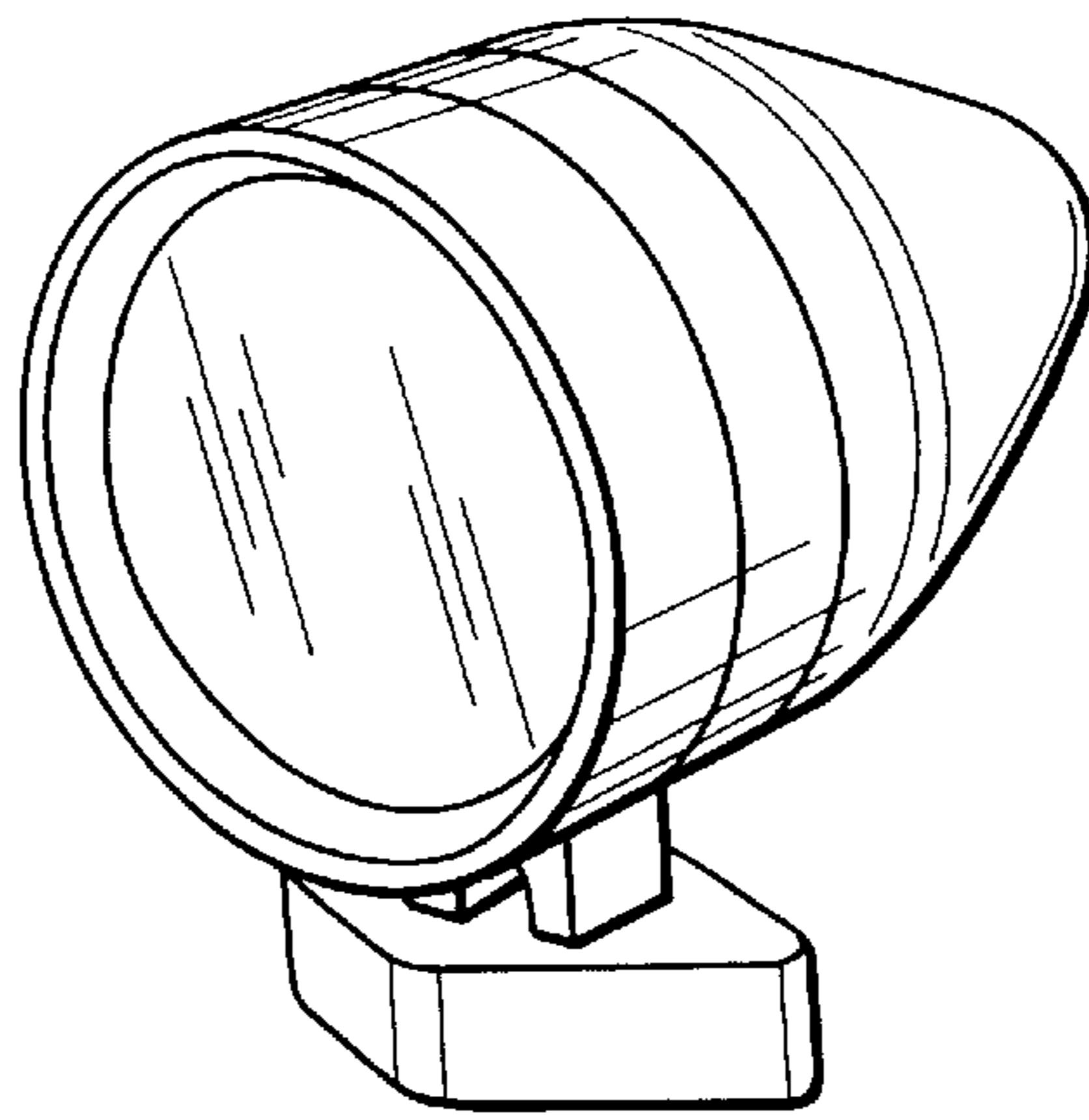


FIG. 1

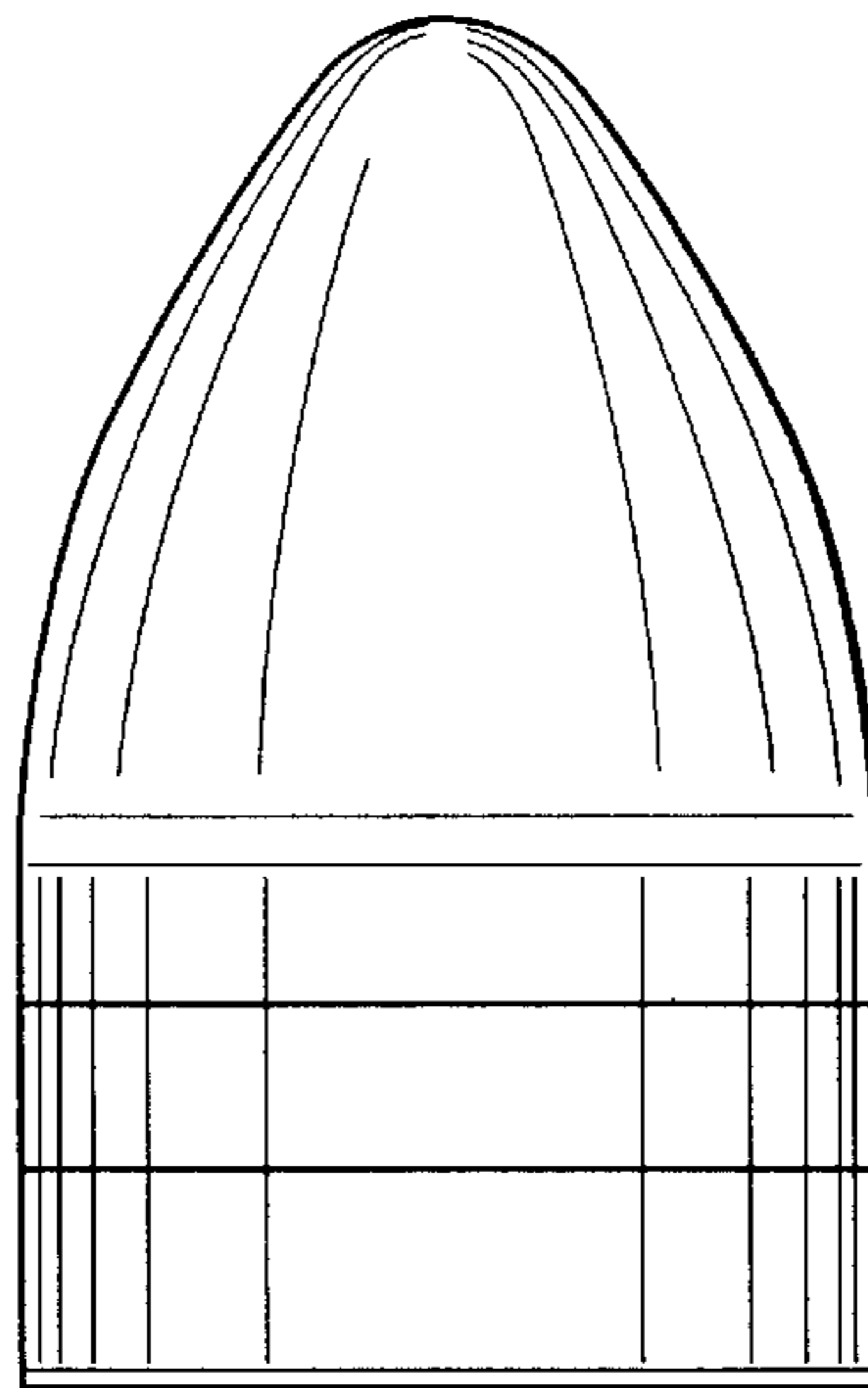


FIG. 2

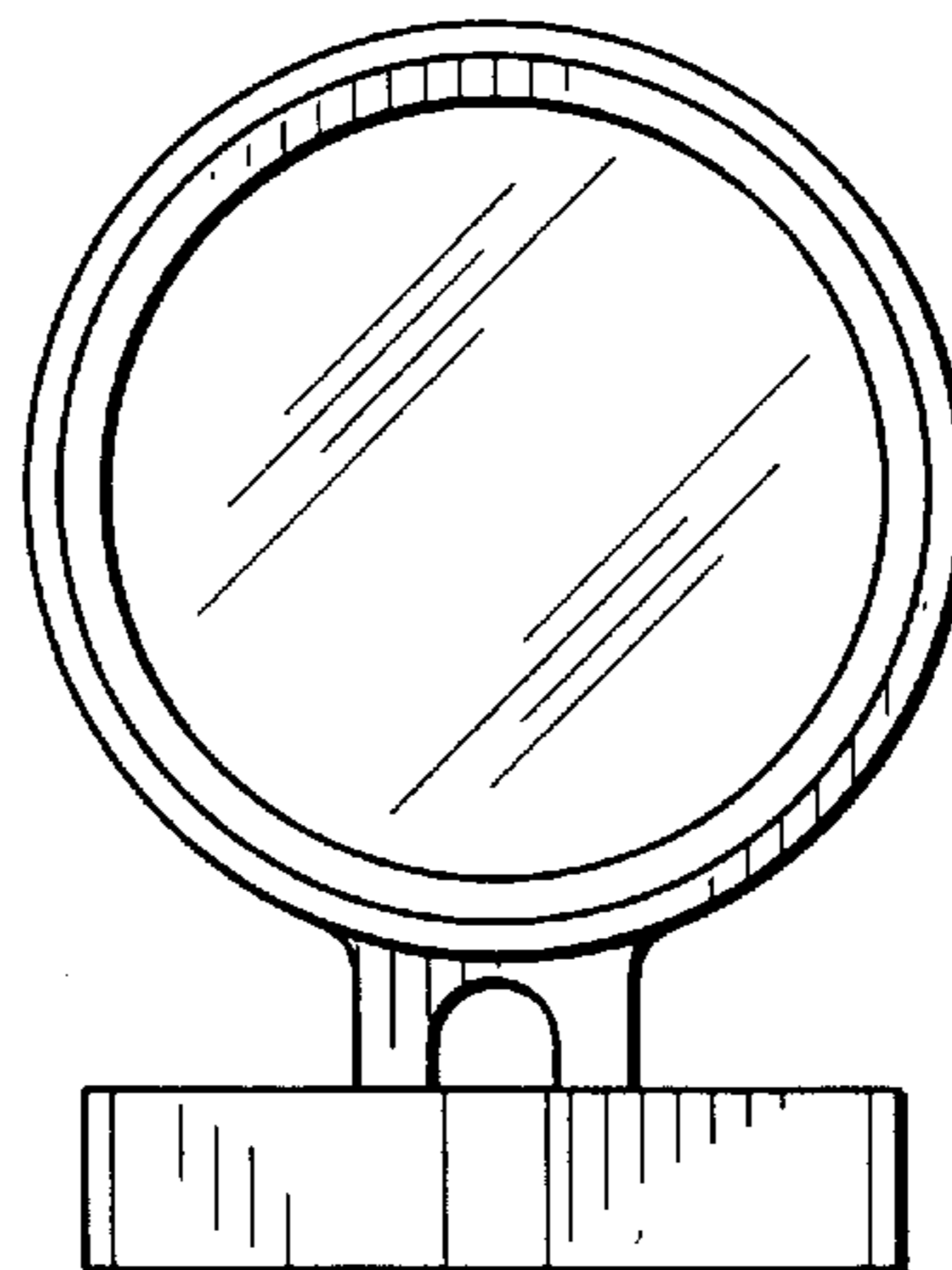


FIG. 3

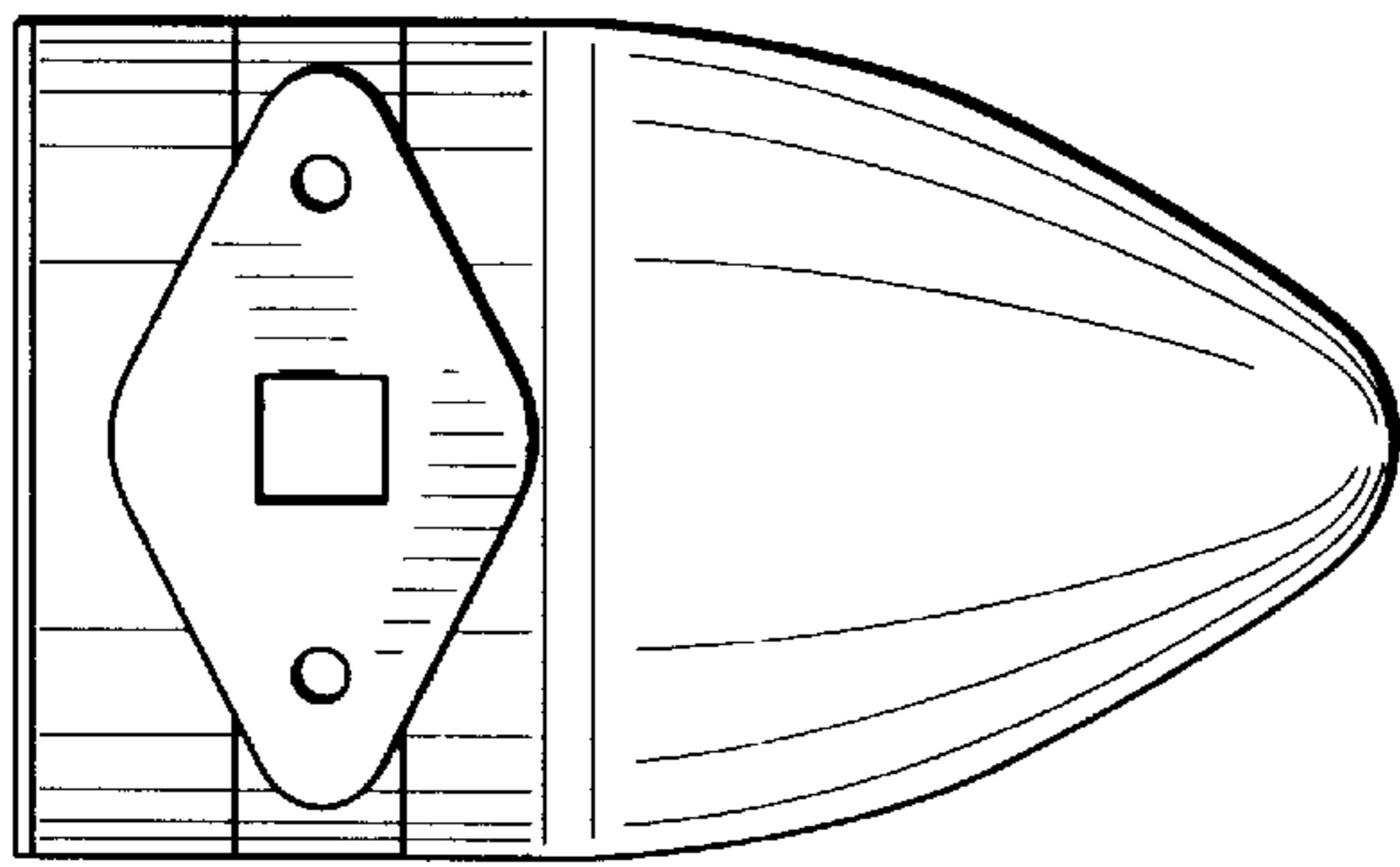


FIG. 4

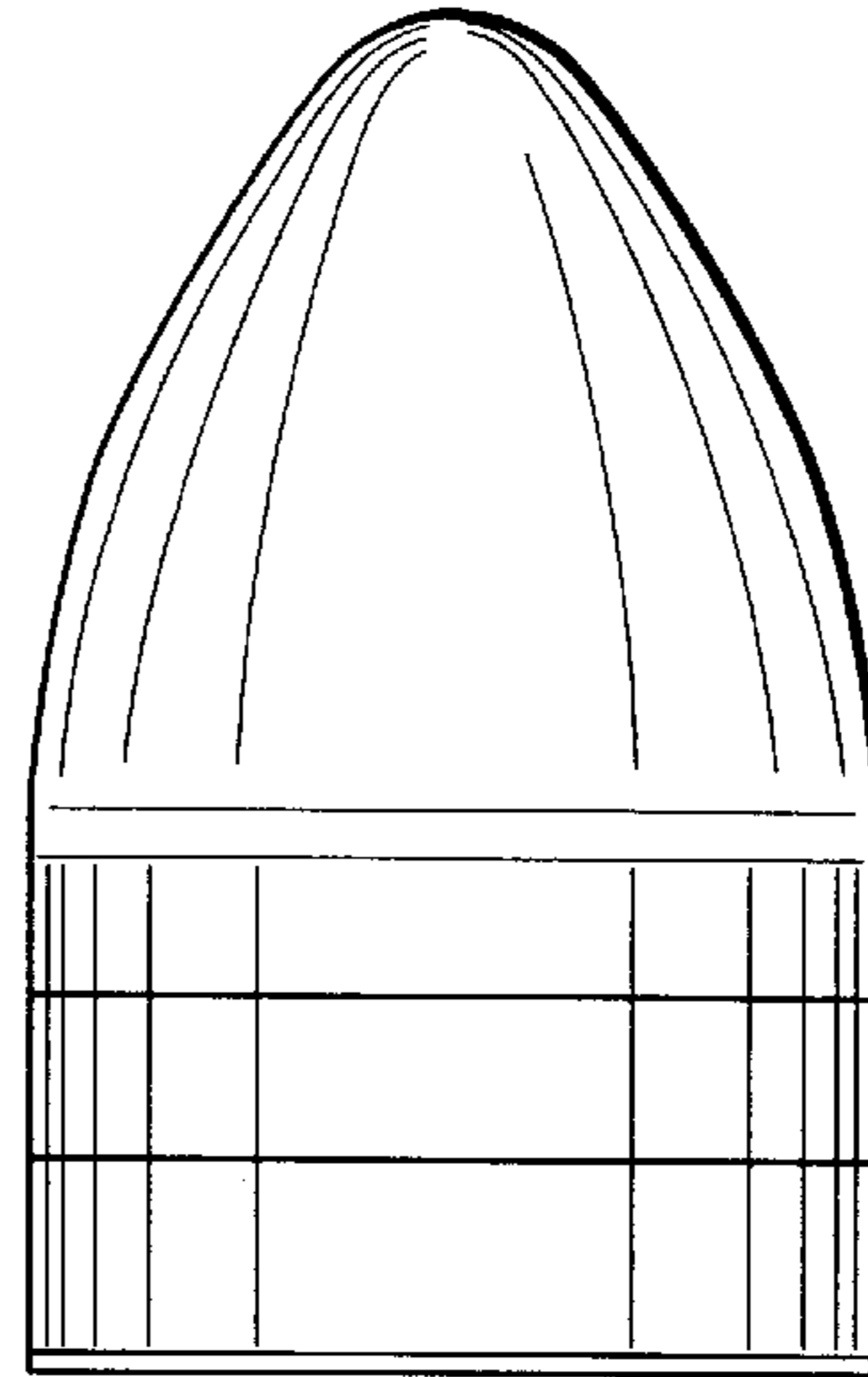


FIG. 7

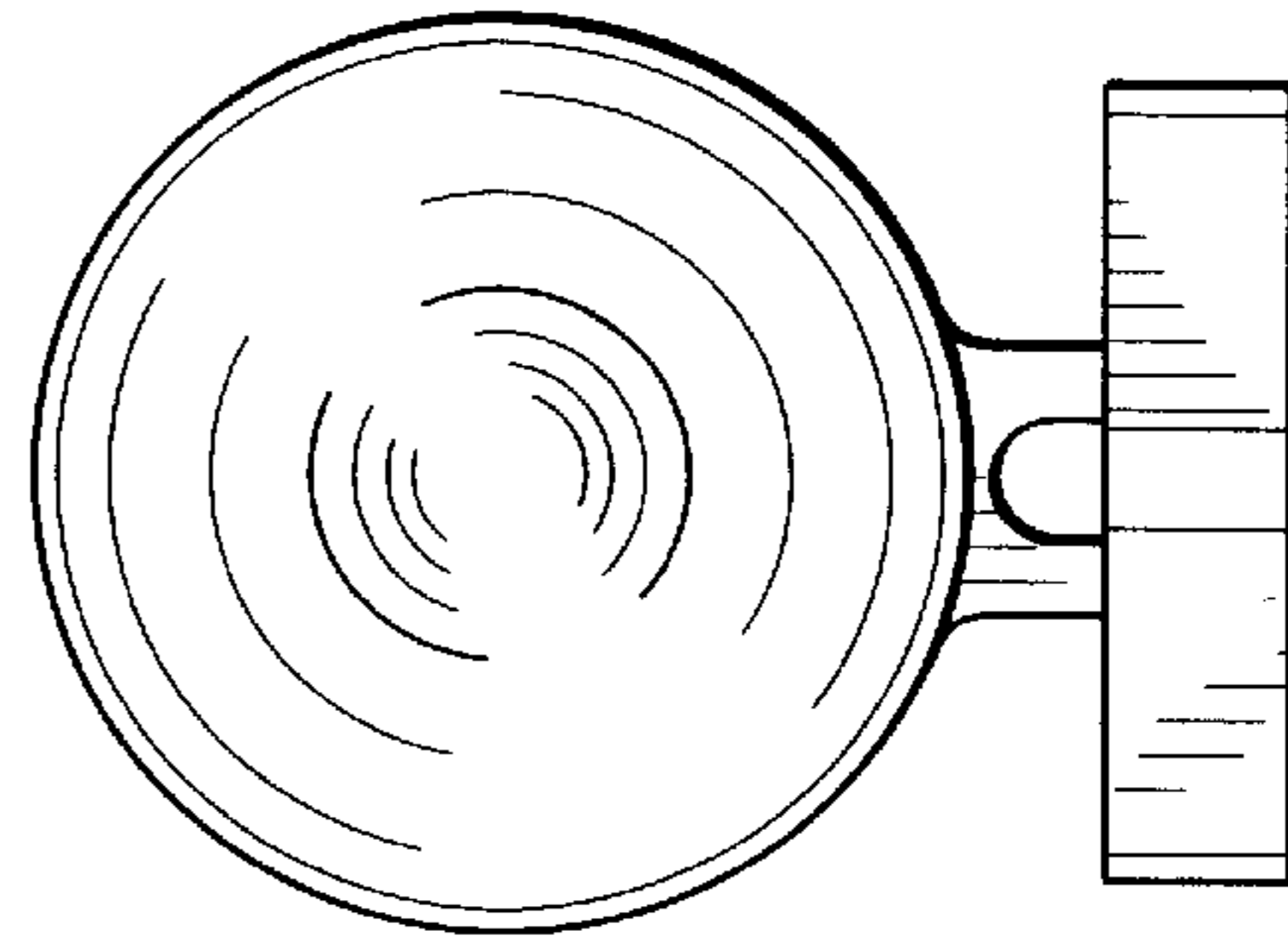


FIG. 5

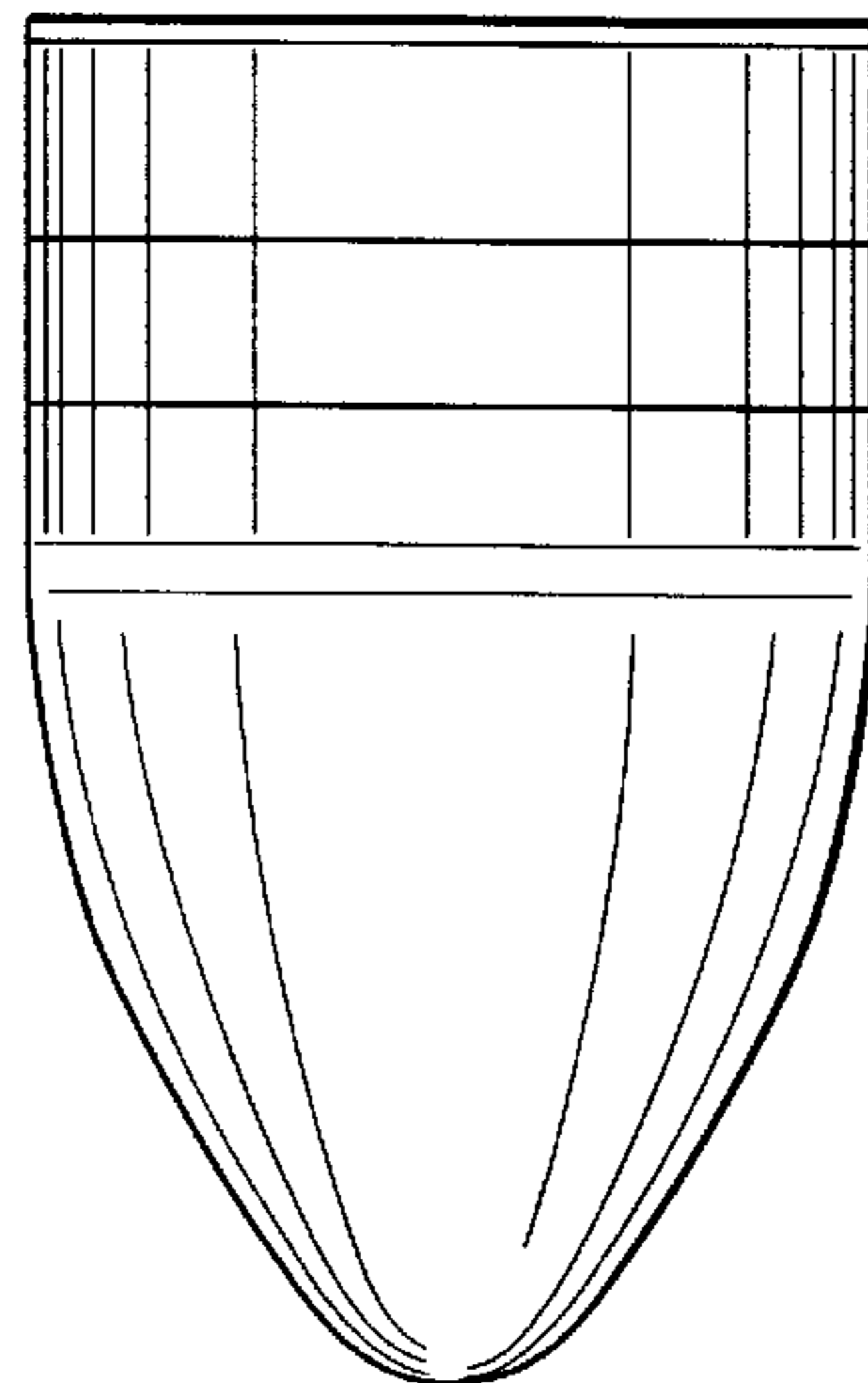
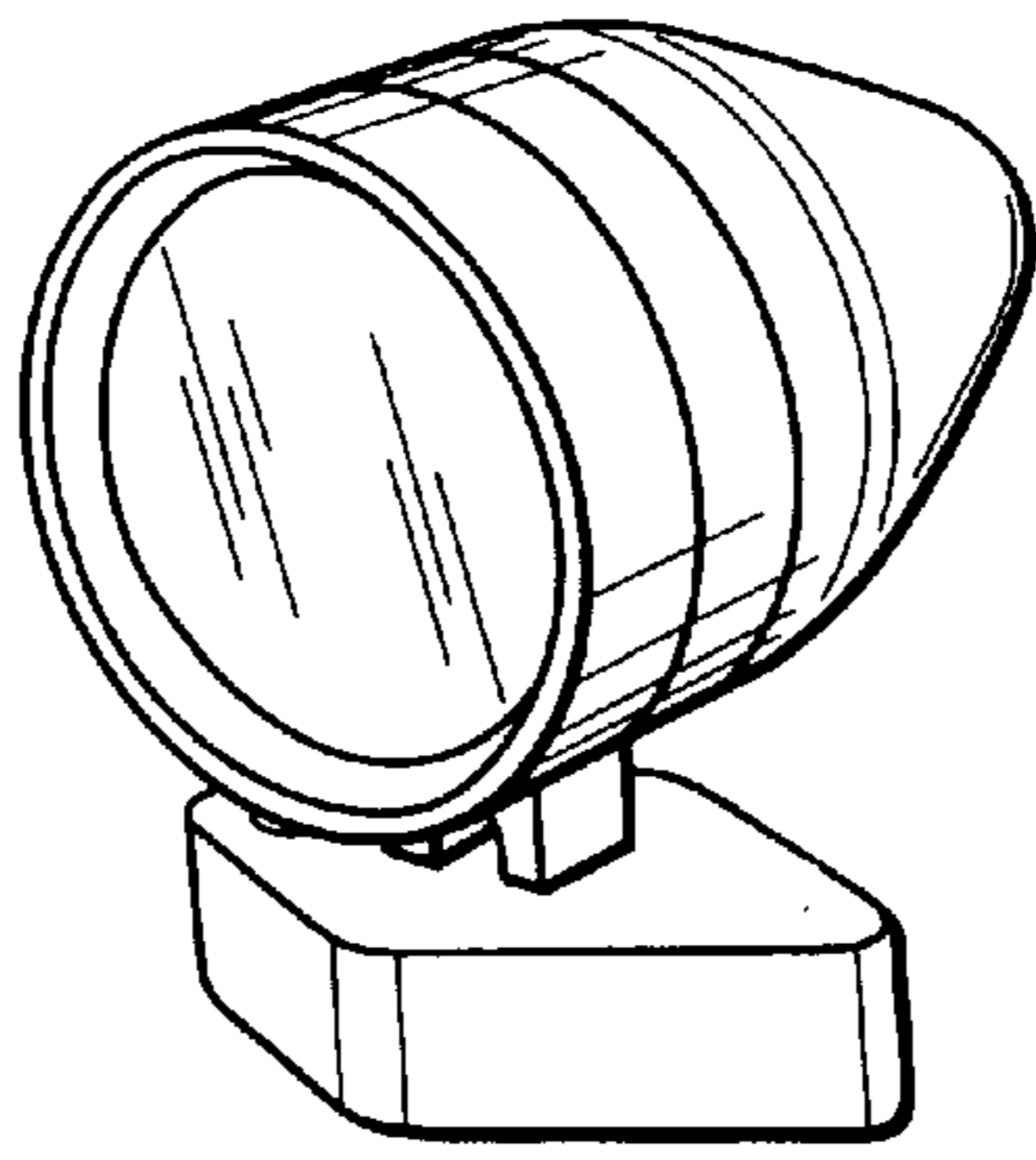
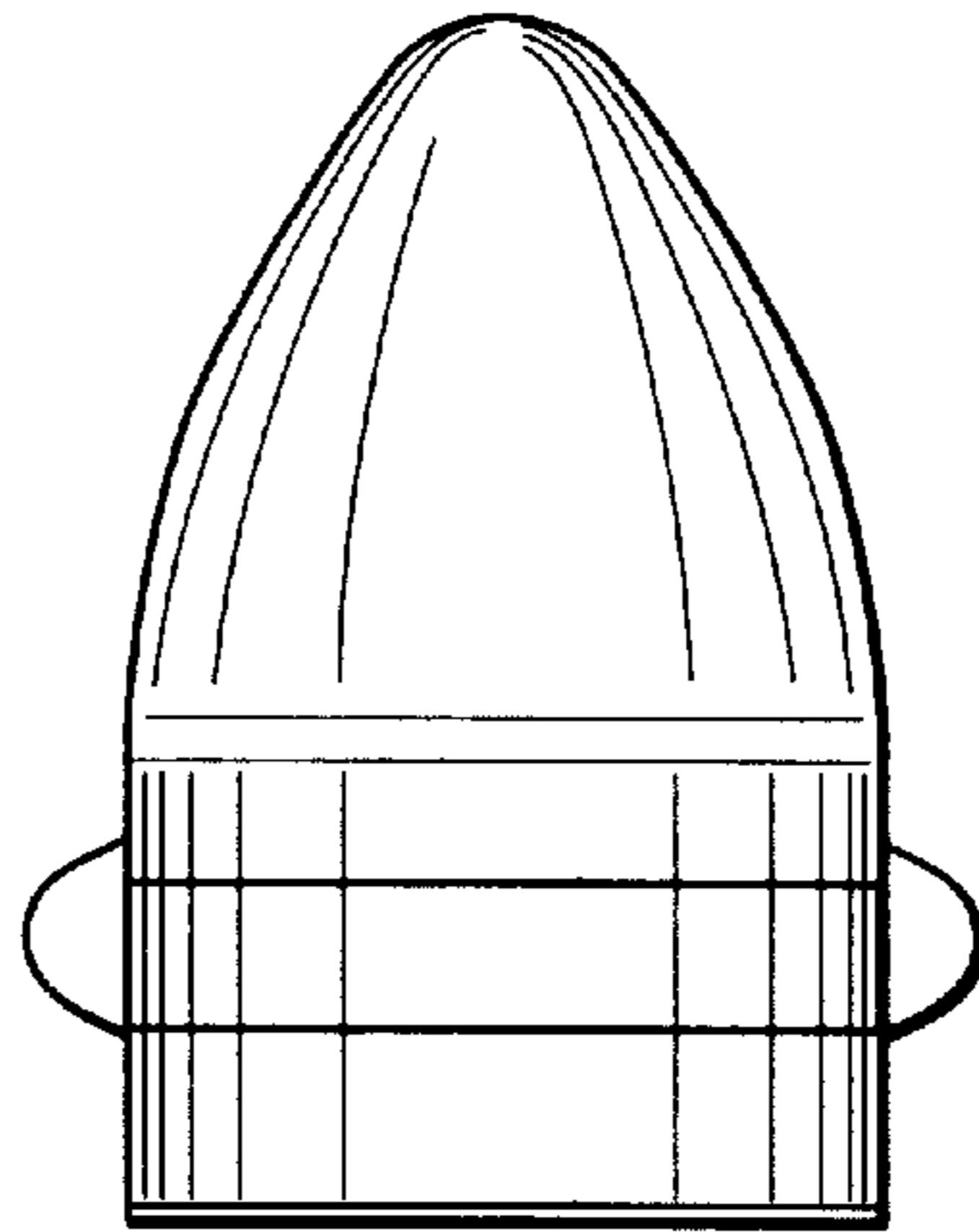


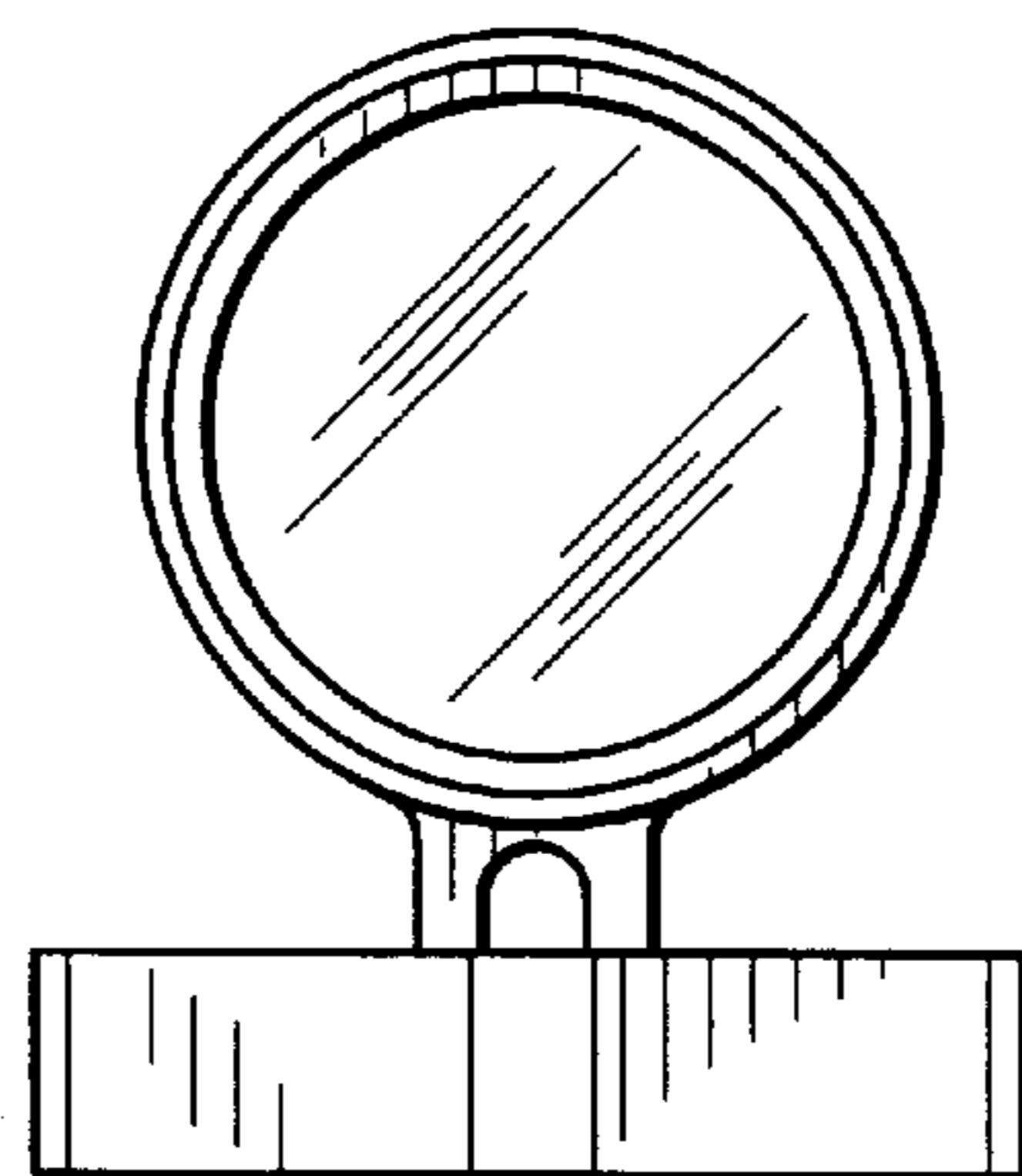
FIG. 6



**FIG. 8**



**FIG. 9**



**FIG. 10**

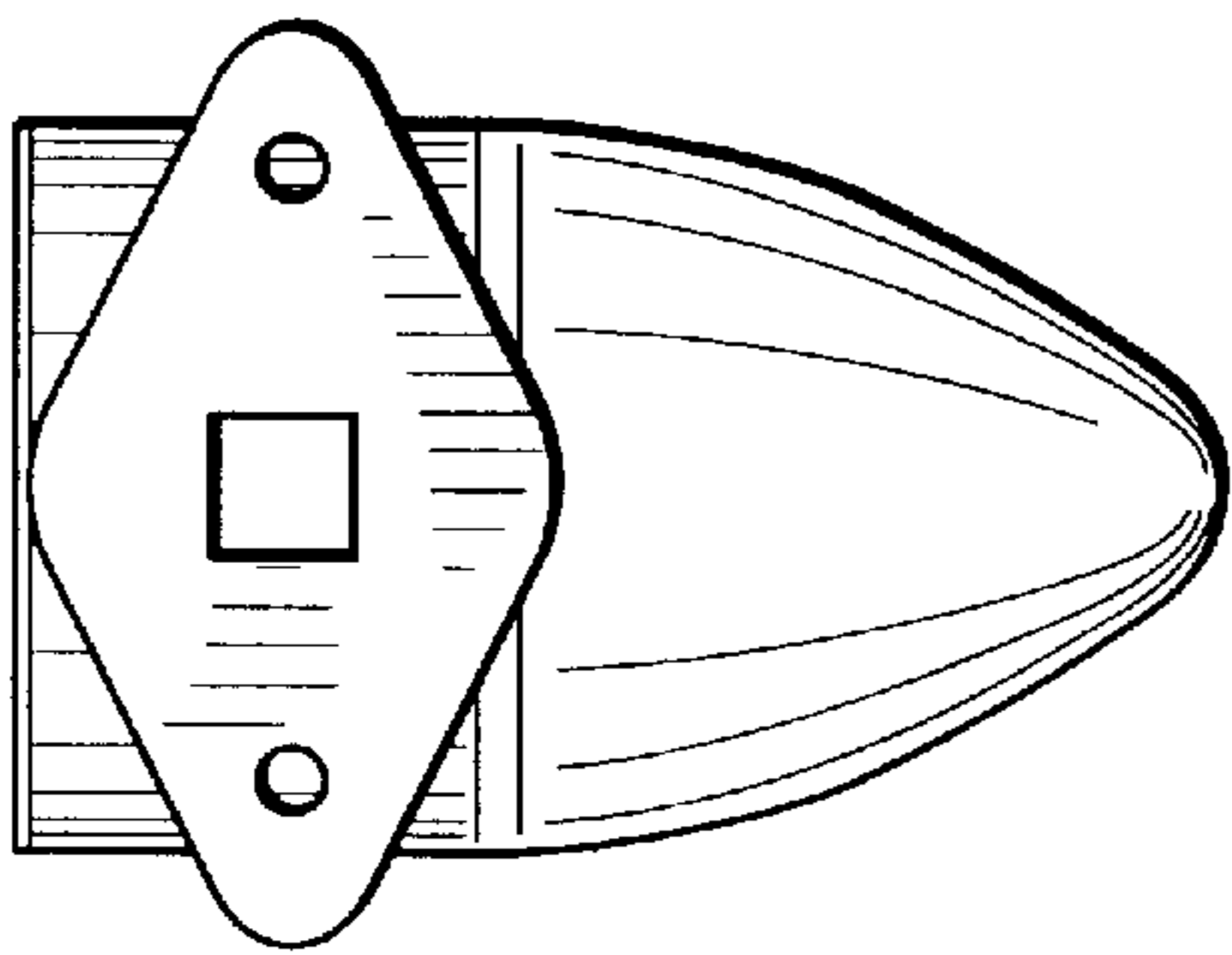


FIG. 11

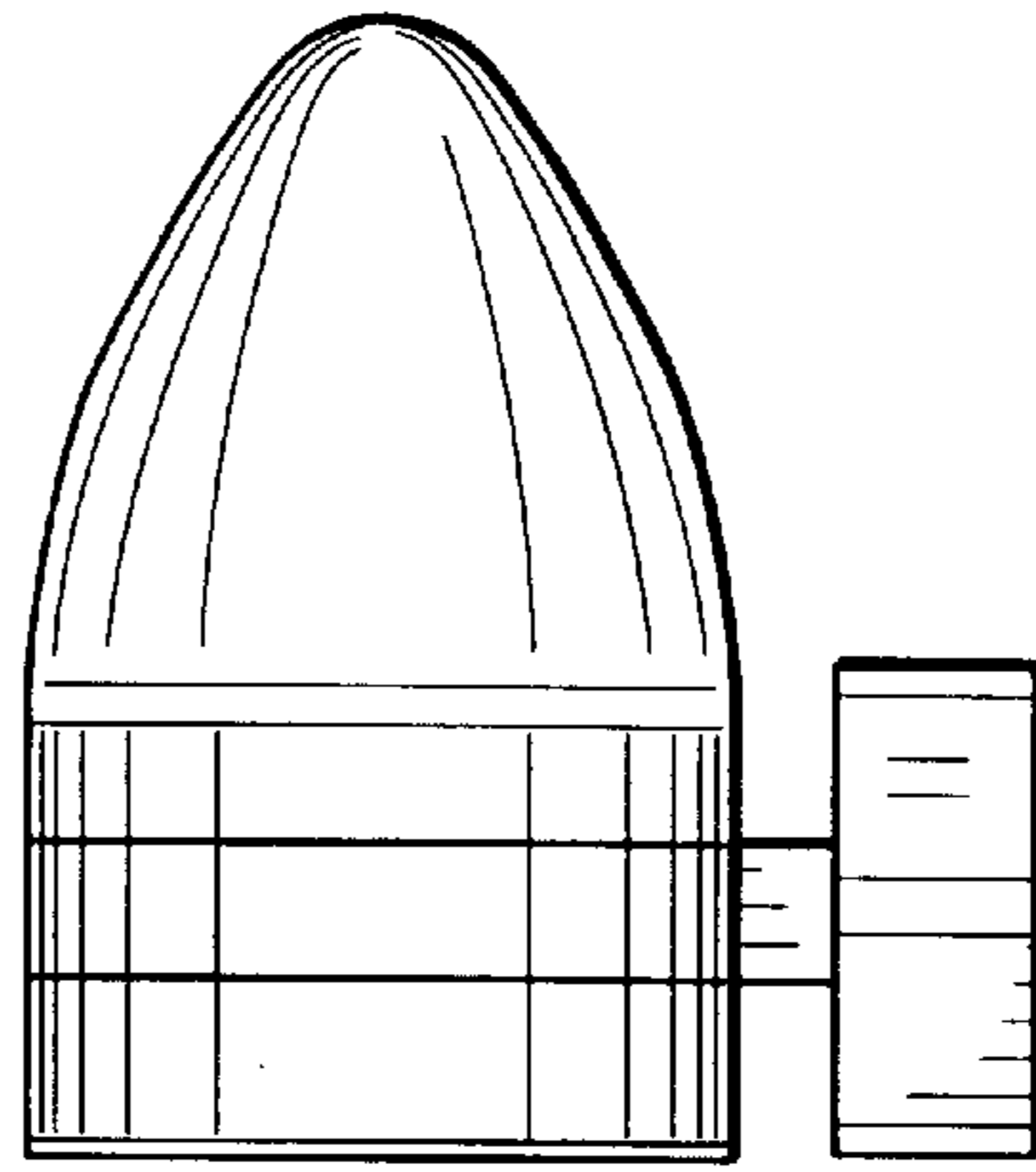


FIG. 14

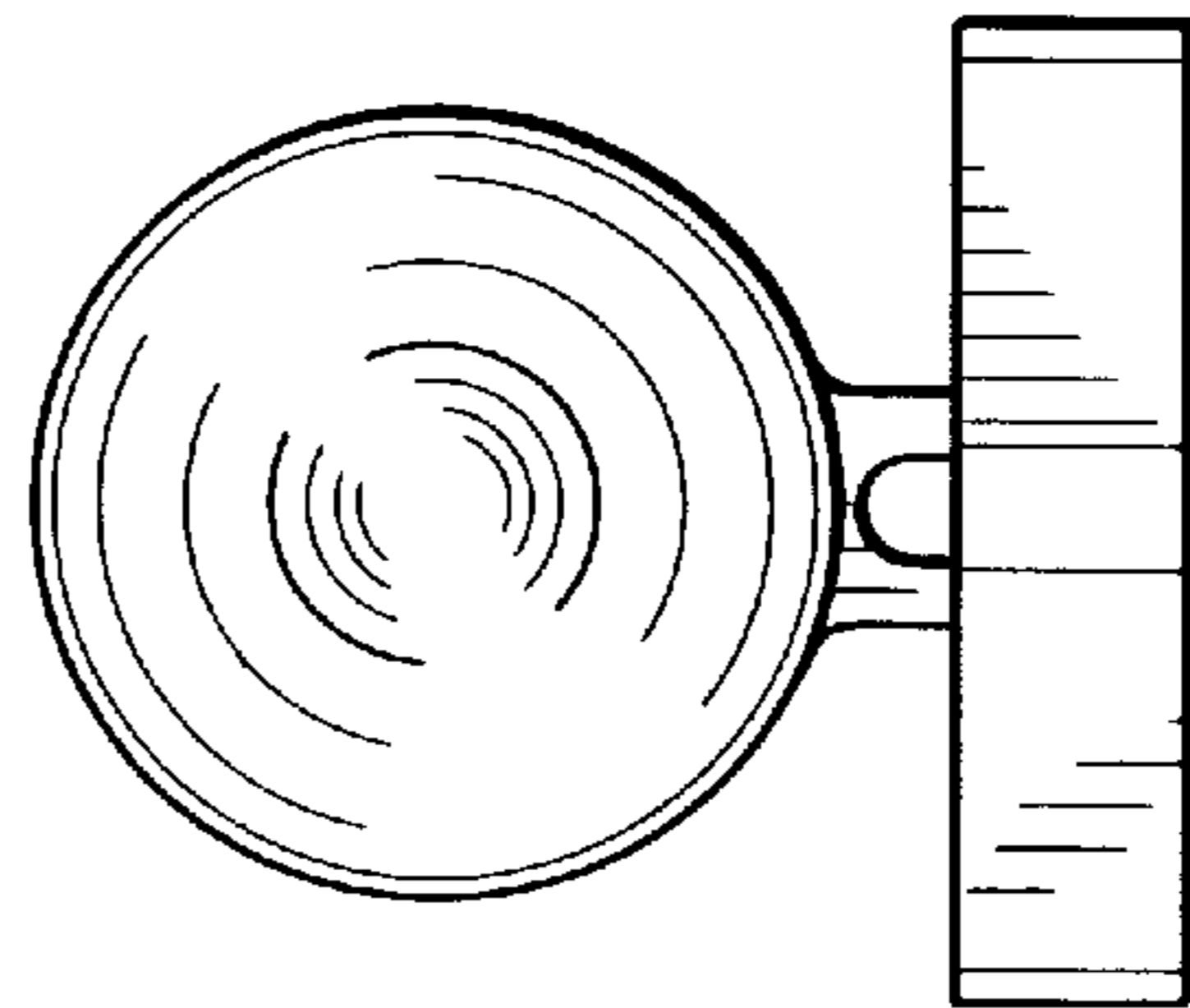


FIG. 12

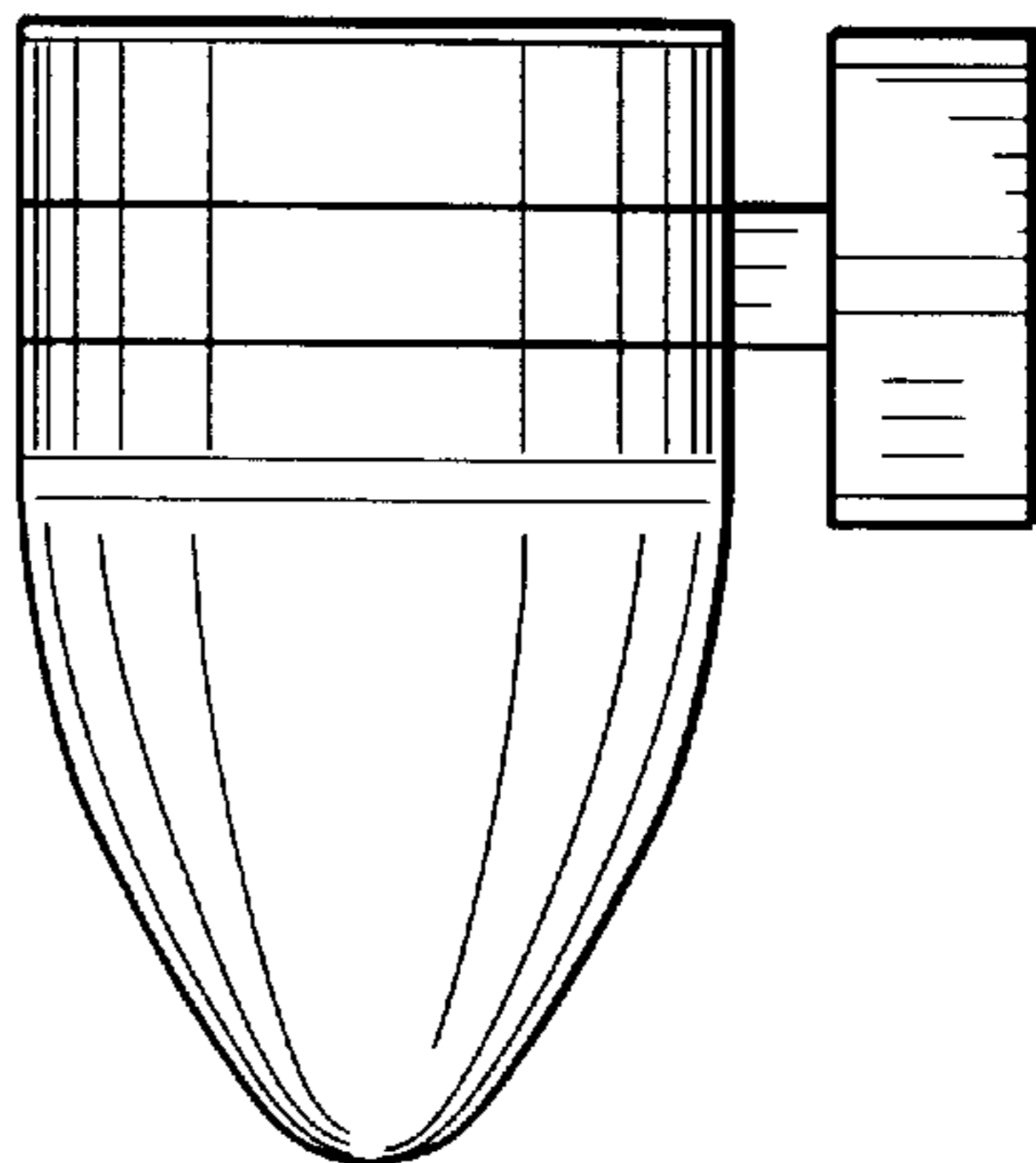


FIG. 13

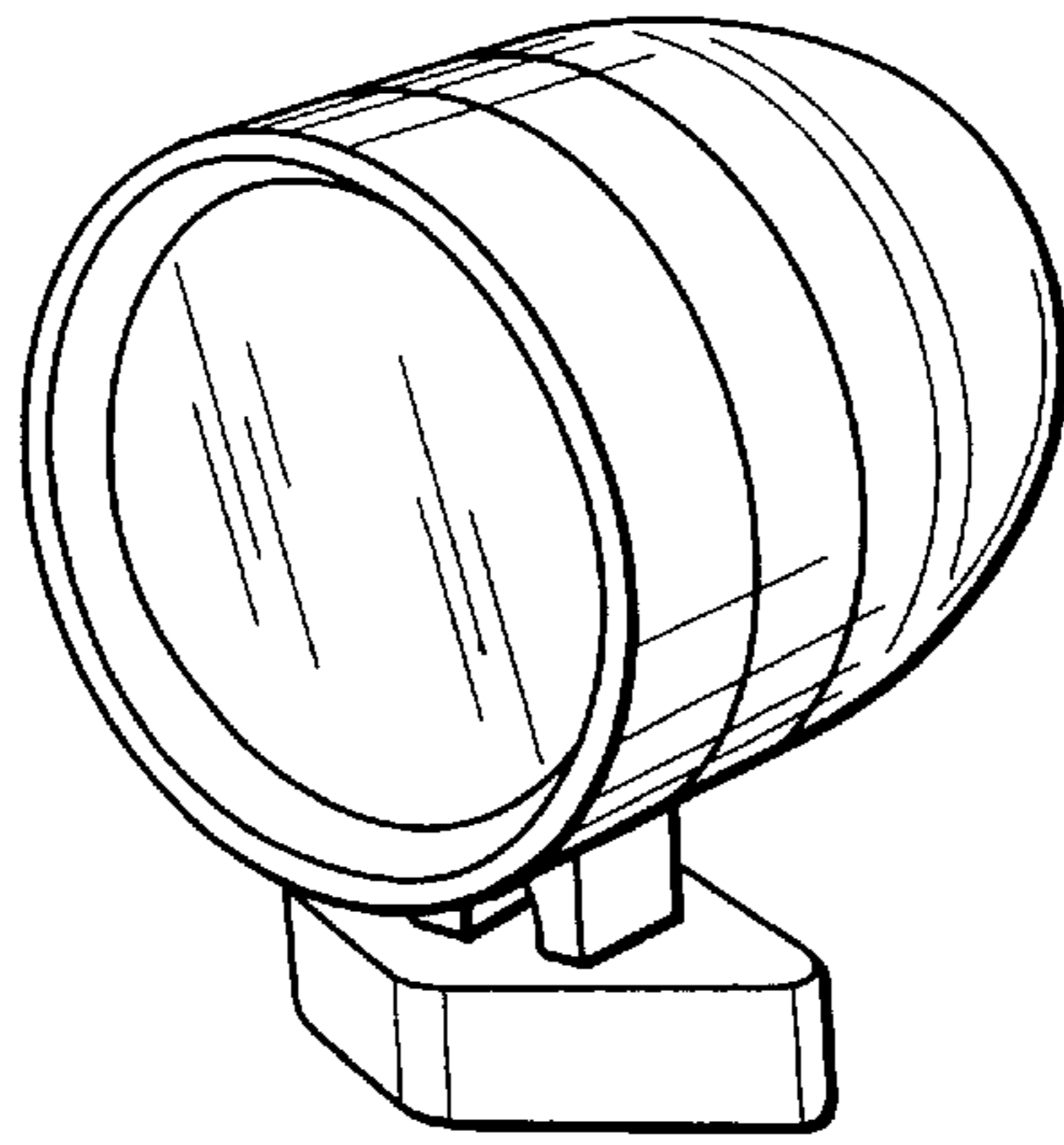


FIG. 15

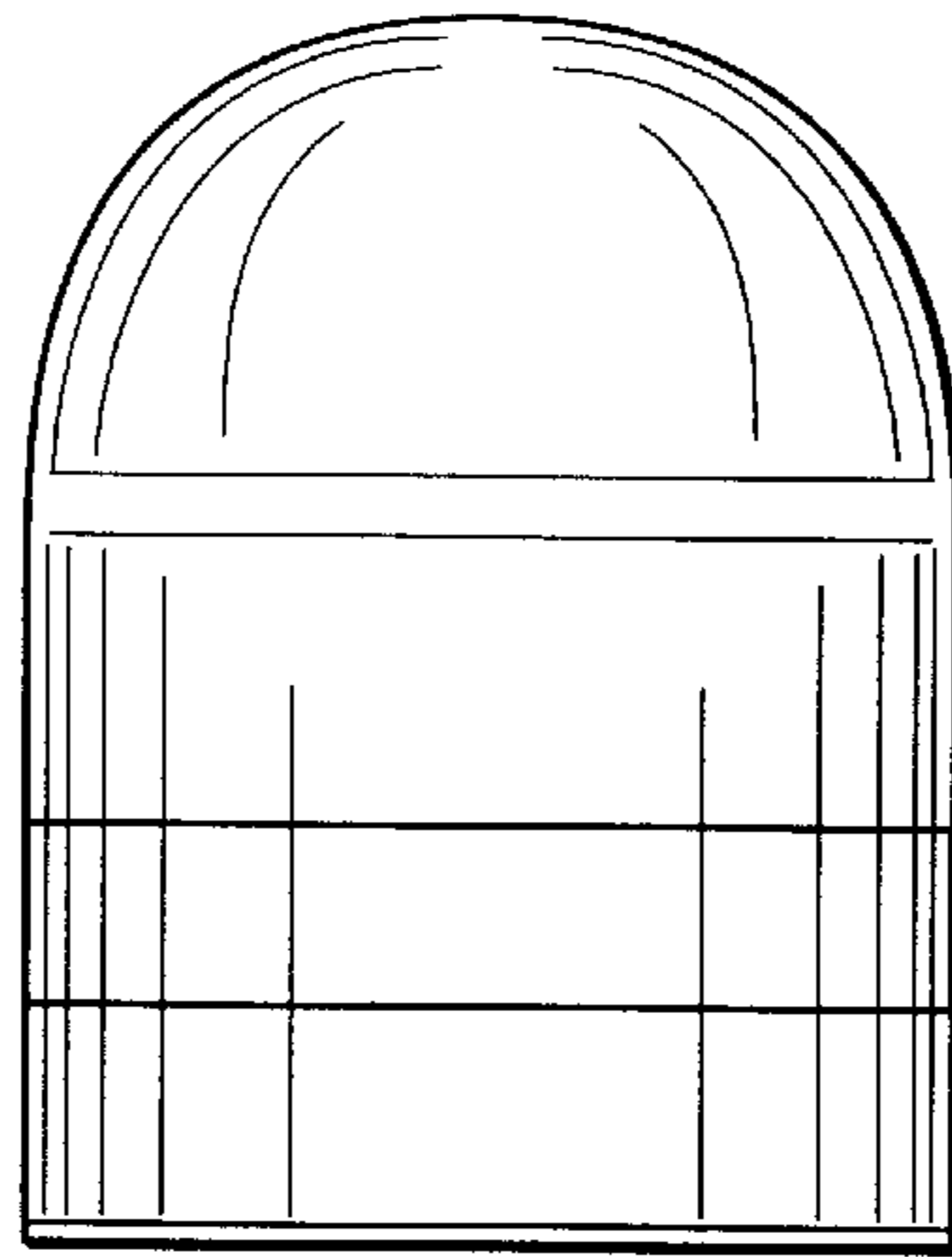


FIG. 16

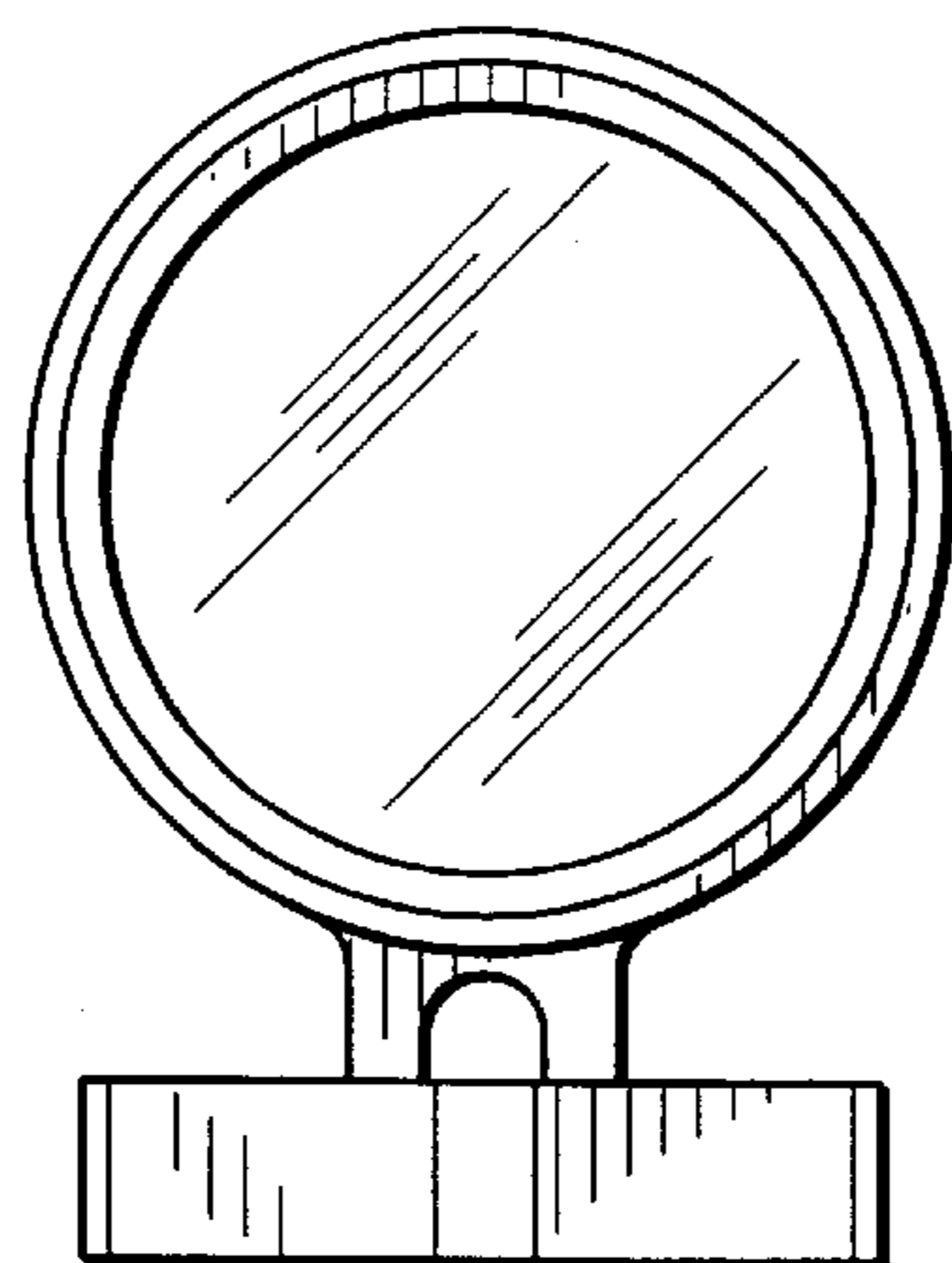


FIG. 17

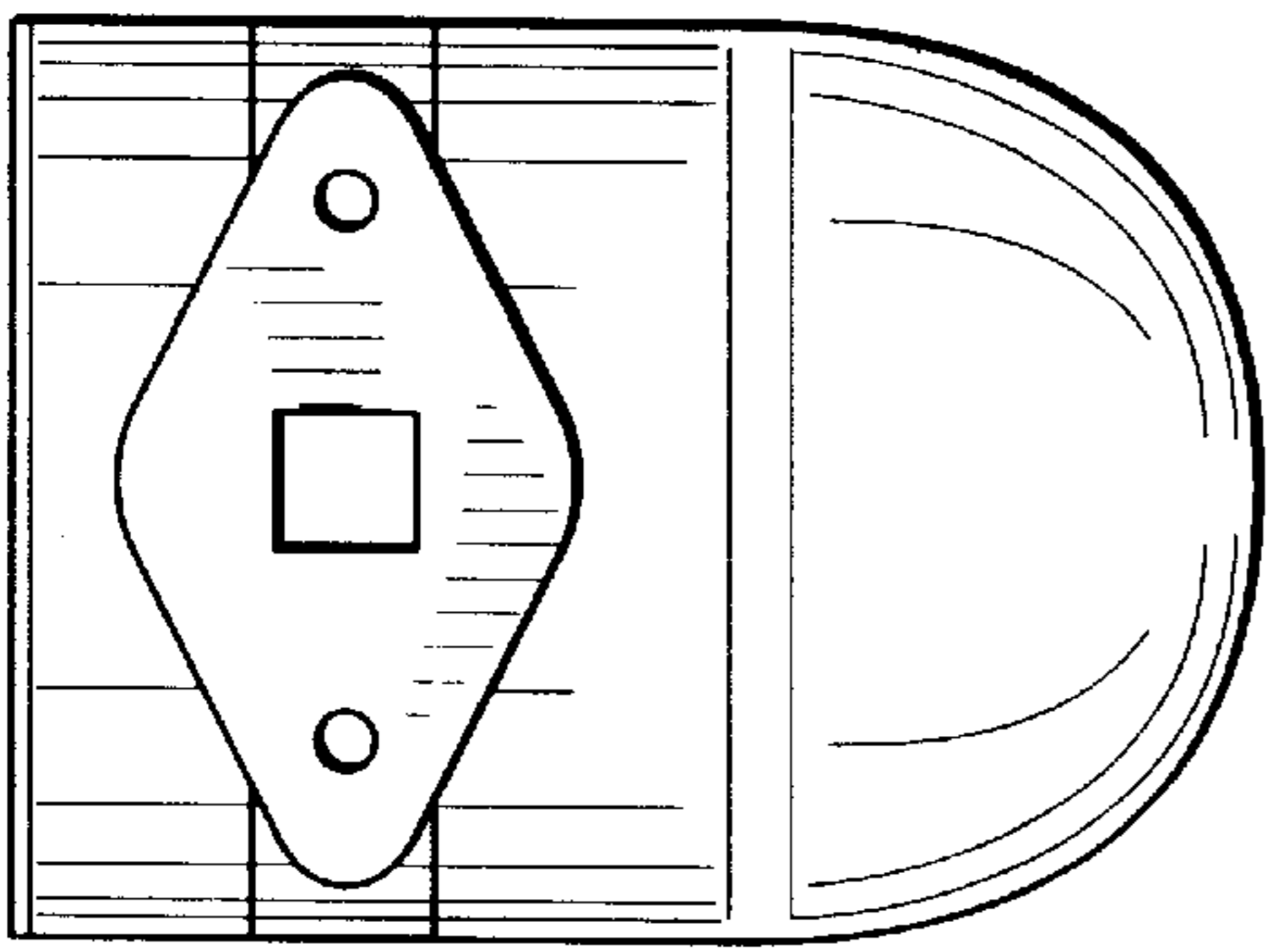


FIG. 18

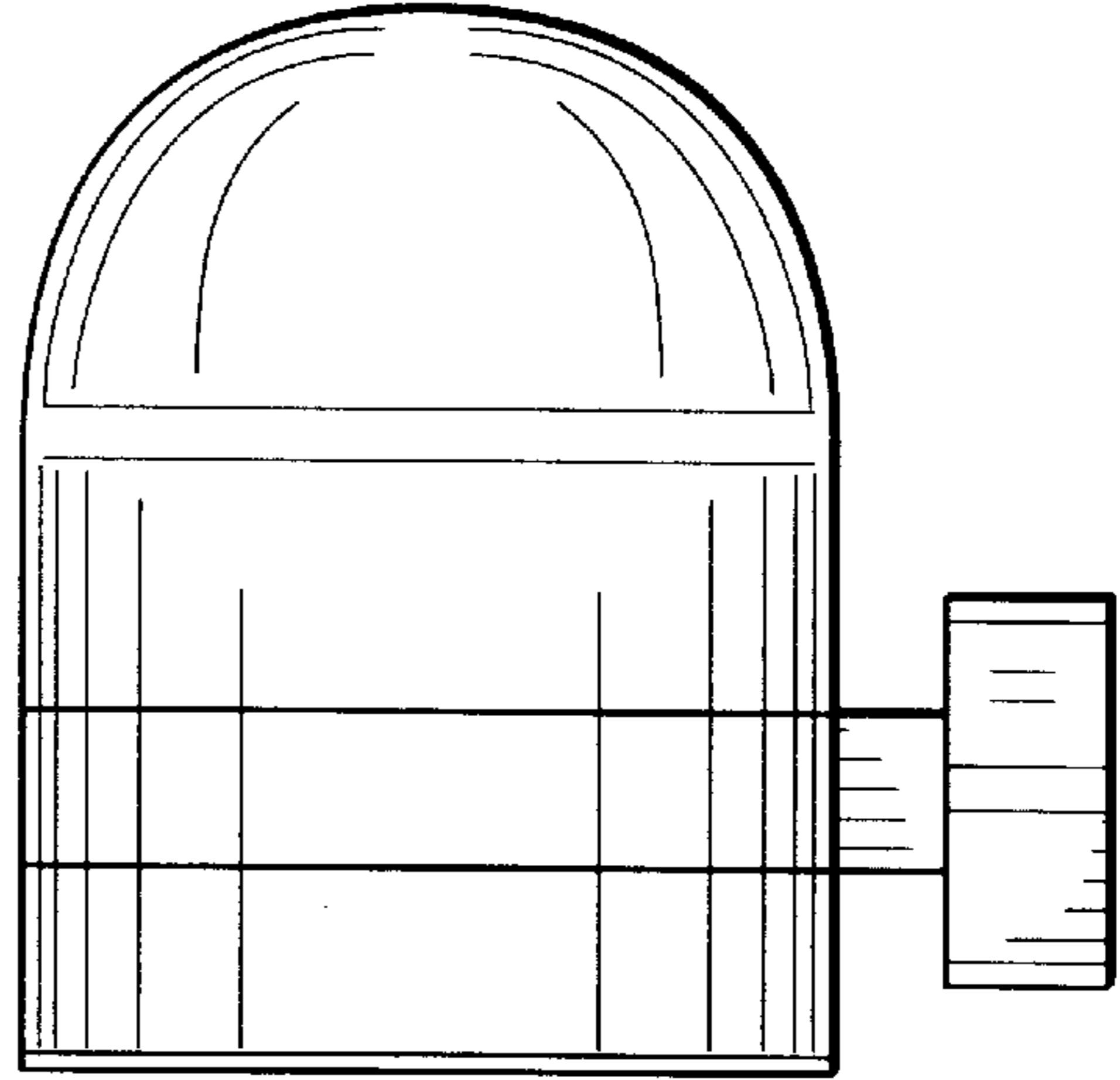


FIG. 21

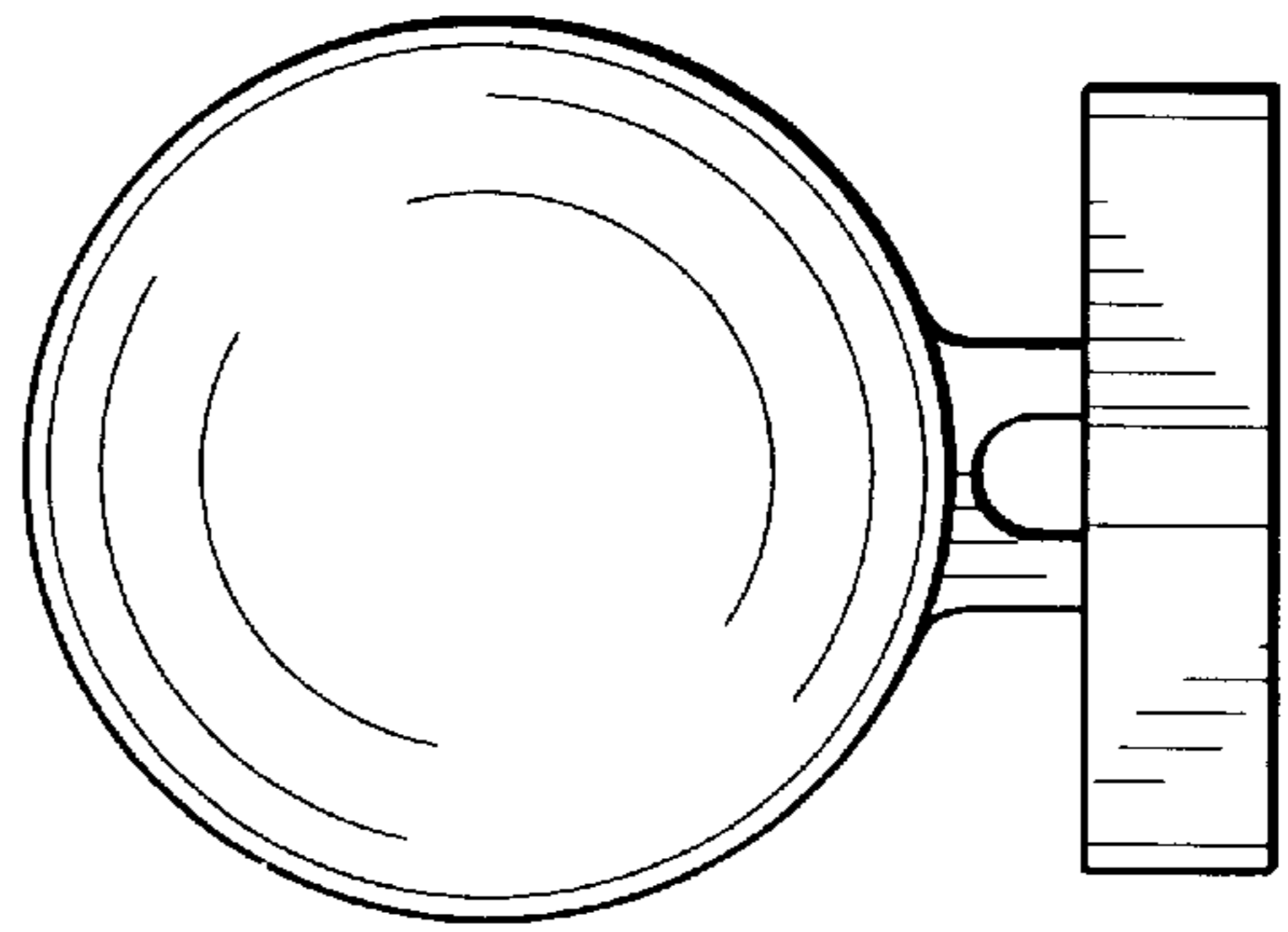


FIG. 19

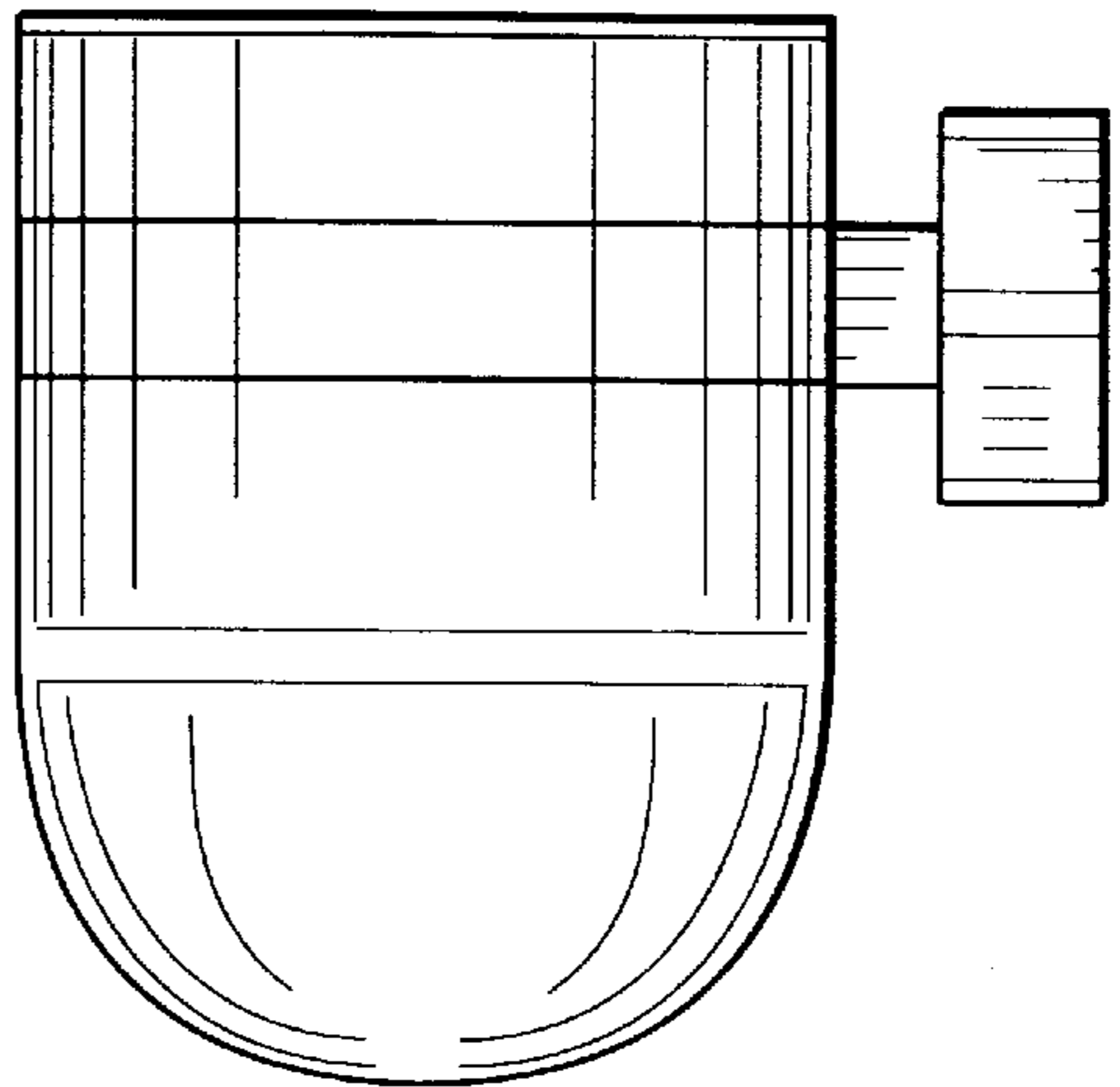


FIG. 20

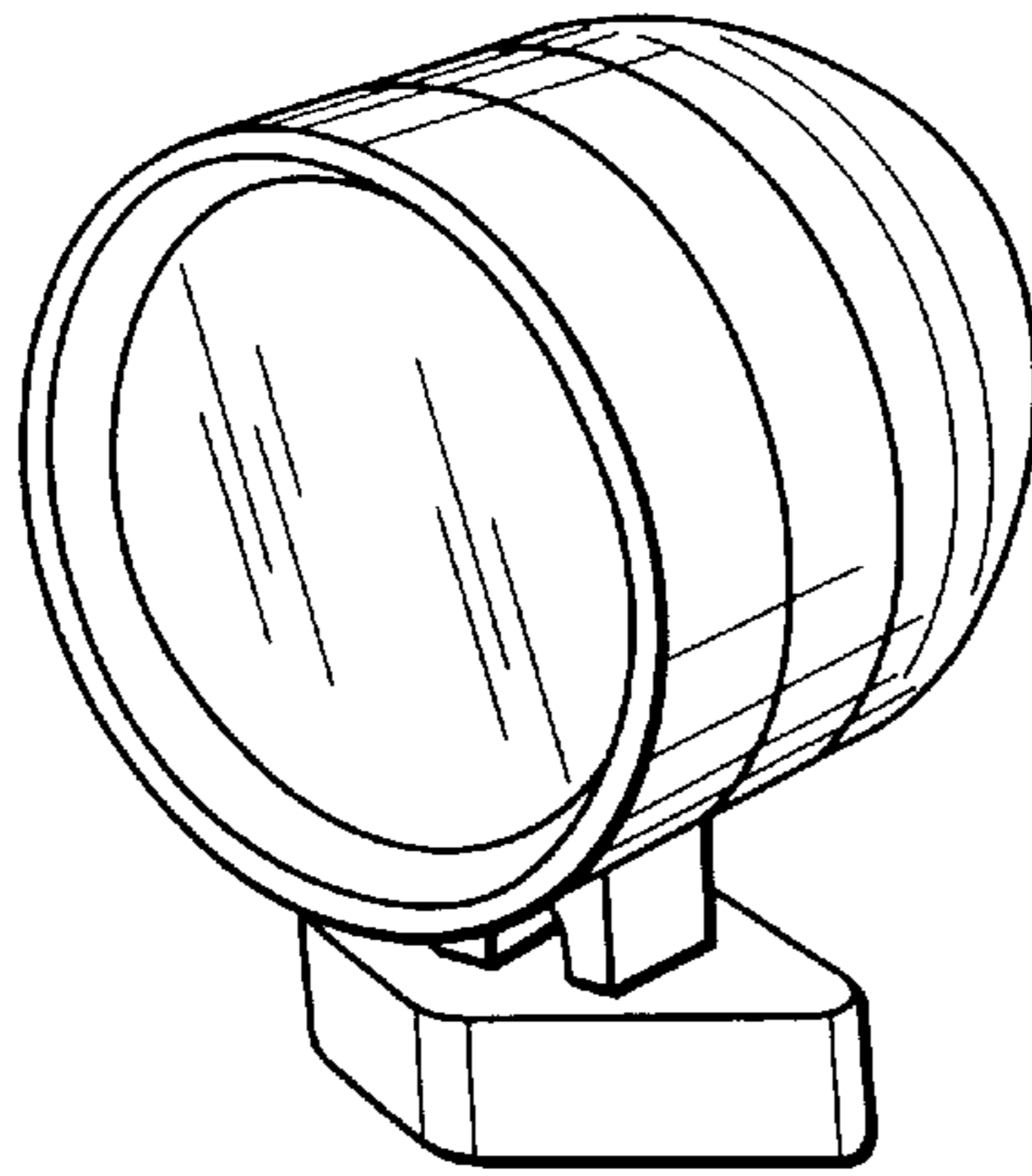


FIG. 22

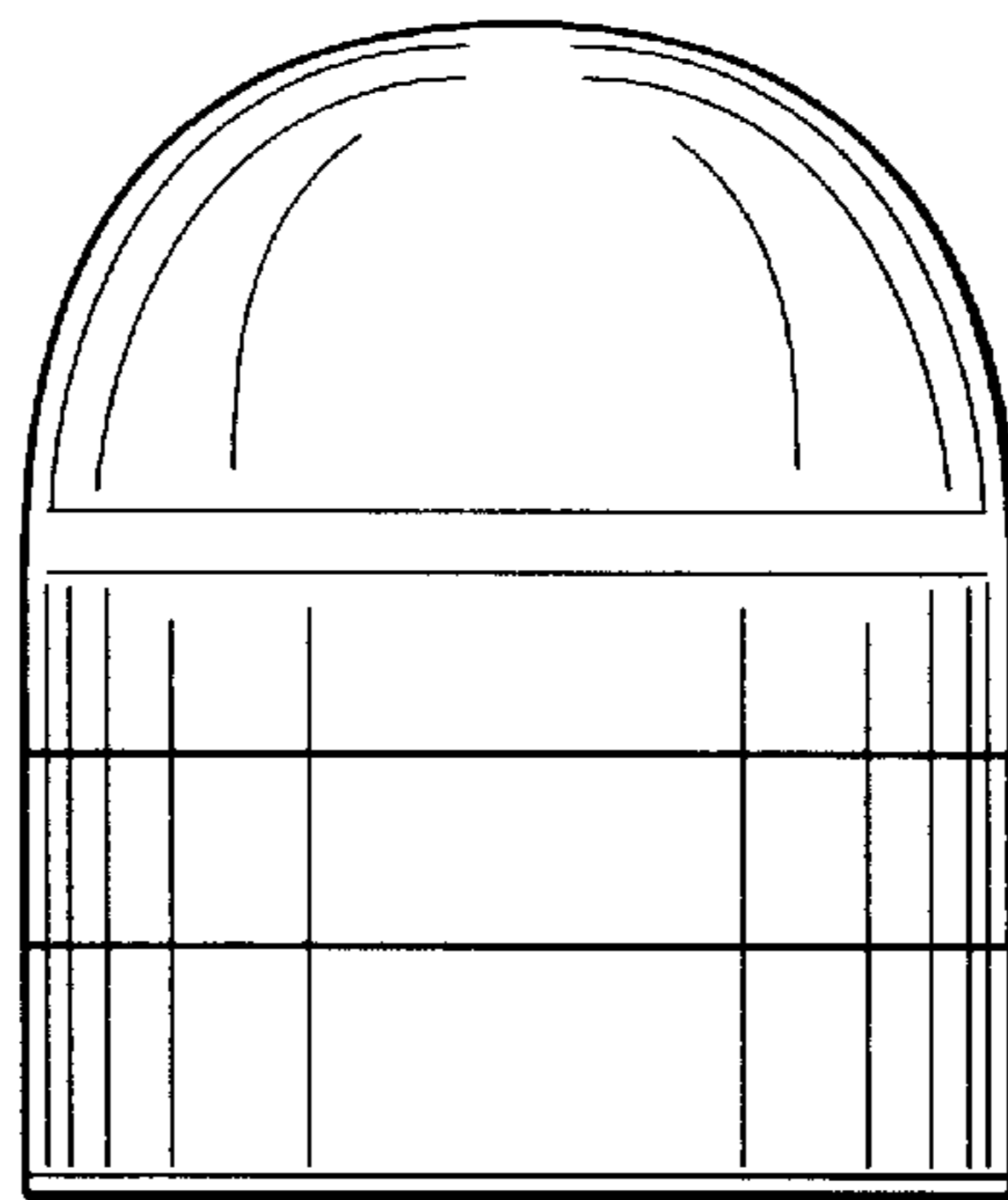


FIG. 23

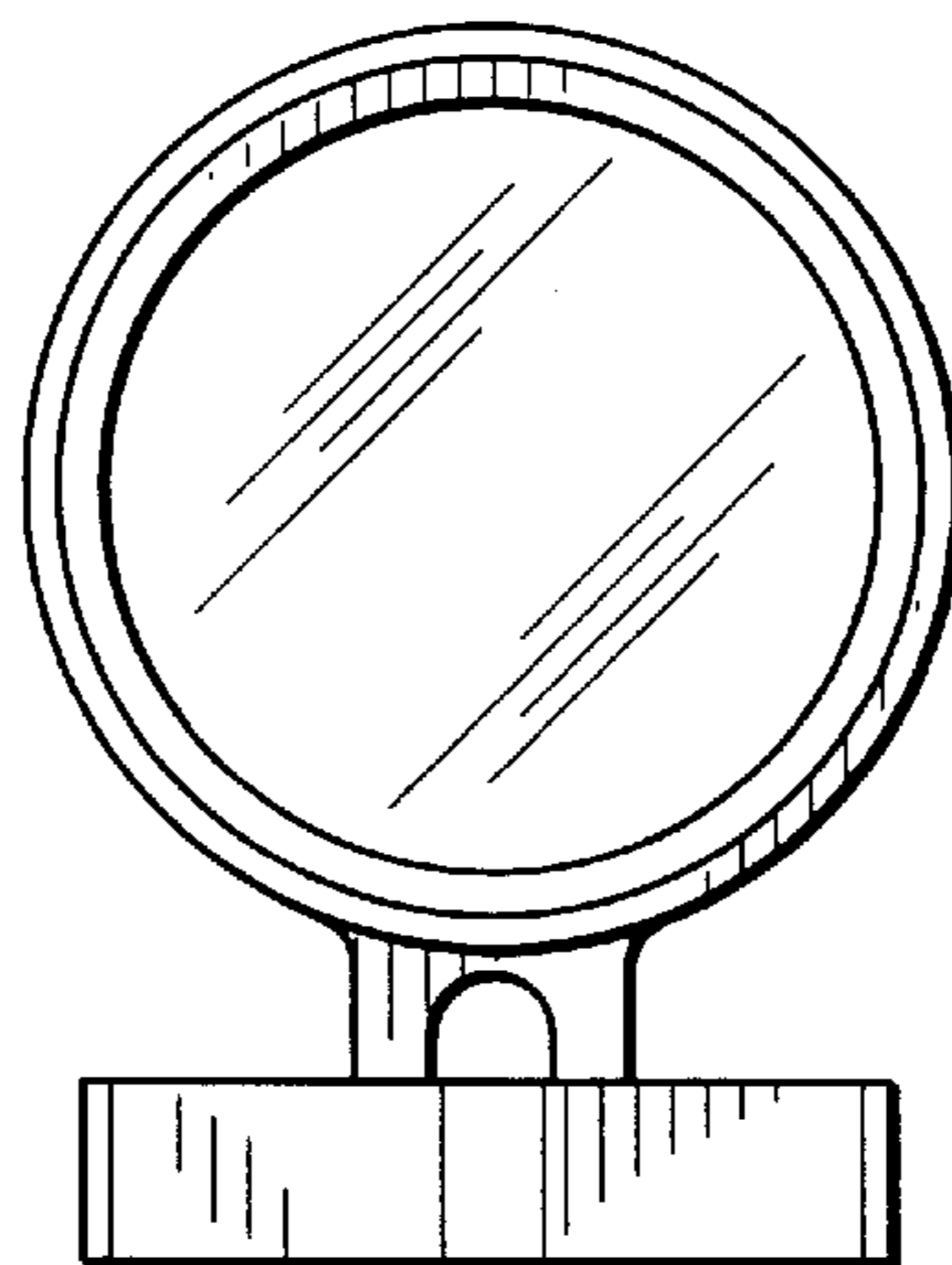


FIG. 24



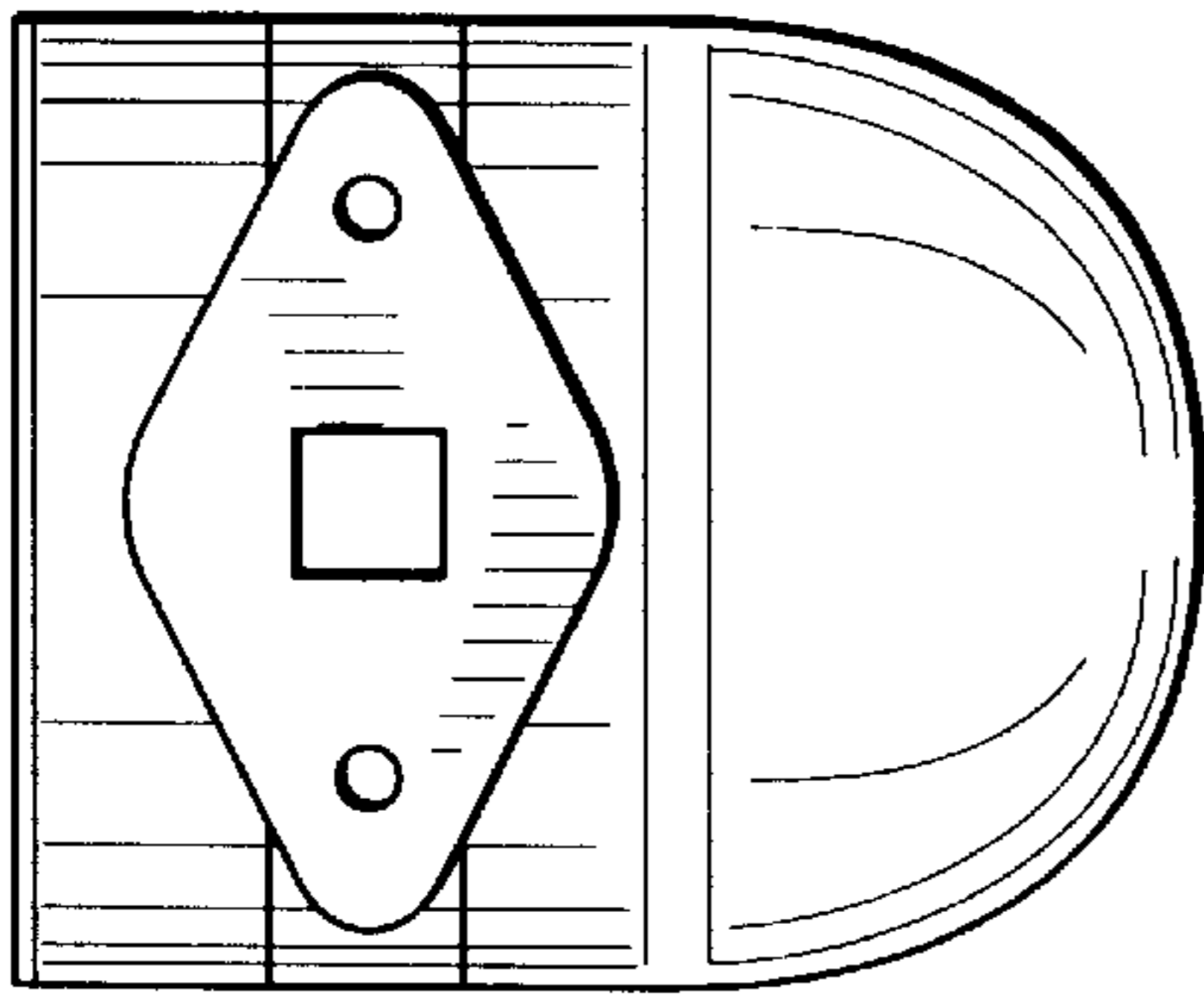


FIG. 25

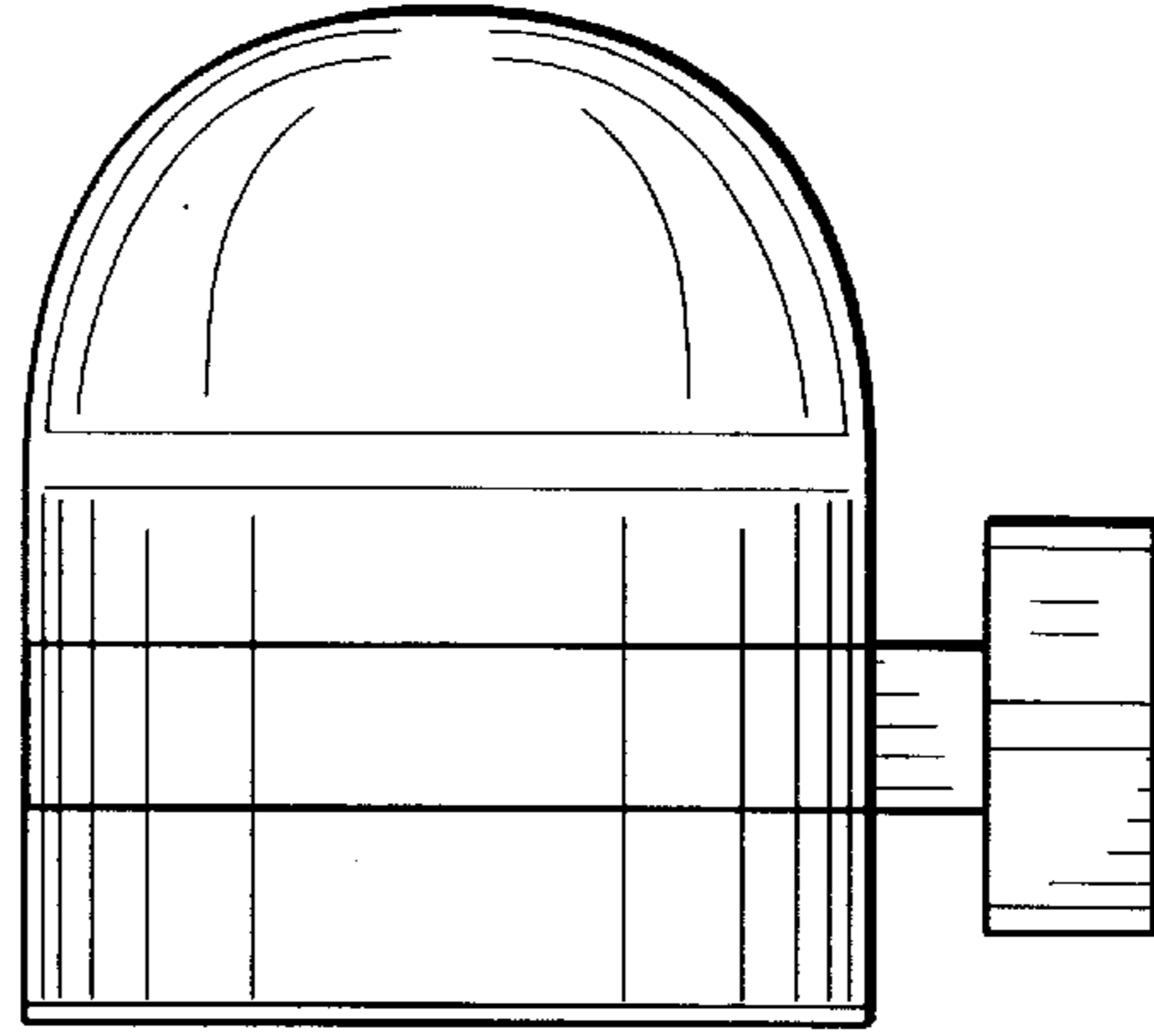


FIG. 28

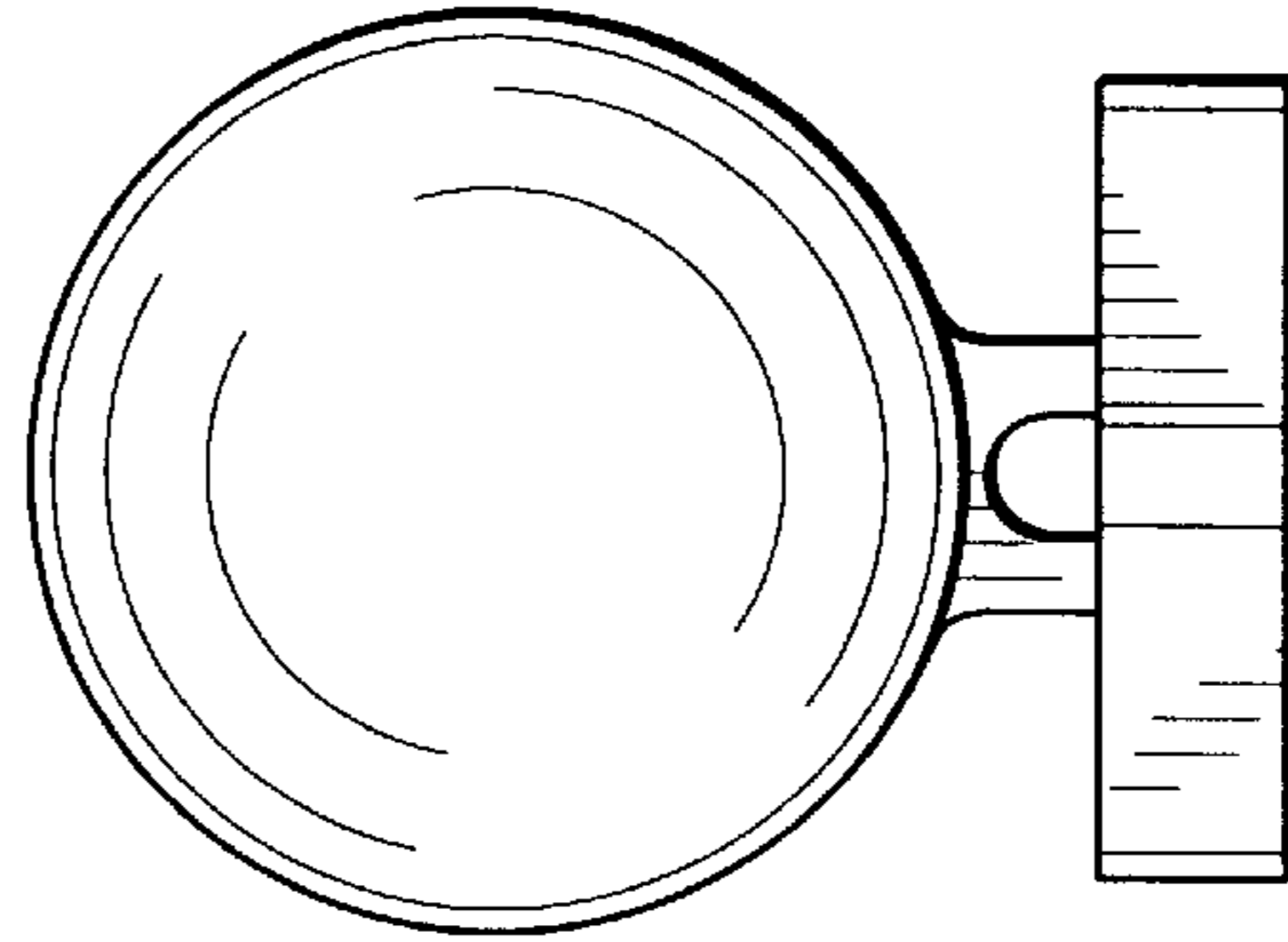


FIG. 26

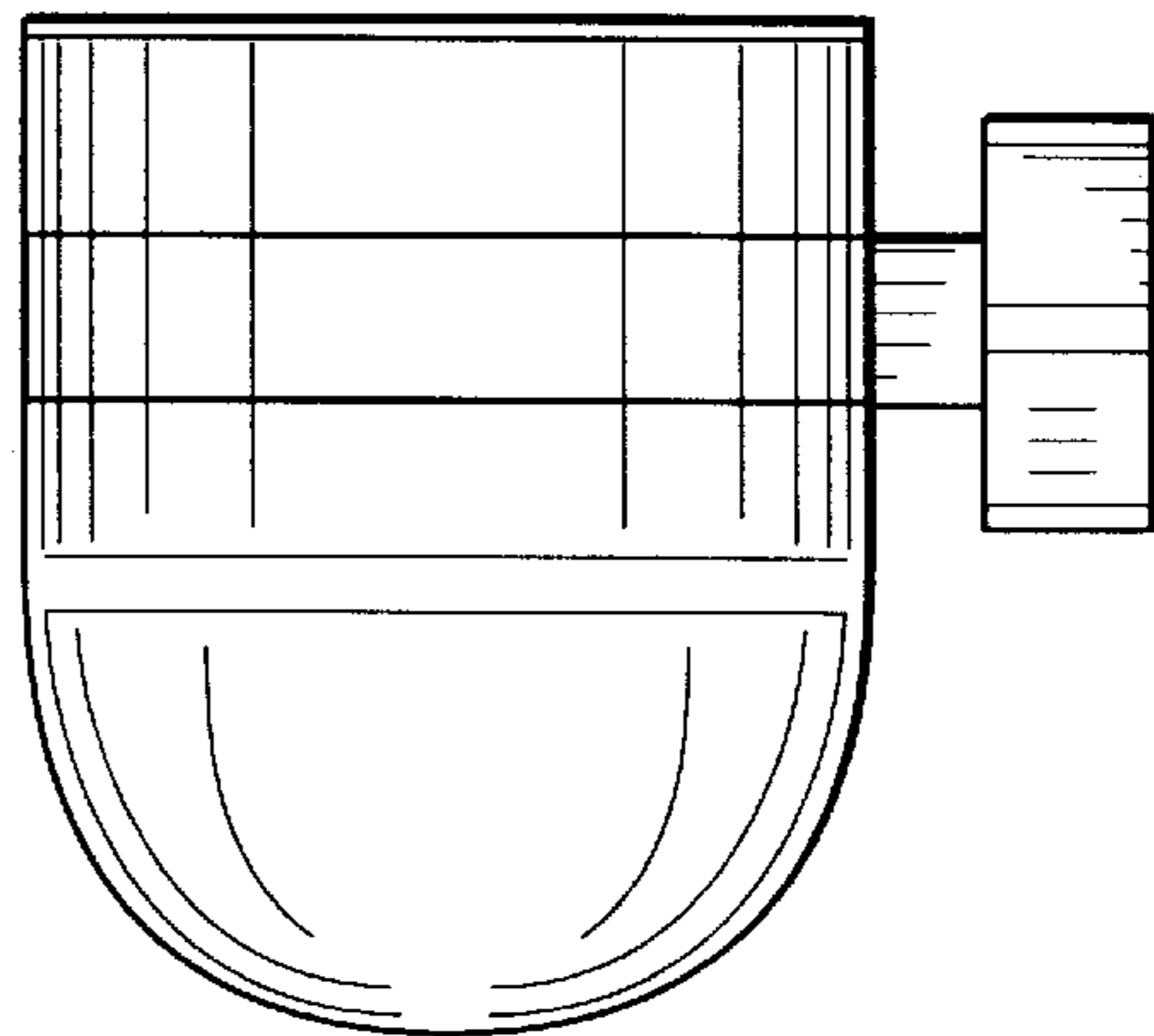


FIG. 27