



US00D427694S

# United States Patent [19]

Bevan et al.

[11] Patent Number: **Des. 427,694**

[45] Date of Patent: **\*\* \*Jul. 4, 2000**

[54] **BUILDING ELEMENT**

[75] Inventors: **Glenn Michael Bevan**, East Brisbane;  
**Leonard McKeown**, Edens Landing;  
**Simon Floyd**, North Ringwood;  
**Dominic Lamanna**, Werribee; **Ross Doonan**, Wilton, all of Australia

[73] Assignee: **James Hardie Research Pty Limited**,  
Sydney, Australia

[\*] Notice: This patent is subject to a terminal disclaimer.

[\*\*] Term: **14 Years**

[21] Appl. No.: **29/098,570**

[22] Filed: **Dec. 31, 1998**

### [30] Foreign Application Priority Data

Jul. 3, 1998 [AU] Australia ..... 1939/98

[51] **LOC (7) Cl.** ..... **25-01**

[52] **U.S. Cl.** ..... **D25/121**

[58] **Field of Search** ..... D25/121, 52, 60,  
D25/119, 136; 52/465, 800.12, 800.15,  
800.19

### [56] References Cited

#### U.S. PATENT DOCUMENTS

D. 324,506 3/1992 Phillips ..... D25/121  
D. 393,319 4/1998 Reuter .  
1,805,538 5/1931 Anderberg .  
4,242,848 1/1981 Schoultz ..... 52/800.17  
4,510,722 4/1985 Van Wieringen .  
5,529,288 6/1996 Cheng-I .

#### FOREIGN PATENT DOCUMENTS

136825 2/1948 Australia .

139800 8/1950 Australia .  
241262 9/1960 Australia .  
275224 9/1965 Australia .  
11386/95 8/1985 Australia .  
54204/86 9/1986 Australia .  
59859/86 1/1987 Australia .  
82197/87 6/1988 Australia .  
24 45 833 4/1976 Germany .  
24 51 813 5/1976 Germany .  
41 35 125 4/1993 Germany .  
41 35 126 4/1993 Germany .  
1140260 1/1969 United Kingdom .

*Primary Examiner*—Doris Clark  
*Attorney, Agent, or Firm*—Ladas & Parry

### [57] CLAIM

The ornamental design for building element, as shown and described.

### DESCRIPTION

FIG. 1 is a perspective view of the building element showing our new design;  
FIG. 2 is an end view of the building element showing our new design;  
FIG. 3 is a left view of the building element showing our new design;  
FIG. 4 is a right view of the building element showing our new design;  
FIG. 5 is a plan view of the building element showing our new design; and,  
FIG. 6 is a bottom view of the building element showing our new design.

The depicted building element may be conveniently used in the manufacture of frames for windows.  
The broken lines showing internal features are for illustrative purposes only and form no part of the claimed design. Additionally, the building element is broken in the center to indicate that it is of indefinite length.

**1 Claim, 2 Drawing Sheets**

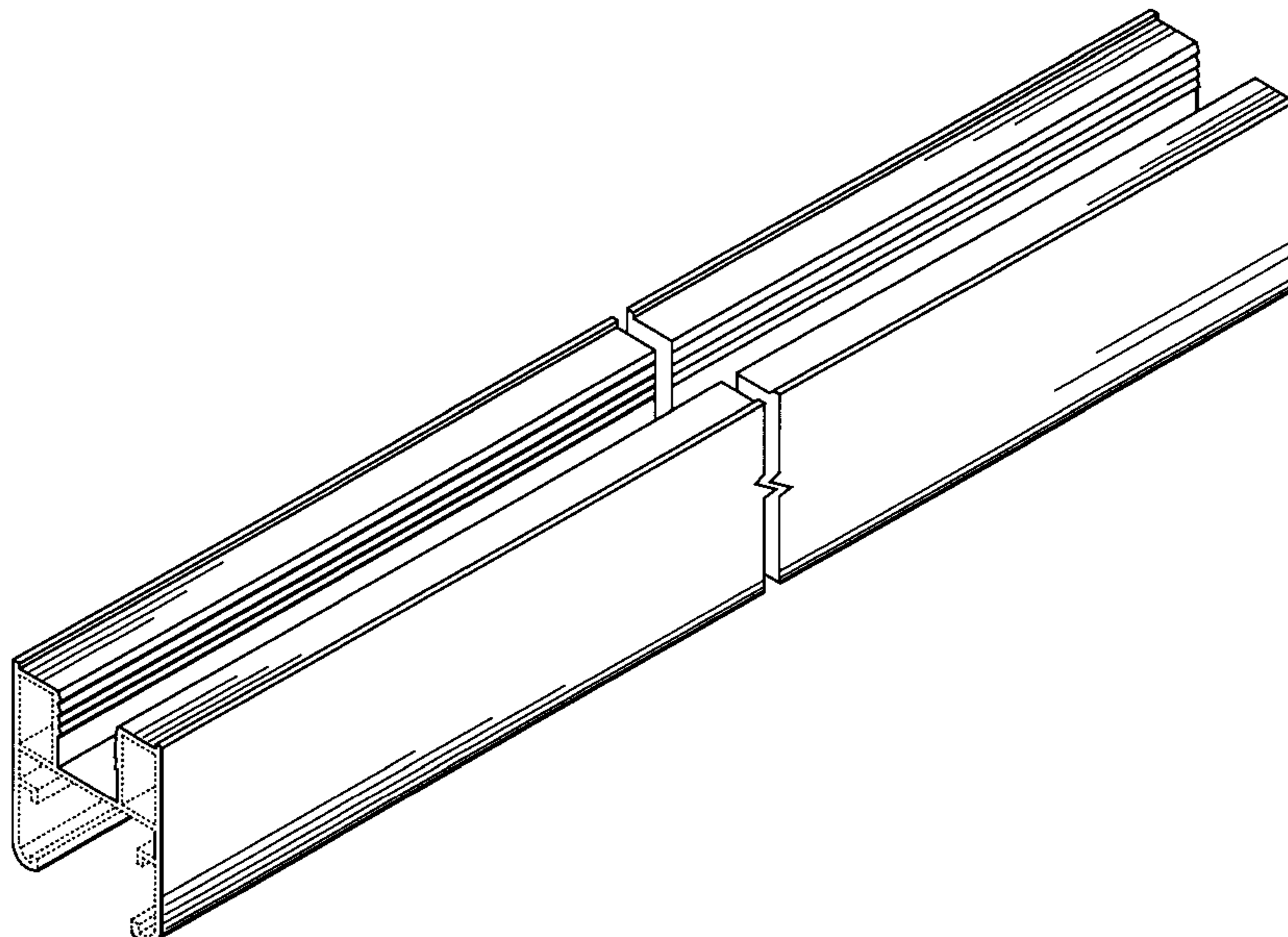


FIG. 1

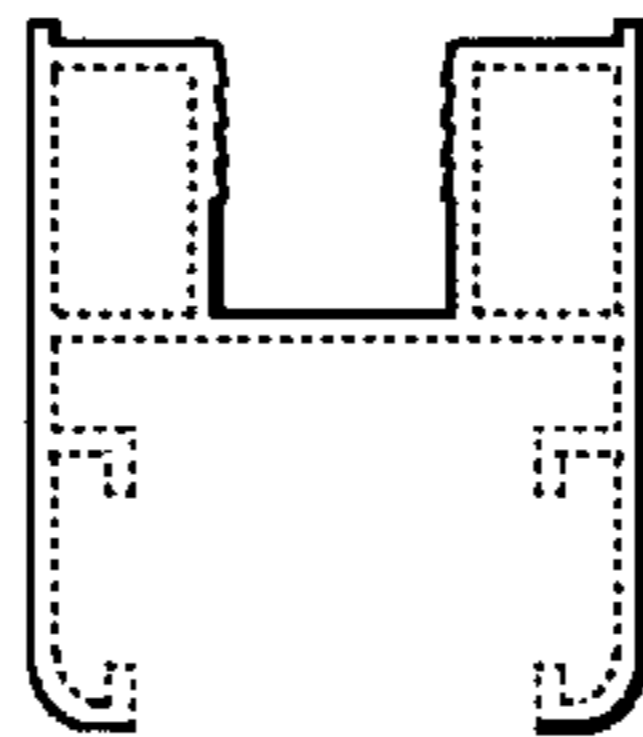
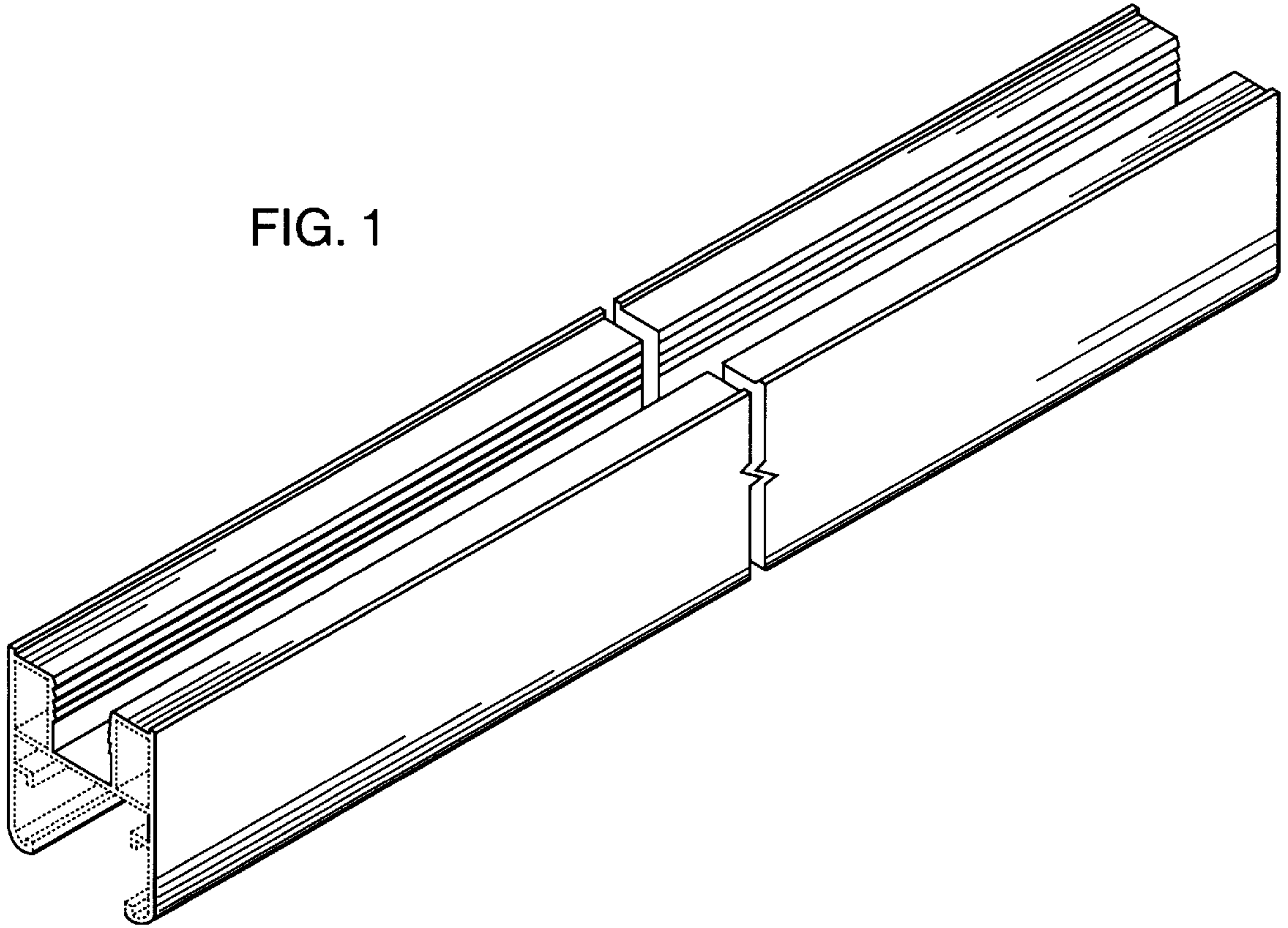


FIG. 2

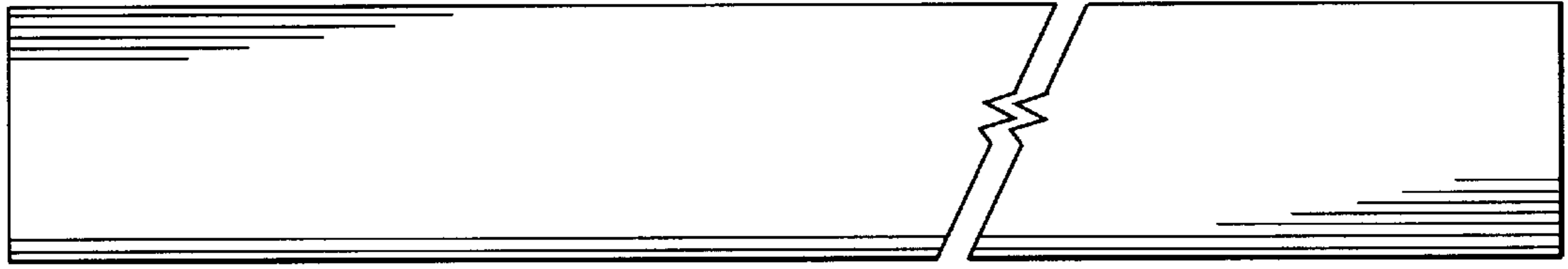


FIG. 3

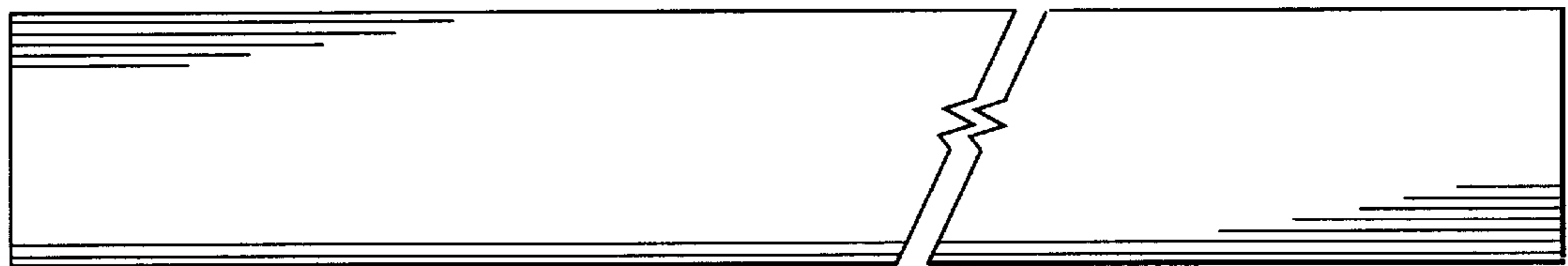


FIG. 4

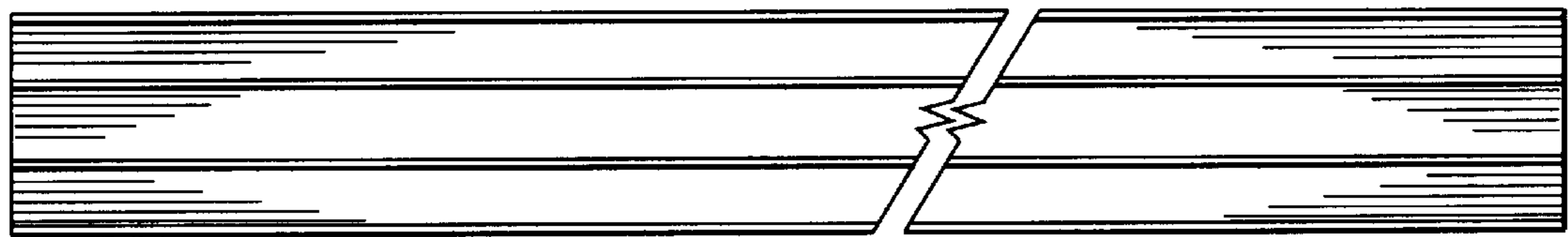


FIG. 5

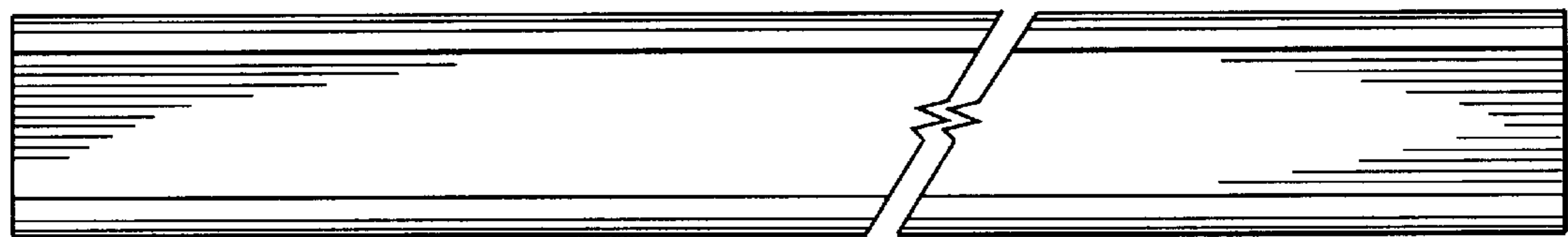


FIG. 6