



US00D427692S

United States Patent [19]

Bradshaw et al.

[11] Patent Number: **Des. 427,692**

[45] Date of Patent: **** Jul. 4, 2000**

[54] **PLUG FOR REAGENT PACKAGE**

[75] Inventors: **Randolph Bradshaw**, Brewster;
Michael Paloian, Huntington, both of
N.Y.

[73] Assignee: **Bayer Corporation**, Tarrytown, N.Y.

[**] Term: **14 Years**

[21] Appl. No.: **29/090,237**

[22] Filed: **Jun. 30, 1998**

[51] **LOC (7) Cl.** **24-01**

[52] **U.S. Cl.** **D24/224**

[58] **Field of Search** D24/224; 422/58,
422/61, 63, 102; 220/23.4, 23.2, 253, 255

[56] **References Cited**

U.S. PATENT DOCUMENTS

D. 325,638 4/1992 Sloat et al. D24/226
4,785,953 11/1988 Buchholz et al. 215/365

5,501,982 3/1996 Saldivar, Jr. et al. 436/150
5,632,399 5/1997 Palmieri et al. 220/253
5,862,934 1/1999 Sattler et al. 220/23.4

Primary Examiner—Stella Reid
Attorney, Agent, or Firm—Andrew L. Klawitter, Esq.;
Rodman & Rodman

[57] **CLAIM**

The ornamental design for a plug for reagent package, as shown and described.

DESCRIPTION

FIG. 1 is a perspective view of a plug for reagent package showing our new design;
FIG. 2 is a front elevational view thereof, the opposite side elevational view being a mirror image of that shown;
FIG. 3 is a top plan view thereof;
FIG. 4 is a bottom plan view thereof; and,
FIG. 5 is an end view thereof, the opposite end view being a mirror image of that shown.

1 Claim, 2 Drawing Sheets

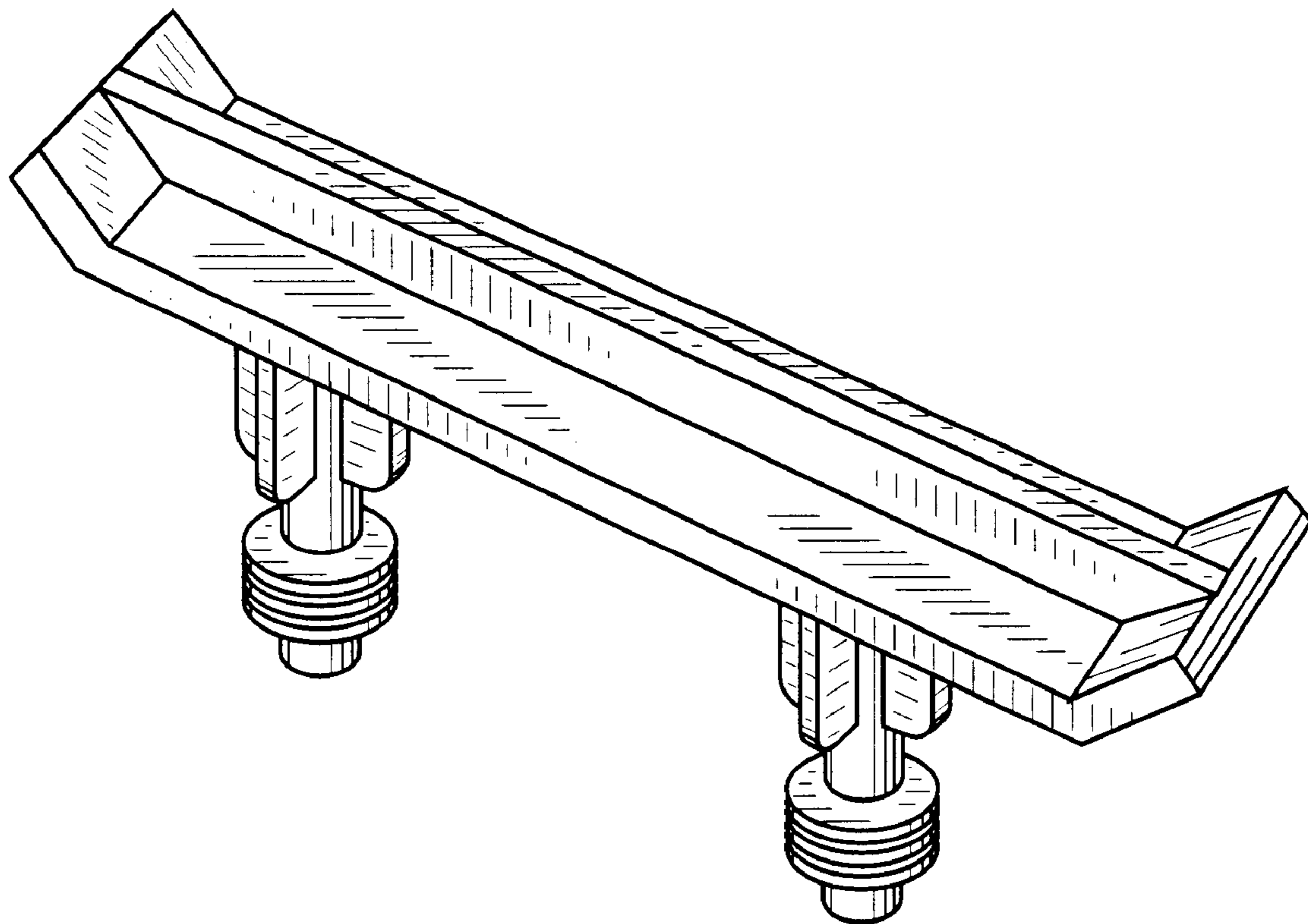


FIG. 1

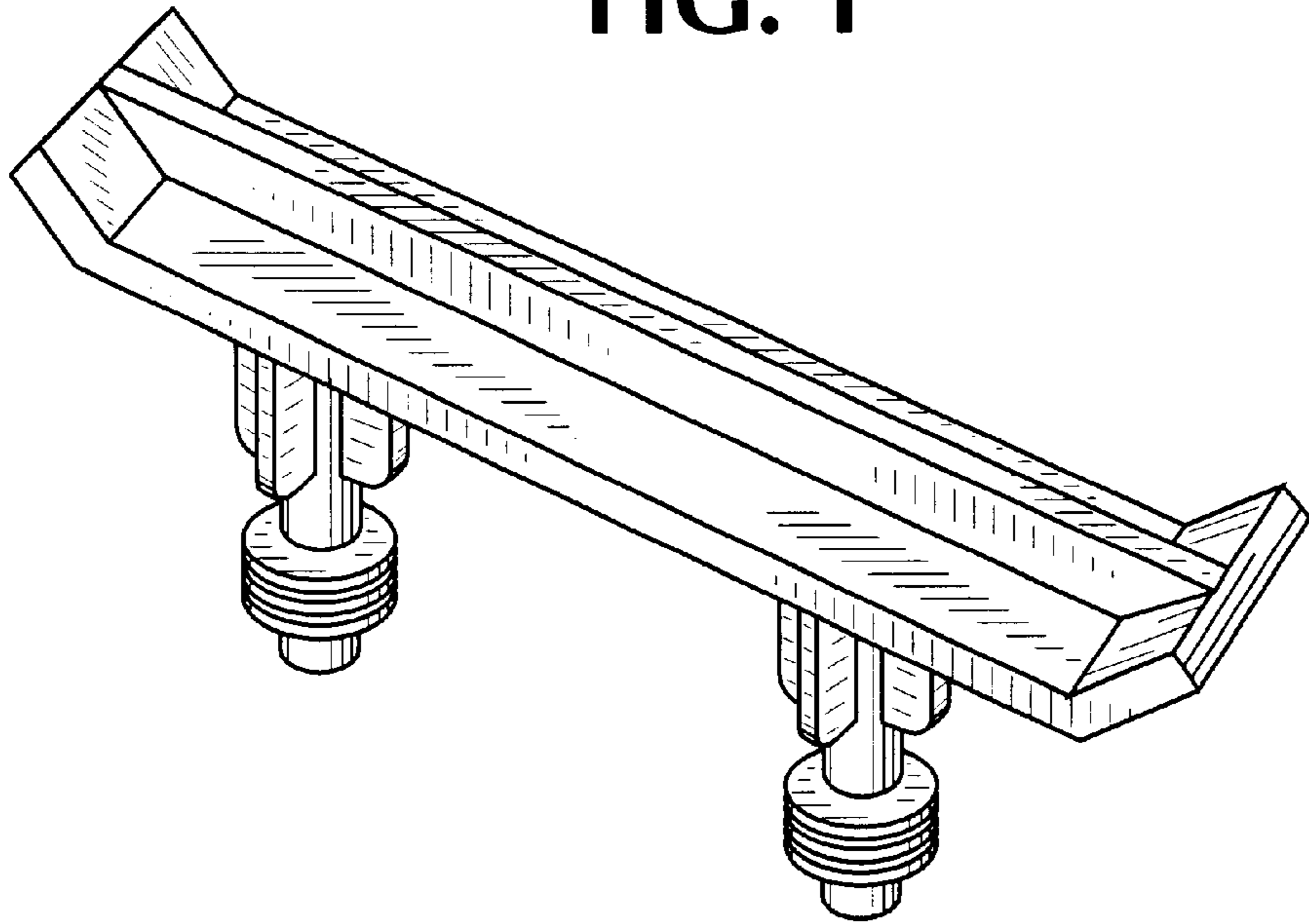


FIG. 2

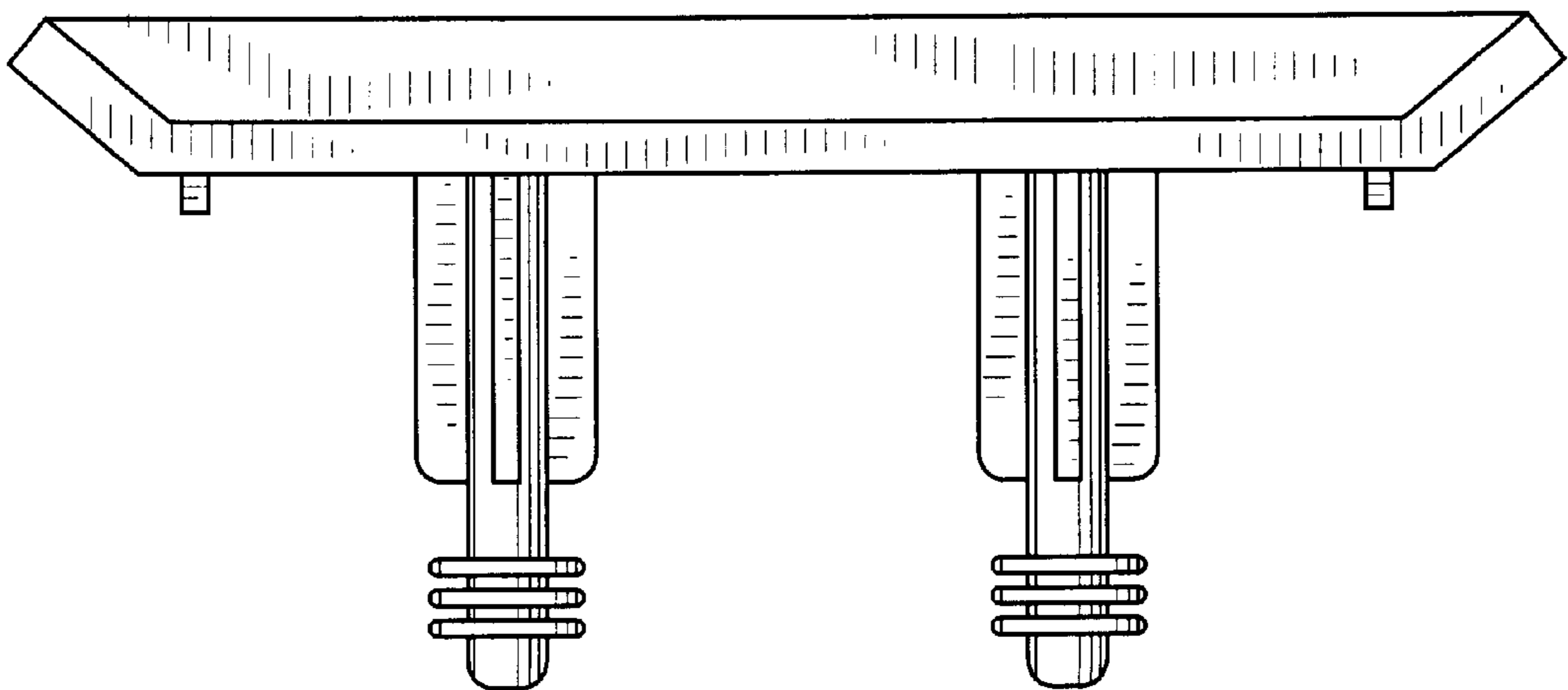


FIG. 3

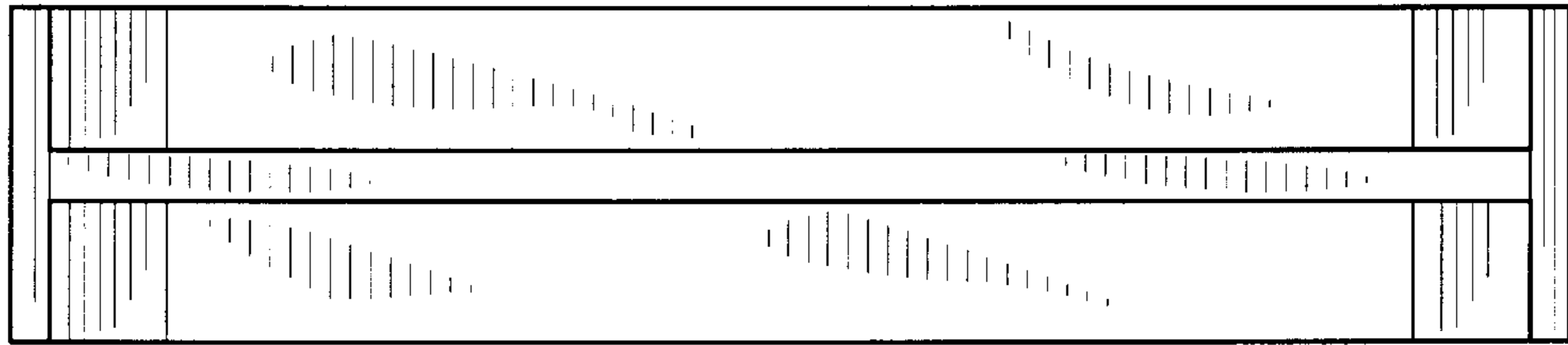


FIG. 4

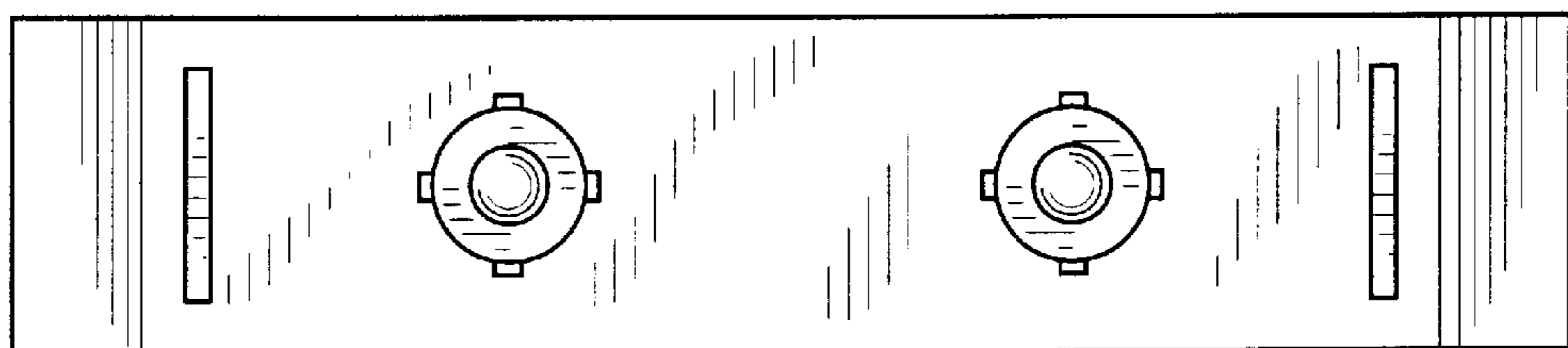


FIG. 5

