



US00D427691S

United States Patent [19]

[11] **Patent Number: Des. 427,691**

Asselta

[45] **Date of Patent: ** Jul. 4, 2000**

[54] **VIAL**

OTHER PUBLICATIONS

[75] Inventor: **Roger Asselta**, Williamstown, N.J.

The Fisher Catalog 93/94, c. 1992, Limited Volume 11mm Crimp Top Vial, item #03-375-9C, p. 1688.

[73] Assignee: **Comar, Inc.**, Buena, N.J.

The Fisher Catalog 93/94, c. 1992, 8mm Crimp Top Vial, item #06-406-19NN, p. 1689.

[**] Term: **14 Years**

Chromacol 90 catalog, c. 1990, Glass Vials.

[21] Appl. No.: **29/089,769**

Primary Examiner—Ian Simmons

[22] Filed: **Jun. 23, 1998**

Attorney, Agent, or Firm—Eugene E. Renz, Jr. PC

[51] **LOC (7) Cl.** **24-02**

[57] **CLAIM**

[52] **U.S. Cl.** **D24/224**

The ornamental design for a vial, as shown and described.

[58] **Field of Search** D24/224; 422/102,
422/104, 101, 99; 435/304.1

DESCRIPTION

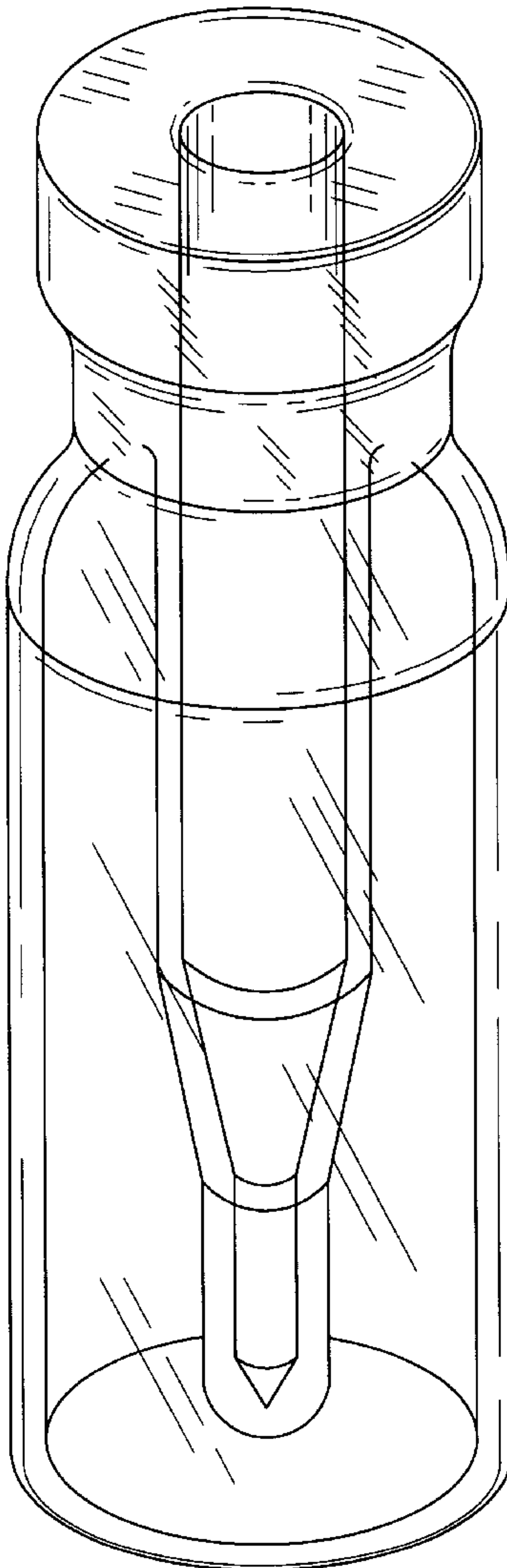
[56] **References Cited**

FIG. 1 is a perspective view of the vial of my new design; FIG. 2 is a top plan view of the vial shown in FIG. 1; FIG. 3 is a side elevational view of the vial shown in FIG. 1; and, FIG. 4 is a bottom plan view of the vial shown in FIG. 3.

U.S. PATENT DOCUMENTS

D. 302,722	8/1989	Baxter	D24/224
D. 304,997	12/1989	Baxter	D24/224
D. 307,052	4/1990	Baxter	D24/224
D. 388,176	12/1997	Lodge	D24/224
5,470,537	11/1995	Siegel	422/104

1 Claim, 2 Drawing Sheets



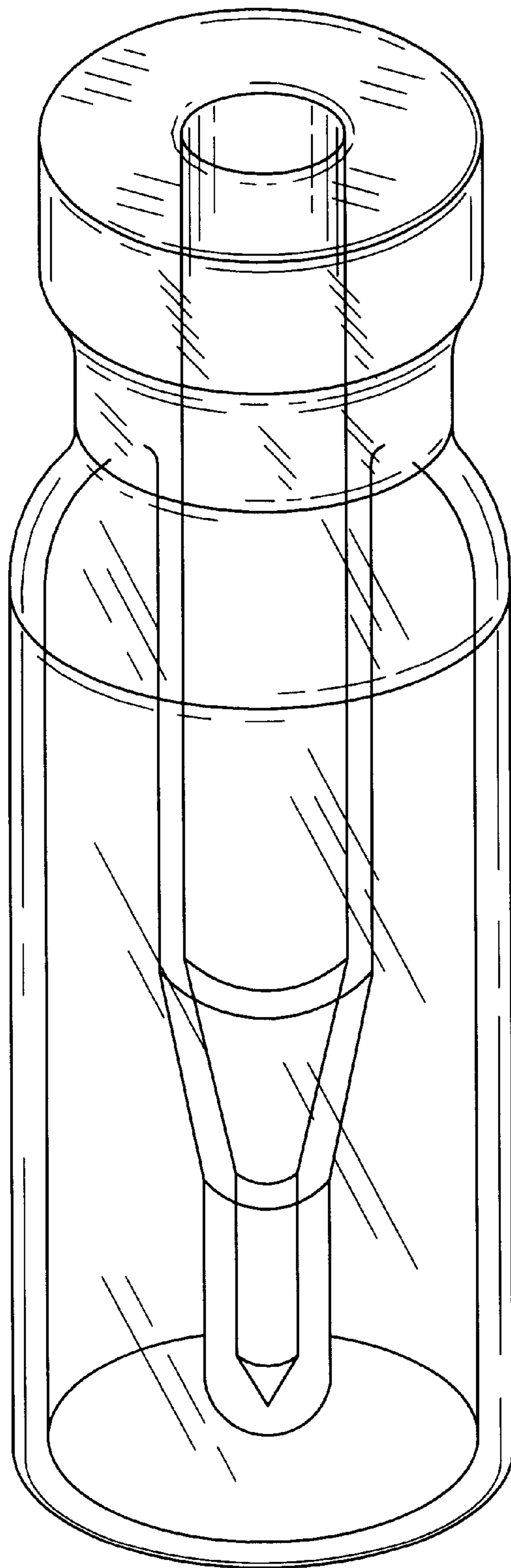


Fig-1

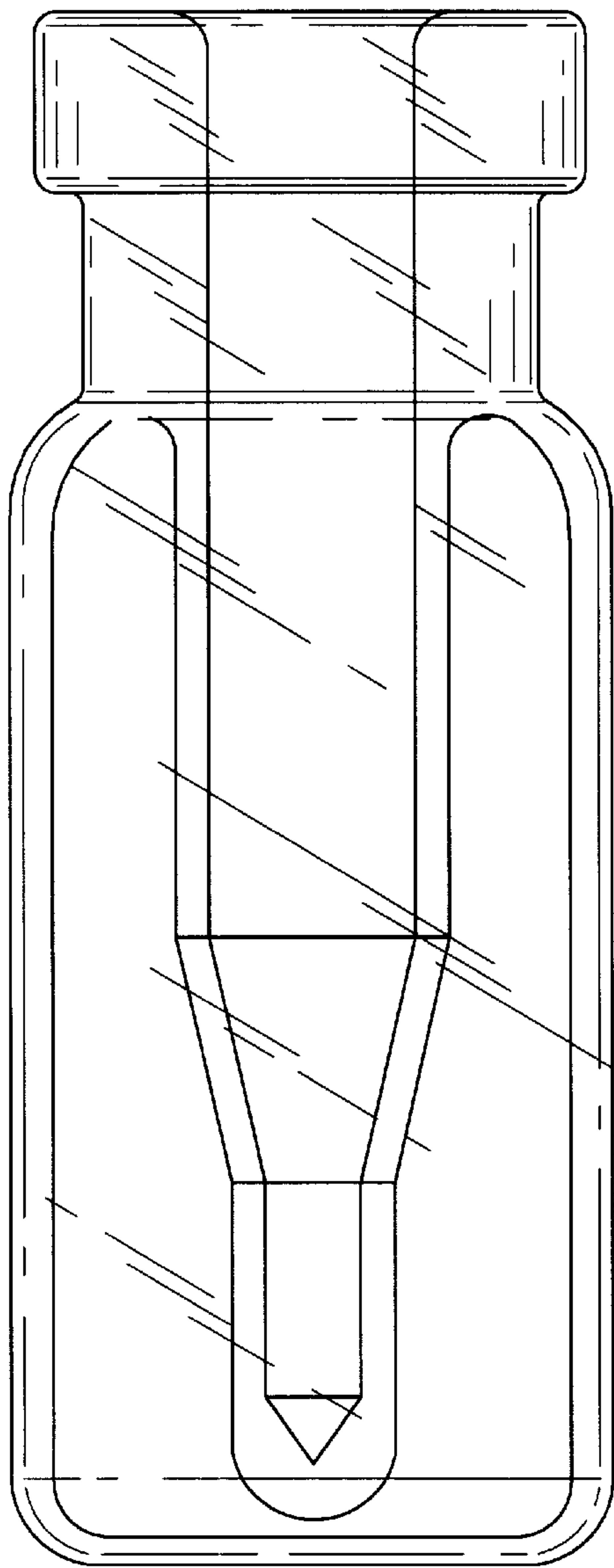


Fig-3

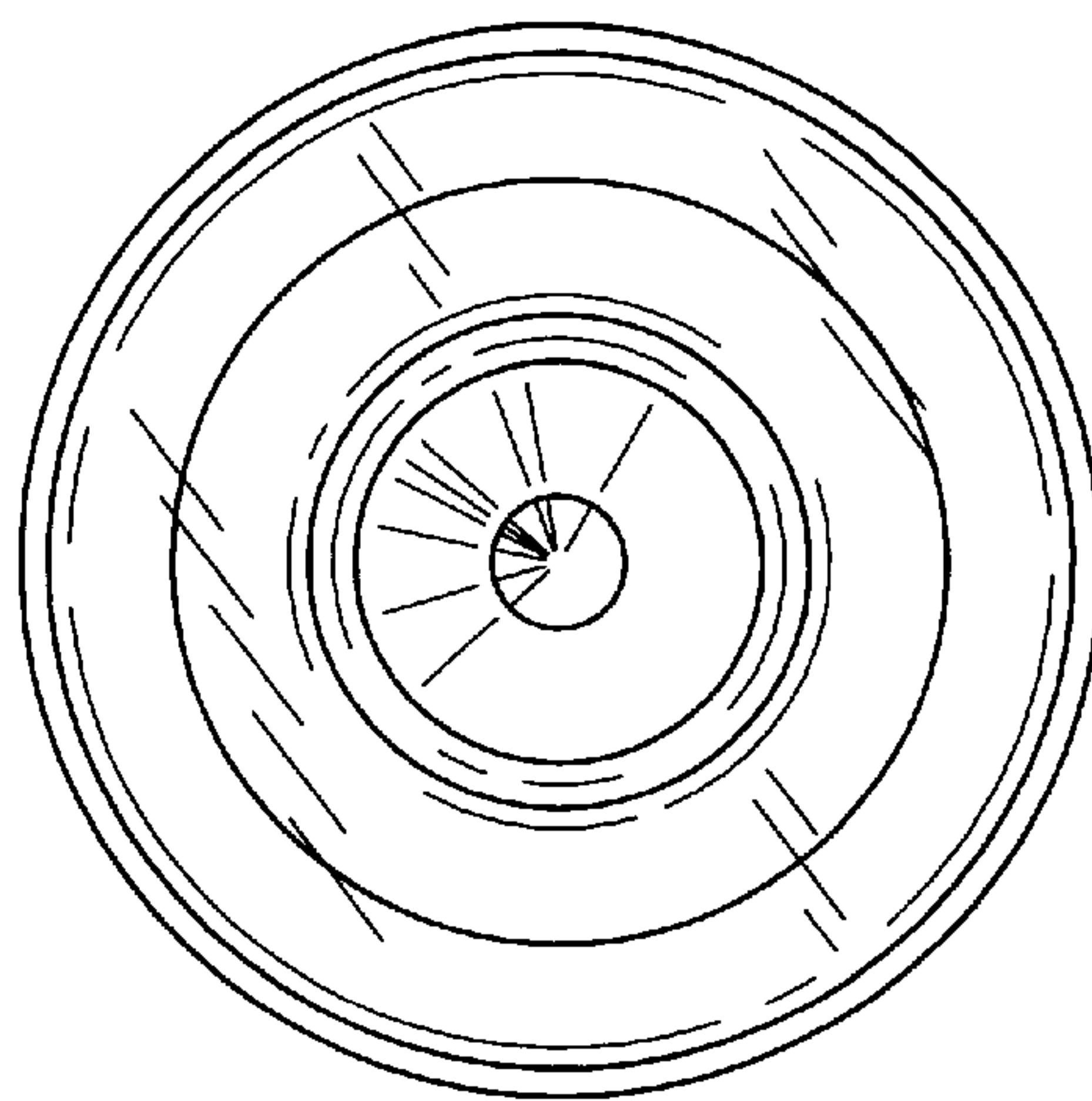


Fig-2

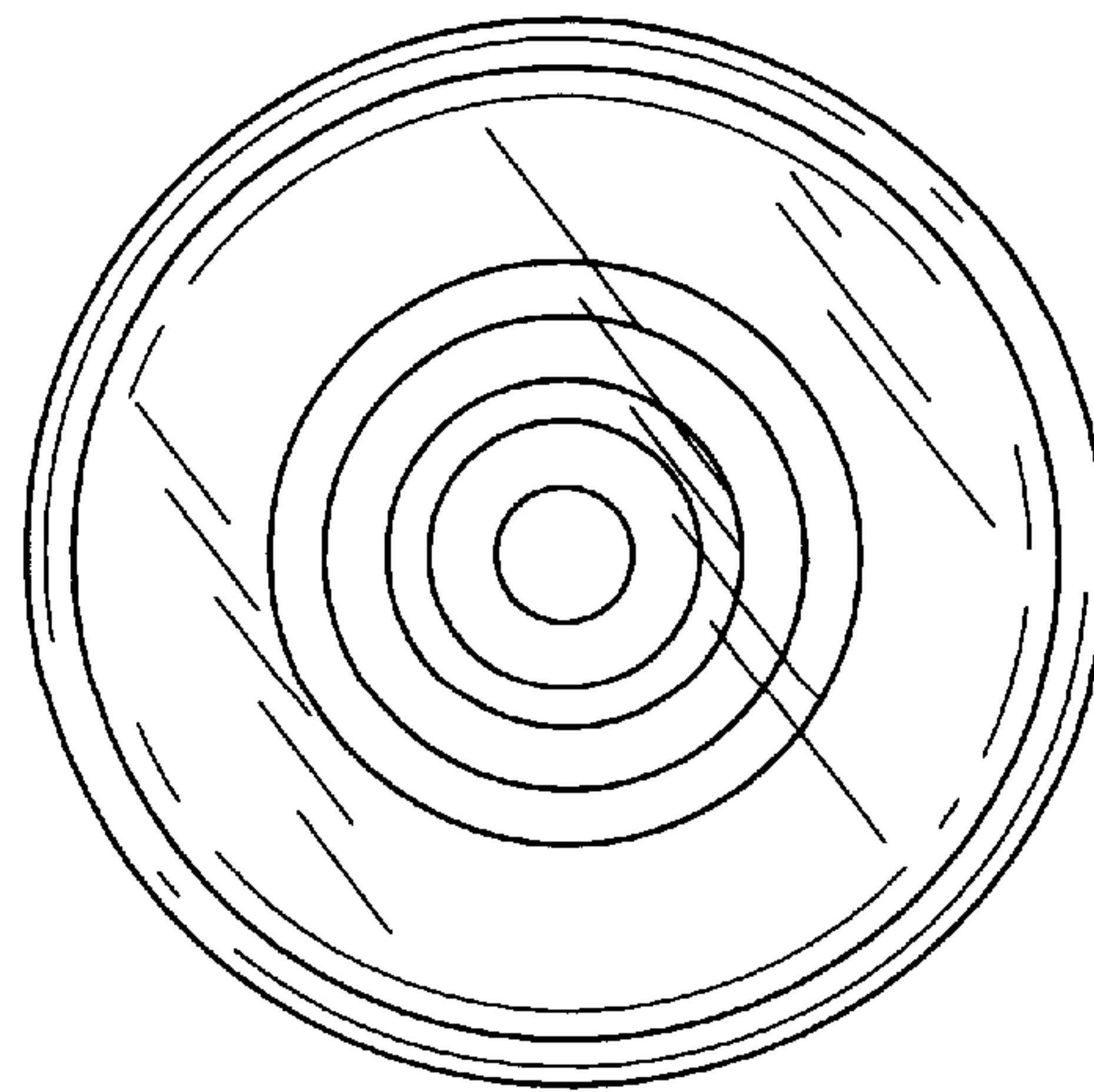


Fig-4