



US00D427686S

United States Patent [19]

[11] Patent Number: Des. 427,686

Butler et al.

[45] Date of Patent: ** Jul. 4, 2000

[54] DENTURE BATH

[75] Inventors: Michael Edward Butler, London; Mark Ieuan Edwards, Knaphill; Nigel Joseph Glynn, Staines; Adrian Bennett, Romsey; Paul Richard Clark, London; Ela Clesak, Northolt; Ian Macdonald Morison; Richard Stephen Thom, both of London, all of United Kingdom

[73] Assignee: The Procter & Gamble Company, Cincinnati, Ohio

[**] Term: 14 Years

[21] Appl. No.: 29/086,765

[22] Filed: Apr. 20, 1998

[30] Foreign Application Priority Data

Oct. 21, 1997 [GB] United Kingdom 2069992

[51] LOC (7) Cl. 24-02

[52] U.S. Cl. D24/176

[58] Field of Search D24/176, 156, D24/152, 217, 227; D28/73; 422/300, 297, 301; 206/63.5, 368, 438, 439, 363

[56] References Cited

U.S. PATENT DOCUMENTS

D. 187,403	3/1960	Wachtel	D28/73
D. 315,954	4/1991	Berland	D24/176 X
D. 346,674	5/1994	Berghash	D24/176 X
2,102,643	12/1937	Pellegrini	206/83 X
5,184,718	2/1993	Albert	206/63.5

Primary Examiner—Stella Reid
Assistant Examiner—I Simmons
Attorney, Agent, or Firm—William Scott Andes

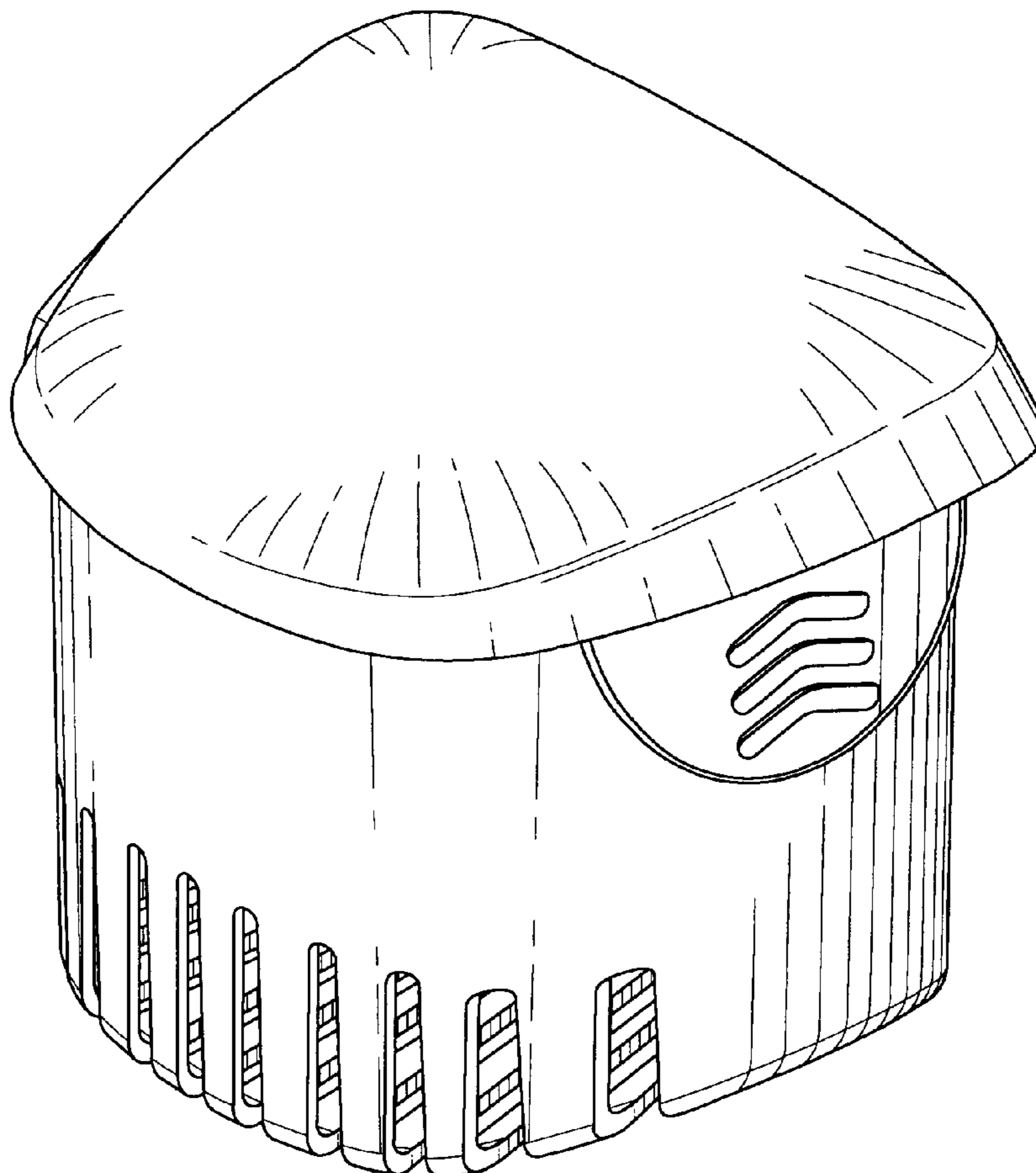
[57] CLAIM

The ornamental design for a denture bath, as shown and described.

DESCRIPTION

FIG. 1 is a perspective view;
FIG. 2 is a side elevational view with the opposite side being a mirror image thereof;
FIG. 3 is a top plan view;
FIG. 4 is a bottom plan view;
FIG. 5 is a back side elevational view; and,
FIG. 6 is a front side elevational view.

1 Claim, 3 Drawing Sheets



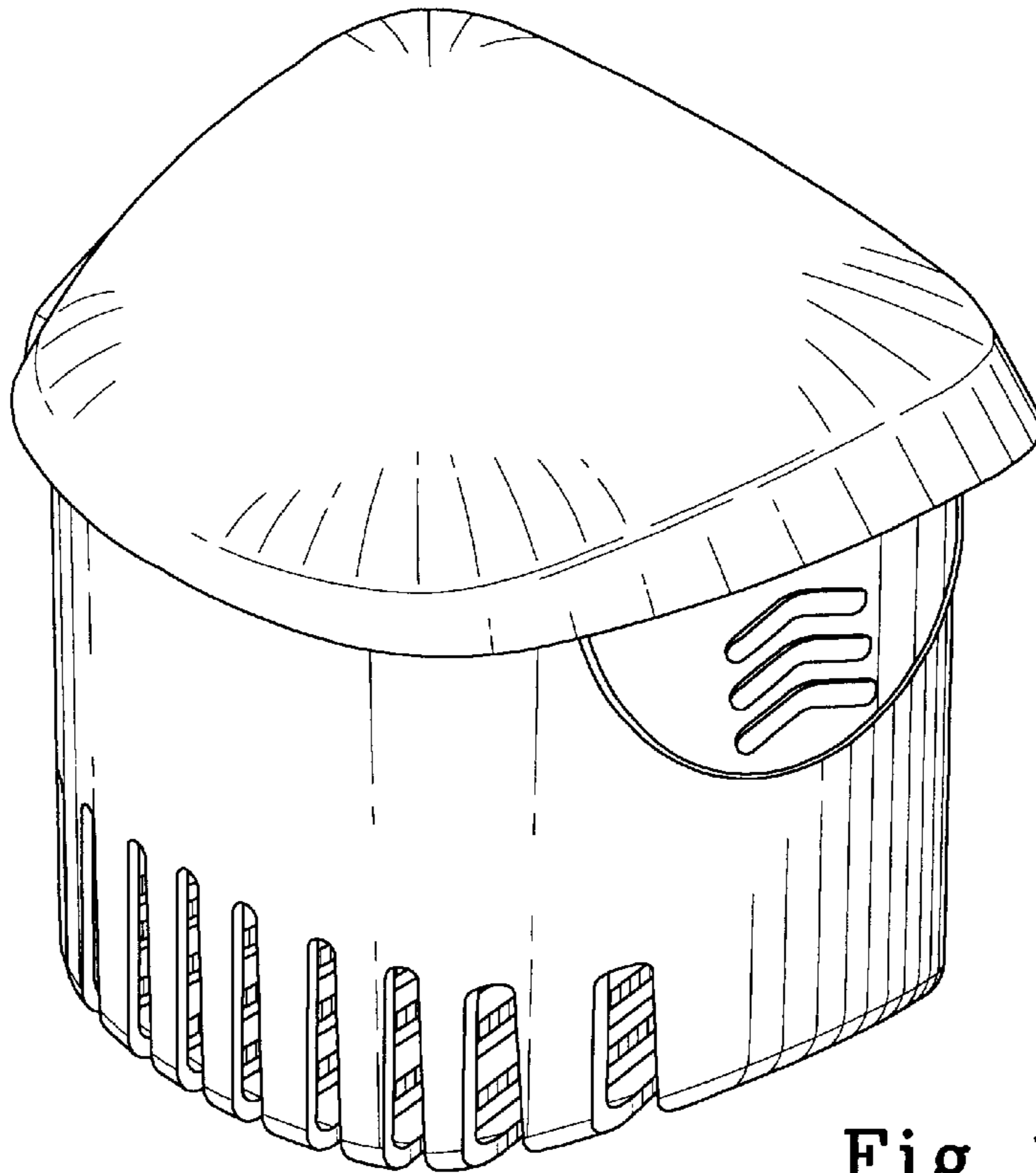


Fig. 1

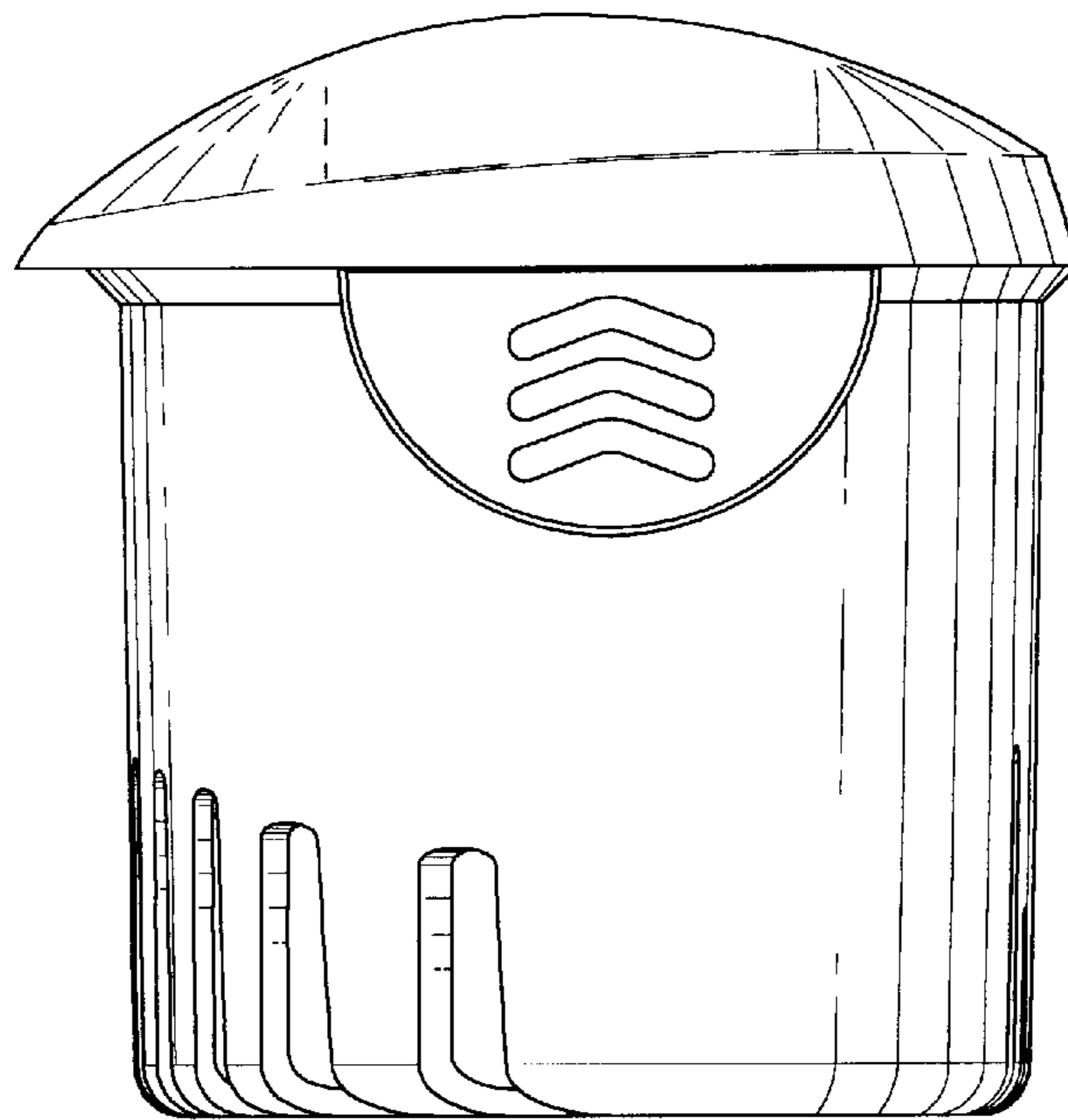


Fig. 2

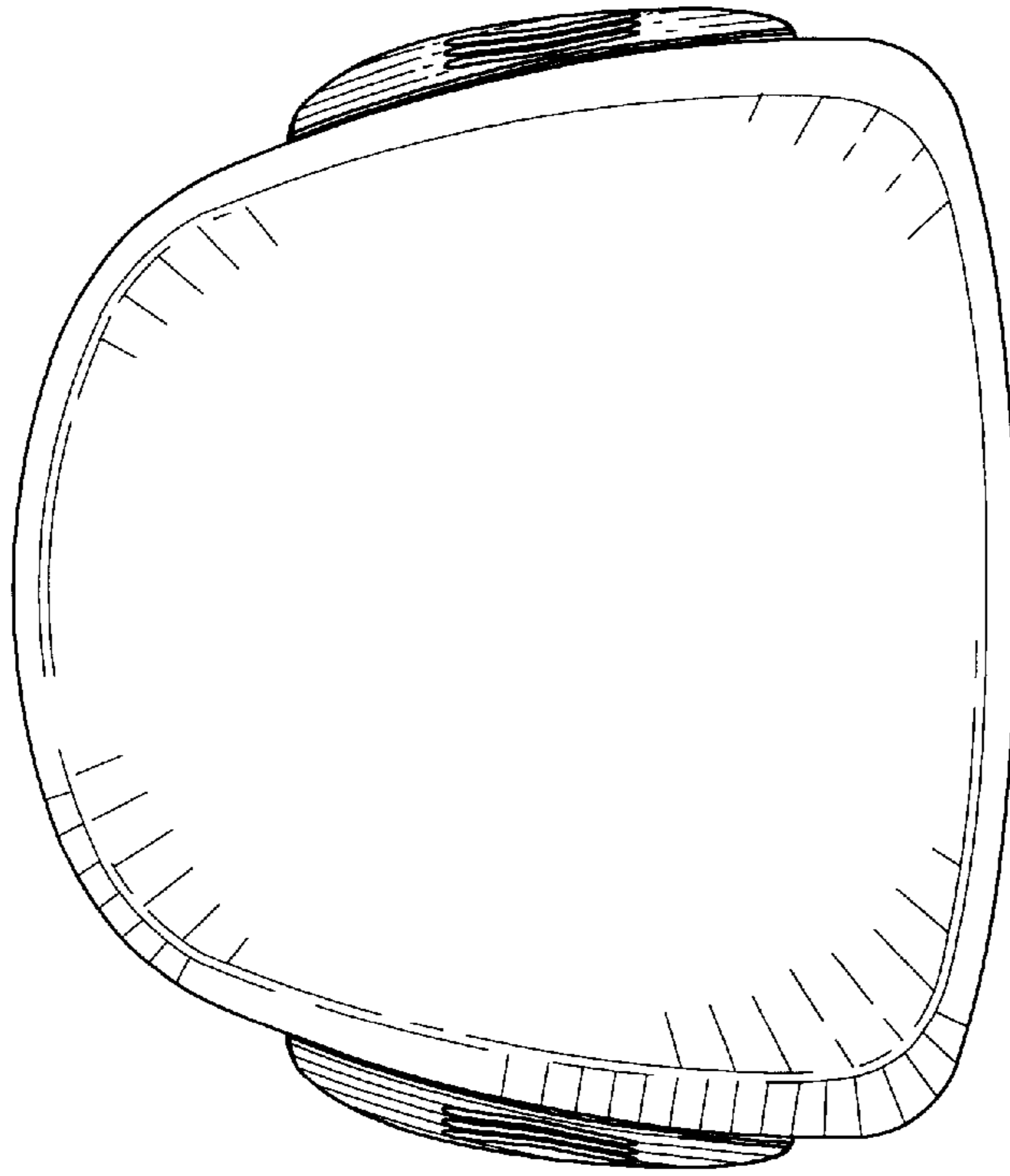


Fig. 3

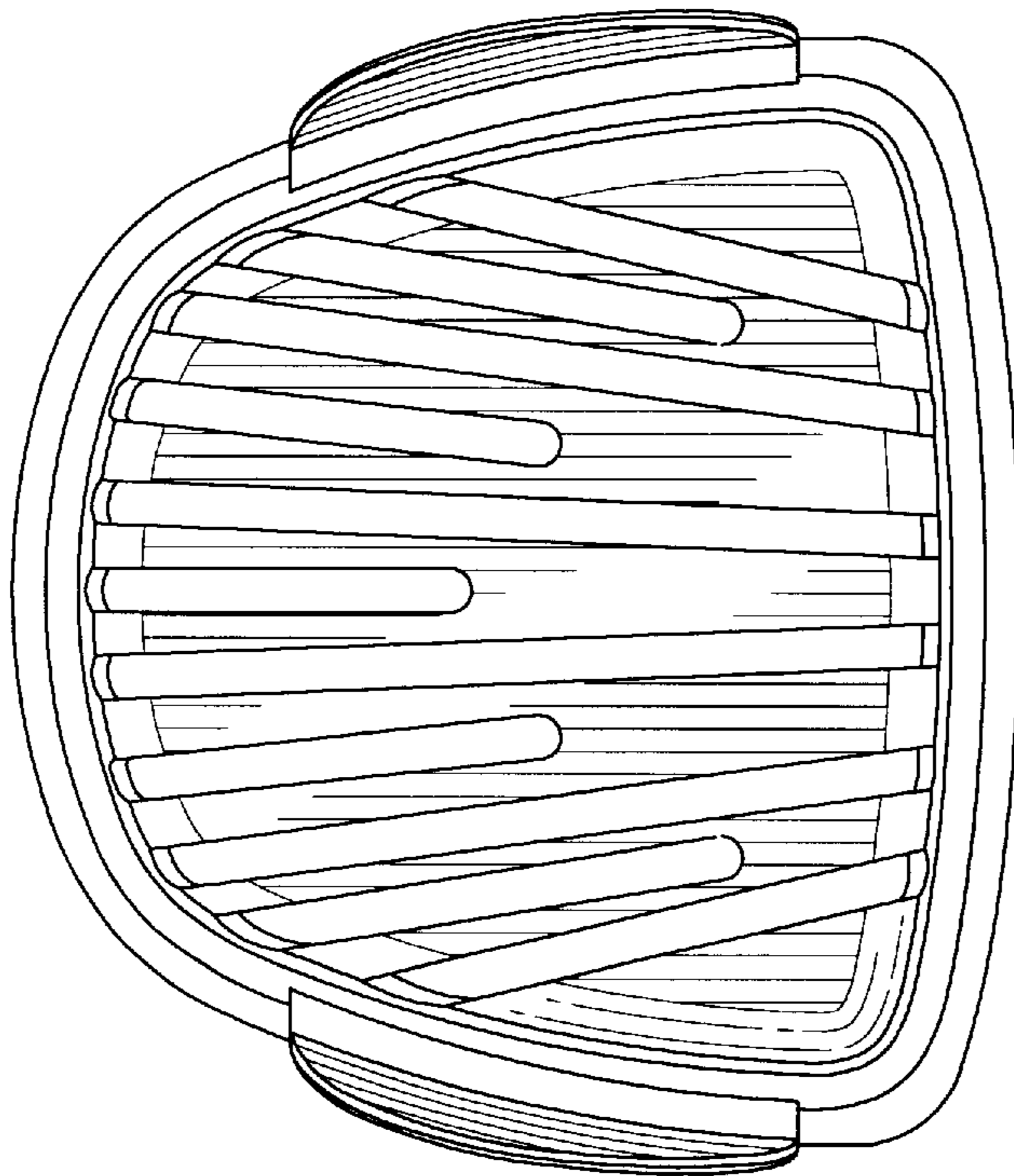


Fig. 4

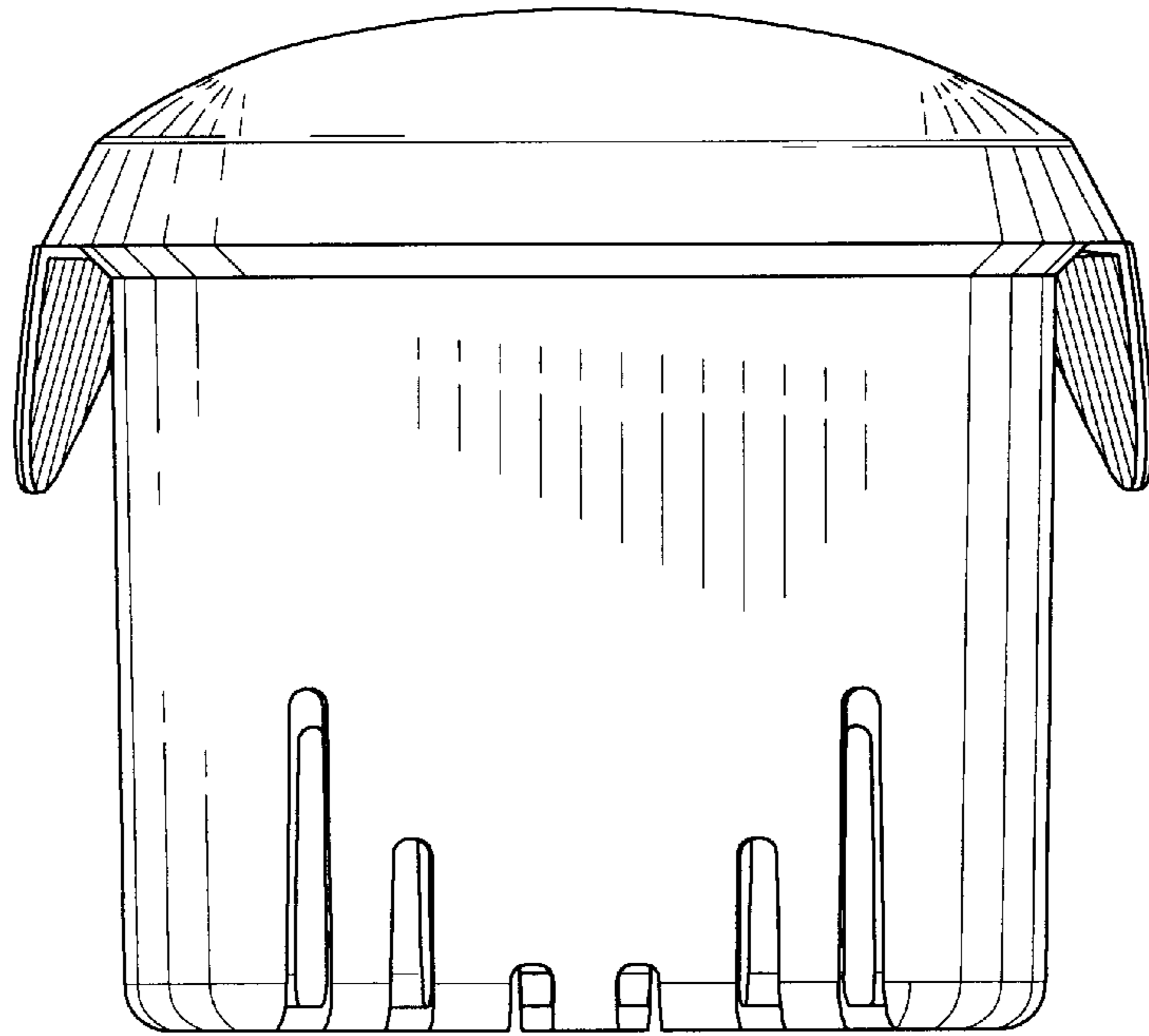


Fig. 5

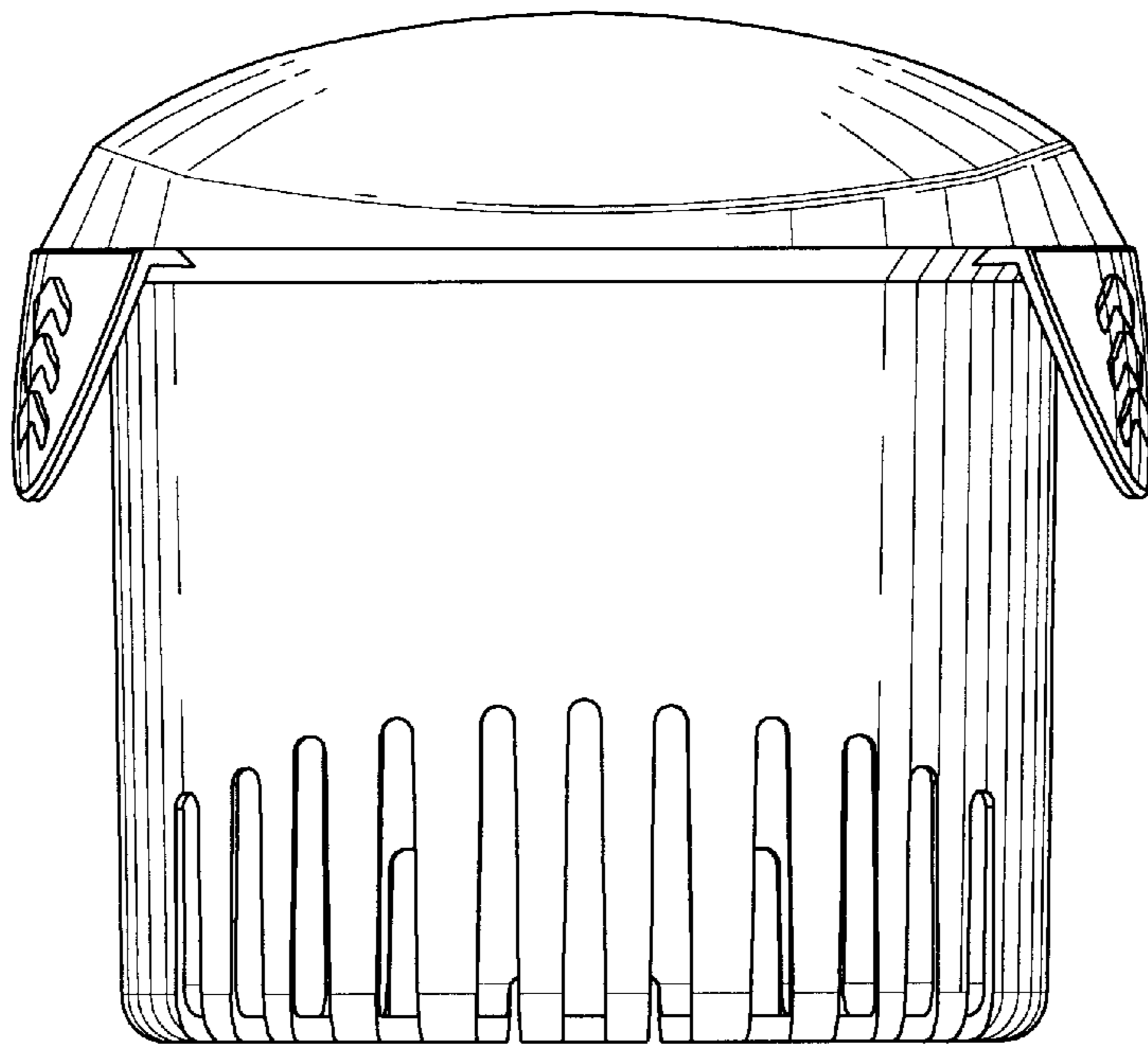


Fig. 6