



US00D427675S

United States Patent [19] Hansel

[11] **Patent Number: Des. 427,675**
[45] **Date of Patent: ** Jul. 4, 2000**

[54] **HOUSING FOR A CPAP DEVICE**
[75] Inventor: **Douglas D. Hansel**, Westerville, Ohio
[73] Assignee: **Invacare Corporation**, Elyria, Ohio
[**] Term: **14 Years**
[21] Appl. No.: **29/096,068**
[22] Filed: **Nov. 4, 1998**
[51] **LOC (7) Cl. 24-02**
[52] **U.S. Cl. D24/110**
[58] **Field of Search D24/110; 128/200.24,**
128/204.23, 200.22, 204.21, 200.18, 200.16,
204.18, 203.12

Tranquility Bilevel CPAP System brochure, ComfortControl™, Healthdyne® Technologies, Mar., 1996.
Literature from Neucor–Puritan Bennett distributed at European Respiratory Society Show in 1996 at Stockholm, Sweden, showing, Nasal CPAP systems: REM + eco, REM + soft, REM + auto, REM + duo, GoodKnight™319, Morphée, and Morphé Plus Alpha.
Silenzio Owners Guide, date unknown. Prior Art.
ResMed brochure, Innovators in Respiratory Medicine, The Sullivan® V nasal CPAP system, © 1998 Invacare Corporation.
Solo™ CPAP System brochure, © Respiroics Inc.® 1996.
Copy of photograph of models shown to customer in Nov., 1997.
Copy of photograph of models shown to customer on Nov. 14, 1997.

[56] **References Cited**
U.S. PATENT DOCUMENTS
D. 378,128 2/1997 Rozek et al. D24/110
4,910,828 3/1990 Blase et al. .
5,117,819 6/1992 Servidio et al. 128/204.18
5,137,156 8/1992 Riczinger et al. .
5,647,091 7/1997 de Blois et al. .
5,673,687 10/1997 Dobson et al. 128/204.14
5,682,878 11/1997 Ogden .
5,715,812 2/1998 Deighan et al. 128/204.23

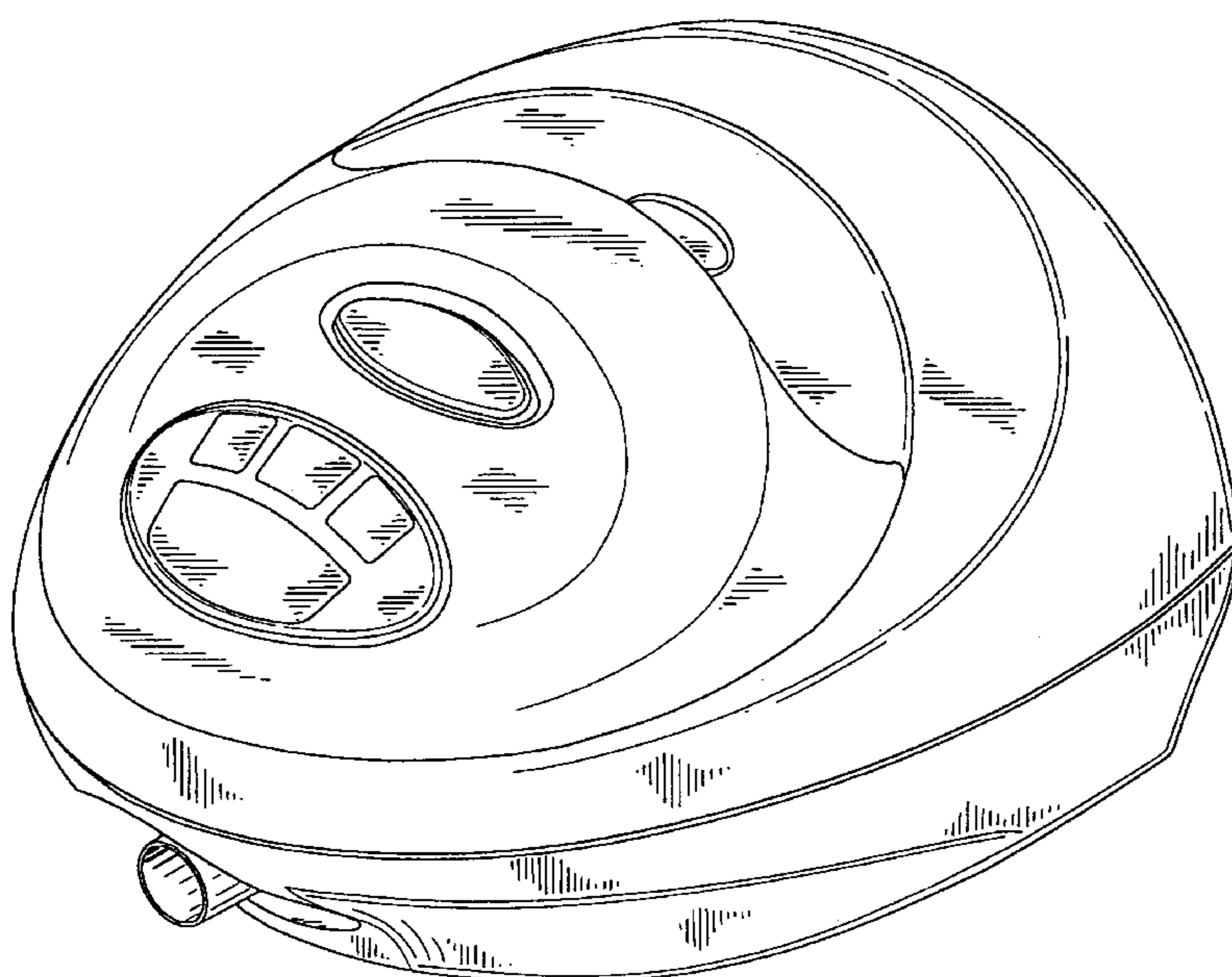
Primary Examiner—Stella Reid
Assistant Examiner—I Simmons
Attorney, Agent, or Firm—Hudak & Shunk Co., L.P.A.

OTHER PUBLICATIONS
Bi–Level Sleep Therapy System for Obstructive Sleep Apnea by Remedy™, AirSep® Corporation brochure, Apr. 1997.
The Horizon series of nasal CPAP systems from Horizon Marketing brochure© 1996 DHC Inc.
The gentle therapy for sleep–related breathing disorders, max II nCPAP and moritz II biLevel brochure, date unknown.

[57] **CLAIM**
I claim the ornamental design for a housing for a CPAP device, as shown.

DESCRIPTION
FIG. 1 is a rear perspective view of a housing for a CPAP device showing my new design;
FIG. 2 is a front perspective view thereof;
FIG. 3 is a top view thereof;
FIG. 4 is a left-hand side view thereof;
FIG. 5 is a right-hand side view thereof;
FIG. 6 is a bottom view thereof;
FIG. 7 is a front view thereof; and,
FIG. 8 is a rear view thereof.

1 Claim, 4 Drawing Sheets



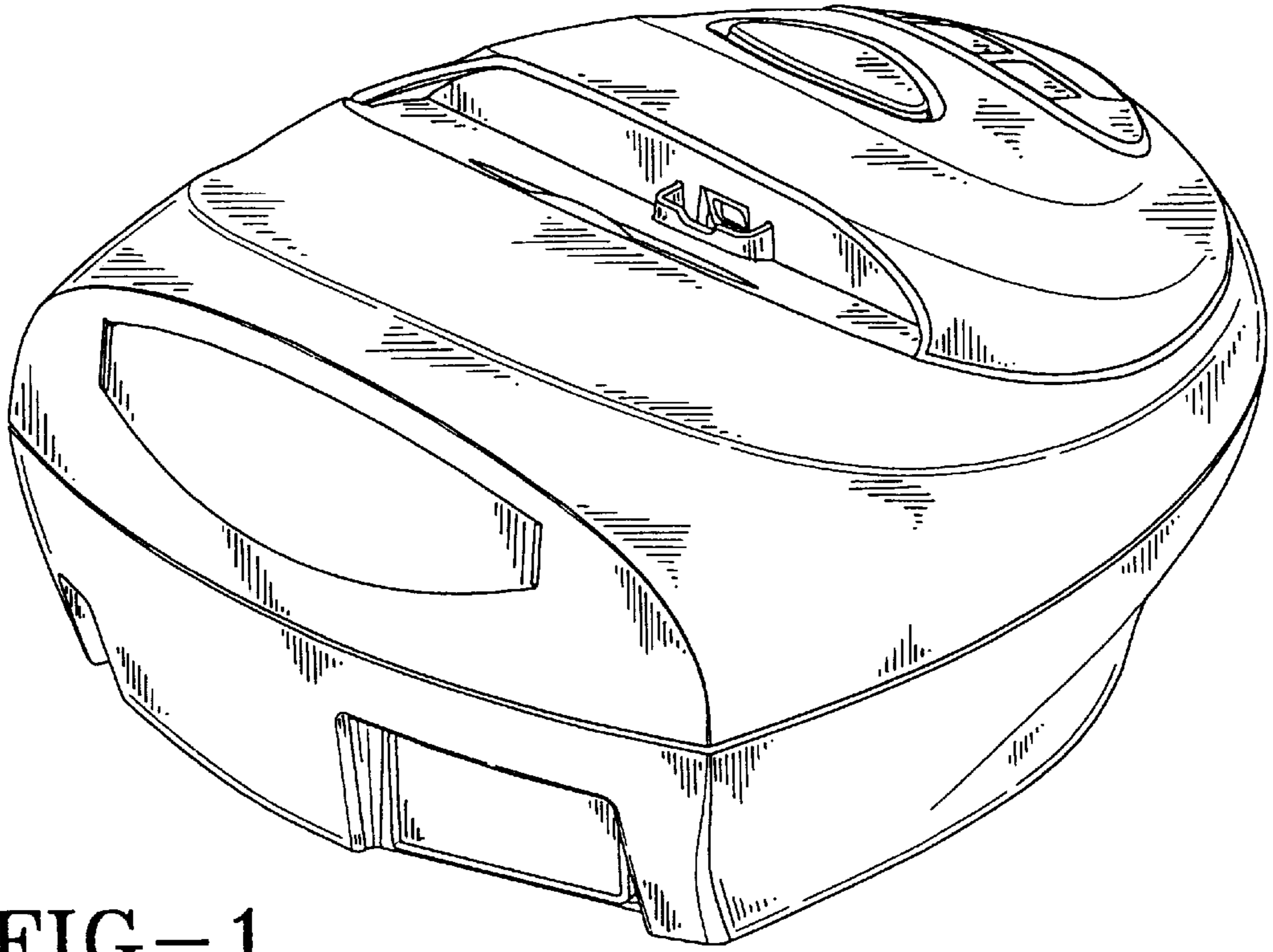


FIG-1

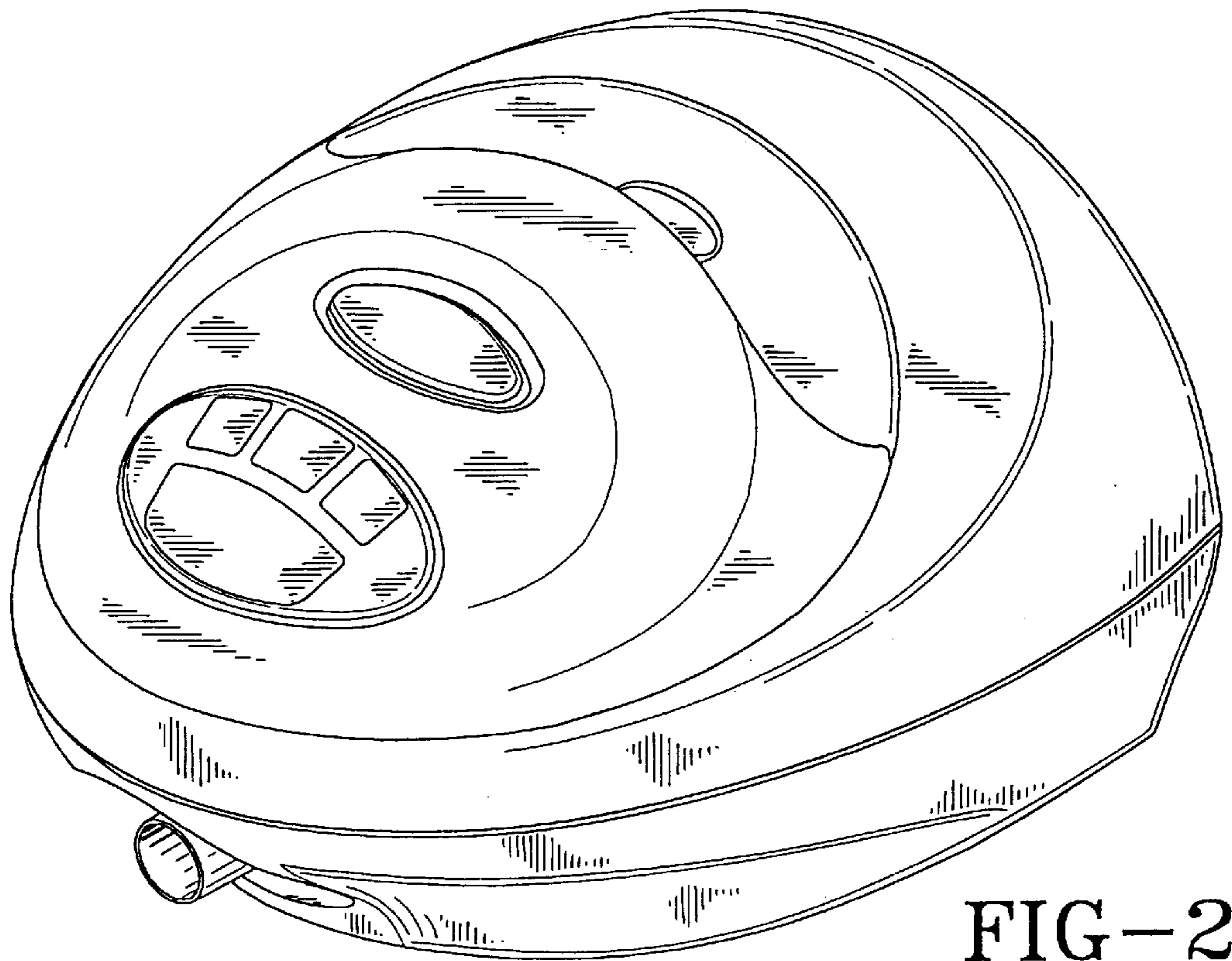


FIG-2

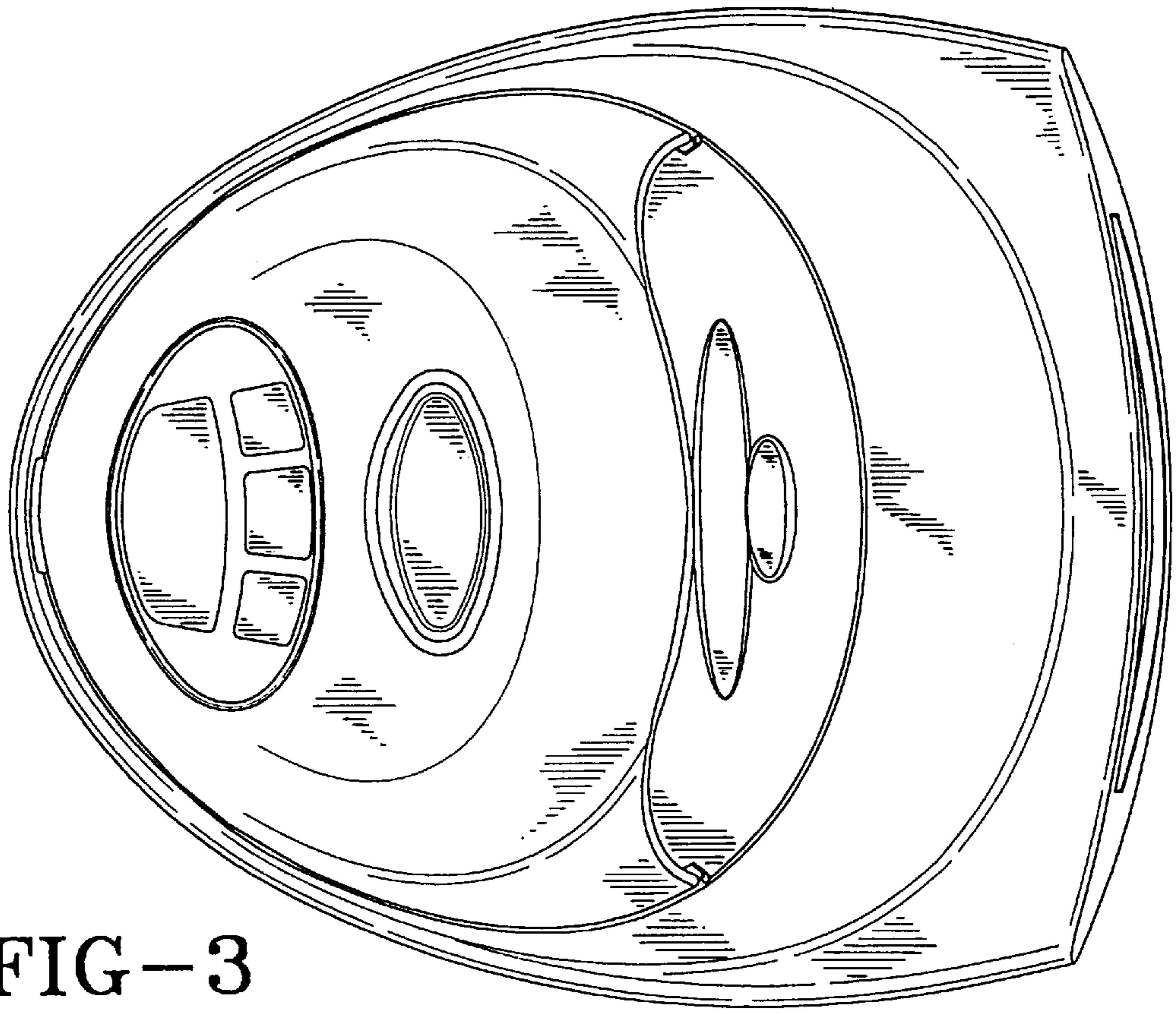


FIG-3

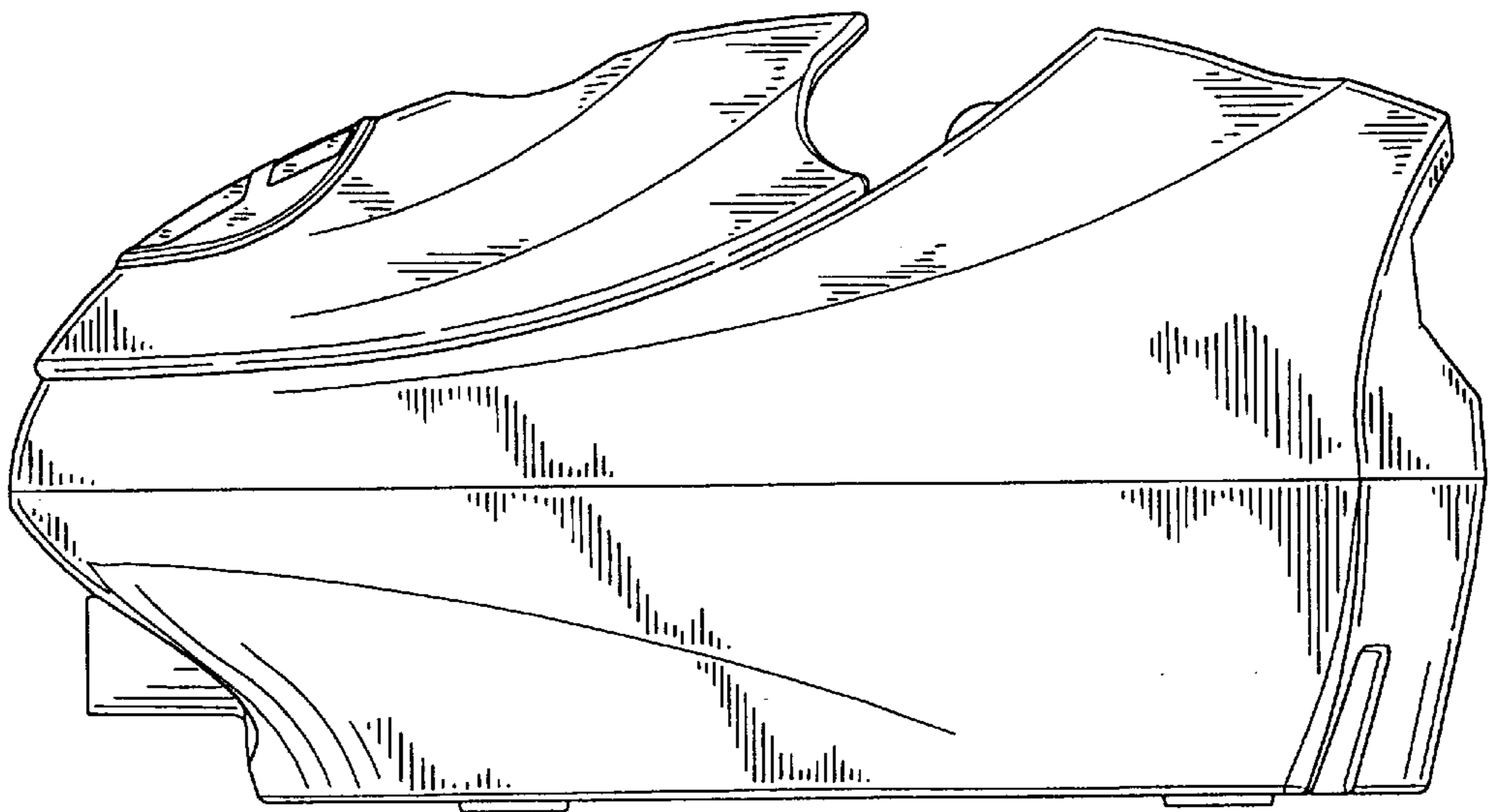


FIG-4

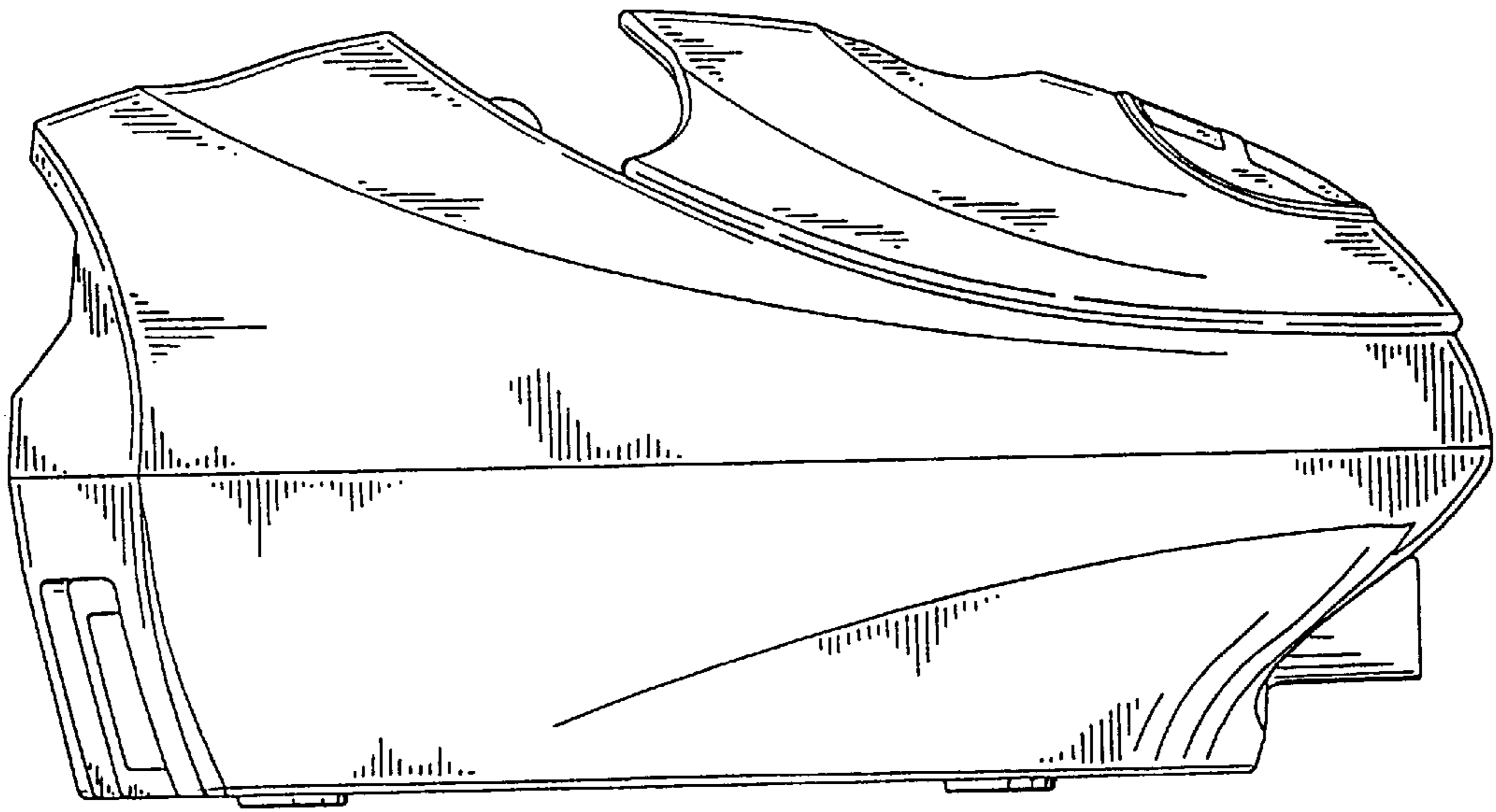


FIG-5

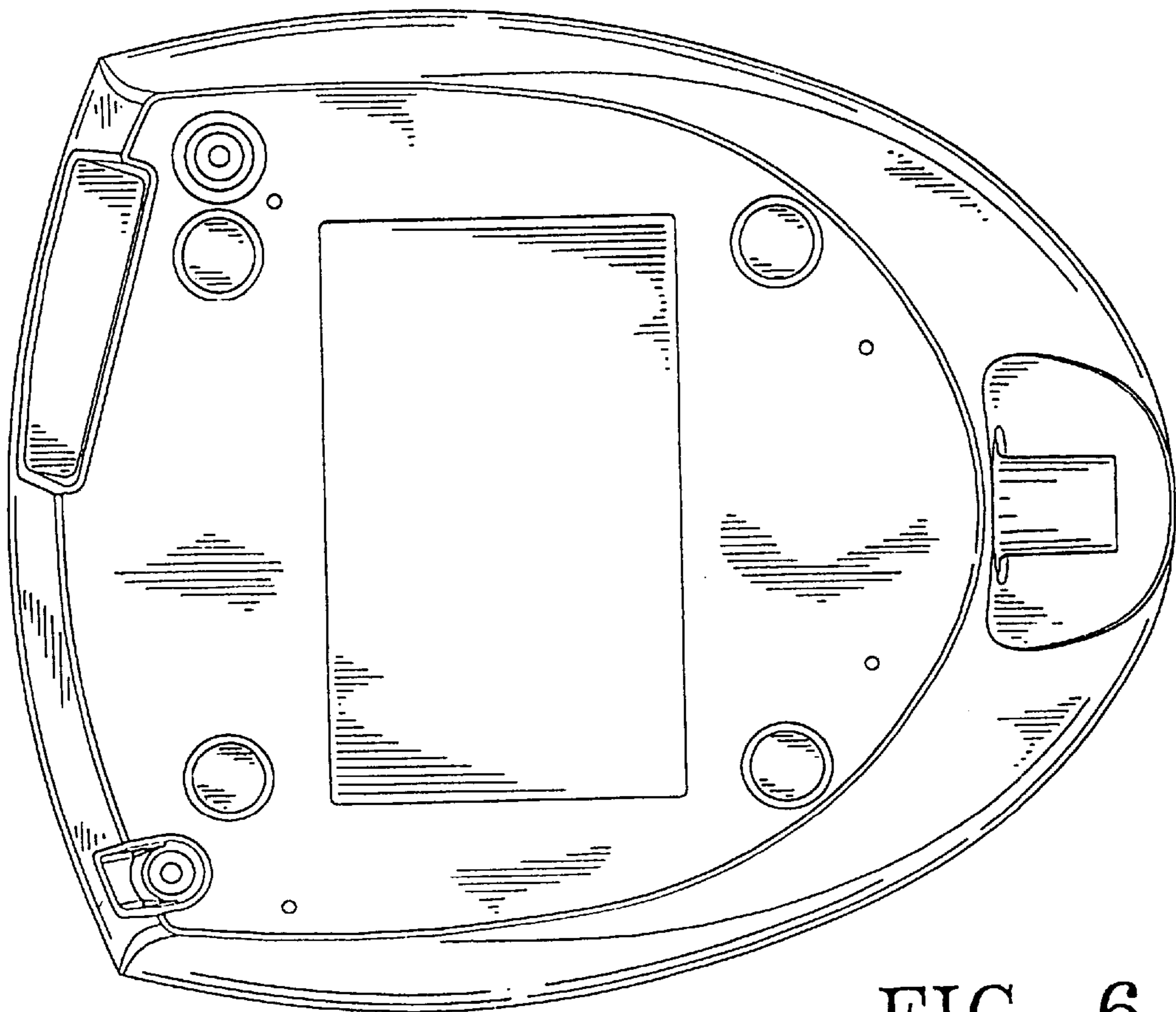


FIG-6

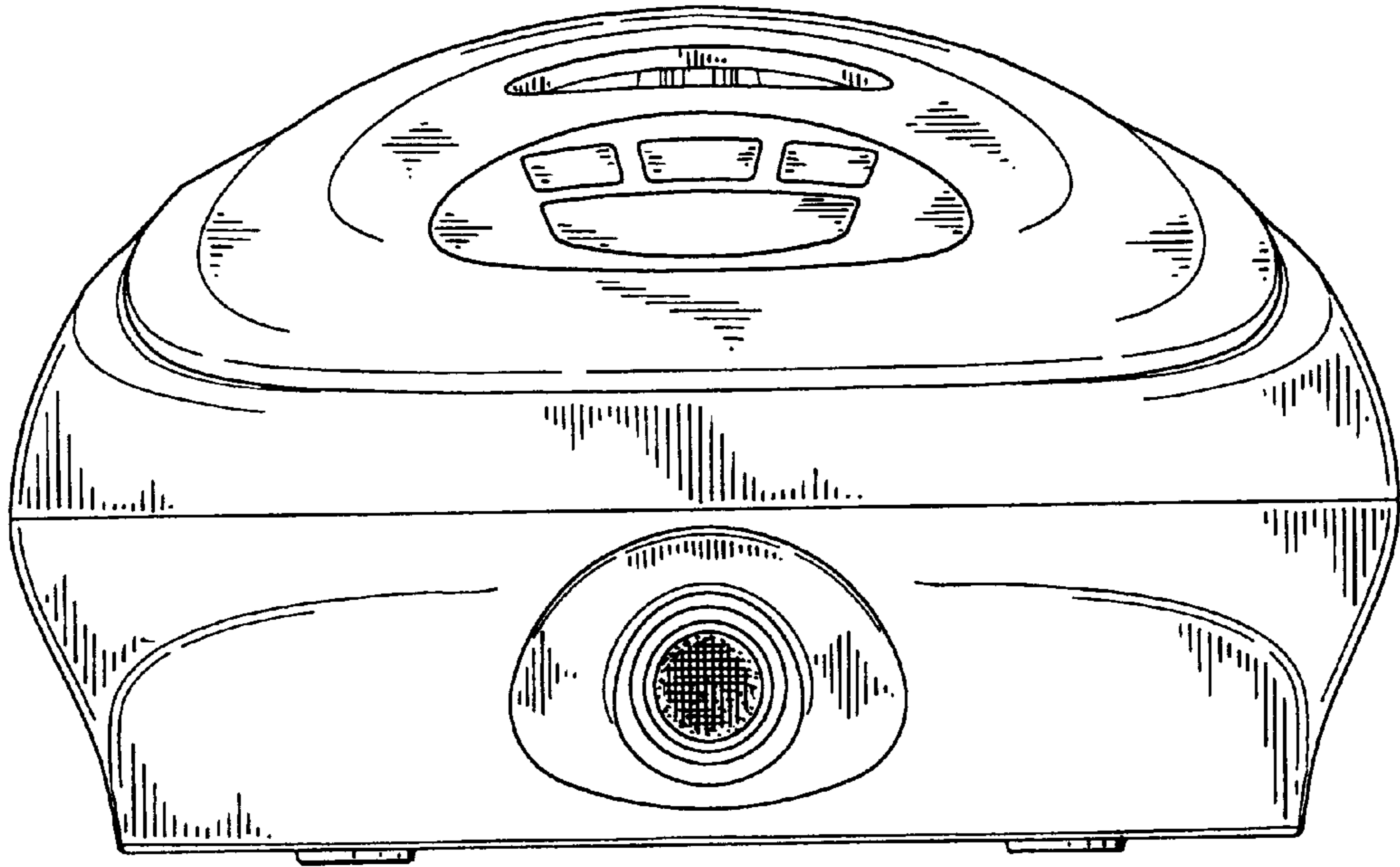


FIG-7

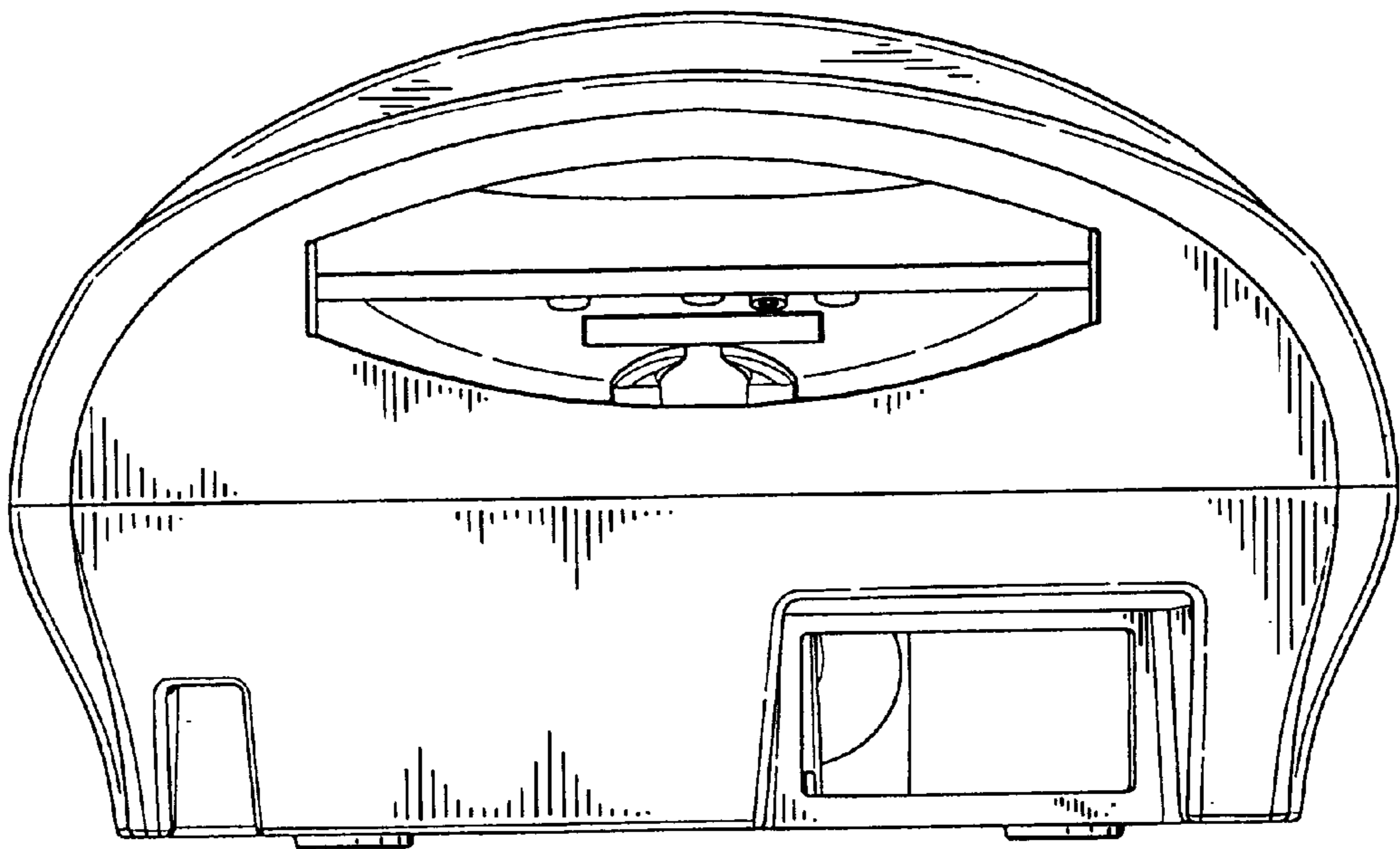


FIG-8