



US00D427673S

United States Patent [19]
Stout, Jr.

[11] **Patent Number: Des. 427,673**
[45] **Date of Patent: ** *Jul. 4, 2000**

[54] **SLEEVE COUPLING**

26059 7/1980 Sweden .
26995 12/1980 Sweden .

[75] Inventor: **William K. Stout, Jr.**, Mason, Ohio

OTHER PUBLICATIONS

[73] Assignee: **Eastern Sheet Metal, Inc.**, Cincinnati, Ohio

Ducts and Fittings Product Brochure, Lindab Ltd., Northampton, Great Britain (undated).

[*] Notice: This patent is subject to a terminal disclaimer.

Primary Examiner—Alan P. Douglas
Assistant Examiner—Reid Hecker
Attorney, Agent, or Firm—Dinsmore & Shohl LLP

[**] Term: **14 Years**

[21] Appl. No.: **29/105,205**

[57] **CLAIM**

The ornamental design for a sleeve coupling, as shown and described.

[22] Filed: **May 20, 1999**

DESCRIPTION

[51] **LOC (7) Cl.** **23-04**

[52] **U.S. Cl.** **D23/393**

[58] **Field of Search** D23/259, 262,
D23/263, 269, 386, 387, 393; D8/382;
285/95, 109, 294.1, 331, 336, 417, 424,
910, 918; 277/602, 608, 625, 626, 607

FIG. 1 is a side plan view of a first embodiment of the sleeve coupling;
FIG. 2 is a front view of the sleeve coupling of FIG. 1;
FIG. 3 is a top view of the sleeve coupling of FIG. 1;
FIG. 4 is a bottom view of the sleeve coupling of FIG. 1;
FIG. 5 is a side plan view of a second embodiment of the sleeve coupling;
FIG. 6 is a front view of the sleeve coupling of FIG. 5;
FIG. 7 is a top view of the sleeve coupling of FIG. 5;
FIG. 8 is a bottom view of the sleeve coupling of FIG. 5;
FIG. 9 is a side plan view of a third embodiment of the sleeve coupling;
FIG. 10 is a front view of the sleeve coupling of FIG. 9;
FIG. 11 is a top view of the sleeve coupling of FIG. 9;
FIG. 12 is a bottom view of the sleeve coupling of FIG. 9;
FIG. 13 is a side plan view of a fourth embodiment of the sleeve coupling;
FIG. 14 is a front view of the sleeve coupling of FIG. 13;
FIG. 15 is a top view of the sleeve coupling of FIG. 13;
FIG. 16 is a bottom view of the sleeve coupling of FIG. 13;
FIG. 17 is a side plan view of a fifth embodiment of the sleeve coupling;
FIG. 18 is a front view of the sleeve coupling of FIG. 17;
FIG. 19 is a top view of the sleeve coupling of FIG. 17; and,
FIG. 20 is a bottom view of the sleeve coupling of FIG. 17.
The broken lines shown in FIGS. 1 and 2 are for illustrative purposes only and form no part of the claimed design.

[56] **References Cited**

U.S. PATENT DOCUMENTS

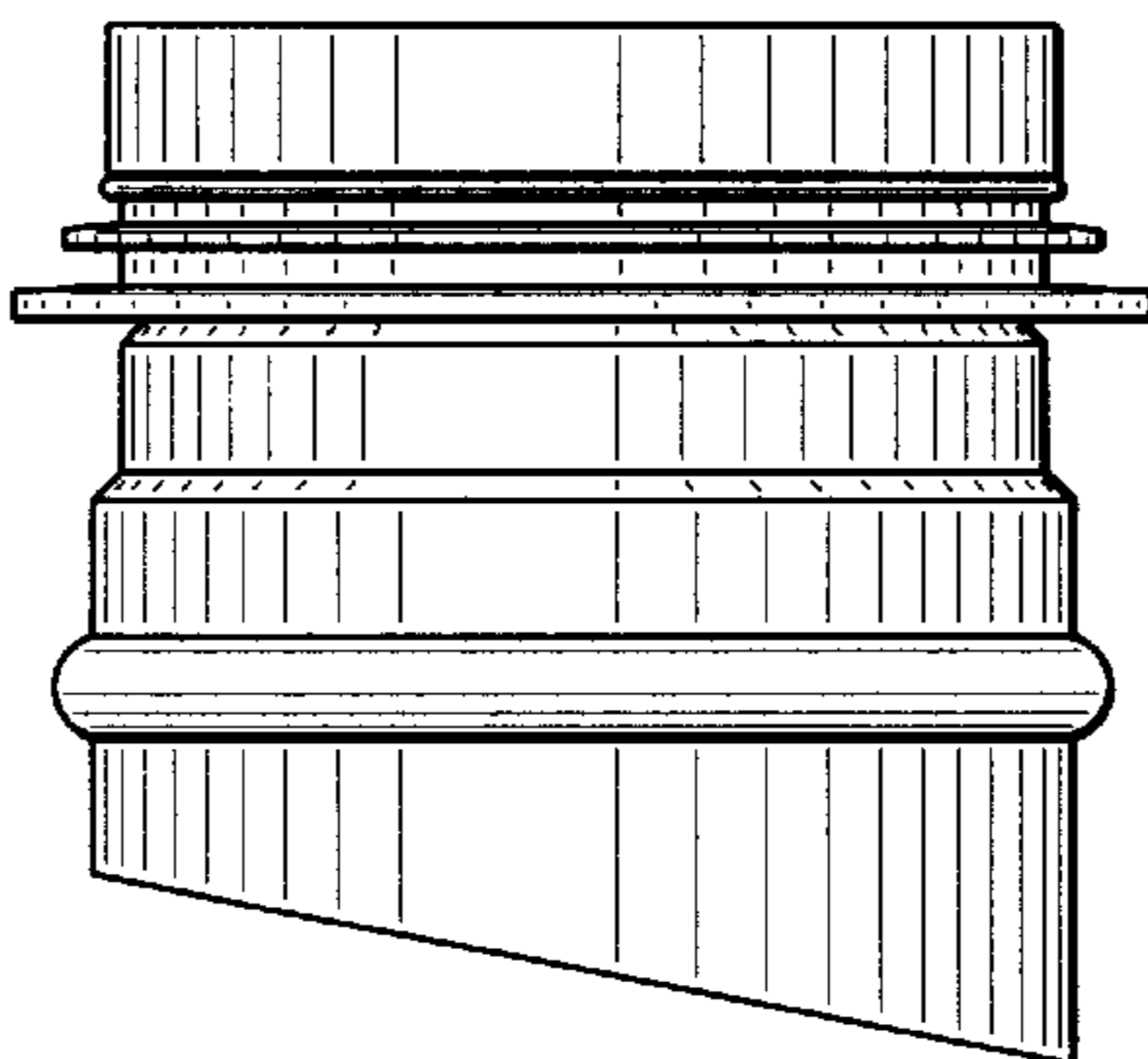
- D. 25,709 6/1896 Pratt .
- D. 234,847 4/1975 Hoffman .
- D. 273,702 5/1984 Widerby et al. D23/393
- D. 360,018 7/1995 Sondén et al. .
- D. 360,019 7/1995 Sondén et al. .
- D. 360,020 7/1995 Sondén et al. .
- D. 360,021 7/1995 Sondén et al. .
- D. 361,829 8/1995 Sondén et al. .
- D. 362,299 9/1995 Sondén et al. .
- D. 362,300 9/1995 Sondén et al. .
- D. 363,115 10/1995 Lennartsson .
- D. 367,316 2/1996 Sondén et al. .
- D. 368,304 3/1996 Morrison .

(List continued on next page.)

FOREIGN PATENT DOCUMENTS

- 13987 1/1974 Sweden .
- 17788 4/1976 Sweden .
- 19819 4/1977 Sweden .
- 25473 4/1980 Sweden .
- 25610 4/1980 Sweden .

1 Claim, 5 Drawing Sheets



U.S. PATENT DOCUMENTS					
			1,570,974	1/1926	Stevens D23/269
			2,544,108	3/1951	Richardson .
			2,930,635	3/1960	Woodling .
			3,955,834	5/1976	Ahlrot .
			4,007,941	2/1977	Stancati .
			4,050,703	9/1977	Tuvesson et al. .
			5,405,174	4/1995	Sondén et al. .
			5,531,460	7/1996	Stefansson et al. .
			5,599,600	2/1997	Rau .
			5,649,662	7/1997	Krichau et al. .
D. 377,829	2/1997	Andersen .			
D. 383,053	9/1997	Schrader et al. .			
D. 383,195	9/1997	Sondén et al. .			
D. 383,196	9/1997	Sondén et al. .			
D. 386,246	11/1997	Sondén et al. .			
D. 402,354	12/1998	Strong et al. D23/259			
D. 407,802	4/1999	Hatfield et al. .			
1,565,918	12/1925	Fitzgerald .			

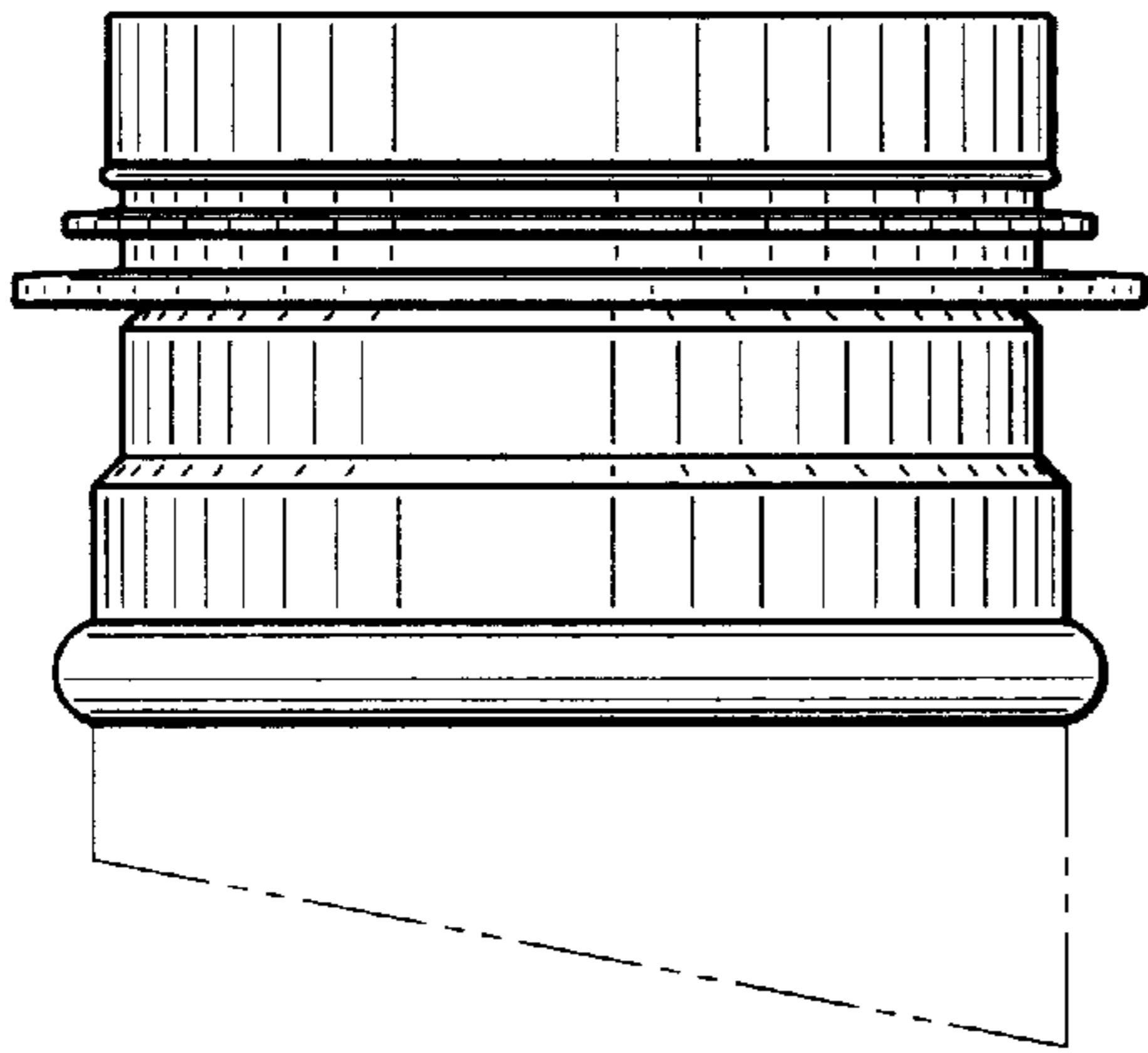


FIG. 1

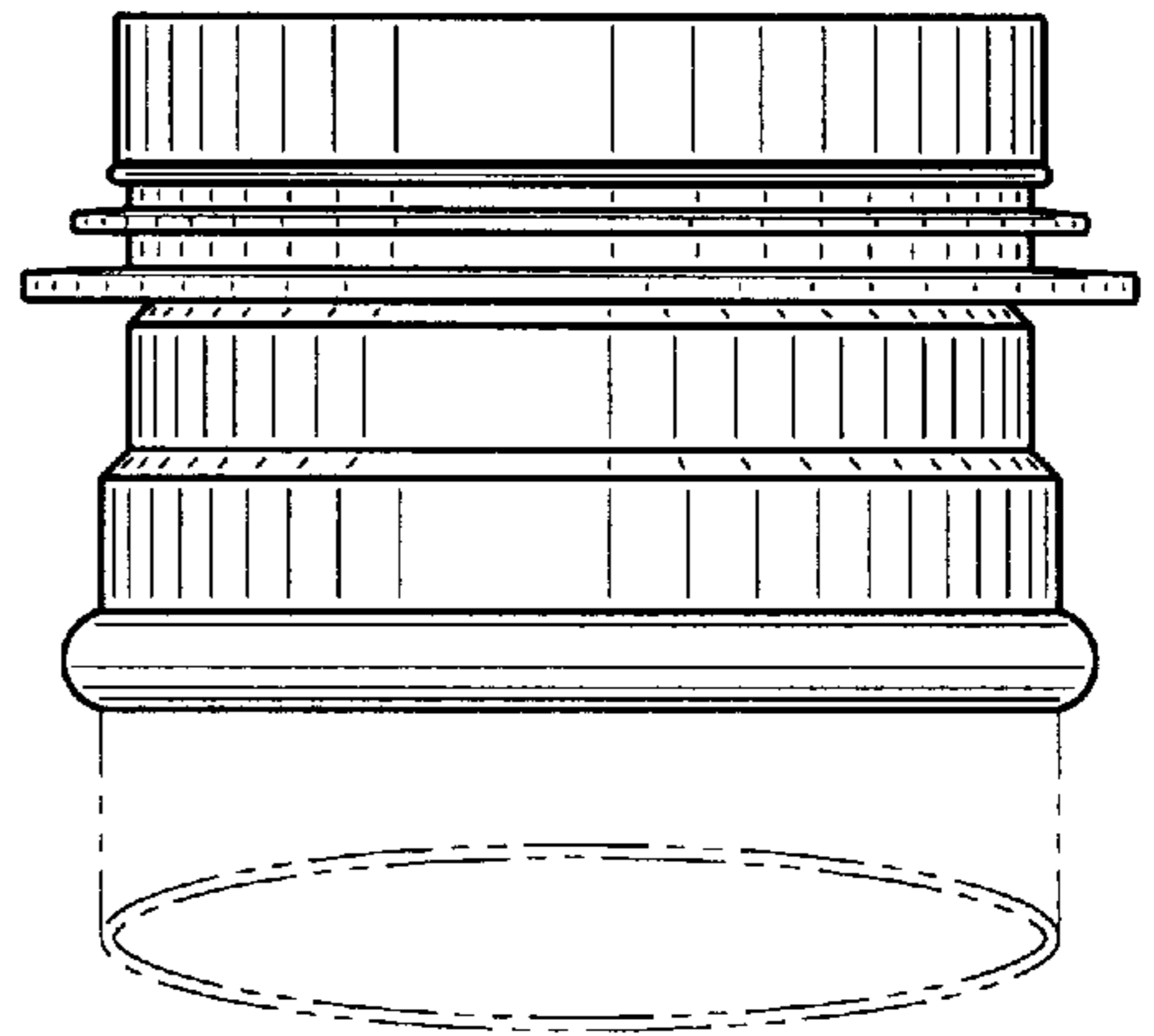


FIG. 2

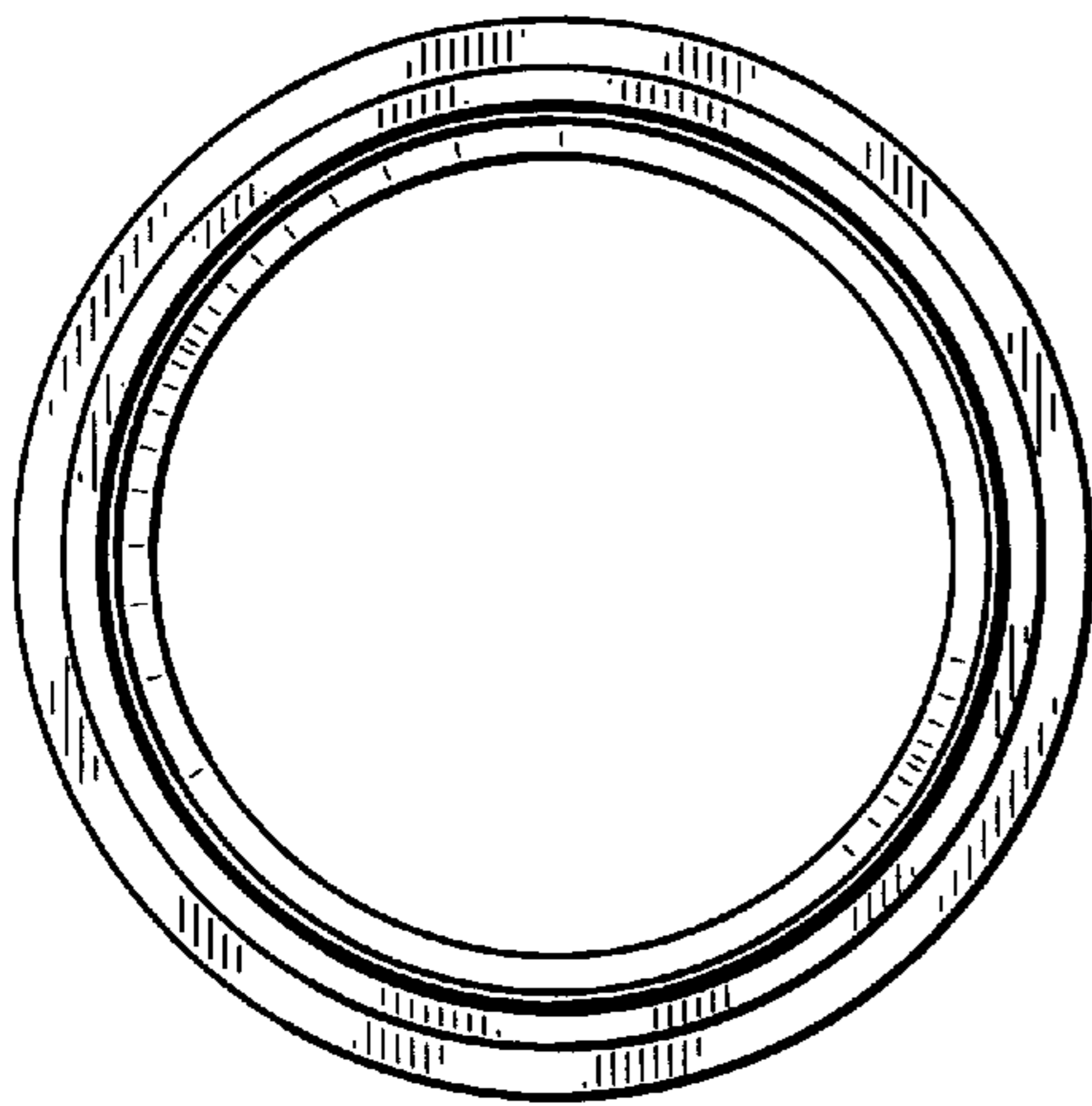


FIG. 3

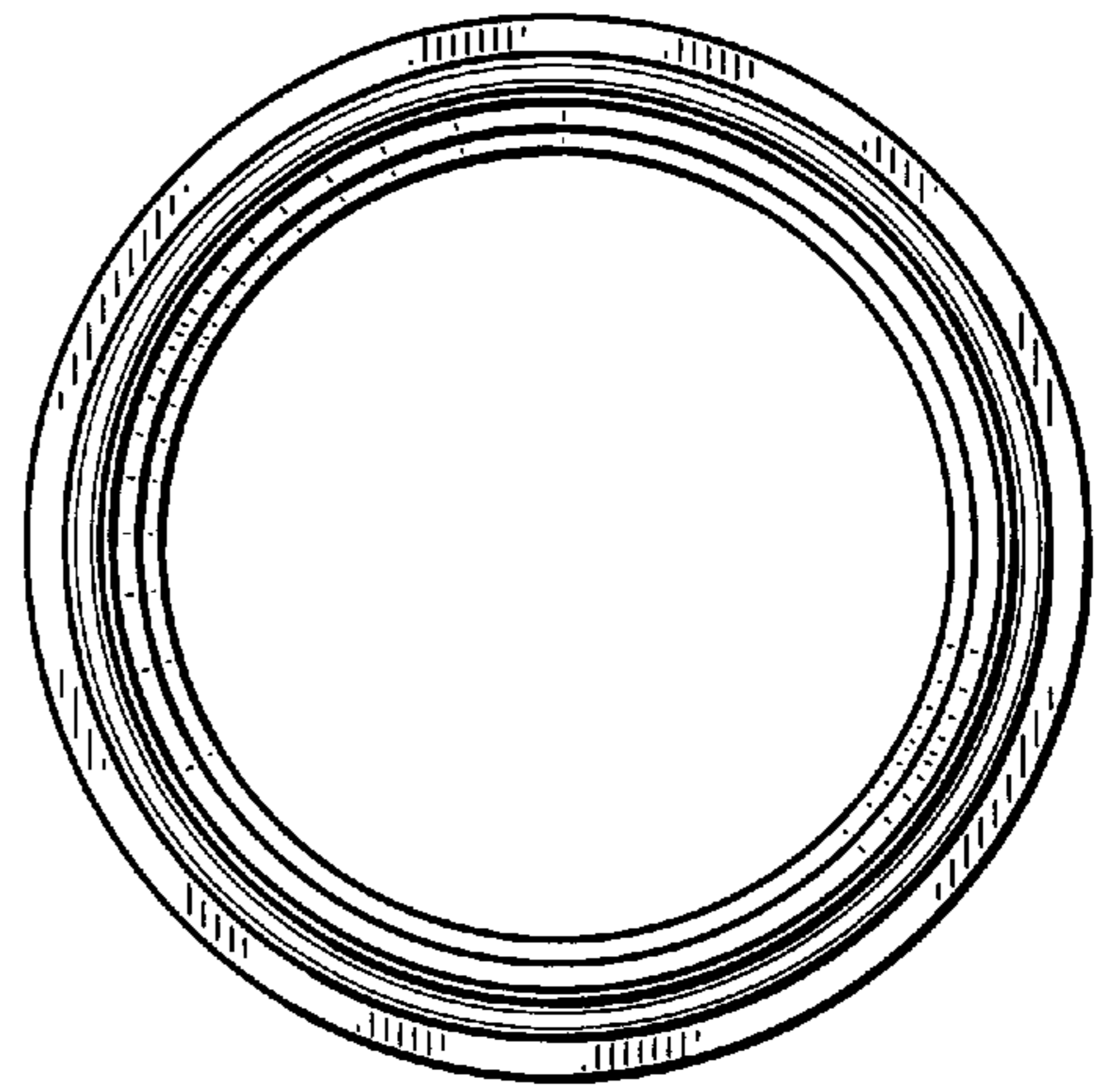


FIG. 4

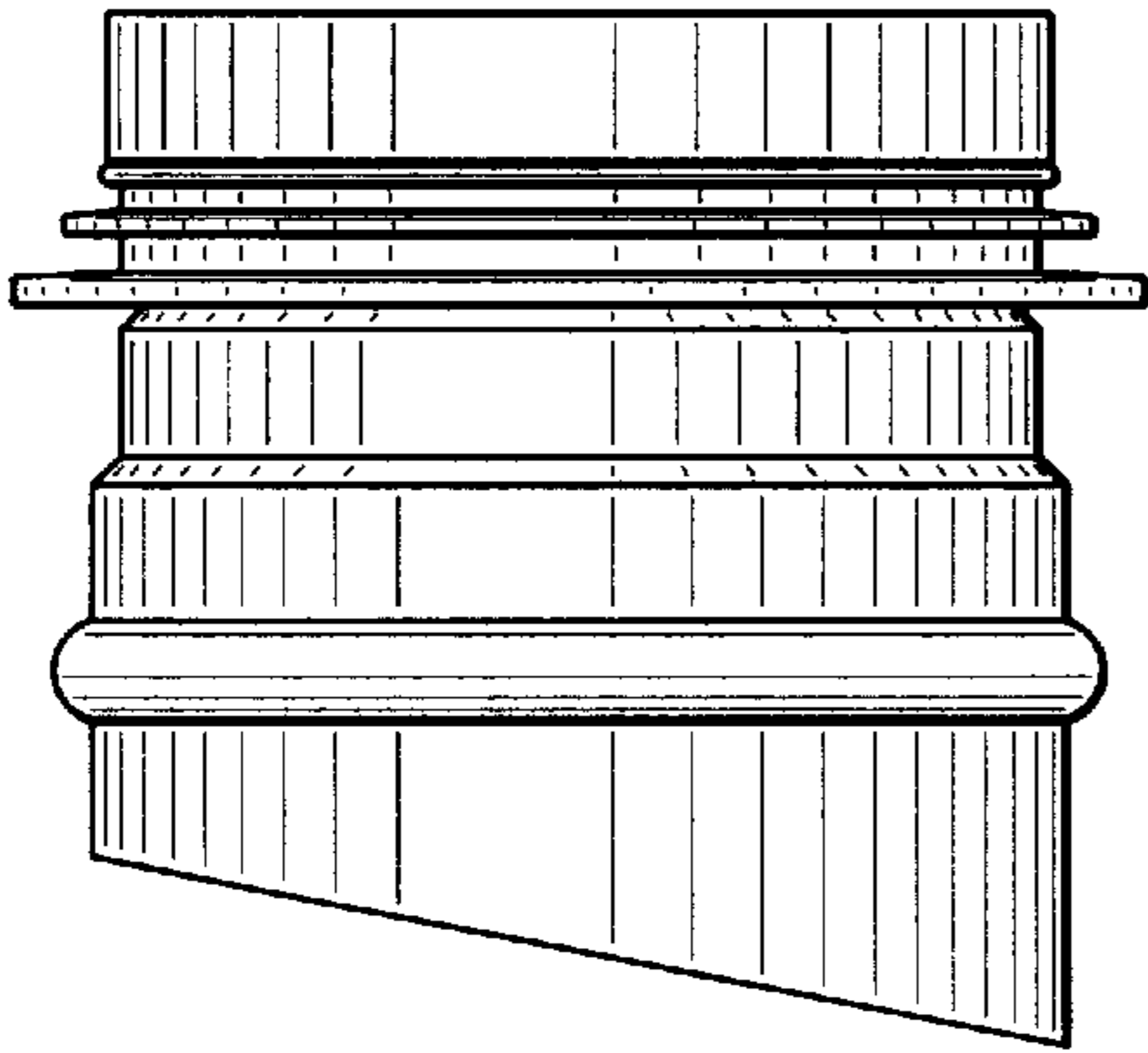


FIG. 5

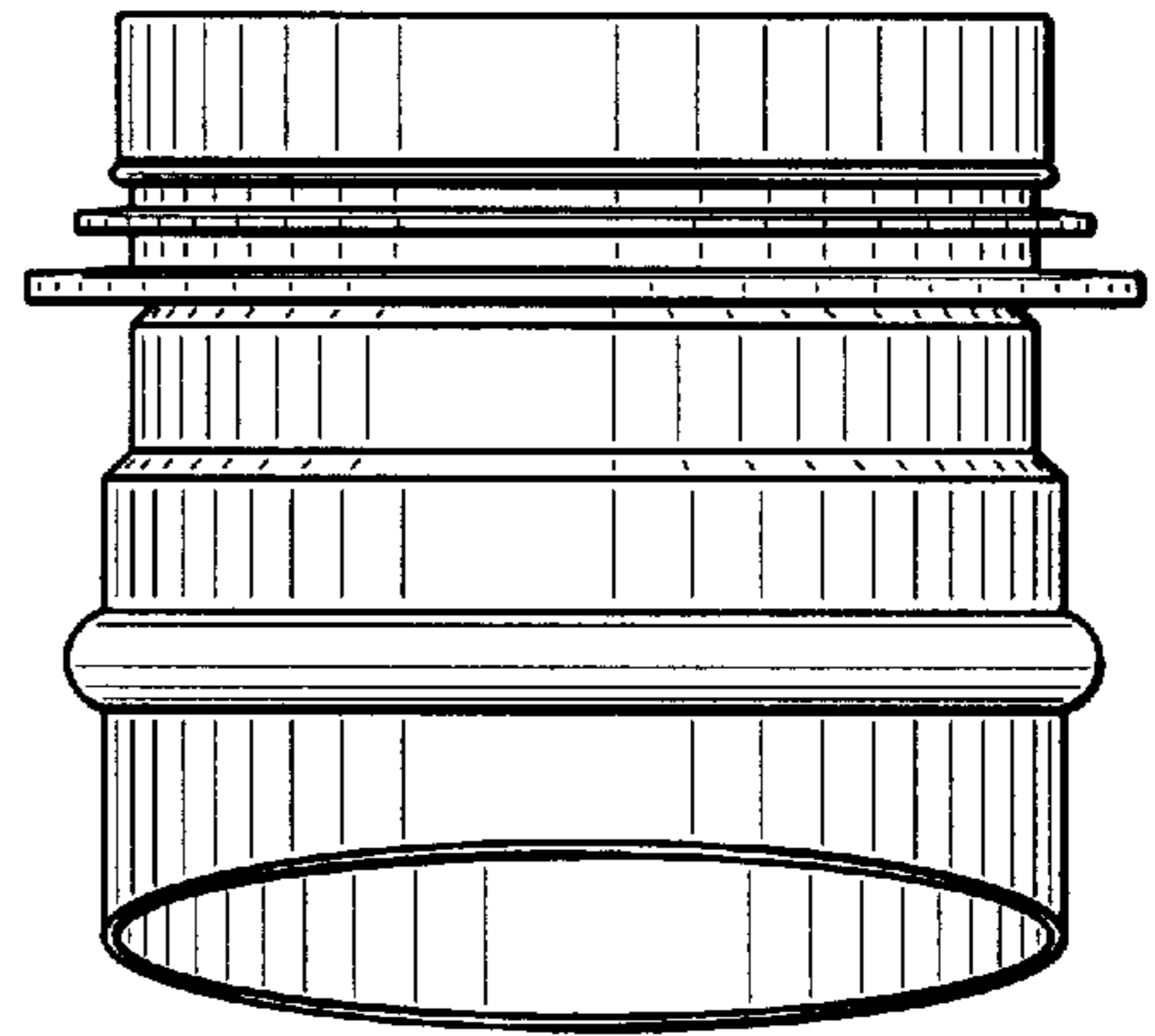


FIG. 6

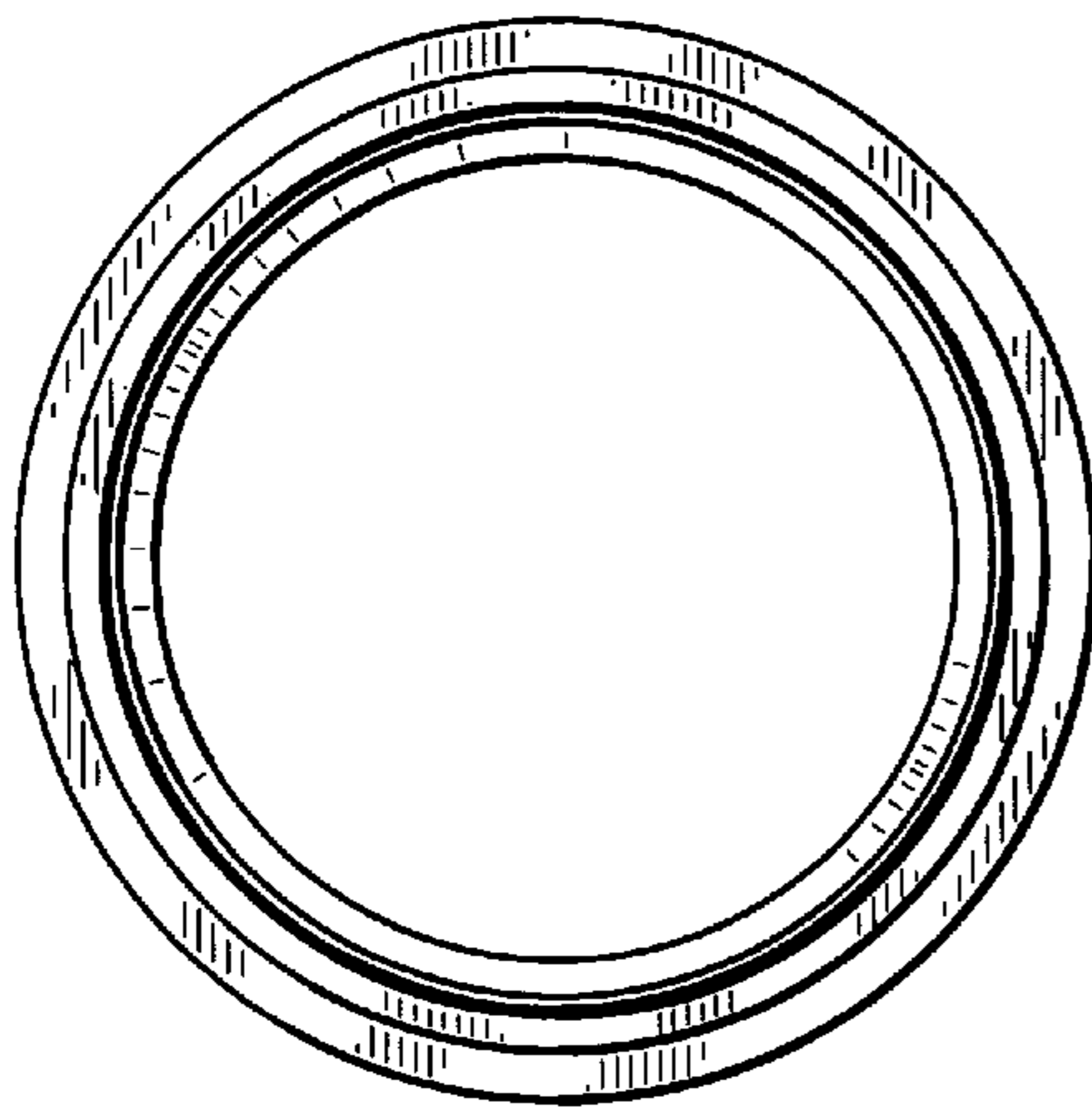


FIG. 7

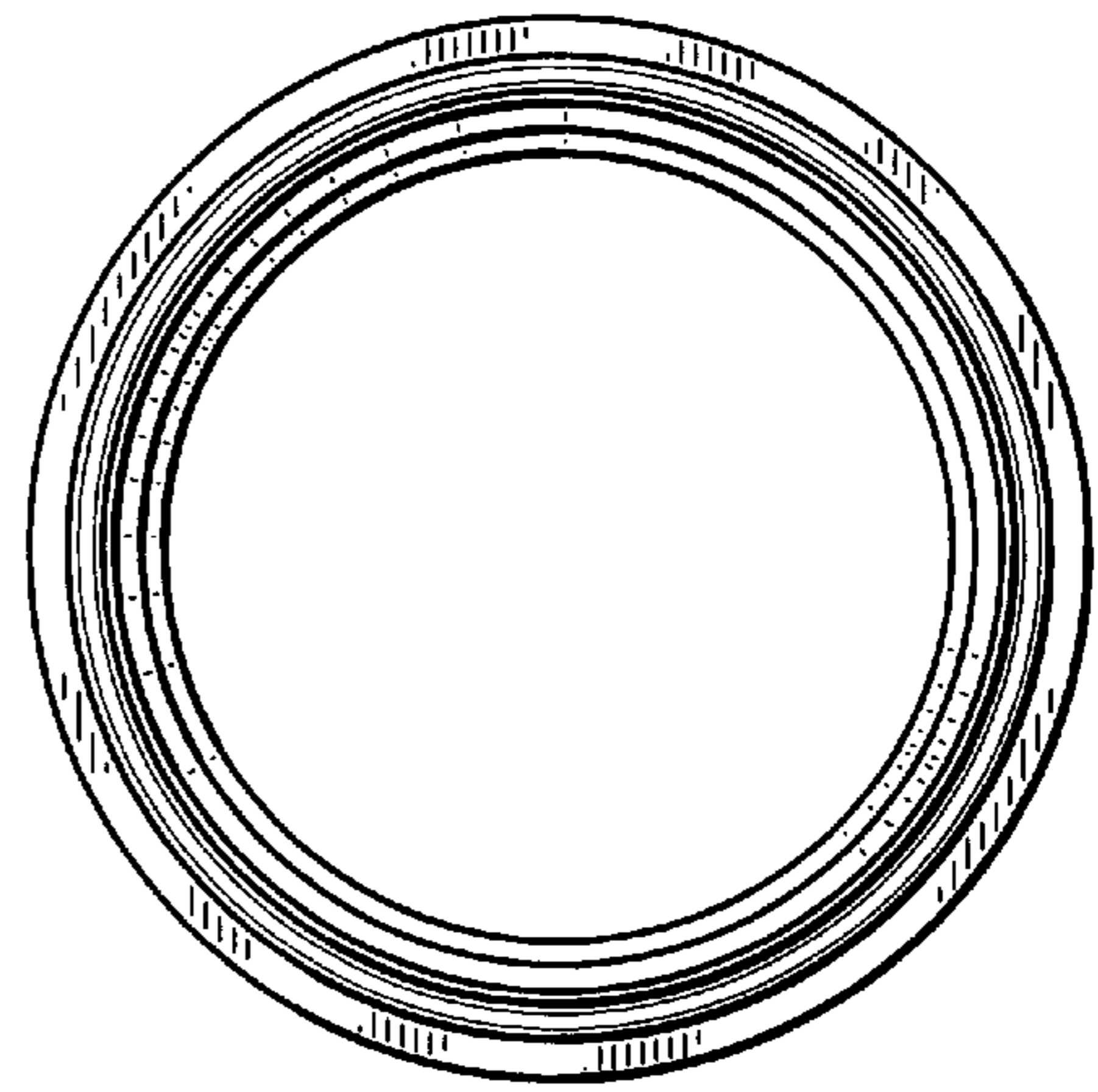


FIG. 8

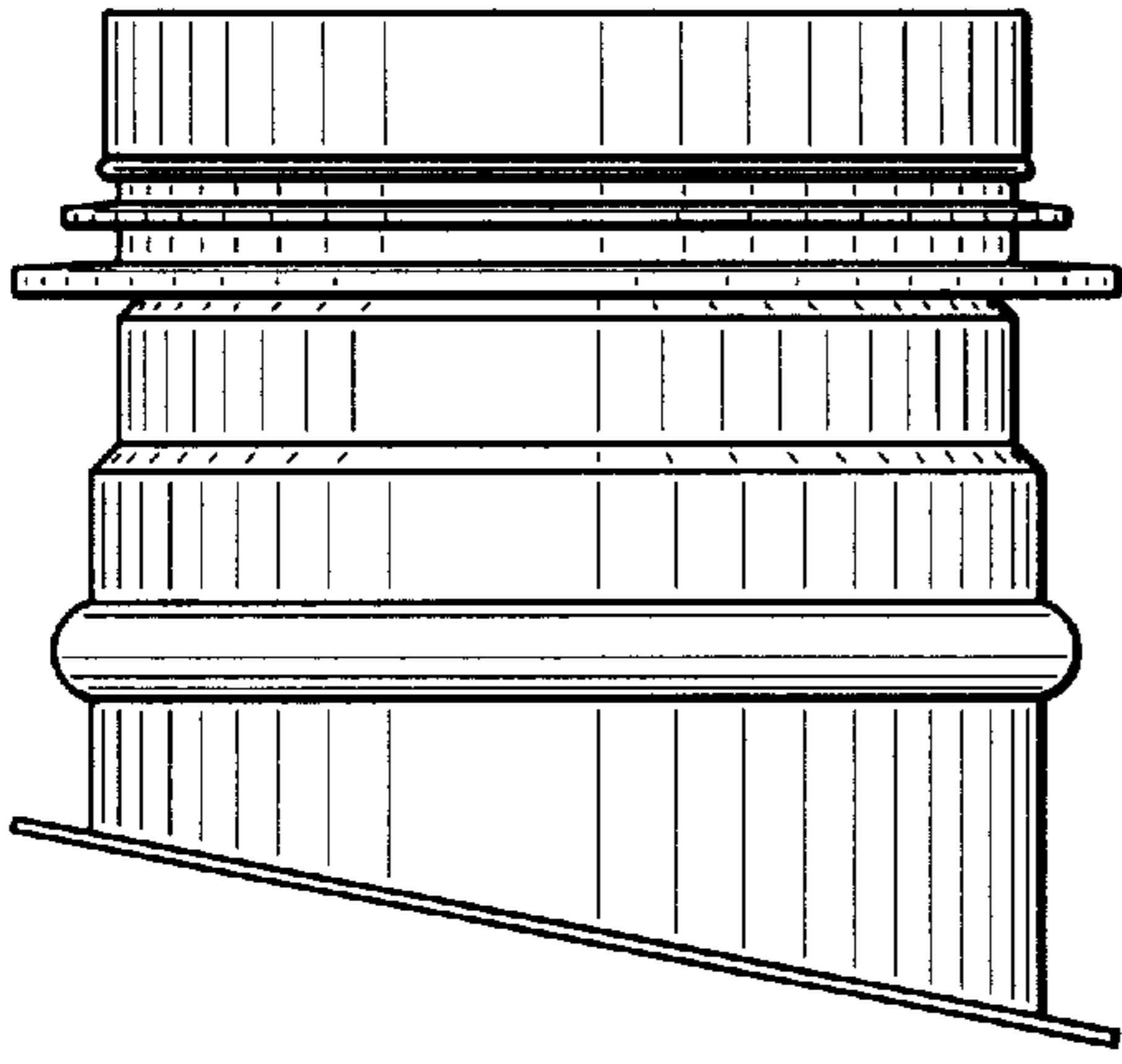


FIG. 9

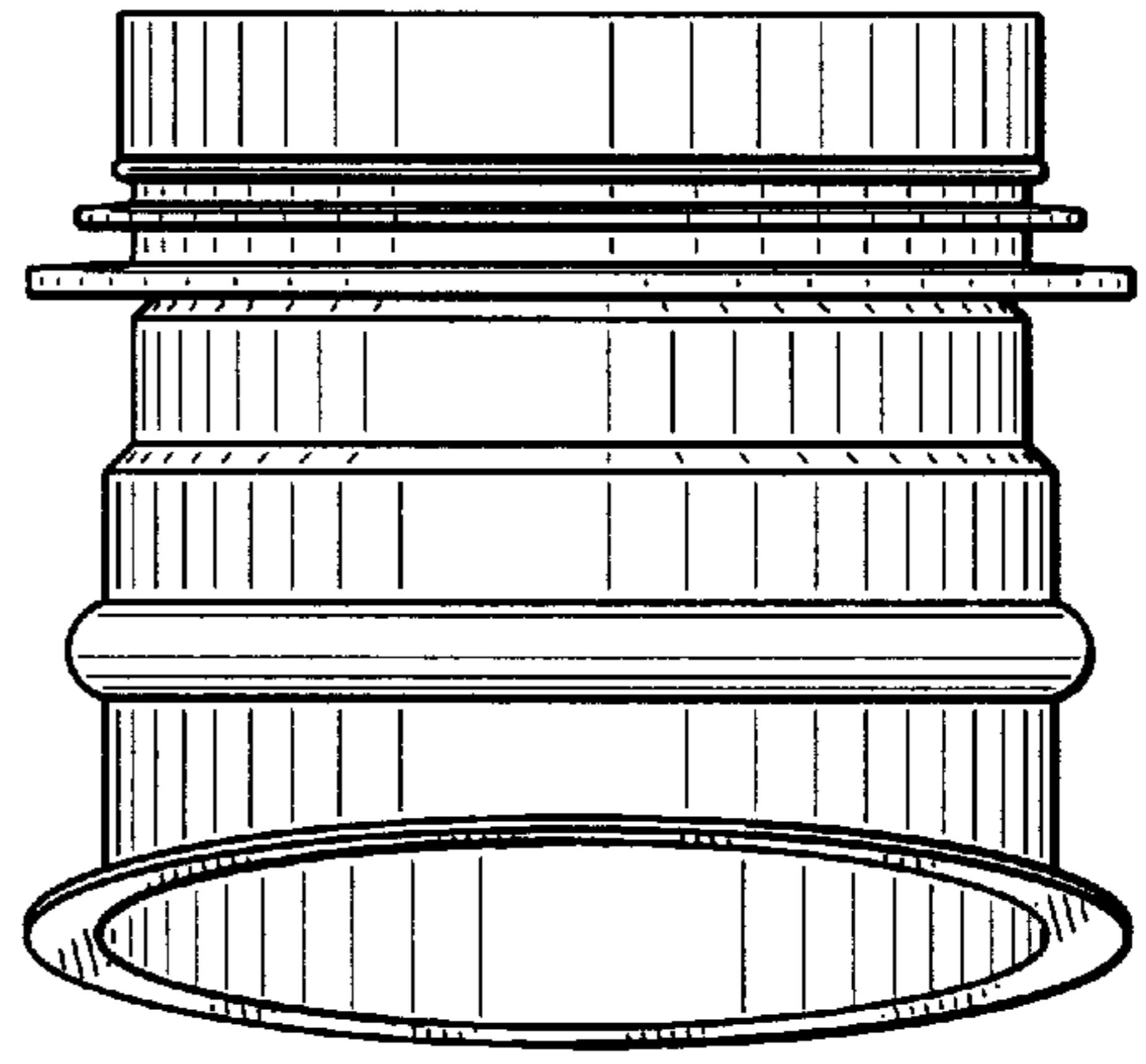


FIG. 10

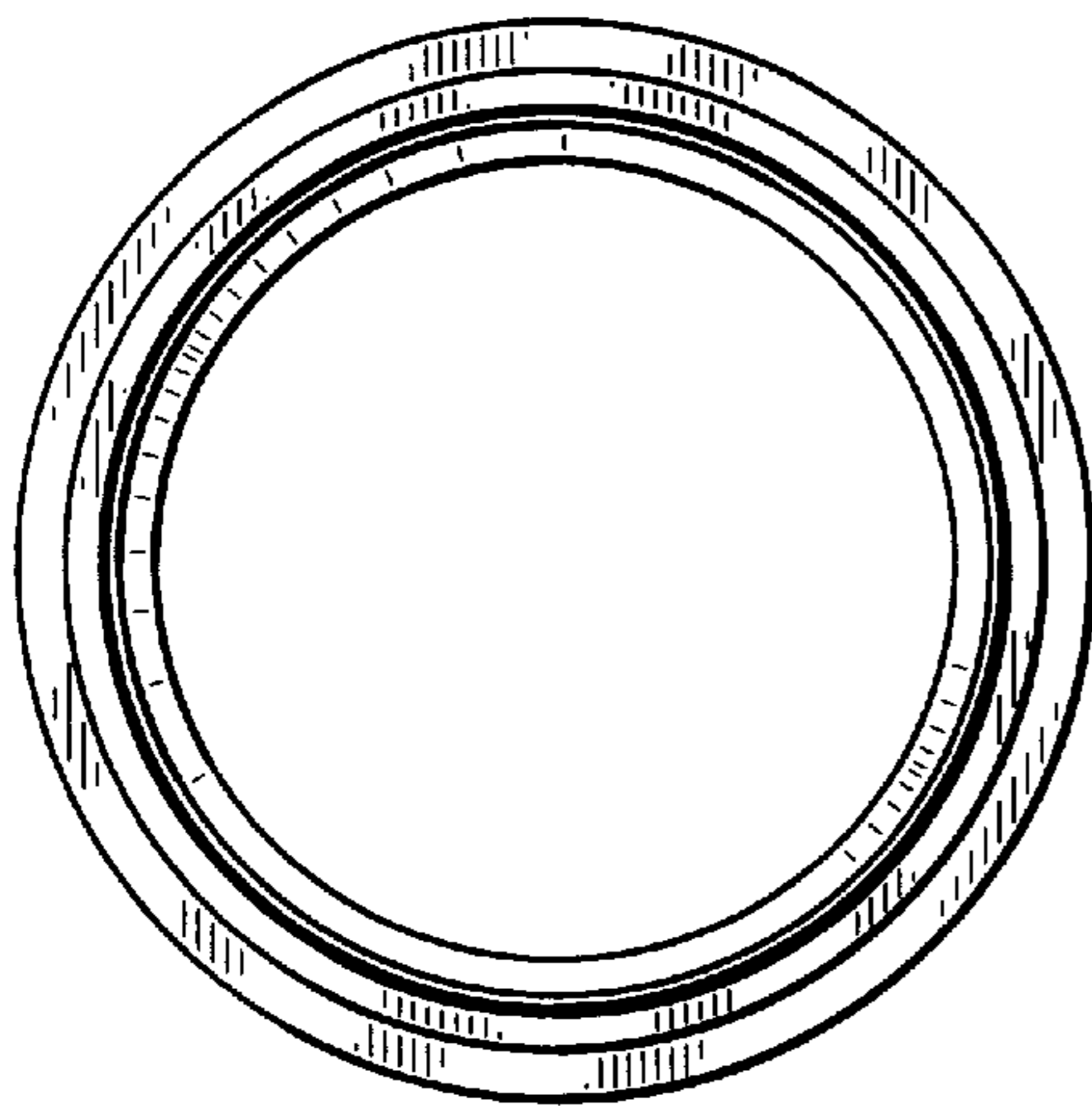


FIG. 11

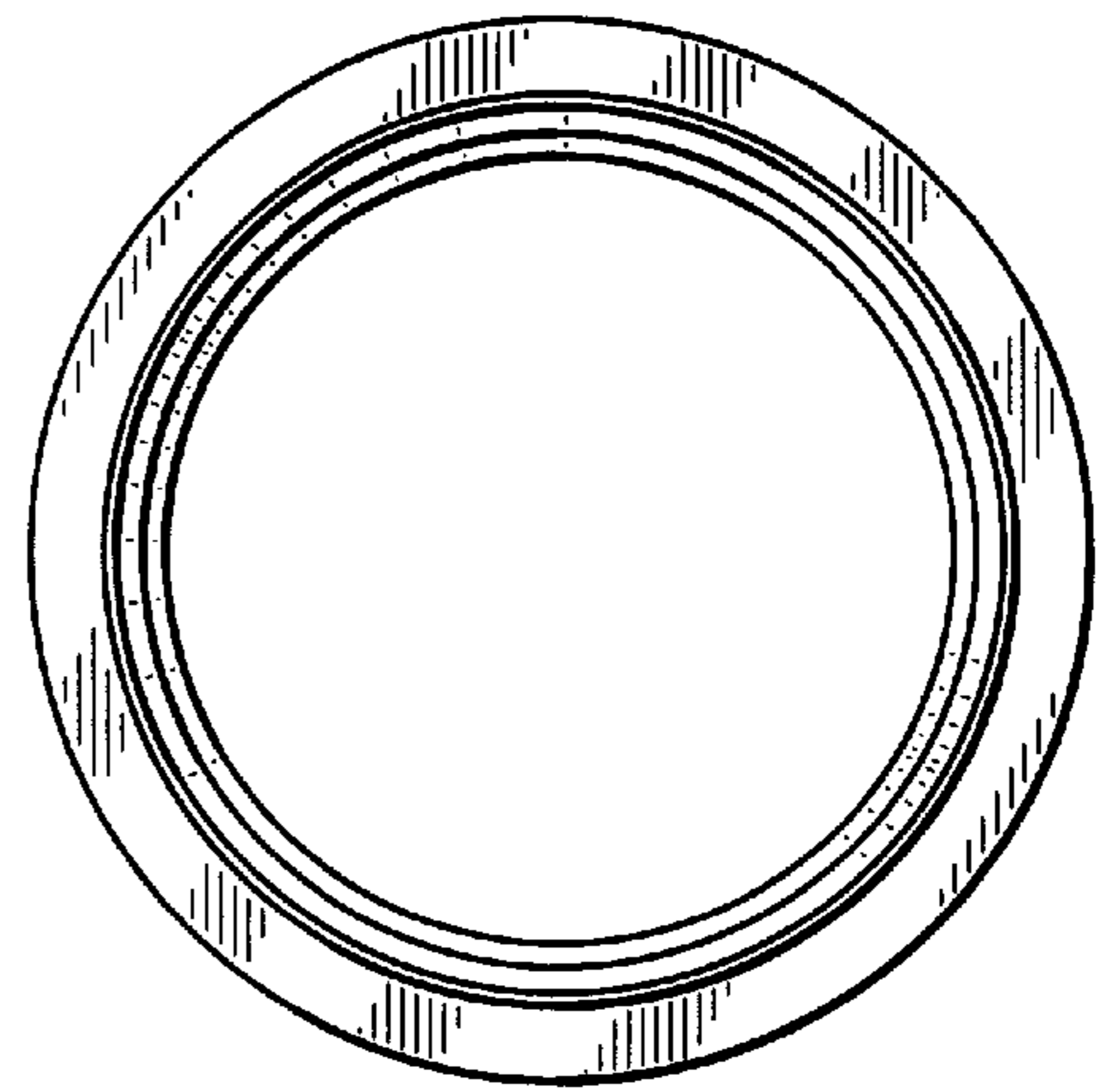


FIG. 12

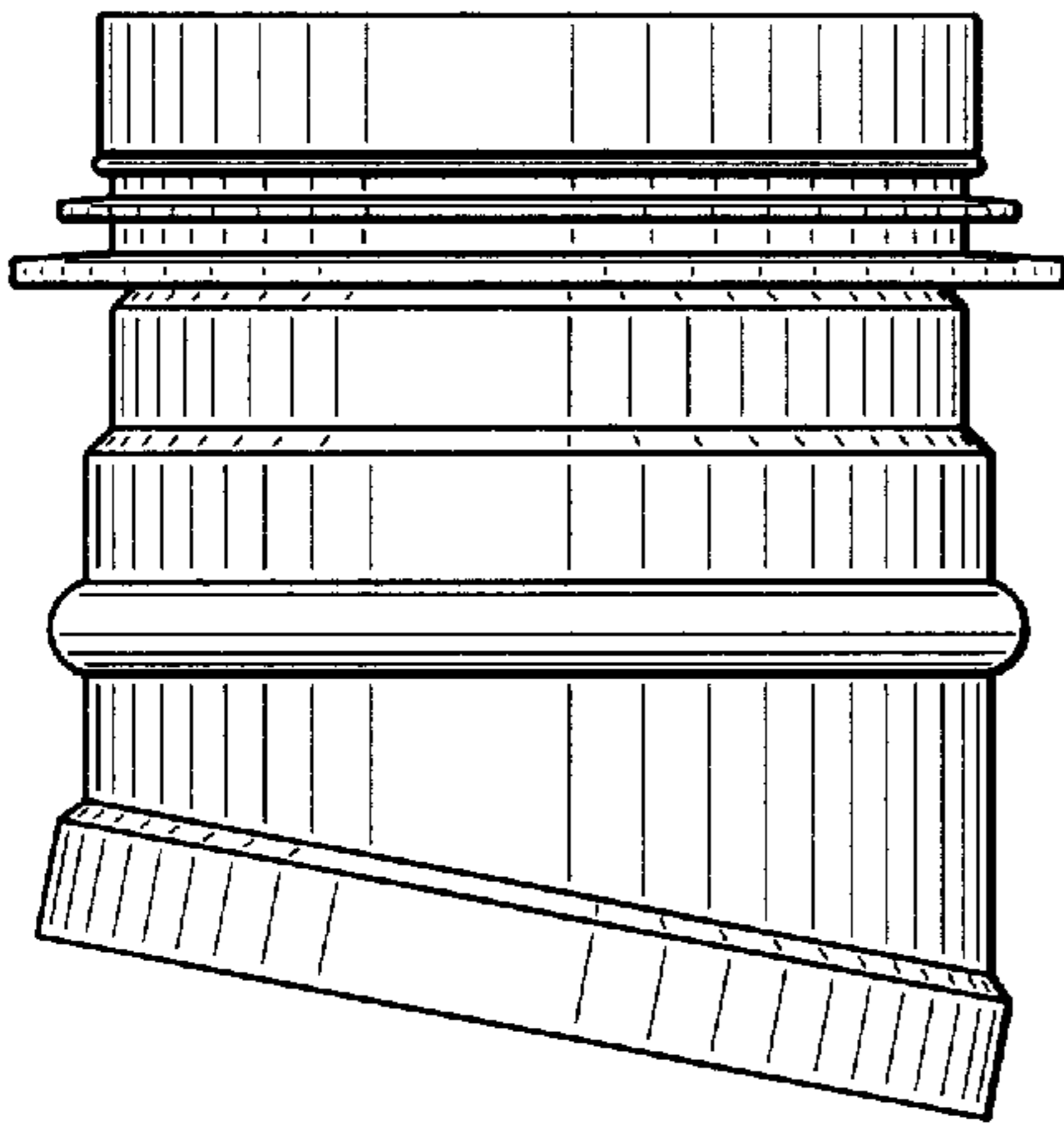


FIG. 13

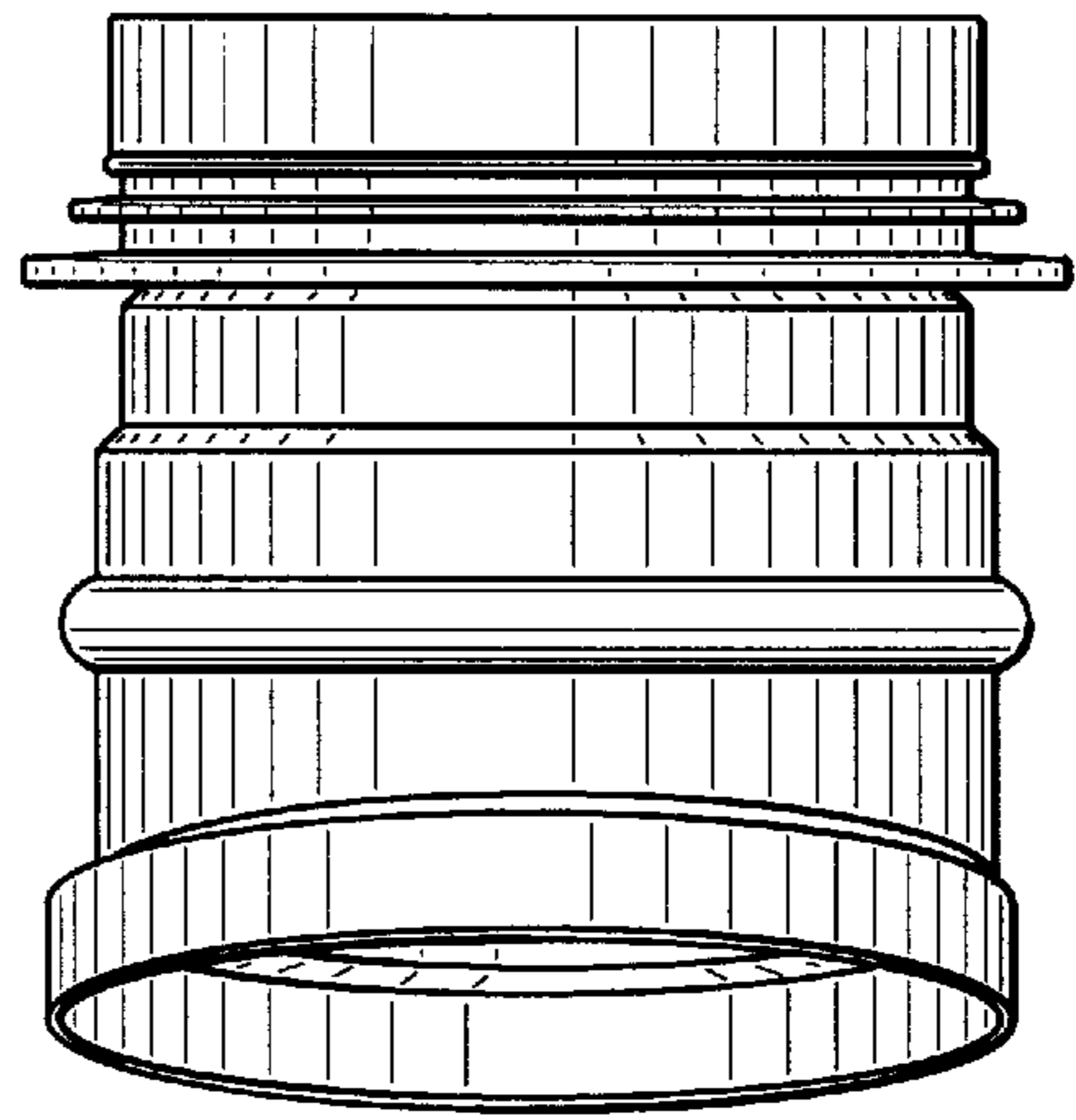


FIG. 14

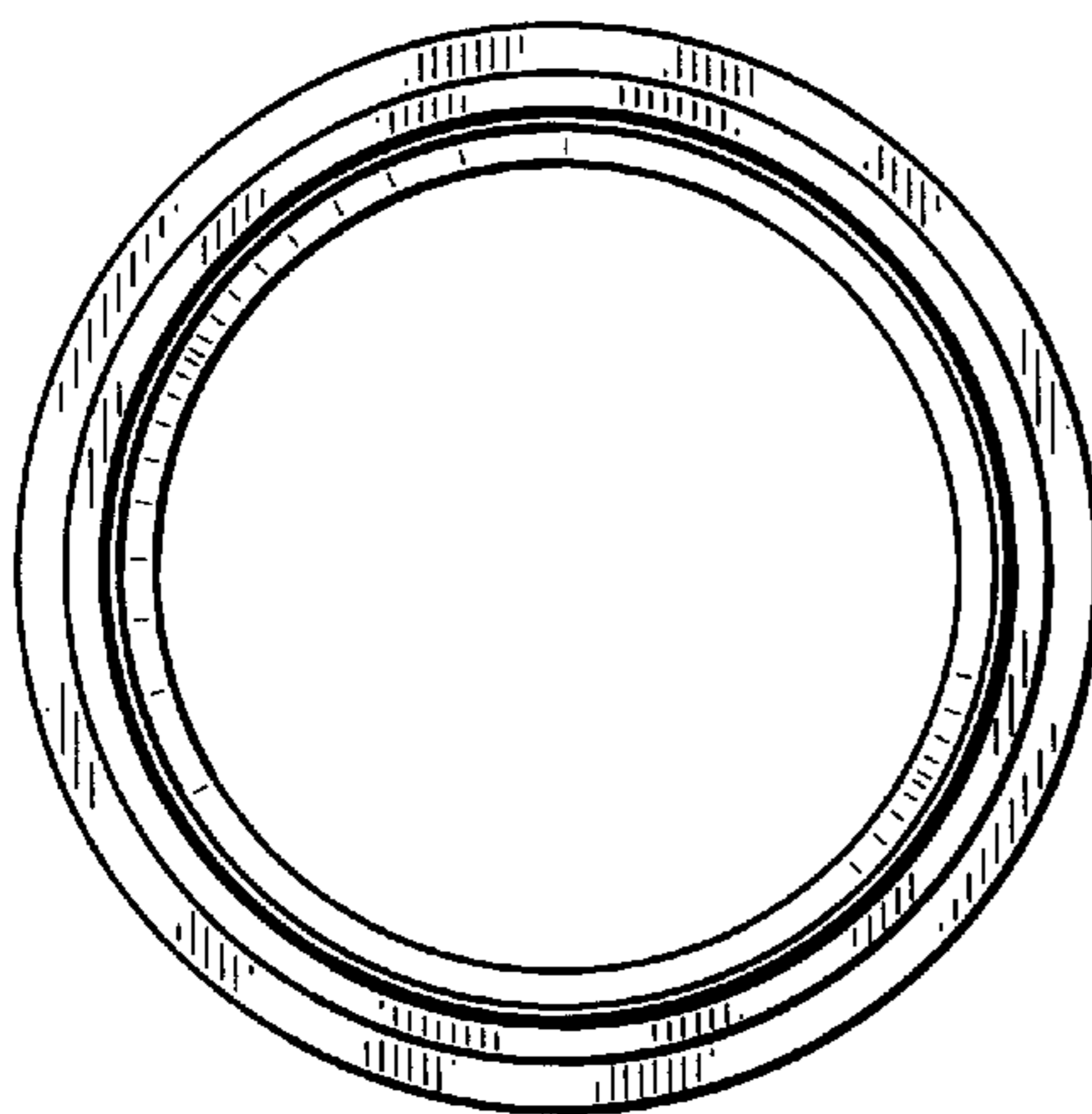


FIG. 15

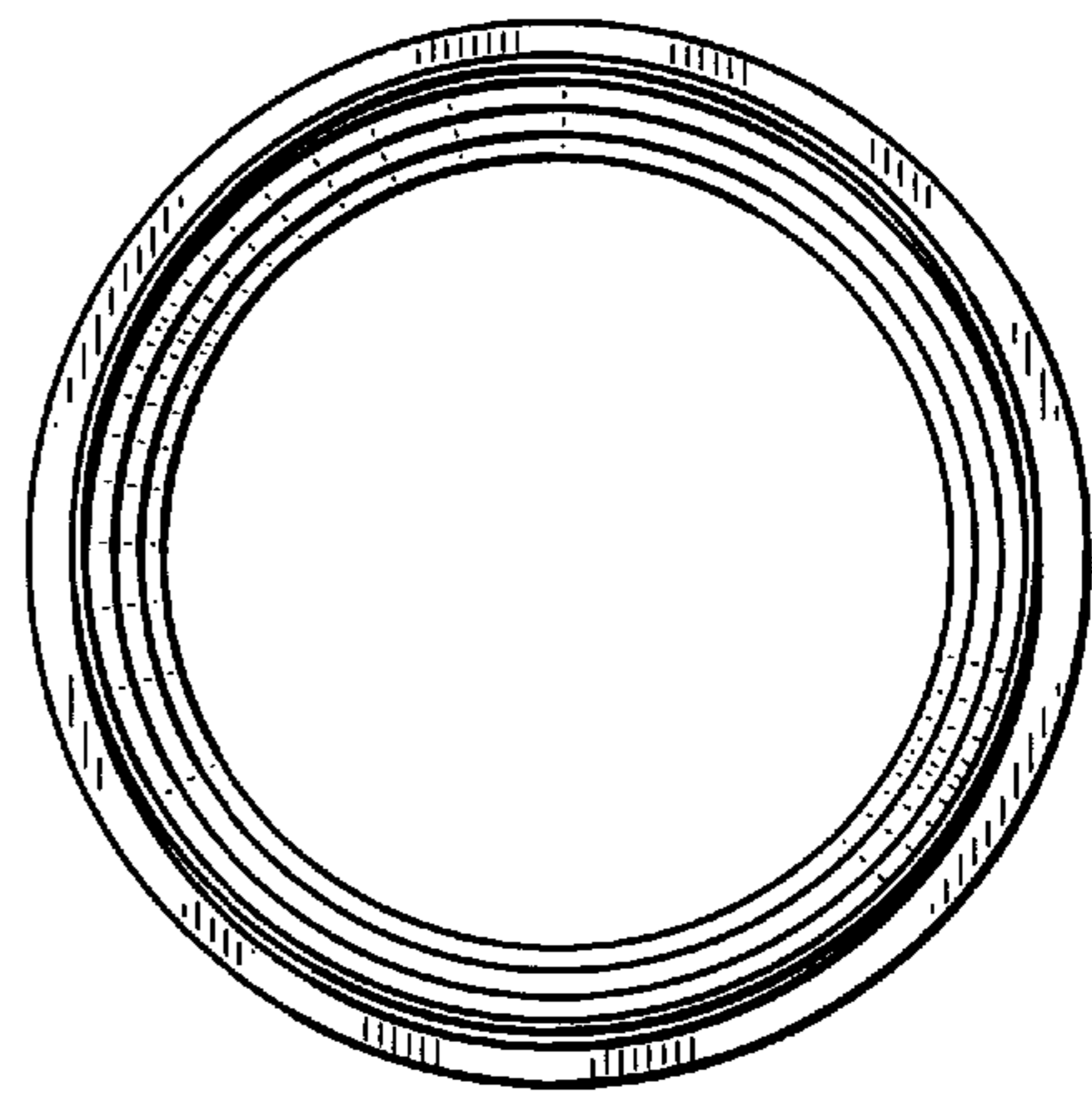


FIG. 16

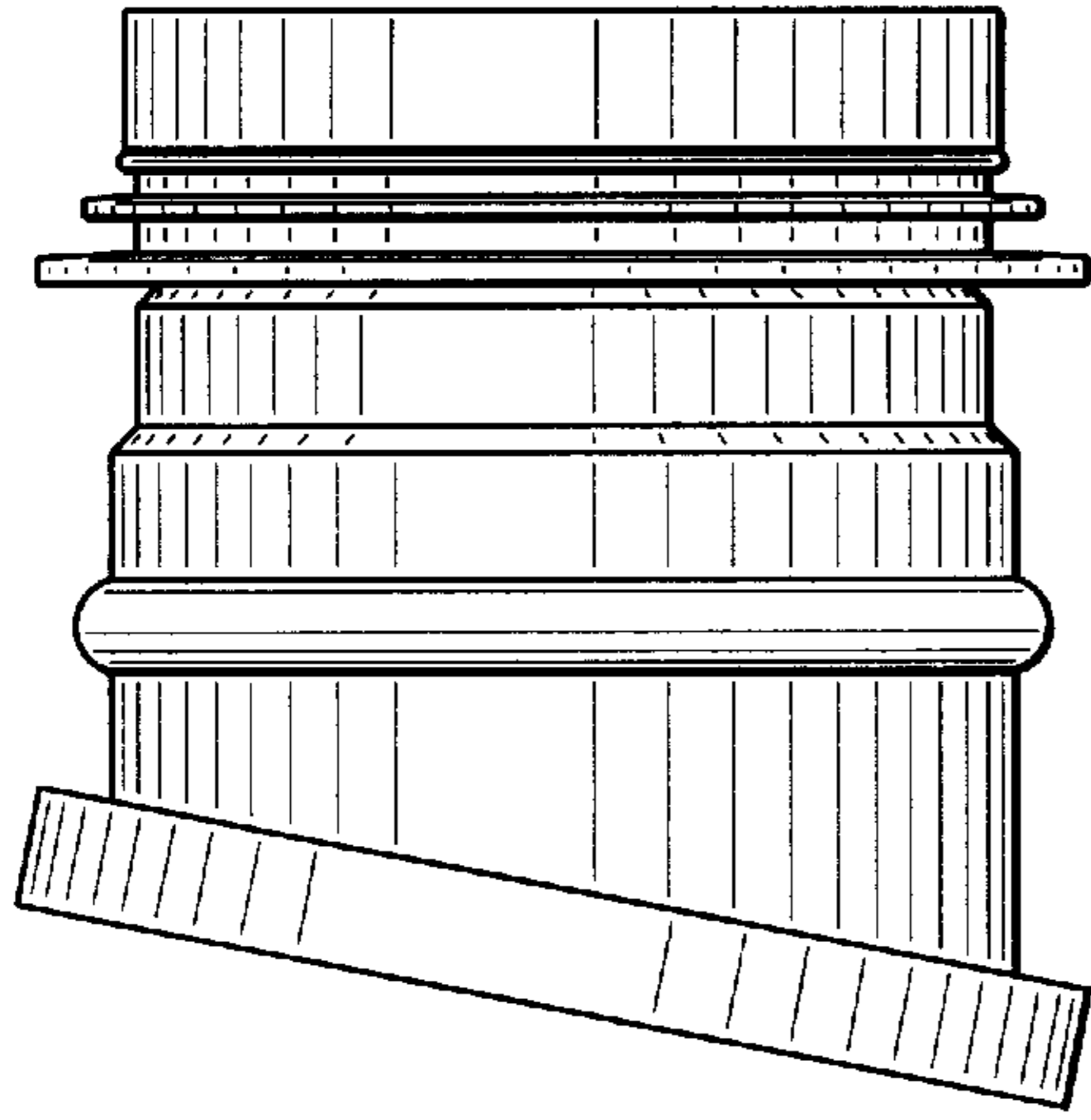


FIG. 17

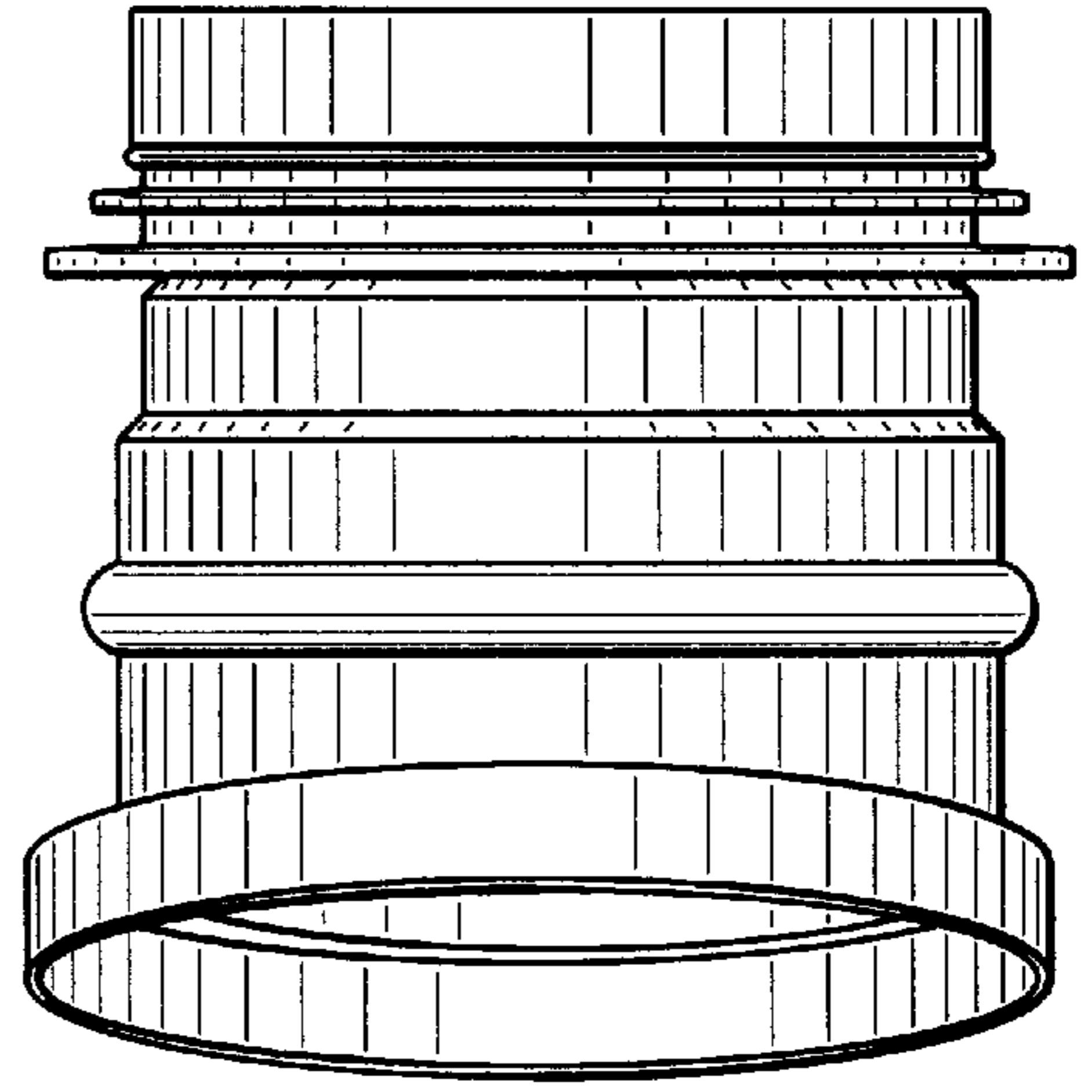


FIG. 18

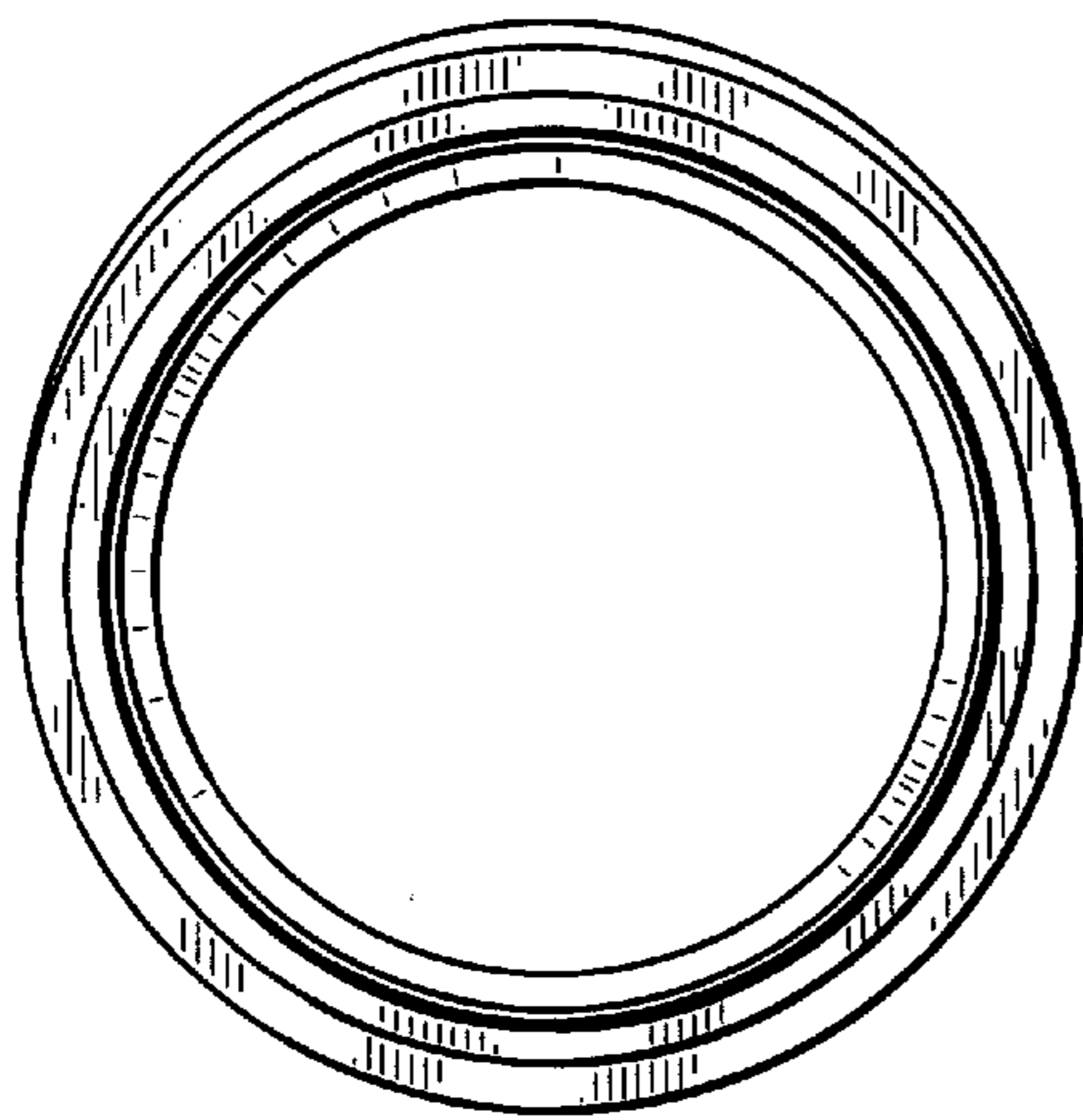


FIG. 19

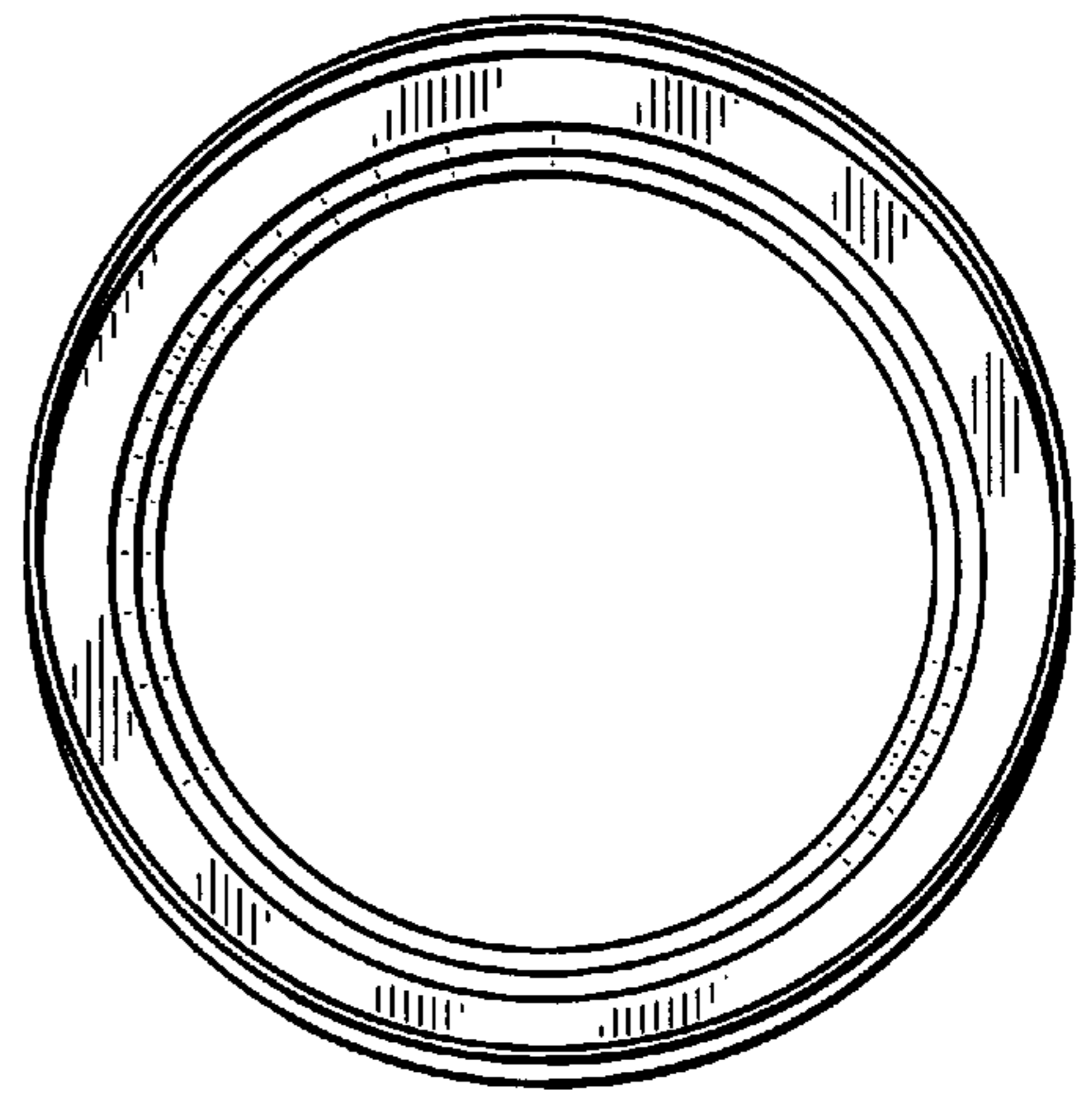


FIG. 20