



US00D427672S

# United States Patent [19]

Lee

[11] Patent Number: **Des. 427,672**

[45] Date of Patent: **\*\* Jul. 4, 2000**

[54] **COMBINED CEILING FAN AND LIGHT FIXTURE**

D. 383,528 9/1997 Collmar ..... D23/377  
5,151,011 9/1992 Rezek ..... 416/5

[76] Inventor: **Ching-Tan Lee**, No. 52, Lane  
480,Section 2, Fenghsi Rd., Taichung  
Hsien, Taiwan

*Primary Examiner*—Lisa Lichtenstein  
*Attorney, Agent, or Firm*—Rosenberg, Klein & Lee

[\*\*] Term: **14 Years**

[57] **CLAIM**

The ornamental design for a combined ceiling fan and light fixture, as shown and described.

[21] Appl. No.: **29/113,570**

**DESCRIPTION**

[22] Filed: **Nov. 9, 1999**

FIG. 1 is a front-left-top perspective view of a combined ceiling fan and light fixture, showing my new design;  
FIG. 2 is a front elevational view thereof;  
FIG. 3 is a rear elevational view thereof;  
FIG. 4 is a left side elevational view thereof;  
FIG. 5 is a right side elevational view thereof,  
FIG. 6 is a top plan view thereof; and,  
FIG. 7 is a bottom plan view thereof.

[51] **LOC (7) Cl.** ..... **23-04**

[52] **U.S. Cl.** ..... **D23/377; D23/411; D26/59**

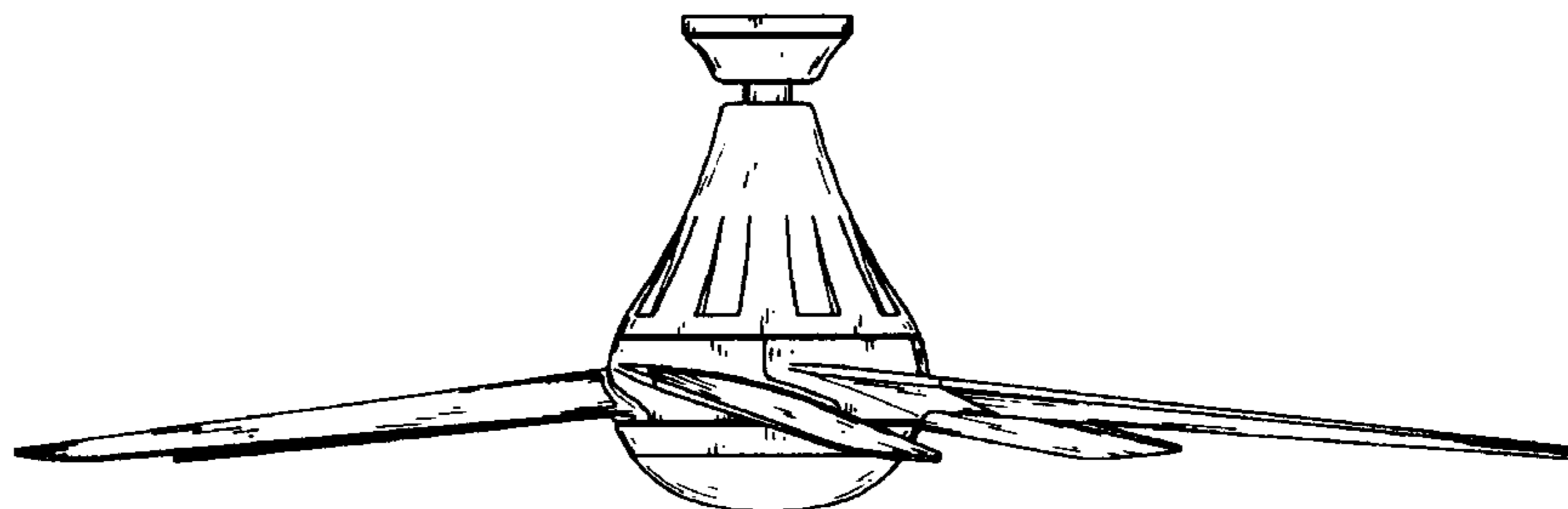
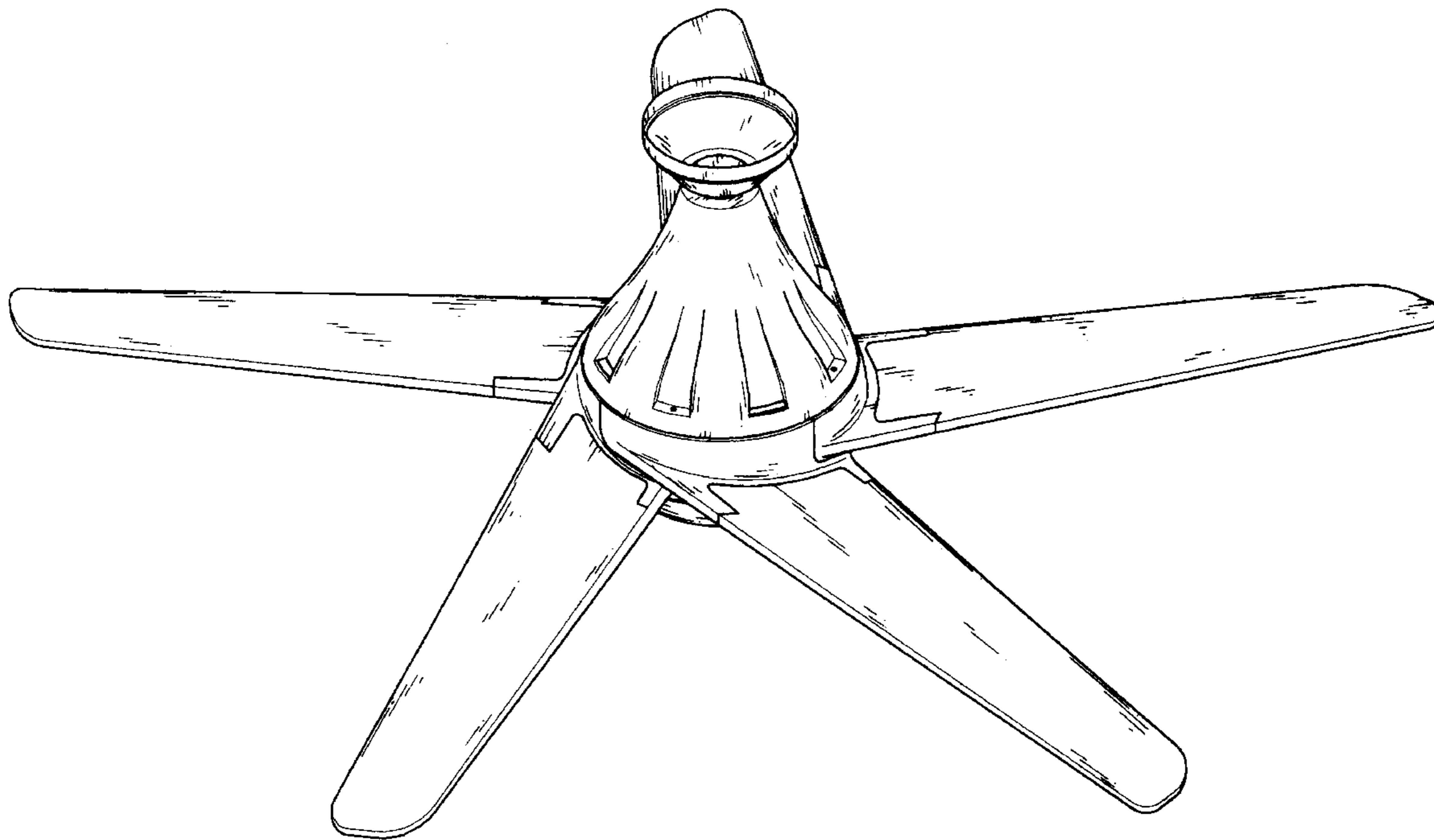
[58] **Field of Search** ..... D23/377, 379,  
D23/385, 411, 413; 416/5; 392/364; 362/96

[56] **References Cited**

**U.S. PATENT DOCUMENTS**

D. 347,887 6/1994 Liu ..... D23/377

**1 Claim, 5 Drawing Sheets**



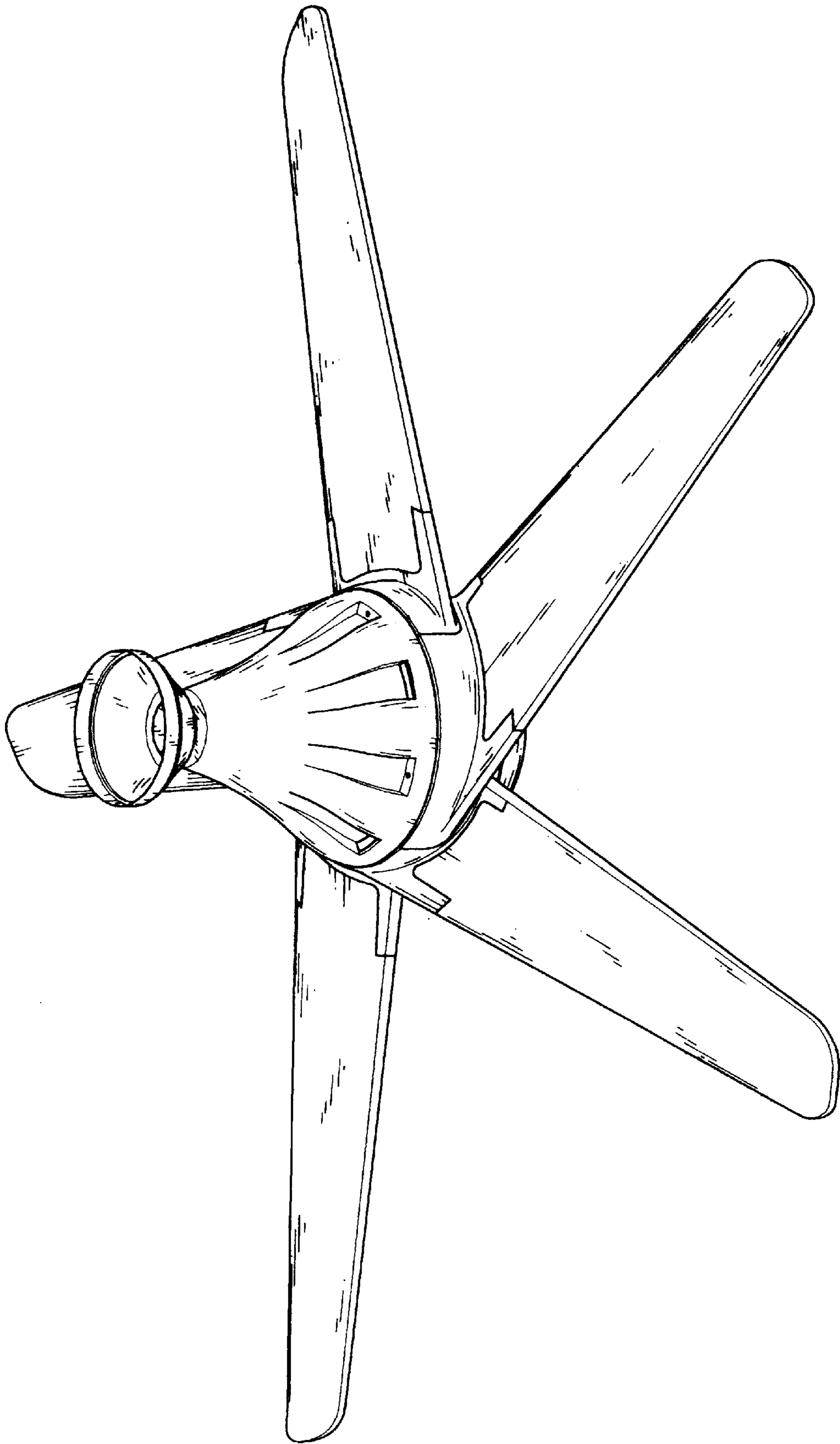


FIG. 1

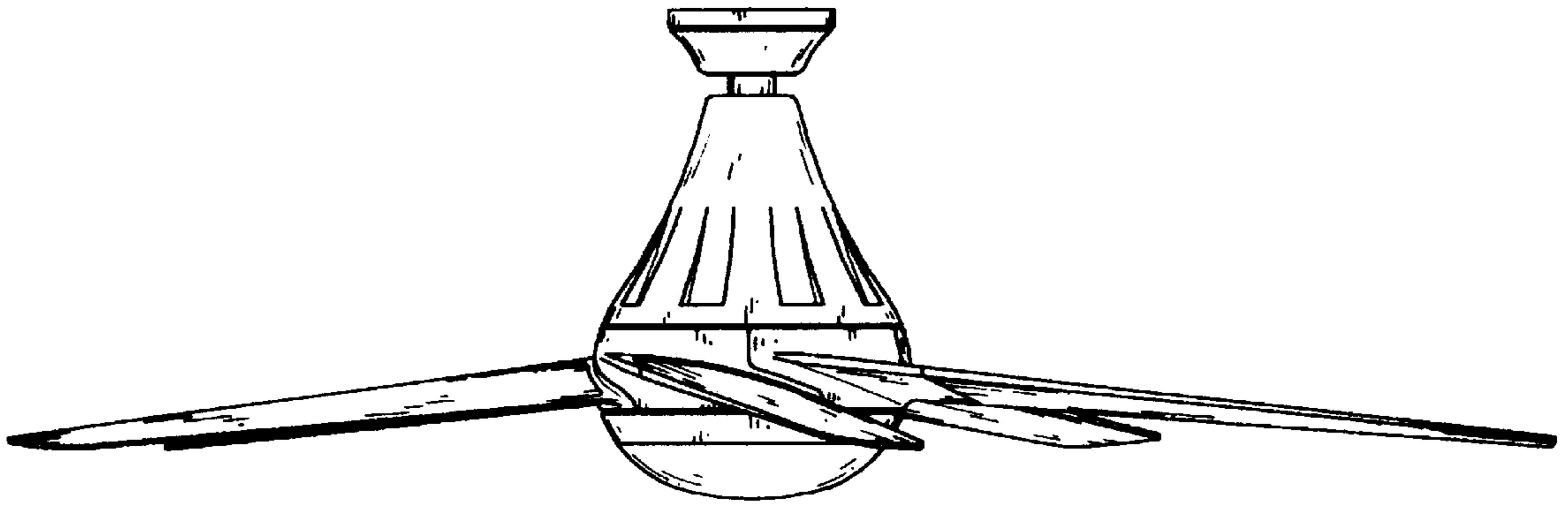


FIG. 2

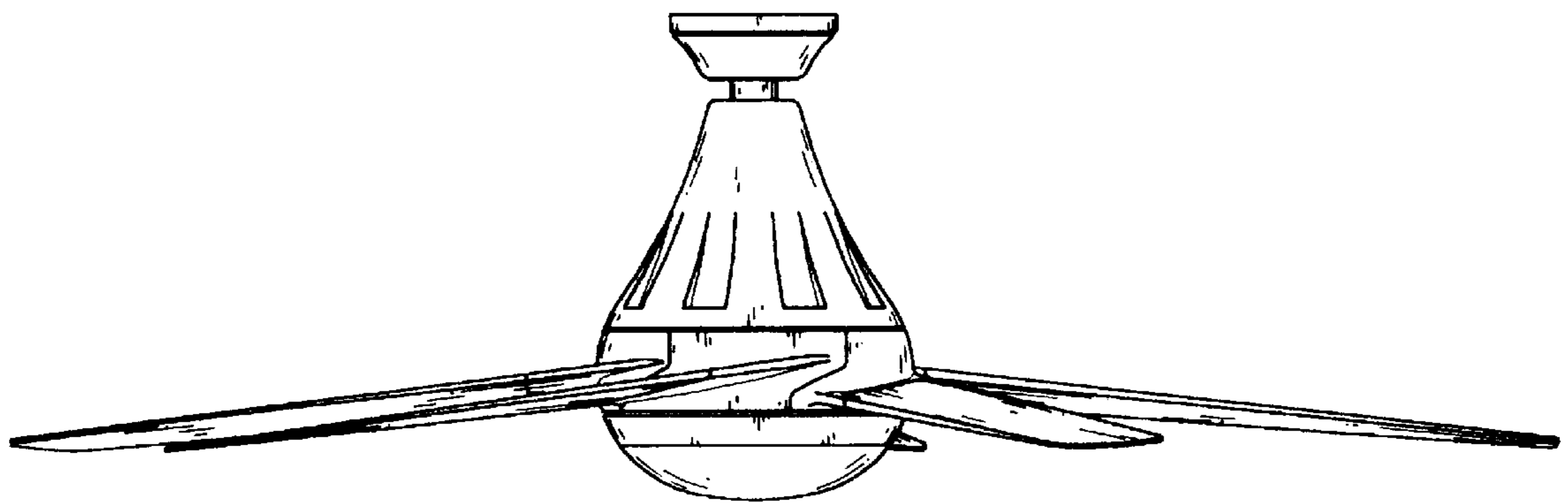


FIG. 3

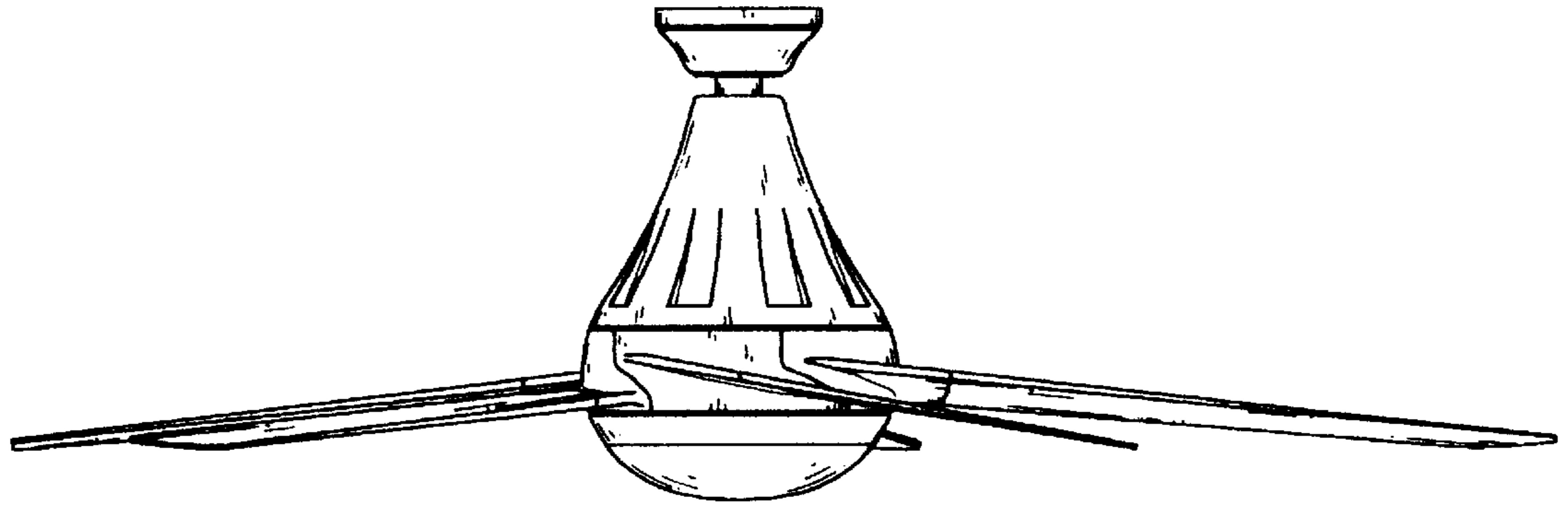


FIG. 4

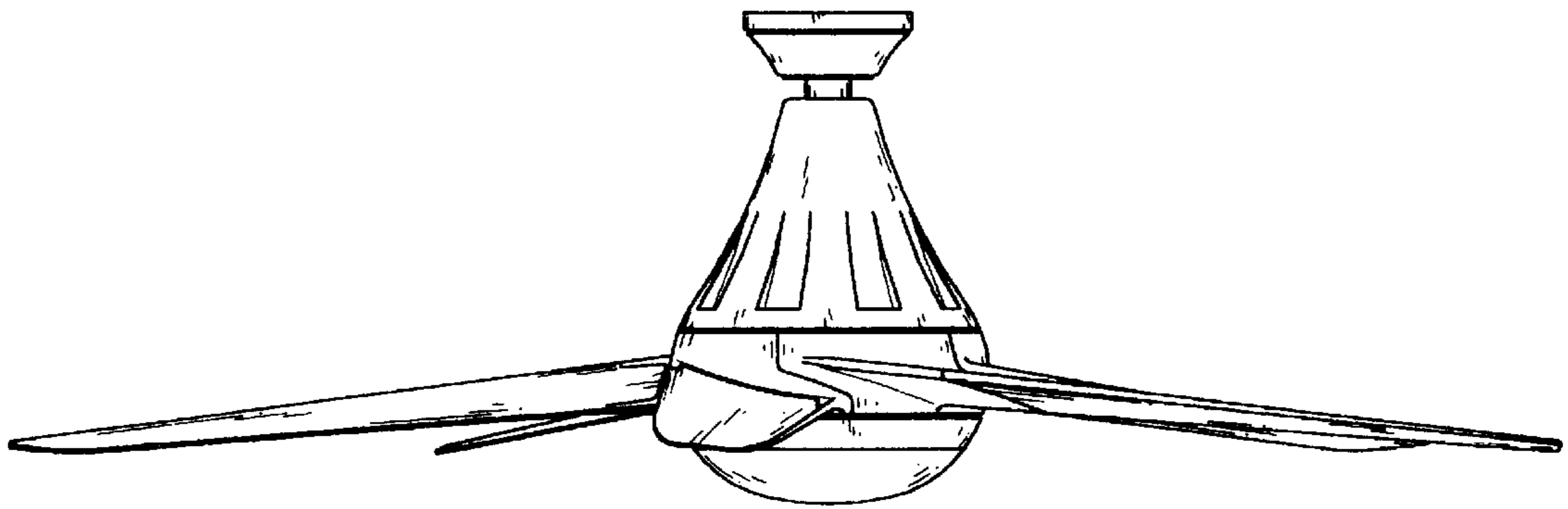


FIG. 5

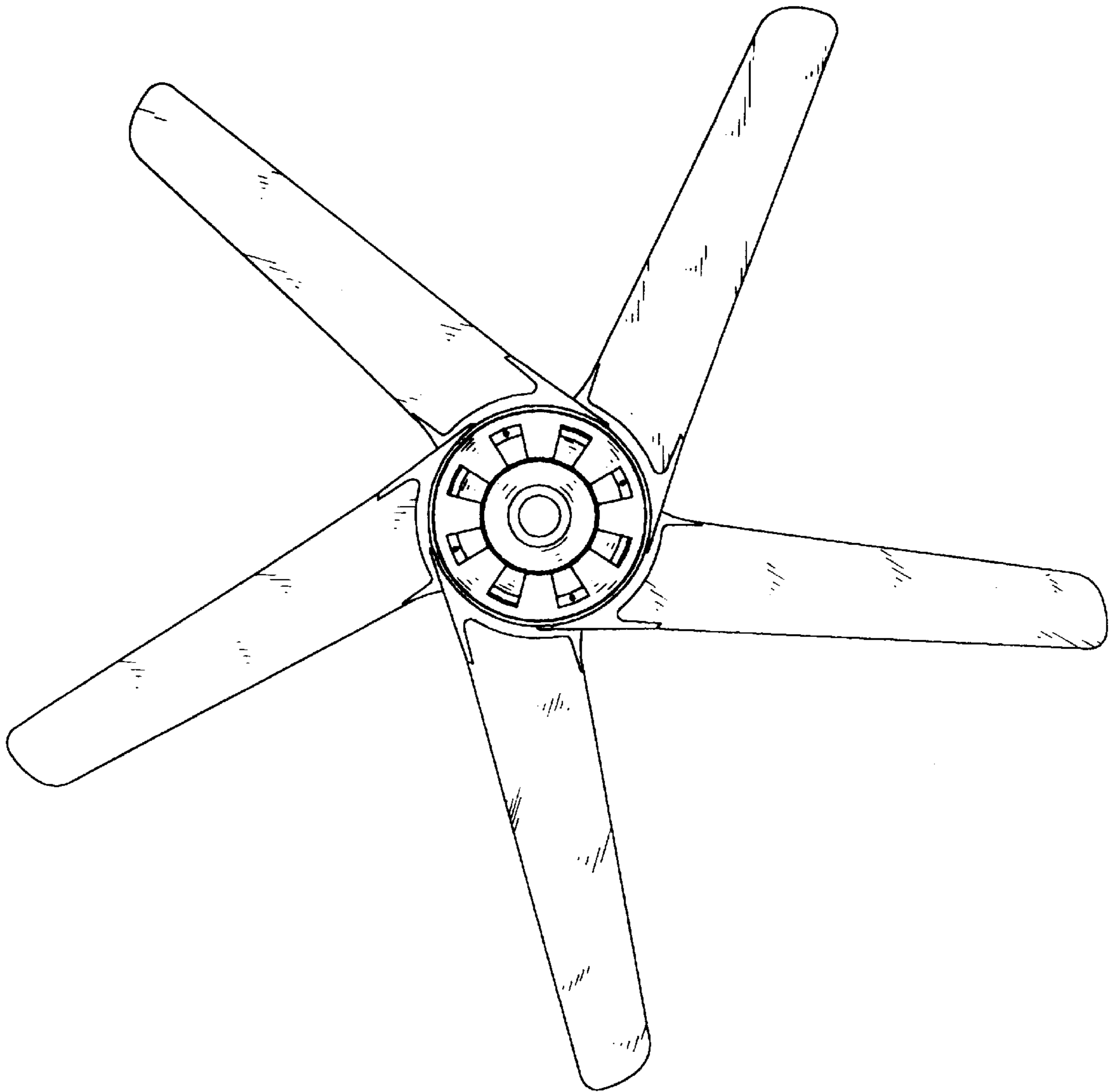


FIG. 6

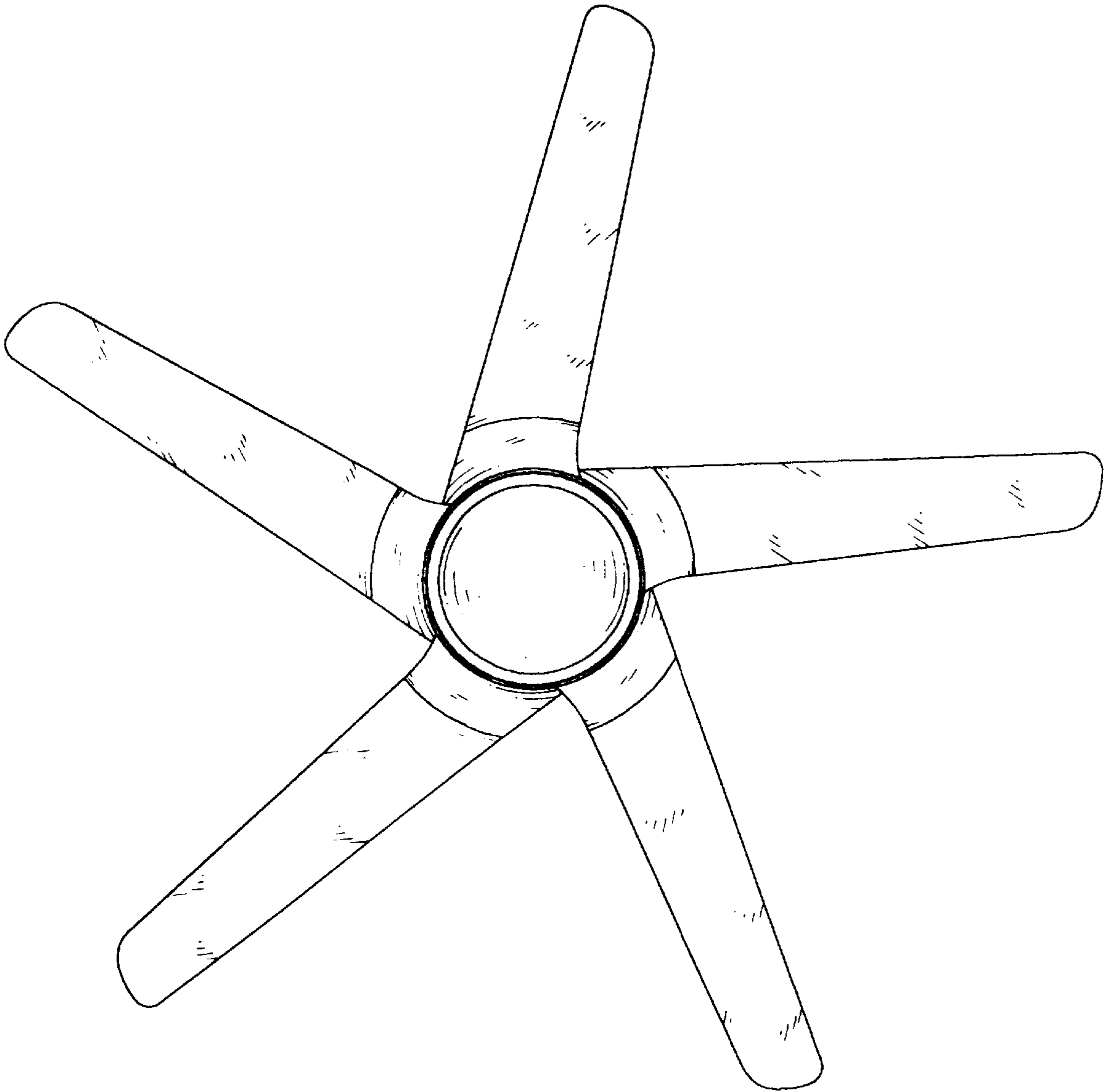


FIG. 7