



US00D427671S

United States Patent [19]
Yin-Choi

[11] **Patent Number: Des. 427,671**
[45] **Date of Patent: ** Jul. 4, 2000**

[54] **AIR FRESHENER**

D. 345,788 4/1994 Green D23/366
D. 346,018 4/1994 Kawakami D23/367
906,955 12/1908 Stark 239/55

[76] Inventor: **Wing Yin-Choi**, 34836 Glen St.,
Westland, Mich. 48186

[**] Term: **14 Years**

Primary Examiner—Lisa Lichtenstein
Attorney, Agent, or Firm—Chup & Alberti, P.C.

[21] Appl. No.: **29/108,452**

[57] **CLAIM**

[22] Filed: **Jul. 27, 1999**

The ornamental design for air freshener, as shown.

[51] **LOC (7) Cl.** **23-04**

DESCRIPTION

[52] **U.S. Cl.** **D23/366**

FIG. 1 is a top plan view of my design for an air freshener;
FIG. 2 is a front view thereof;
FIG. 3 is a back view thereof;
FIG. 4 is a left side view thereof;
FIG. 5 is a right side view thereof; and,
FIG. 6 is a bottom view thereof.

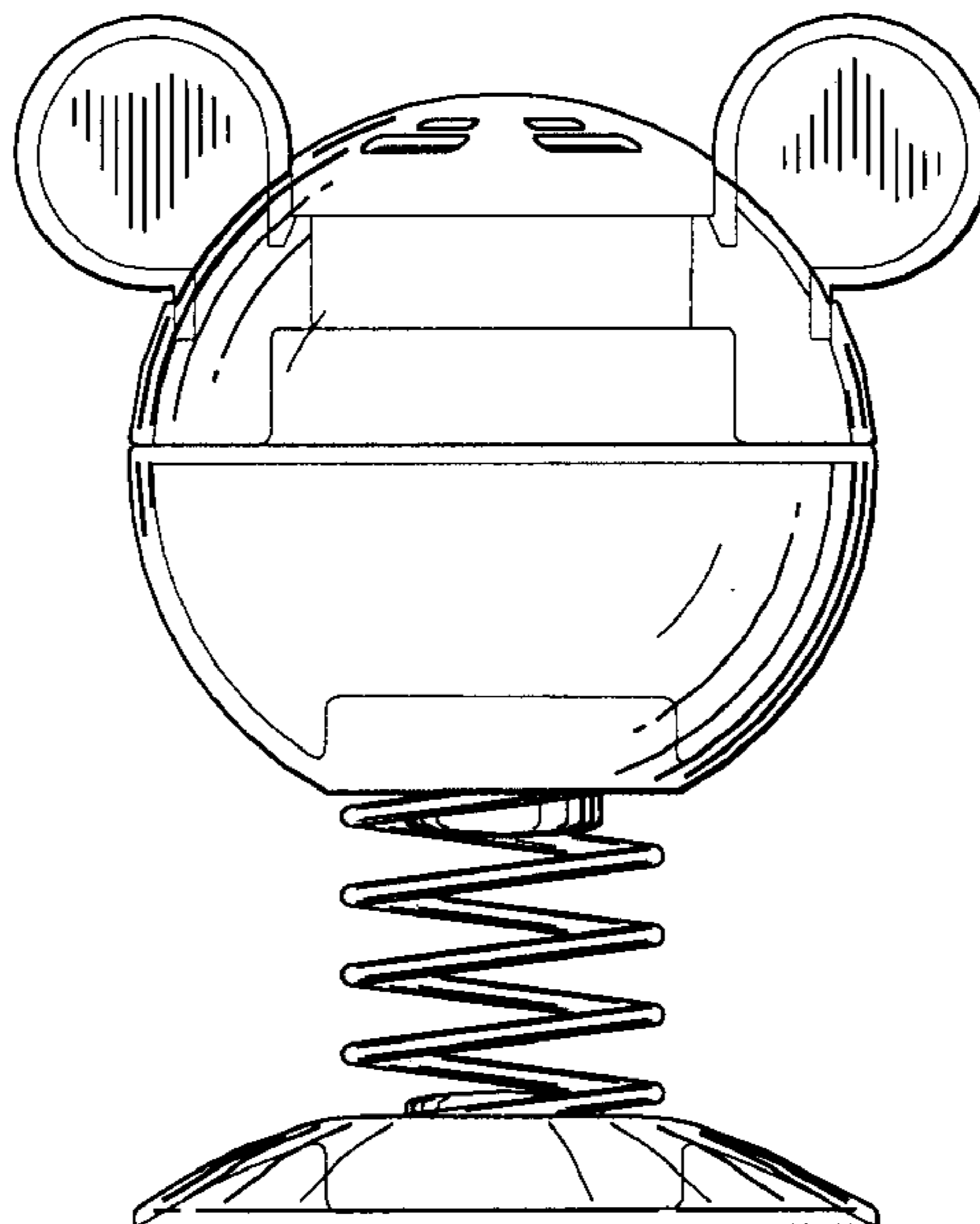
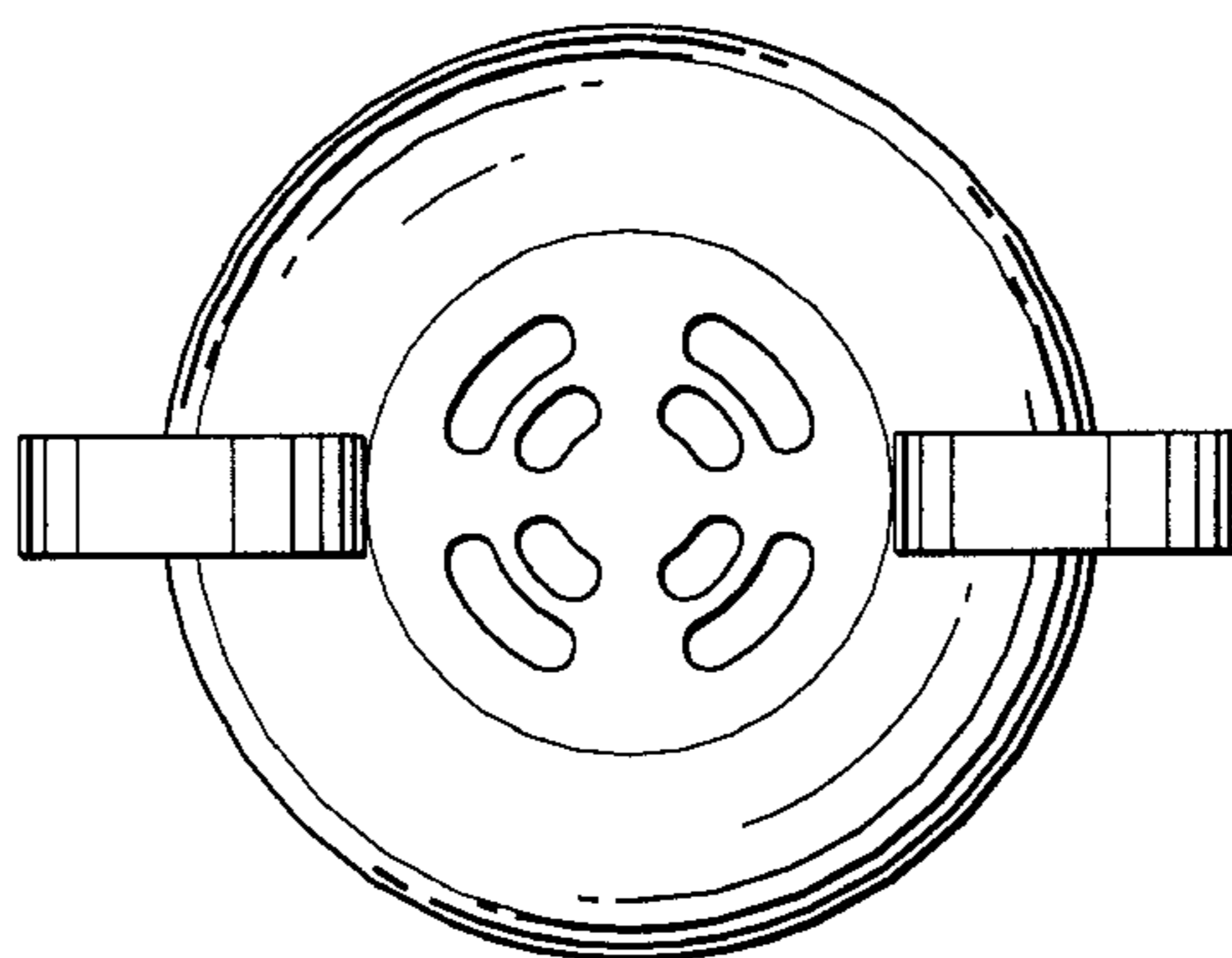
[58] **Field of Search** D23/366-369;
261/DIG. 65, 30, DIG. 17; 239/60, 55,
56, 57

[56] **References Cited**

U.S. PATENT DOCUMENTS

D. 334,800 4/1993 Portis D23/366

1 Claim, 3 Drawing Sheets



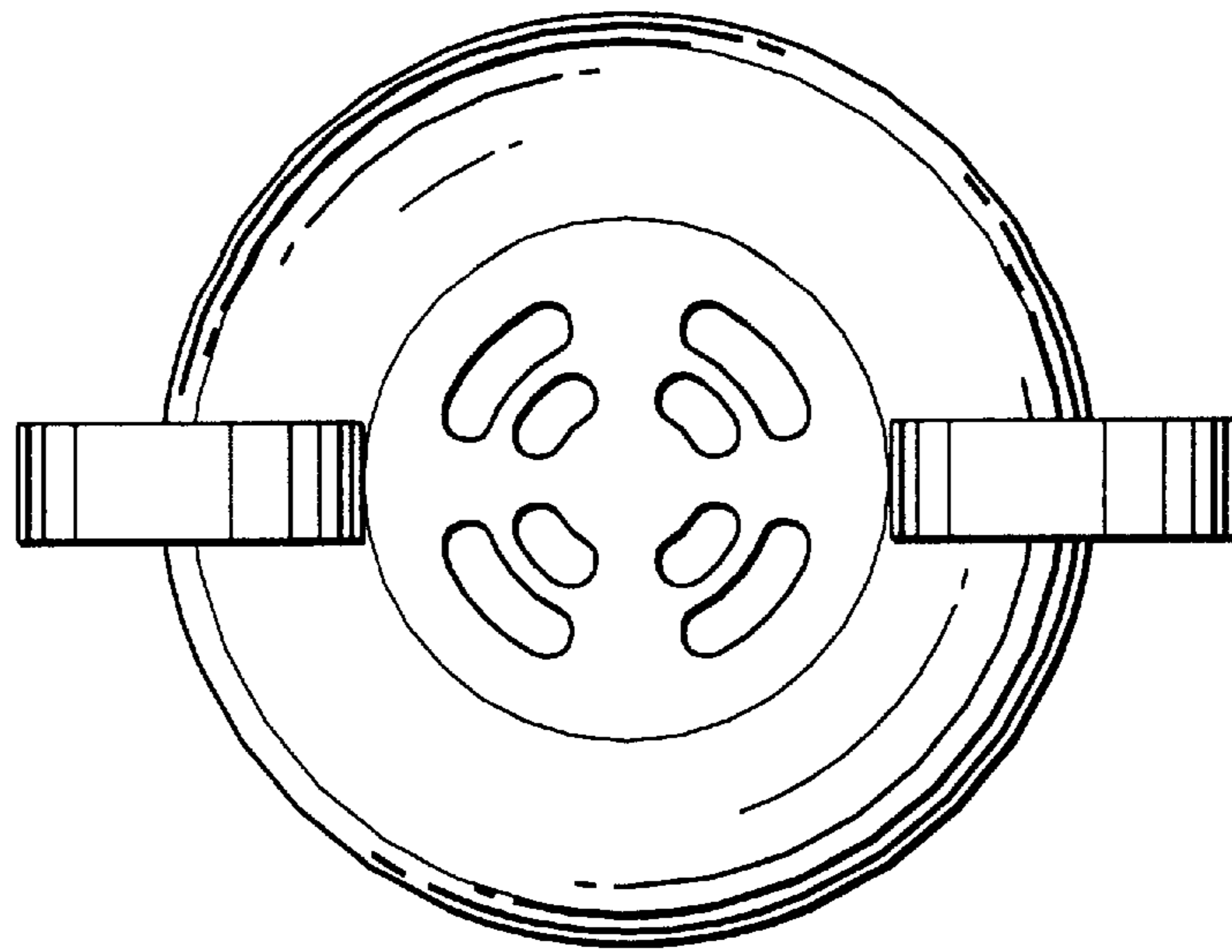


Fig. 1

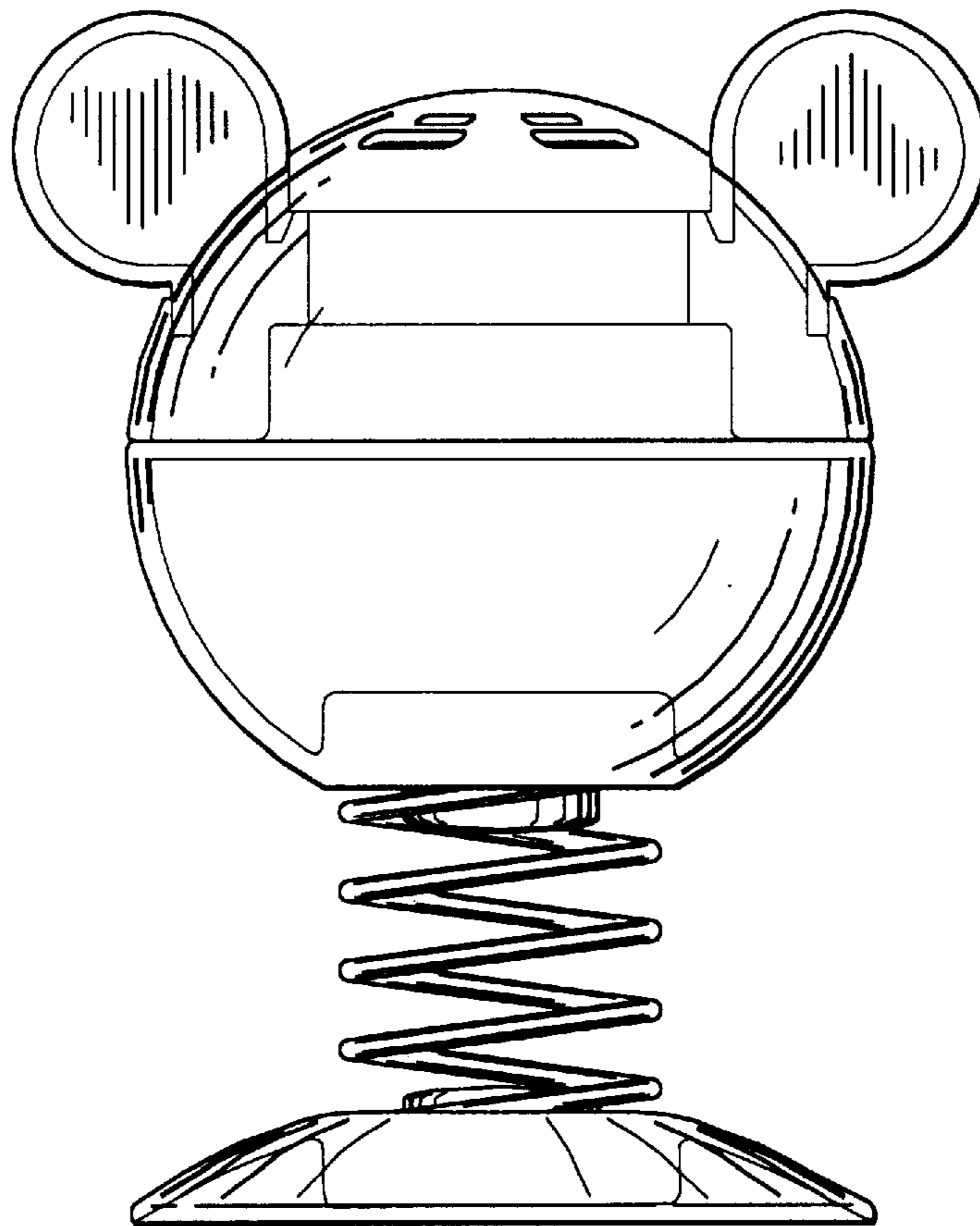


Fig. 2

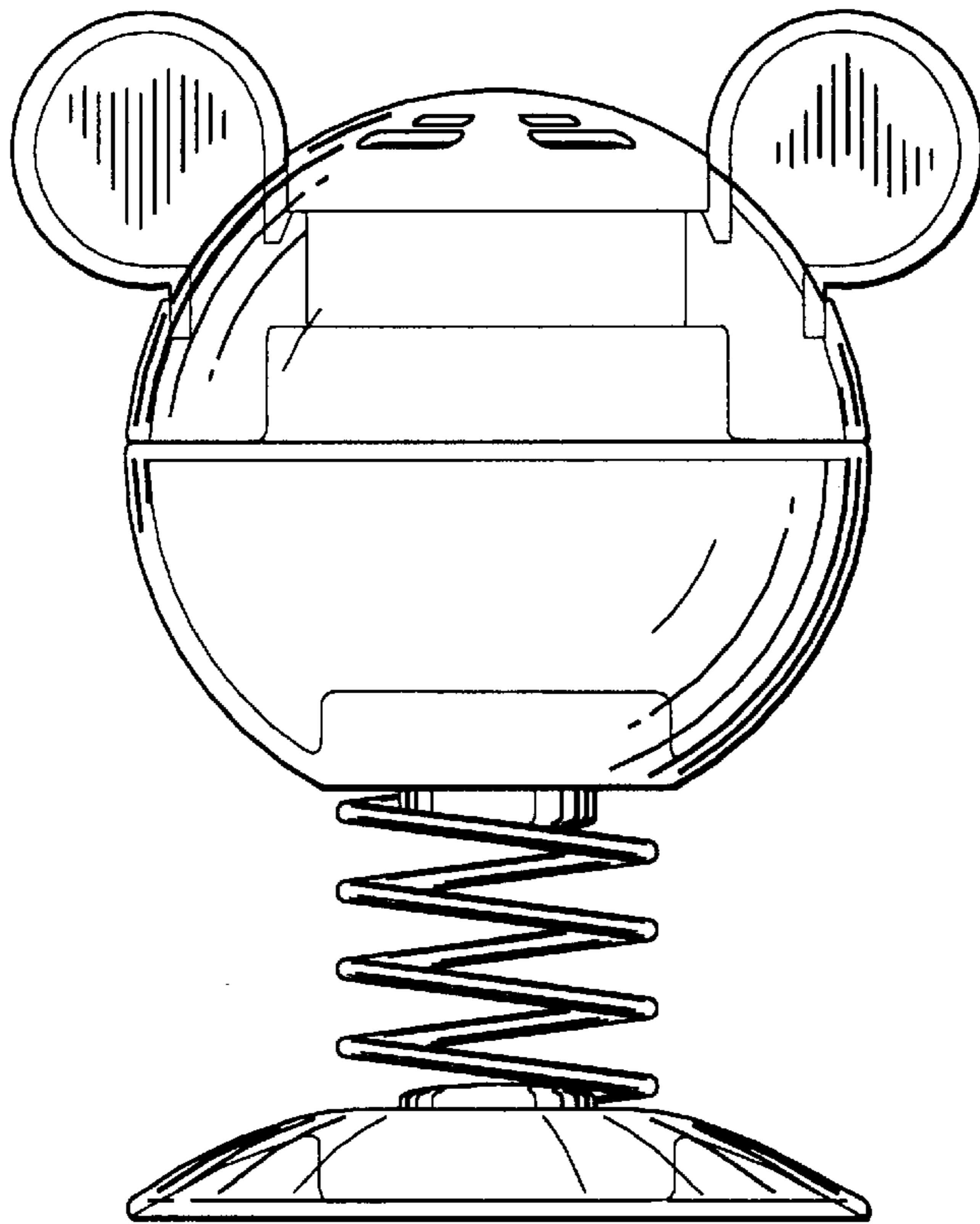


Fig. 3

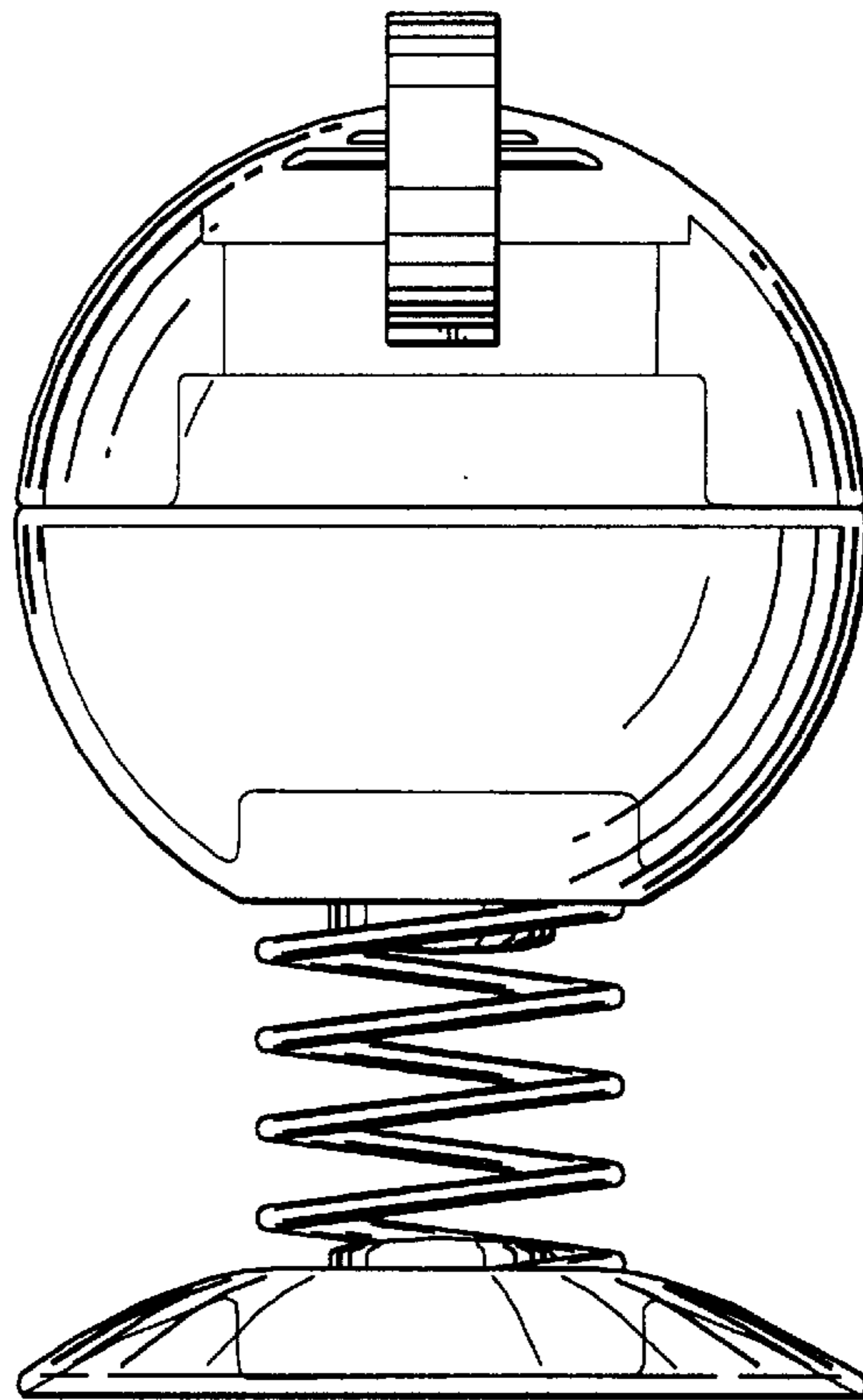


Fig. 4

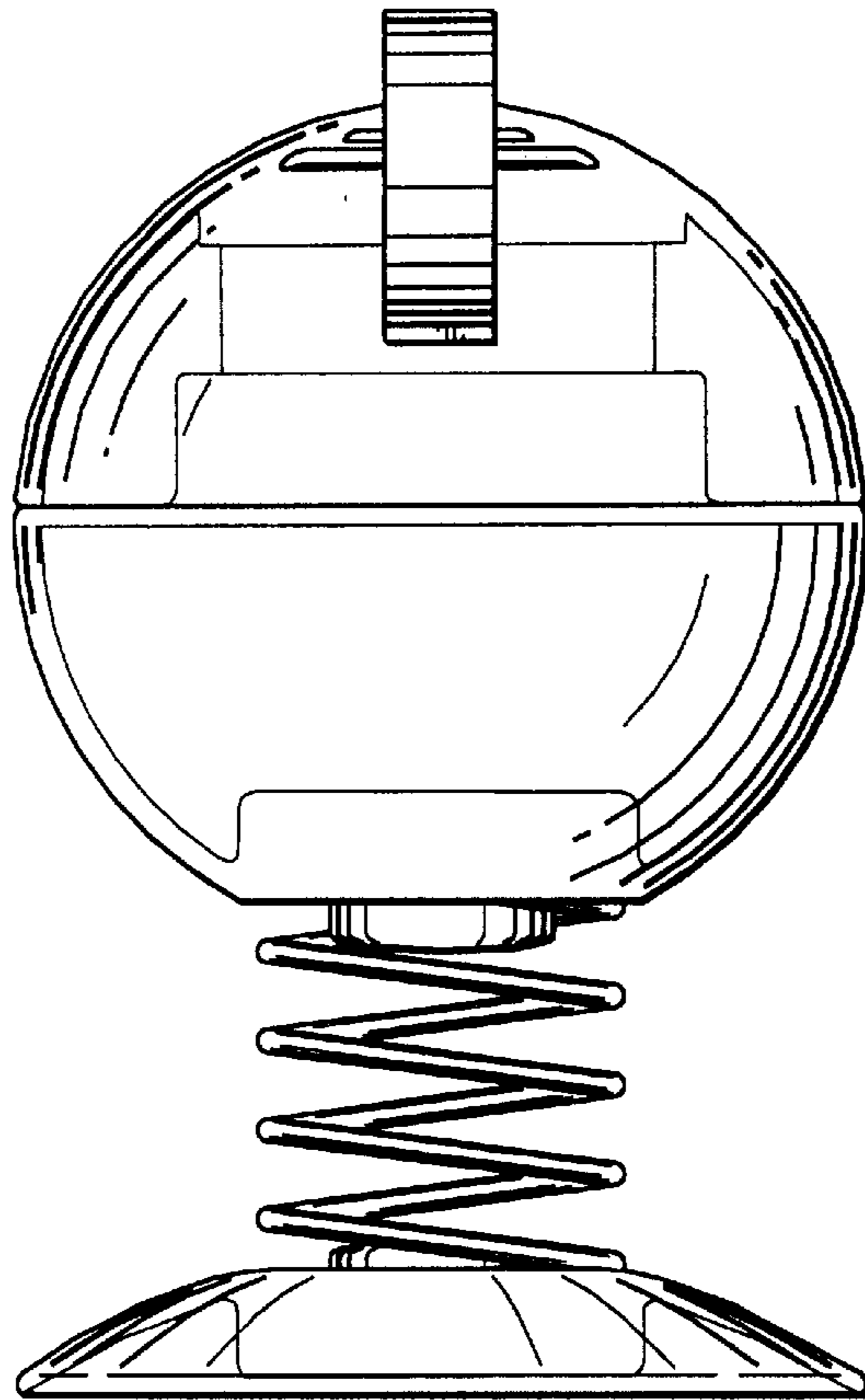


Fig. 5

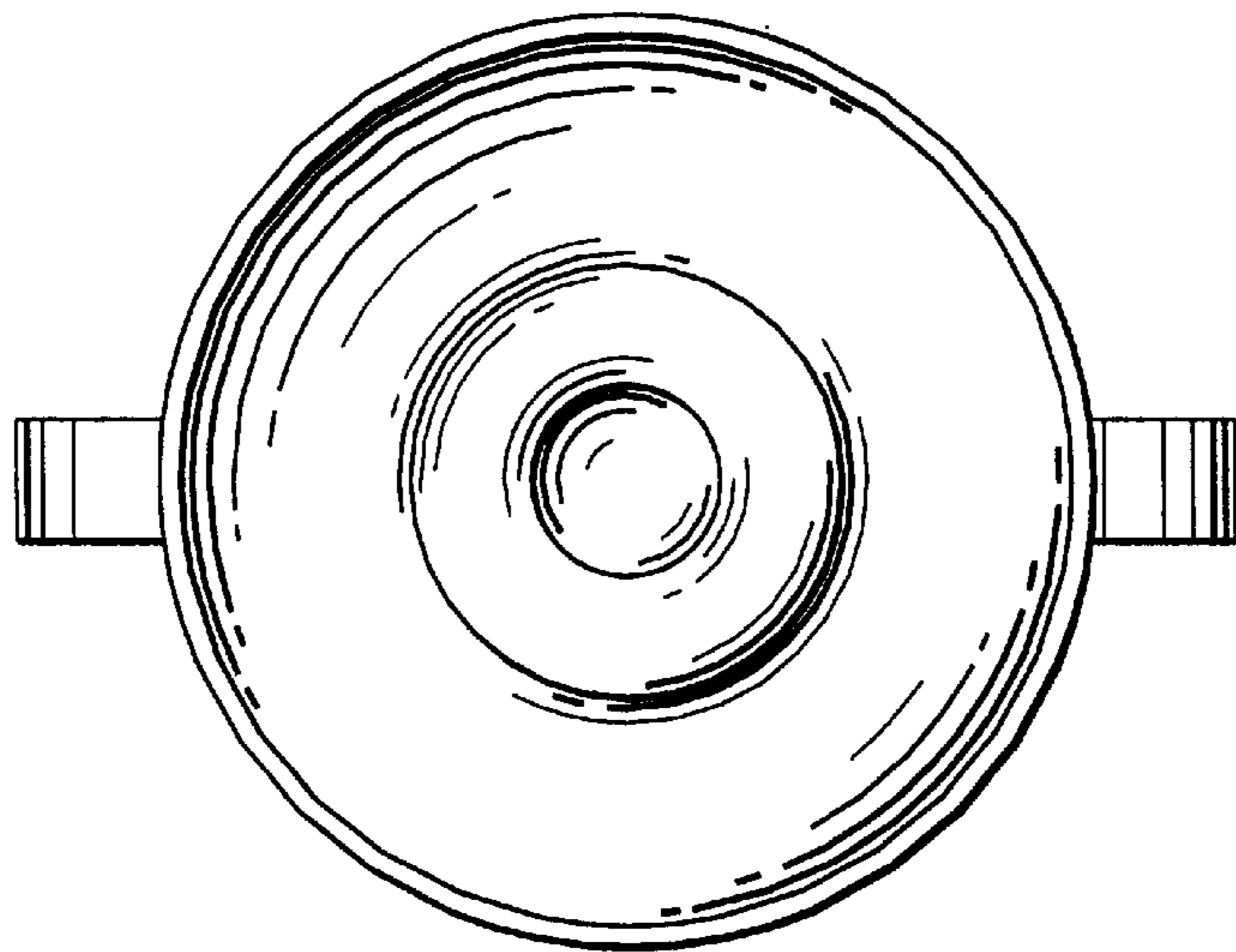


Fig. 6