



US00D427669S

United States Patent [19]
Ruuska

[11] **Patent Number: Des. 427,669**
[45] **Date of Patent: ** Jul. 4, 2000**

[54] **TUBE**
[75] **Inventor: Mauno Ruuska, Vammala, Finland**
[73] **Assignee: Patria Vammass Oy, Vammala, Finland**
[**] **Term: 14 Years**

D. 244,942	7/1977	Bobrovniczky	D25/120
2,298,249	10/1942	Brown, Jr.	219/81
2,895,508	7/1959	Drake	138/38
3,002,729	10/1961	Welsh	165/183
3,228,053	1/1966	Horton et al.	15/82
3,439,586	4/1969	Holtan et al.	92/169.1
3,726,109	4/1973	Mortensen	15/82
4,153,260	5/1979	Joyner	277/500
5,048,572	9/1991	Levine	138/121

[21] **Appl. No.: 29/085,397**
[22] **Filed: Mar. 23, 1998**

Primary Examiner—Alan P. Douglas
Assistant Examiner—Reid Hecker
Attorney, Agent, or Firm—Larson & Taylor

[30] **Foreign Application Priority Data**

Sep. 23, 1997 [FI] Finland 71197

[51] **LOC (7) Cl.** **23-01**
[52] **U.S. Cl.** **D23/266; D25/125**
[58] **Field of Search** D23/266; D21/487;
47/86; D7/300.2; 138/118, 118.1, 119, 121,
122, 173, 177, 178; D25/124, 125, 122,
120, 126, 61; 165/183; D4/180, 102; D32/4,
19, 25, 39; 15/78, 79.2, 82, 23, 34, 50.3,
53.2, 230.14

[57] **CLAIM**
The ornamental design of a tube, as shown and described.

DESCRIPTION

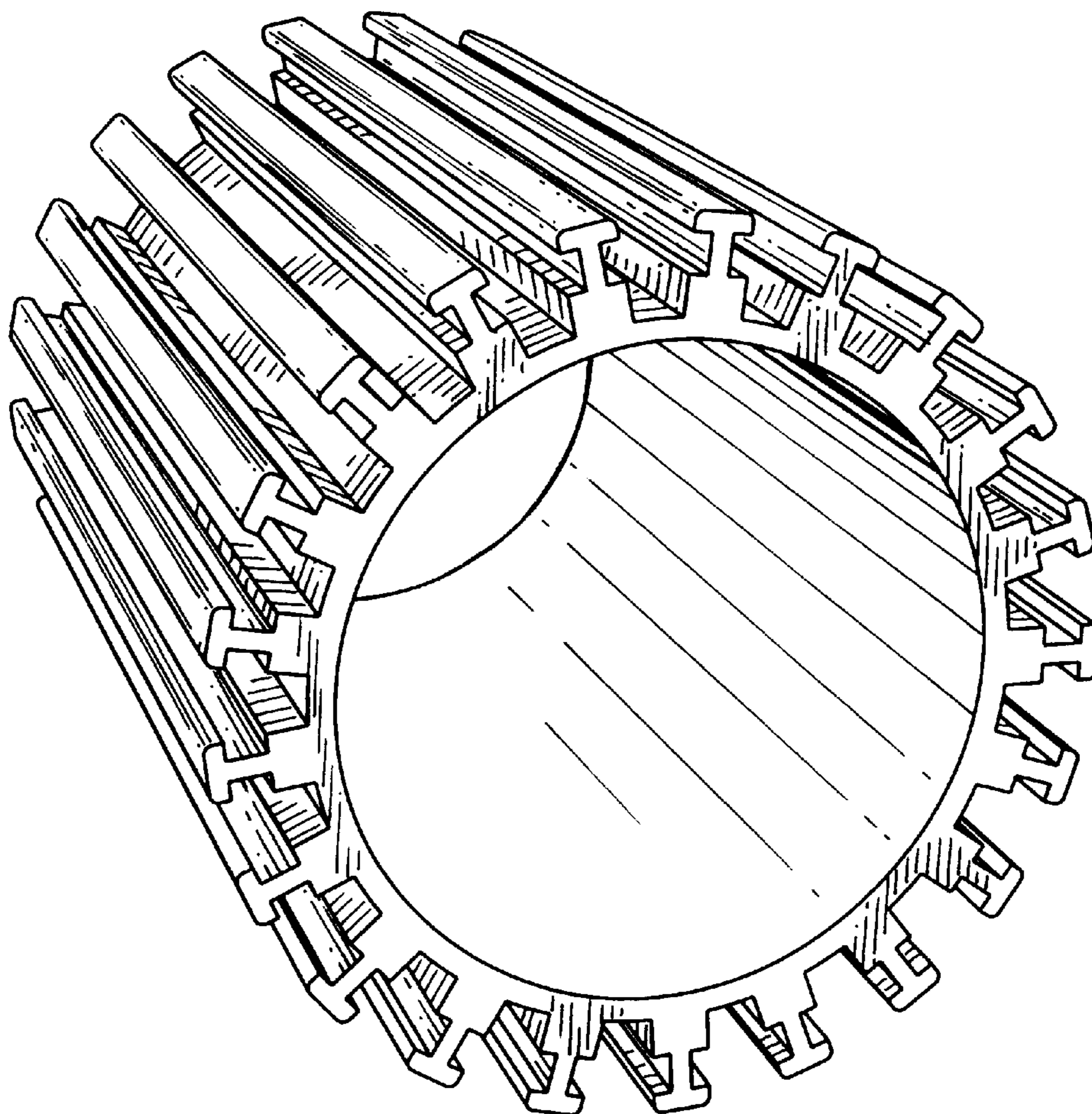
FIG. 1 is a perspective view of a tube according to the present invention;
FIG. 2 is an end elevational view of the tube depicted in FIG. 1, the other end elevational view being the same; and,
FIG. 3 is a side elevational view of the tube depicted in FIG. 1.

[56] **References Cited**

U.S. PATENT DOCUMENTS

D. 25,120 2/1896 Livor D32/39

1 Claim, 2 Drawing Sheets



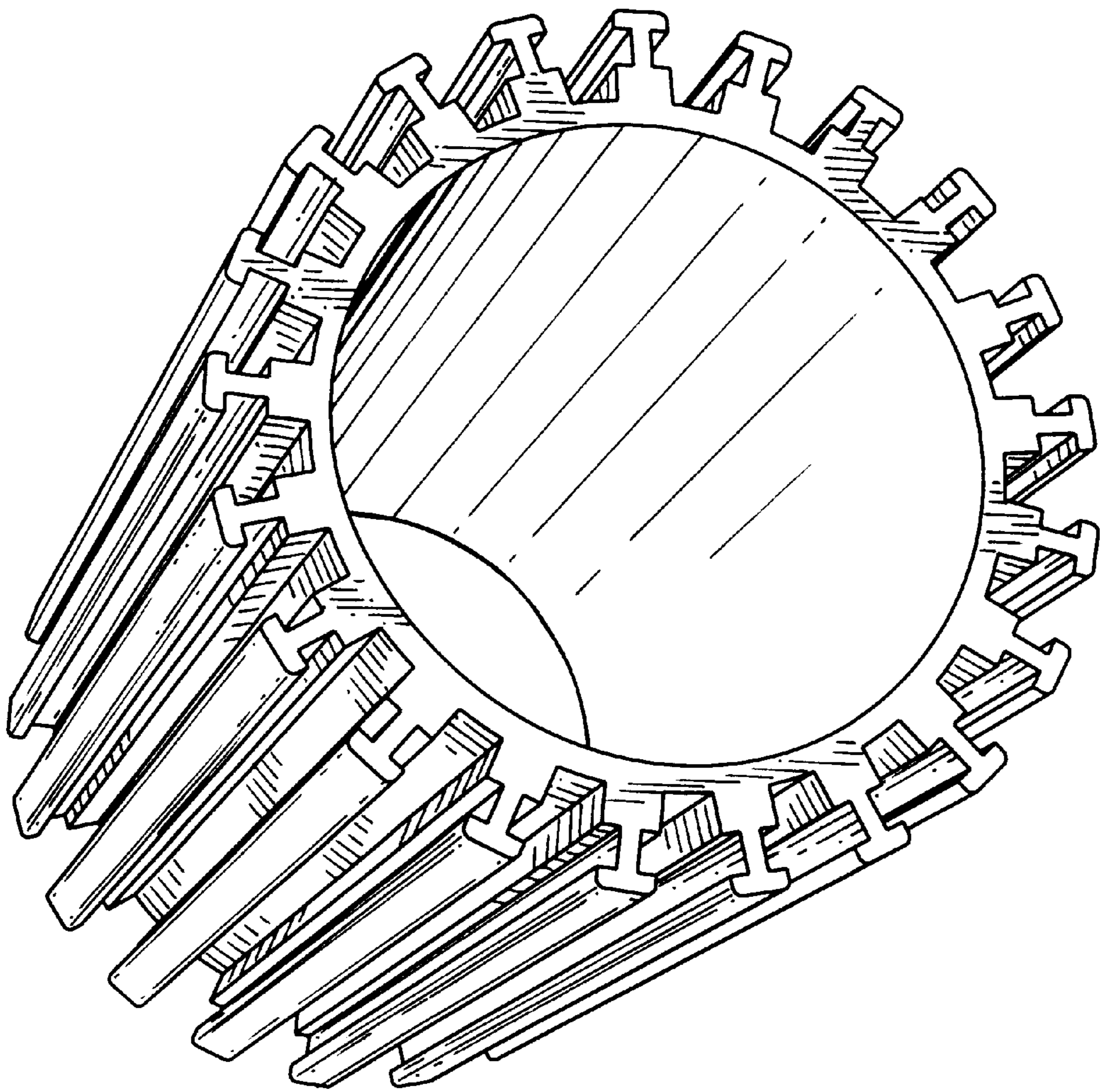


FIG. 1

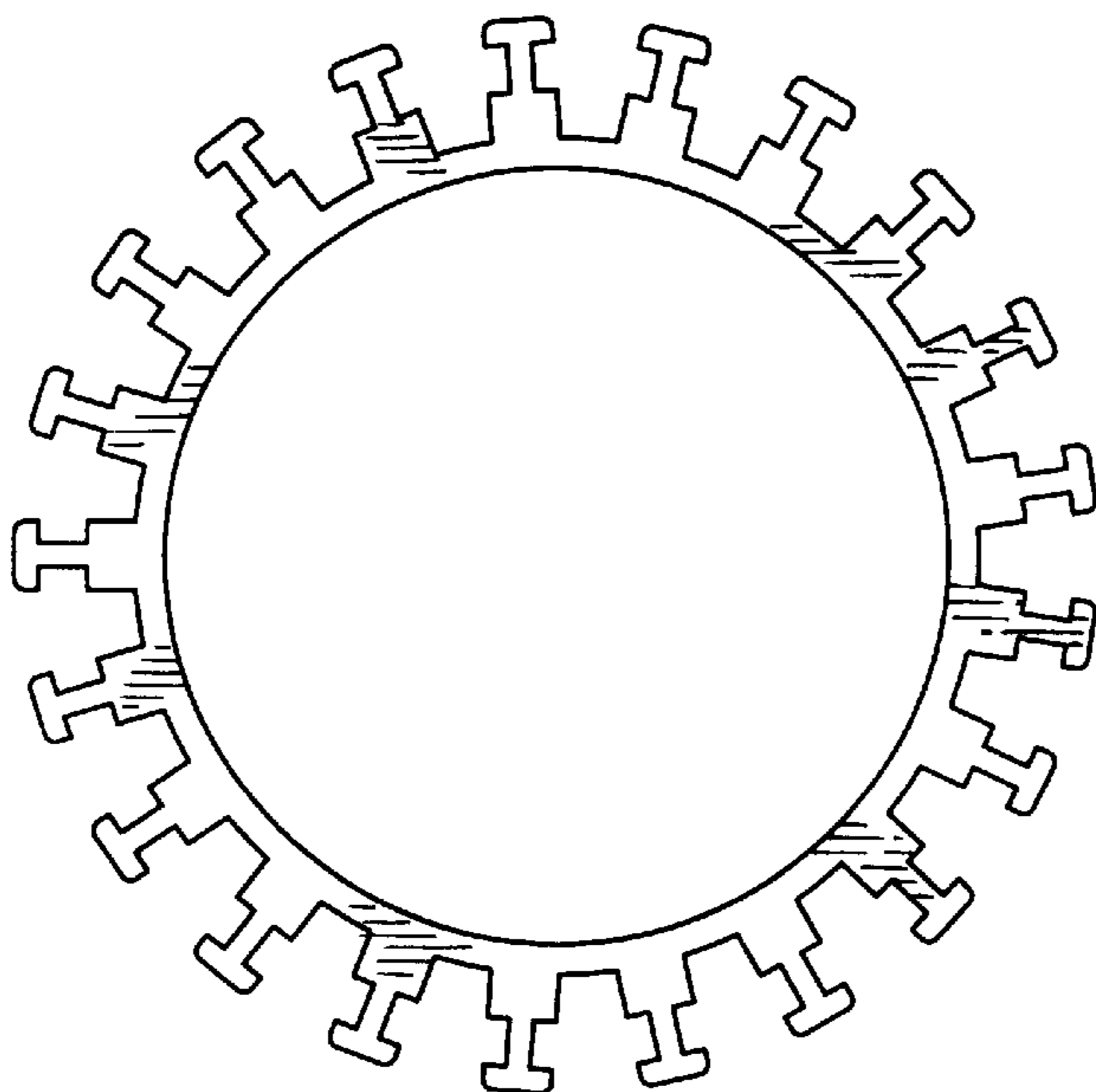


FIG. 2

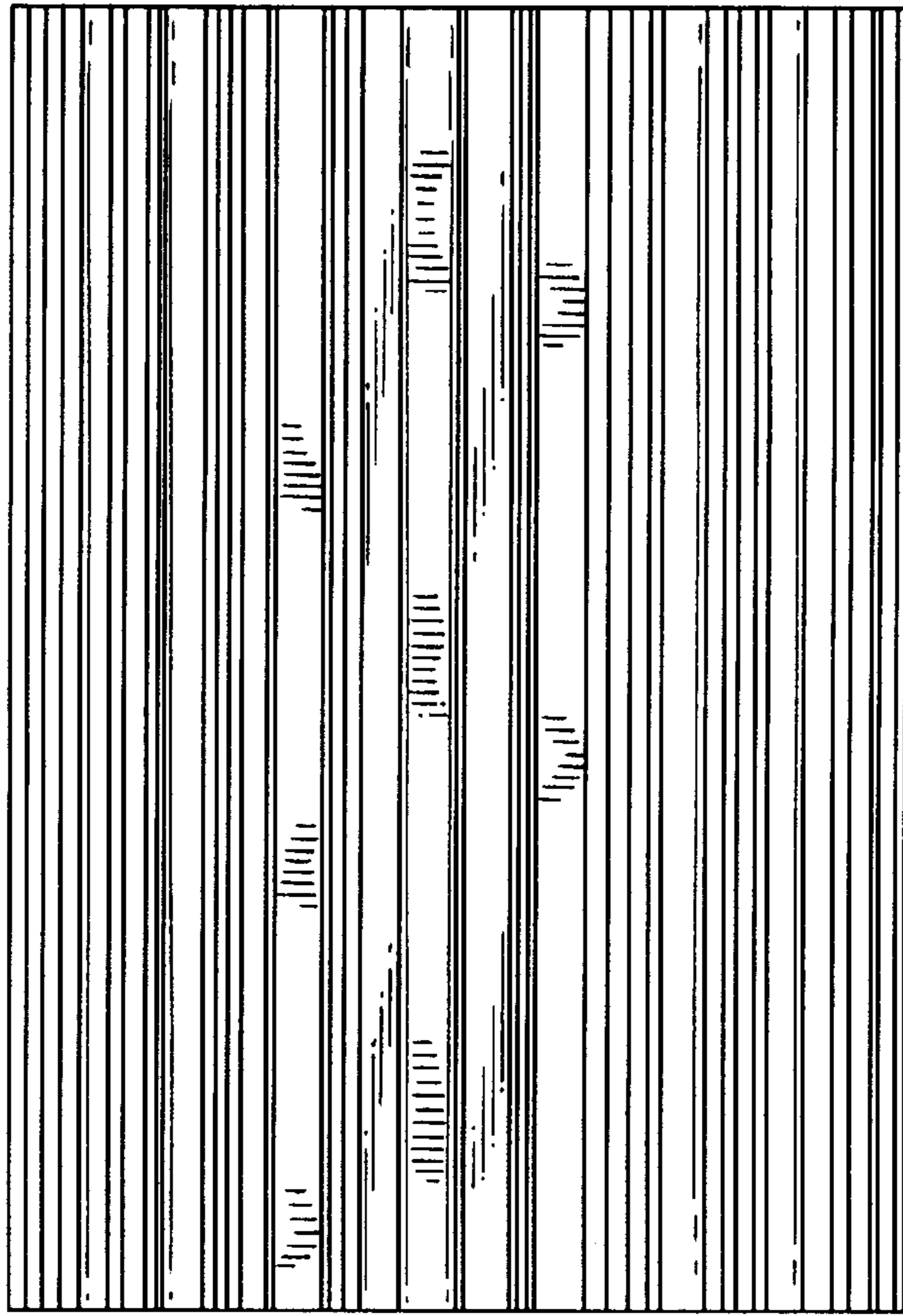


FIG. 3