



US00D427668S

**United States Patent** [19]  
**Stout, Jr.**

[11] **Patent Number: Des. 427,668**  
[45] **Date of Patent: \*\* \*Jul. 4, 2000**

[54] **SLEEVE COUPLING**

[75] Inventor: **William K. Stout, Jr.**, Mason, Ohio

[73] Assignee: **Eastern Sheet Metal, Inc.**, Cincinnati, Ohio

[\*] Notice: This patent is subject to a terminal disclaimer.

[\*\*] Term: **14 Years**

[21] Appl. No.: **29/105,272**

[22] Filed: **May 20, 1999**

[51] **LOC (7) Cl.** ..... **23-01**

[52] **U.S. Cl.** ..... **D23/262**

[58] **Field of Search** ..... D23/259, 262, D23/263, 269, 386, 387, 393; D8/382; 285/95, 109, 294.1, 331, 336, 417, 424, 910, 918; 277/602, 608, 625, 626, 607

[56] **References Cited**

**U.S. PATENT DOCUMENTS**

- D. 25,709 6/1896 Pratt .
- D. 234,847 4/1975 Hoffman .
- D. 273,702 5/1984 Widerby et al. .... D23/393

(List continued on next page.)

**FOREIGN PATENT DOCUMENTS**

- 13987 1/1974 Sweden .
- 17788 4/1976 Sweden .
- 19819 4/1977 Sweden .
- 25473 4/1980 Sweden .
- 25610 4/1980 Sweden .
- 26059 7/1980 Sweden .
- 26995 12/1980 Sweden .

**OTHER PUBLICATIONS**

*Ducts and Fittings* Product Brochure, Lindab Ltd., Northampton, Great Britain (undated).

*Primary Examiner*—Alan P. Douglas

*Assistant Examiner*—Reid Hecker  
*Attorney, Agent, or Firm*—Dinsmore & Shohl LLP

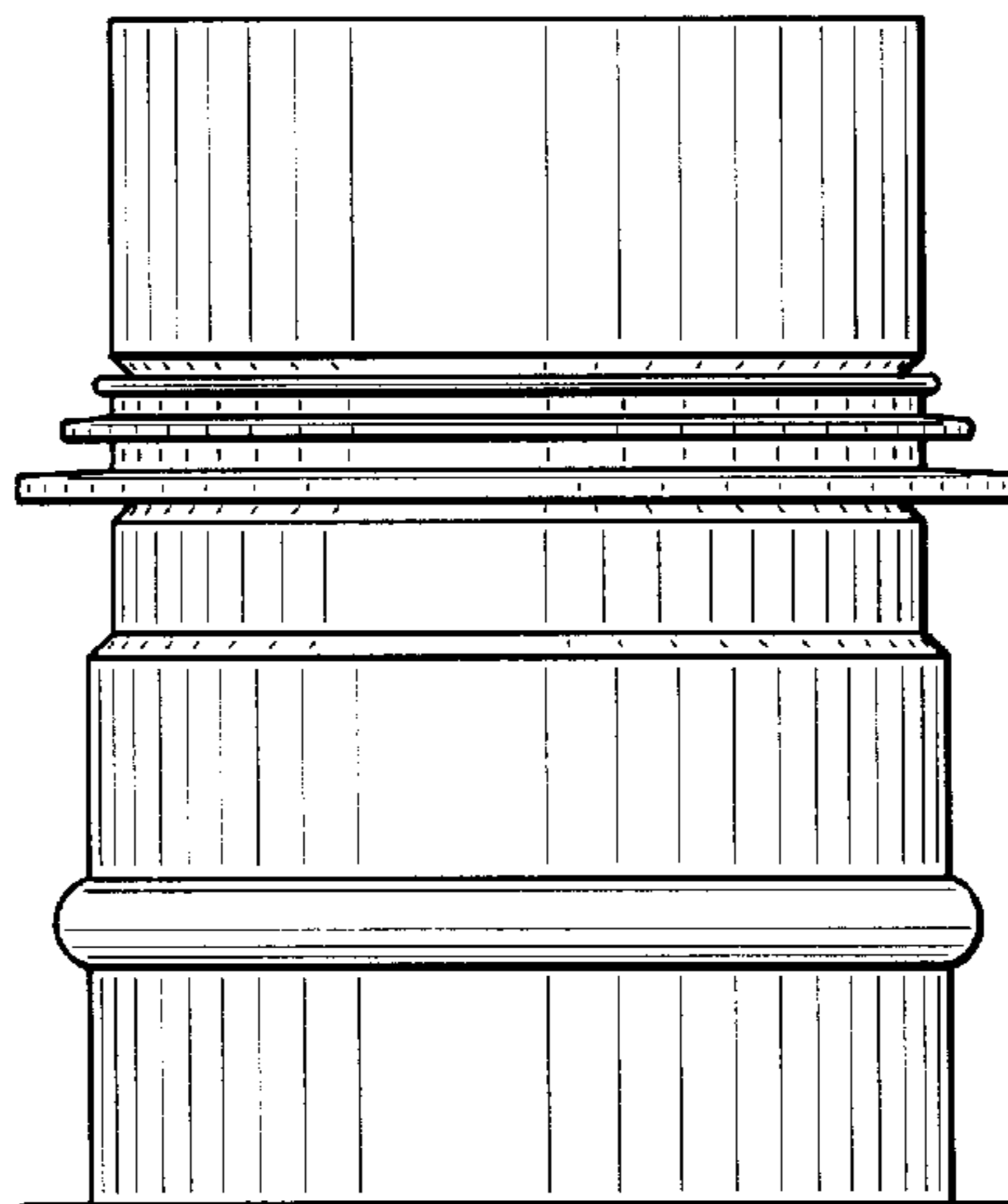
[57] **CLAIM**

The ornamental design for a sleeve coupling, as shown and described.

**DESCRIPTION**

FIG. 1 is a front plan view of a first embodiment of the sleeve coupling;  
 FIG. 2 is a front perspective view of the sleeve coupling of FIG. 1;  
 FIG. 3 is a top view of the sleeve coupling of FIG. 1;  
 FIG. 4 is a bottom view of the sleeve coupling of FIG. 1;  
 FIG. 5 is a front plan view of a second embodiment of the sleeve coupling;  
 FIG. 6 is a front perspective view of the sleeve coupling of FIG. 5;  
 FIG. 7 is a top view of the sleeve coupling of FIG. 5;  
 FIG. 8 is a bottom view of the sleeve coupling of FIG. 5;  
 FIG. 9 is a front plan view of a third embodiment of the sleeve coupling;  
 FIG. 10 is a front perspective view of the sleeve coupling of FIG. 9;  
 FIG. 11 is a top view of the sleeve coupling of FIG. 9;  
 FIG. 12 is a bottom view of the sleeve coupling of FIG. 9;  
 FIG. 13 is a front plan view of a fourth embodiment of the sleeve coupling;  
 FIG. 14 is a front perspective view of the sleeve coupling of FIG. 13;  
 FIG. 15 is a top view of the sleeve coupling of FIG. 13;  
 FIG. 16 is a bottom view of the sleeve coupling of FIG. 13;  
 FIG. 17 is a front plan view of a fifth embodiment of the sleeve coupling;  
 FIG. 18 is a front perspective view of the sleeve coupling of FIG. 17;  
 FIG. 19 is a top view of the sleeve coupling of FIG. 17; and,  
 FIG. 20 is a bottom view of the sleeve coupling of FIG. 17.  
 The broken lines shown in FIGS. 1 and 2 are for illustrative purposes only and form no part of the claimed design.

**1 Claim, 10 Drawing Sheets**



U.S. PATENT DOCUMENTS

D. 360,018	7/1995	Sondén et al. .	D. 386,246	11/1997	Sondén et al. .	
D. 360,019	7/1995	Sondén et al. .	D. 402,354	12/1998	Strong et al. ....	D23/259
D. 360,020	7/1995	Sondén et al. .	D. 407,802	4/1999	Hatfield et al. .	
D. 360,021	7/1995	Sondén et al. .	1,565,918	12/1925	Fitzgerald .	
D. 361,829	8/1995	Sondén et al. .	1,570,974	1/1926	Stevens .....	D23/269
D. 362,299	9/1995	Sondén et al. .	2,544,108	3/1951	Richardson .	
D. 362,300	9/1995	Sondén et al. .	2,930,635	3/1960	Woodling .	
D. 363,115	10/1995	Lennartsson .	3,955,834	5/1976	Ahlrot .	
D. 367,316	2/1996	Sondén et al. .	4,007,941	2/1977	Stancati .	
D. 368,304	3/1996	Morrison .	4,050,703	9/1977	Tuvelsson et al. .	
D. 377,829	2/1997	Andersen .	5,405,174	4/1995	Sondén et al. .	
D. 383,053	9/1997	Schrader et al. .	5,531,460	7/1996	Stefansson et al. .	
D. 383,195	9/1997	Sondén et al. .	5,599,600	2/1997	Rau .	
D. 383,196	9/1997	Sondén et al. .	5,649,662	7/1997	Krichau et al. .	

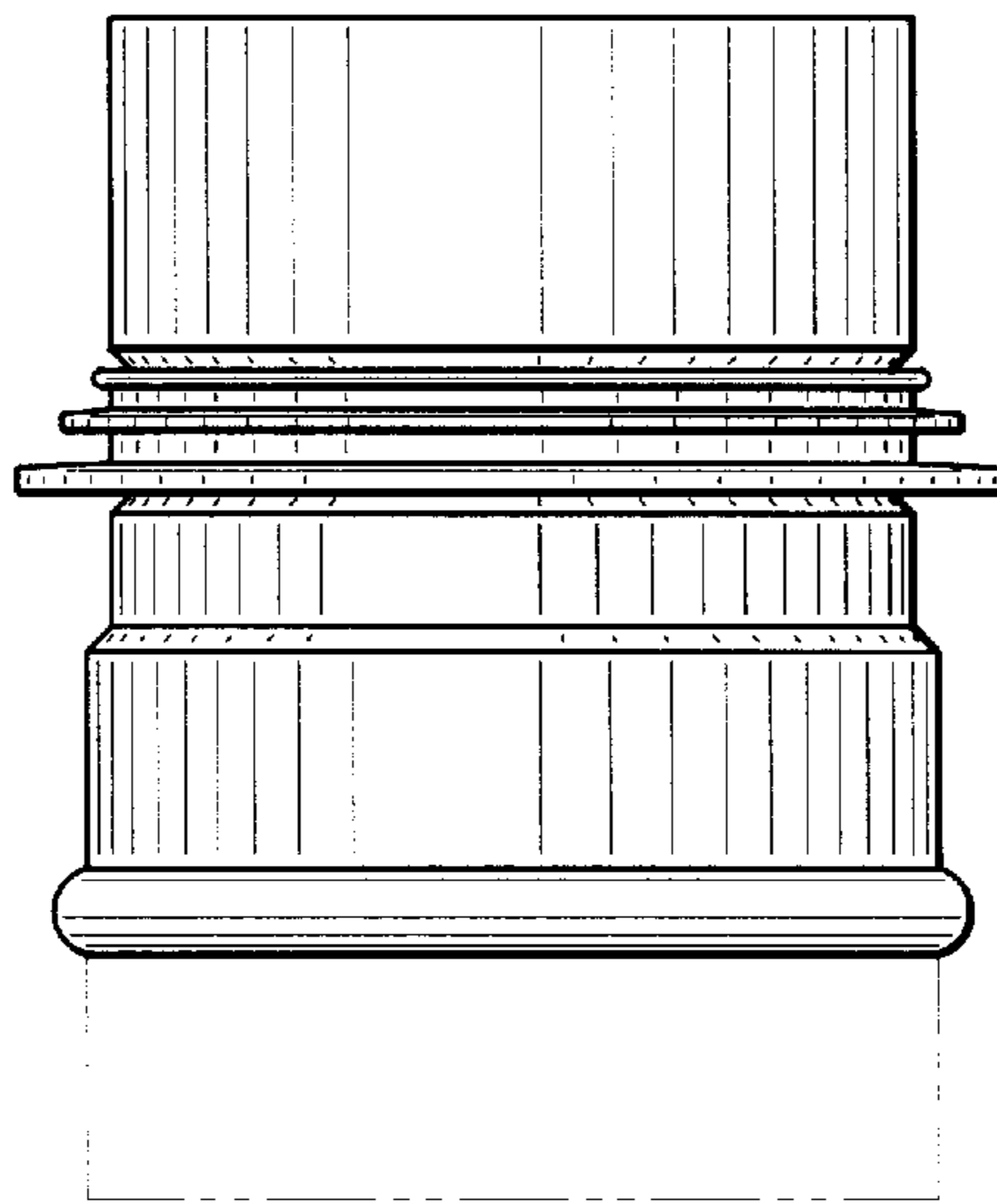


FIG. 1

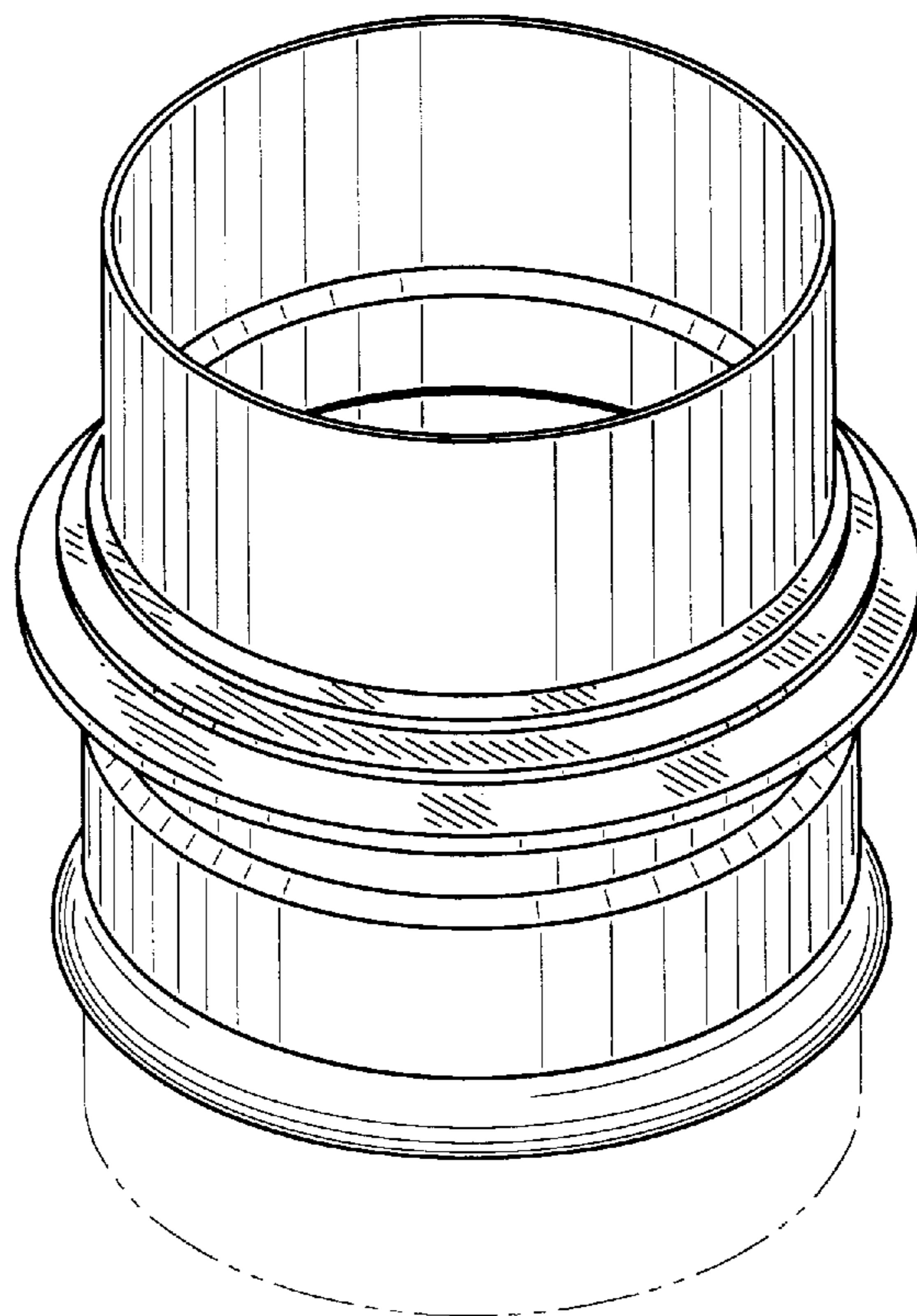


FIG. 2

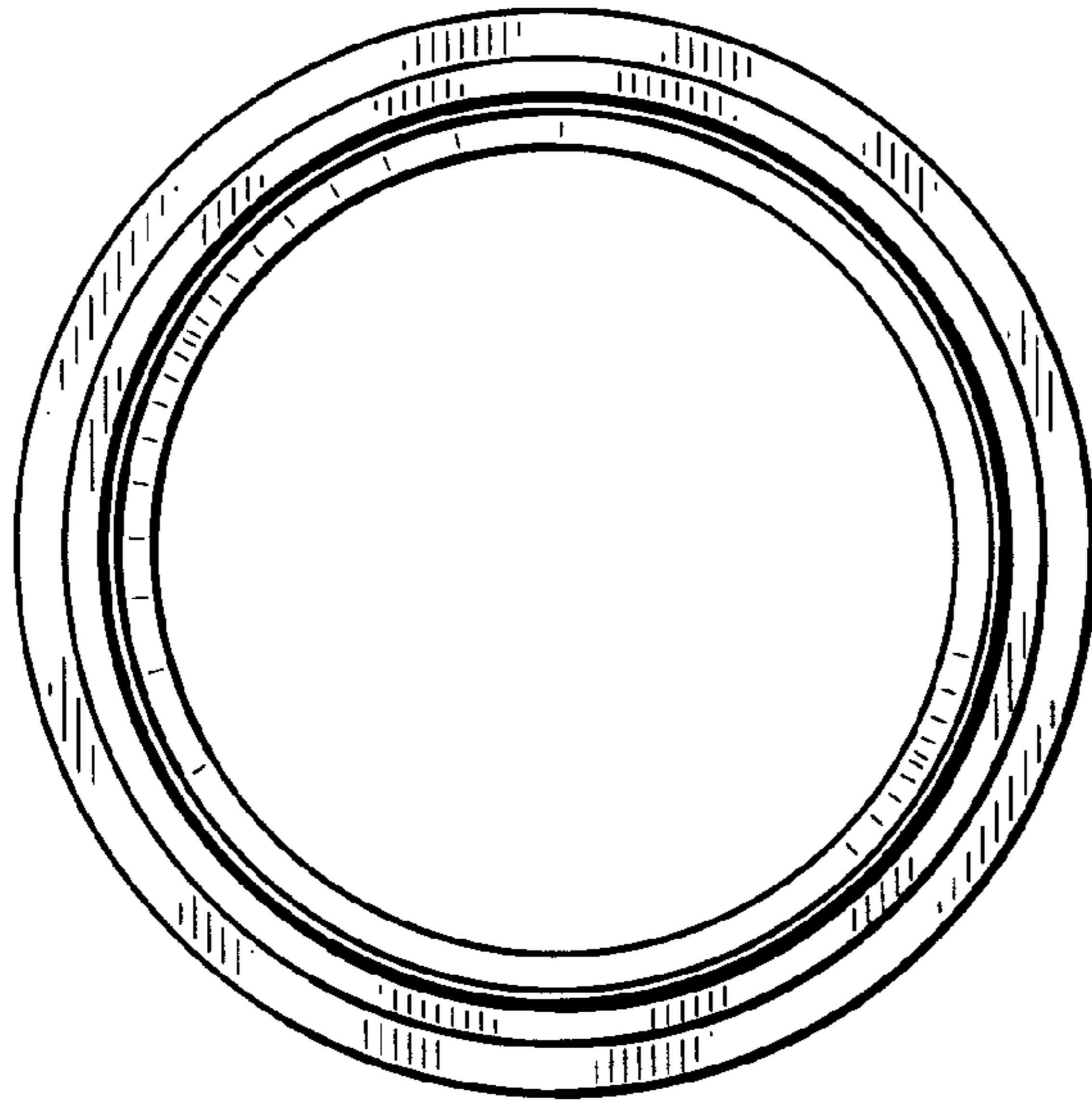


FIG. 3

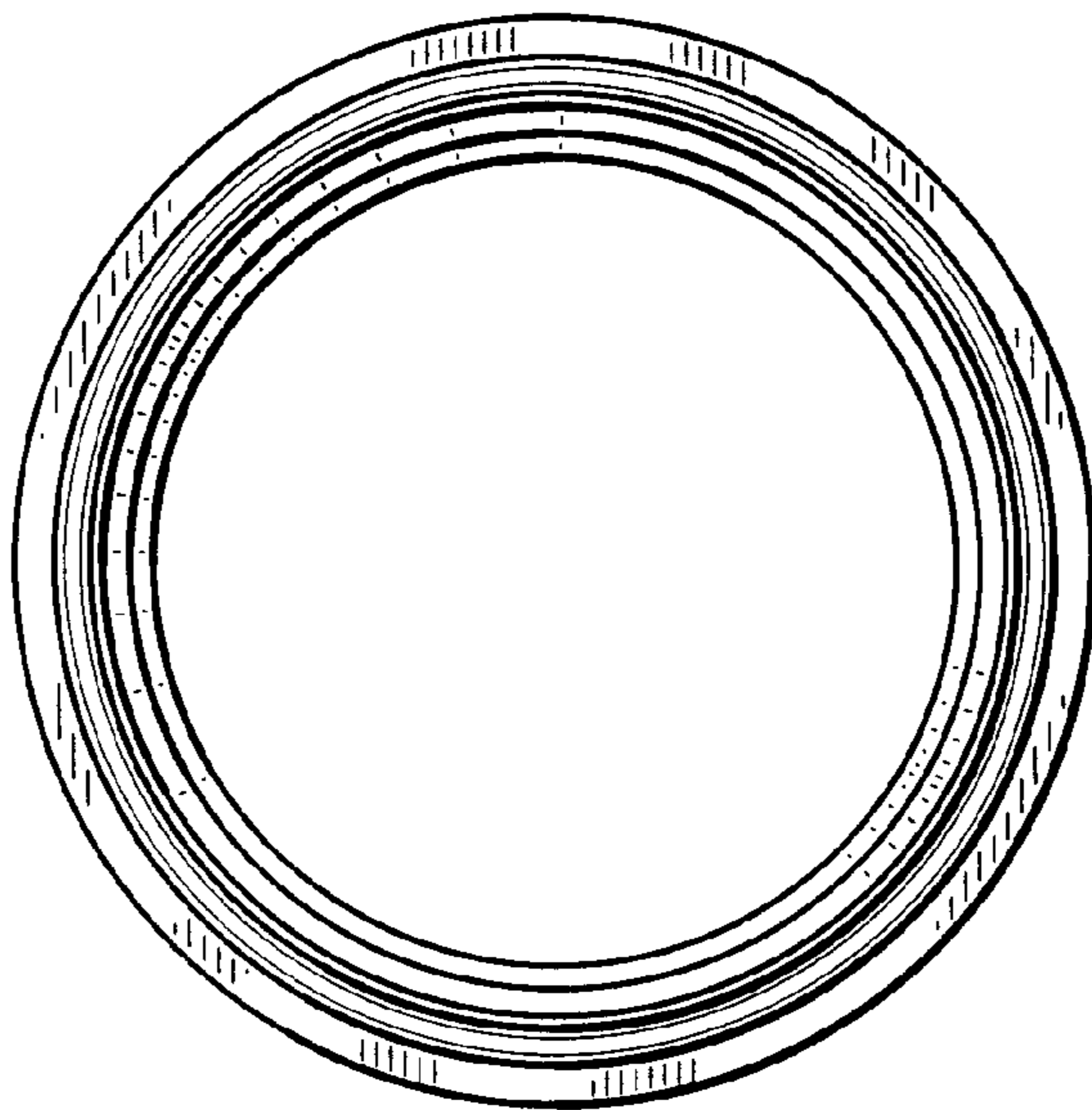


FIG. 4

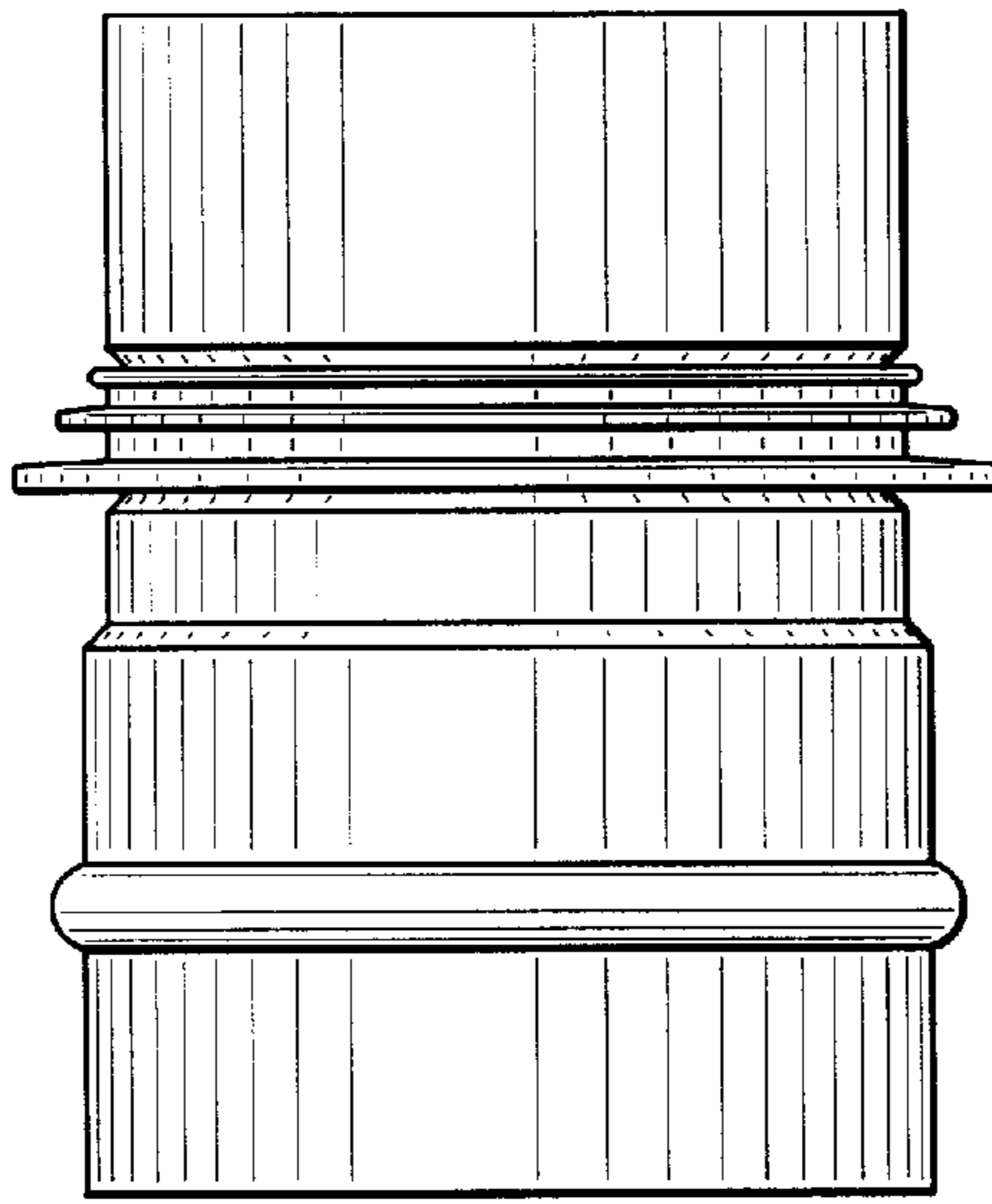


FIG. 5

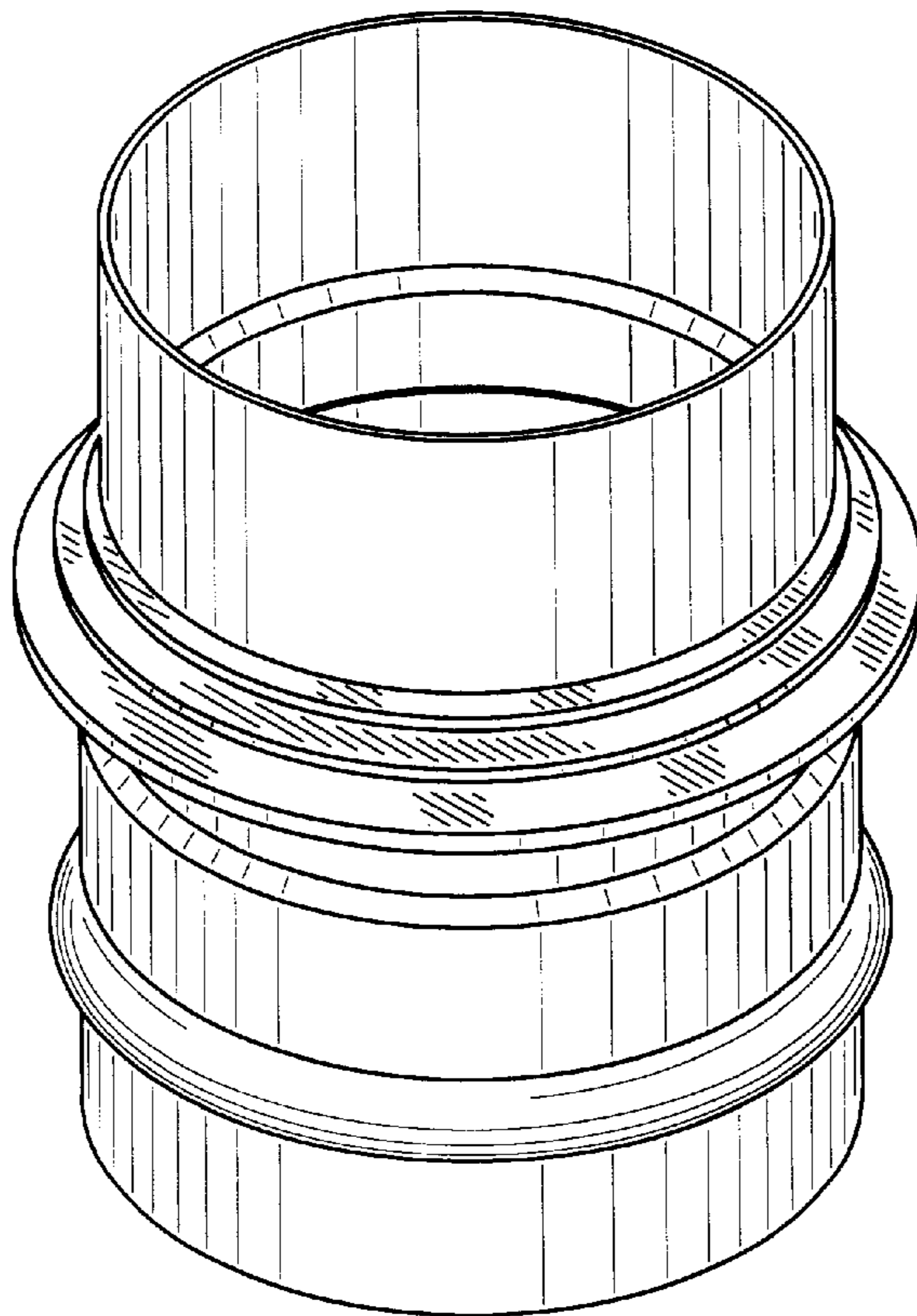


FIG. 6

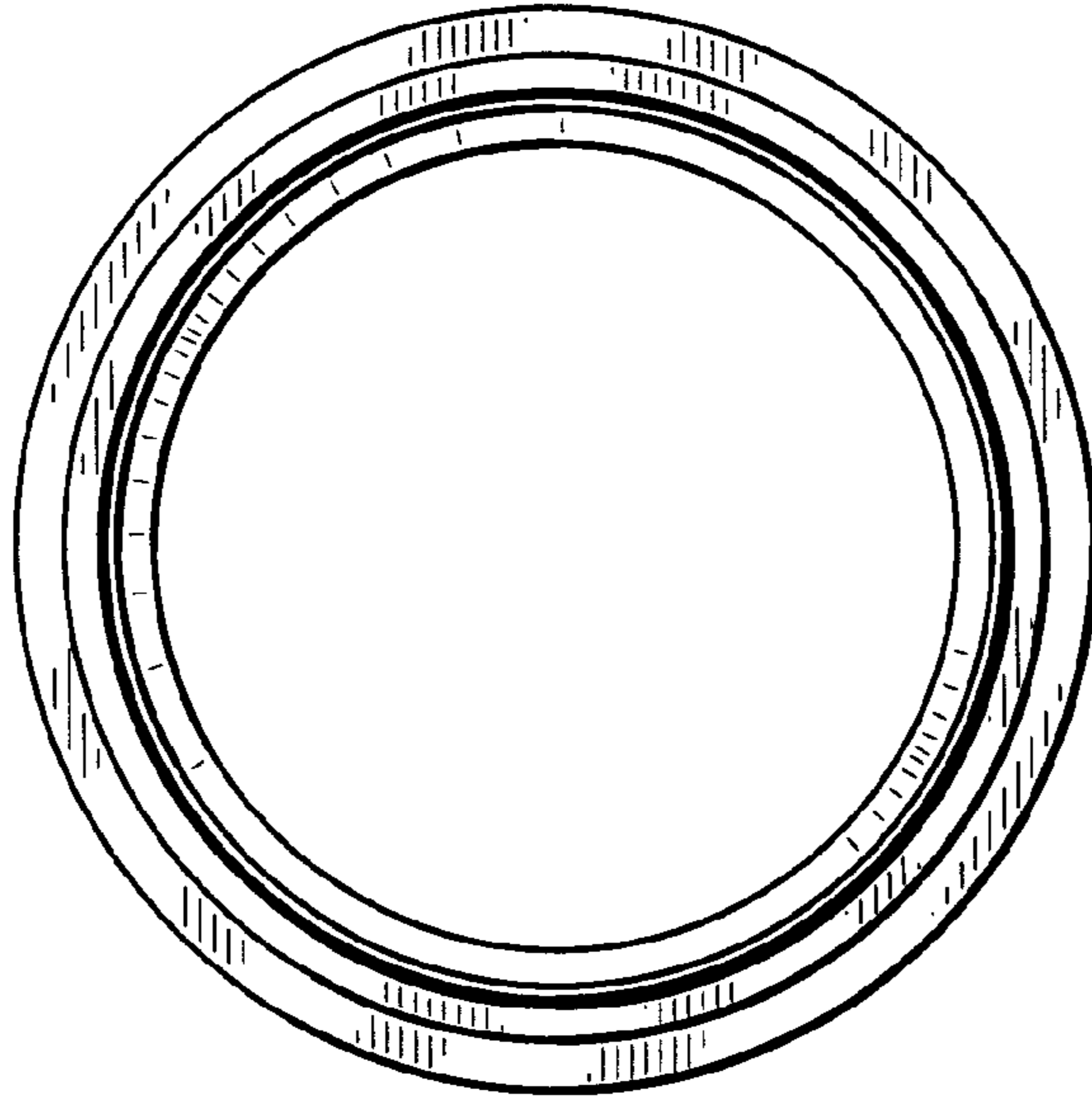


FIG. 7

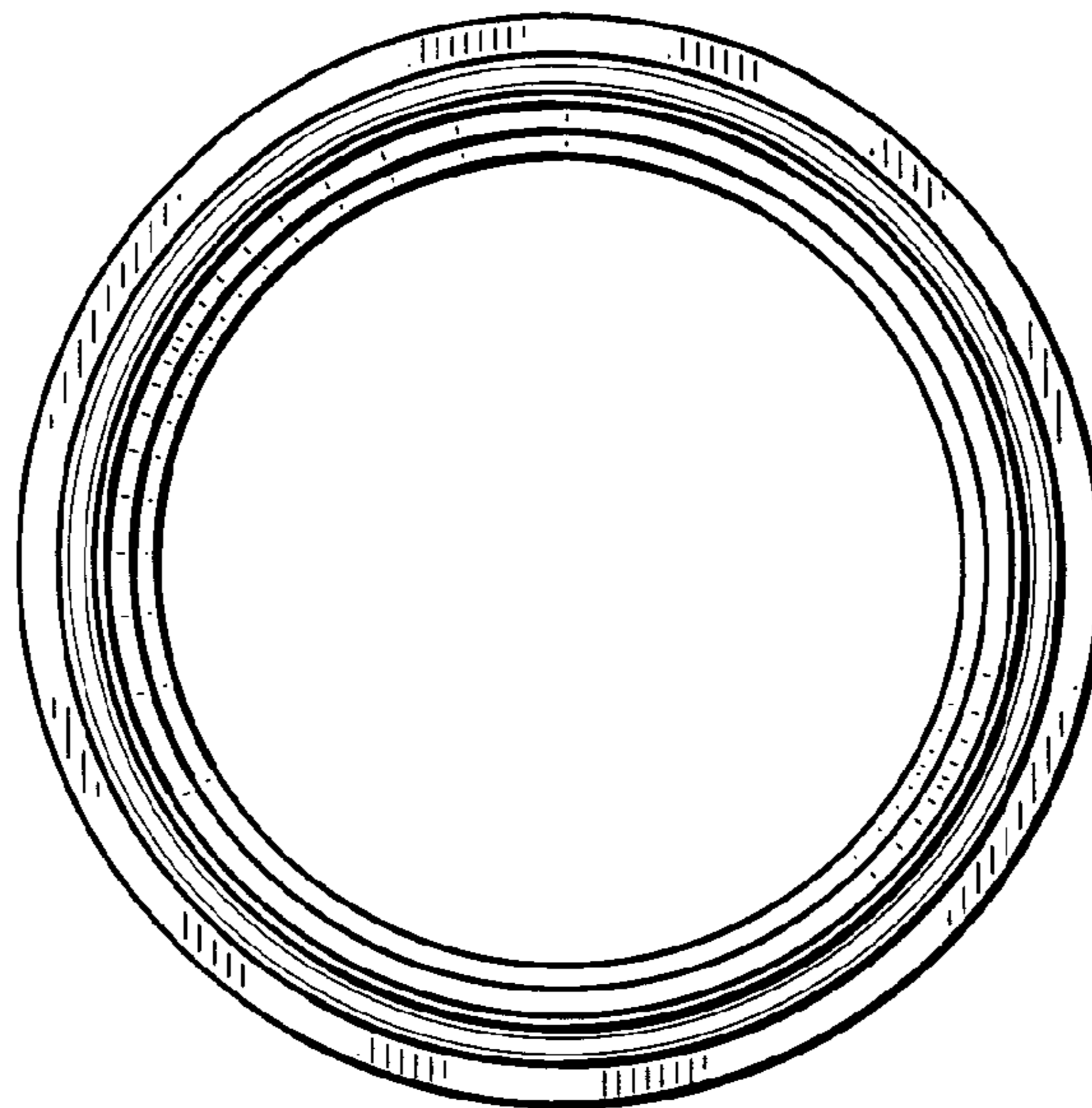


FIG. 8

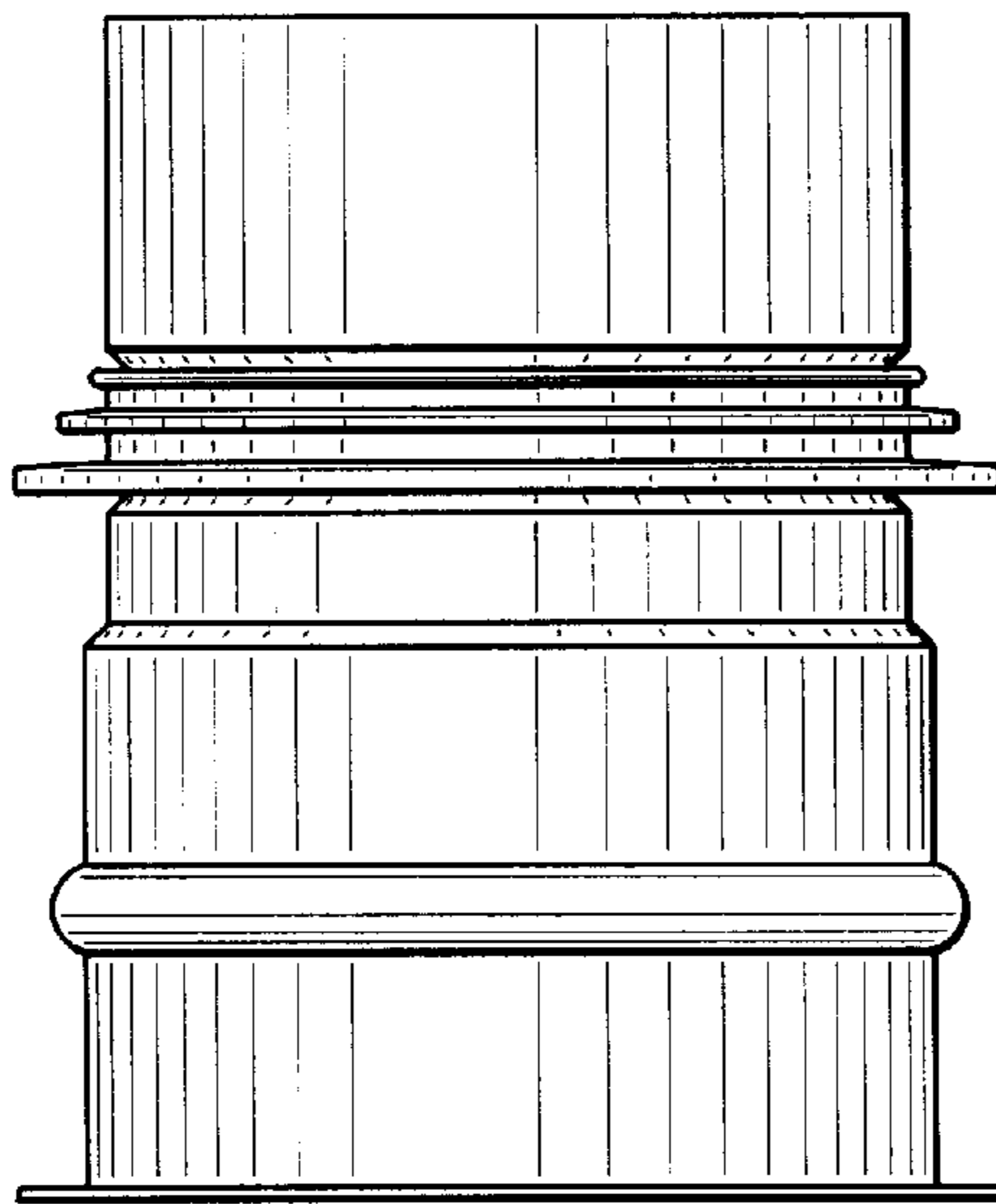


FIG. 9

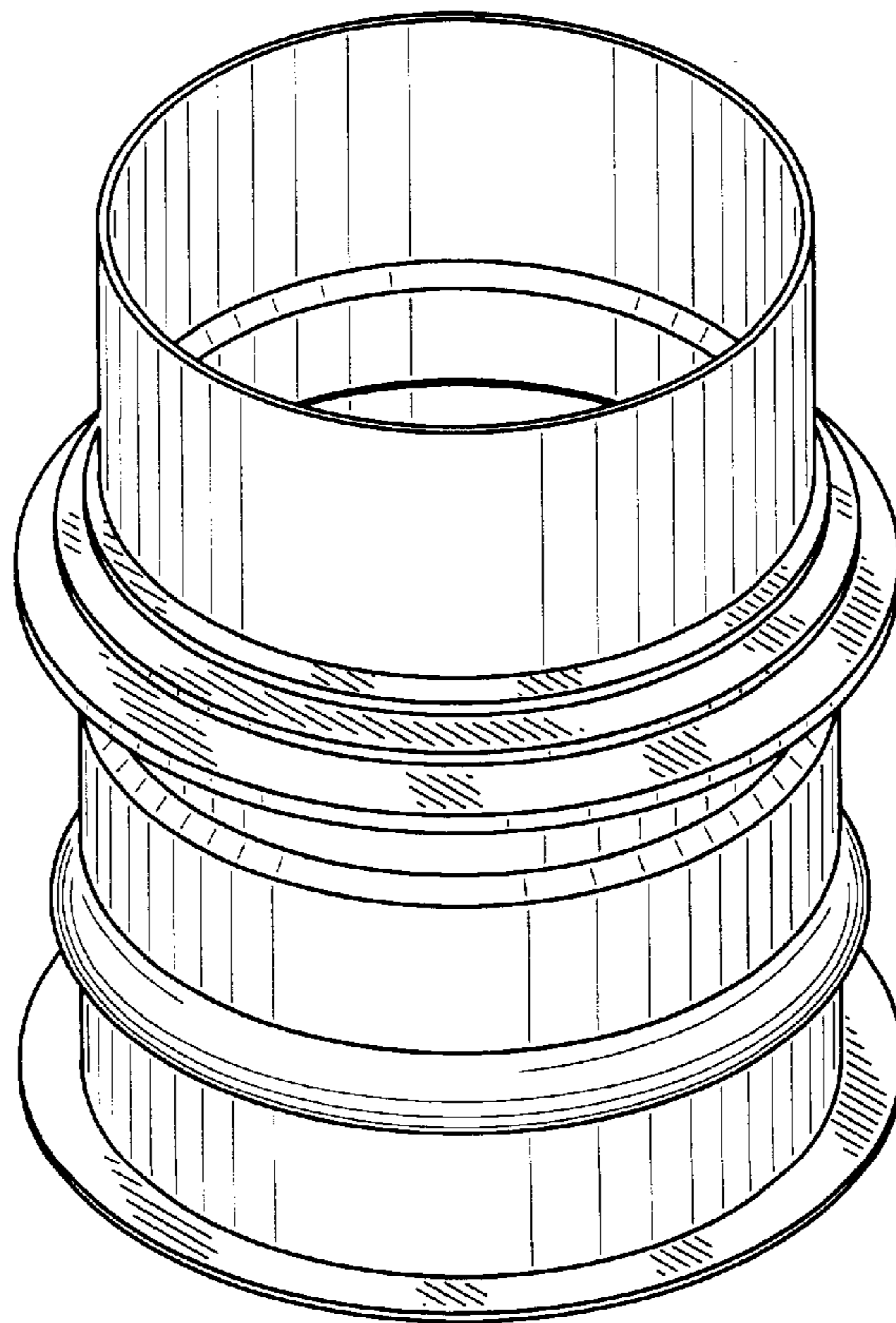


FIG. 10

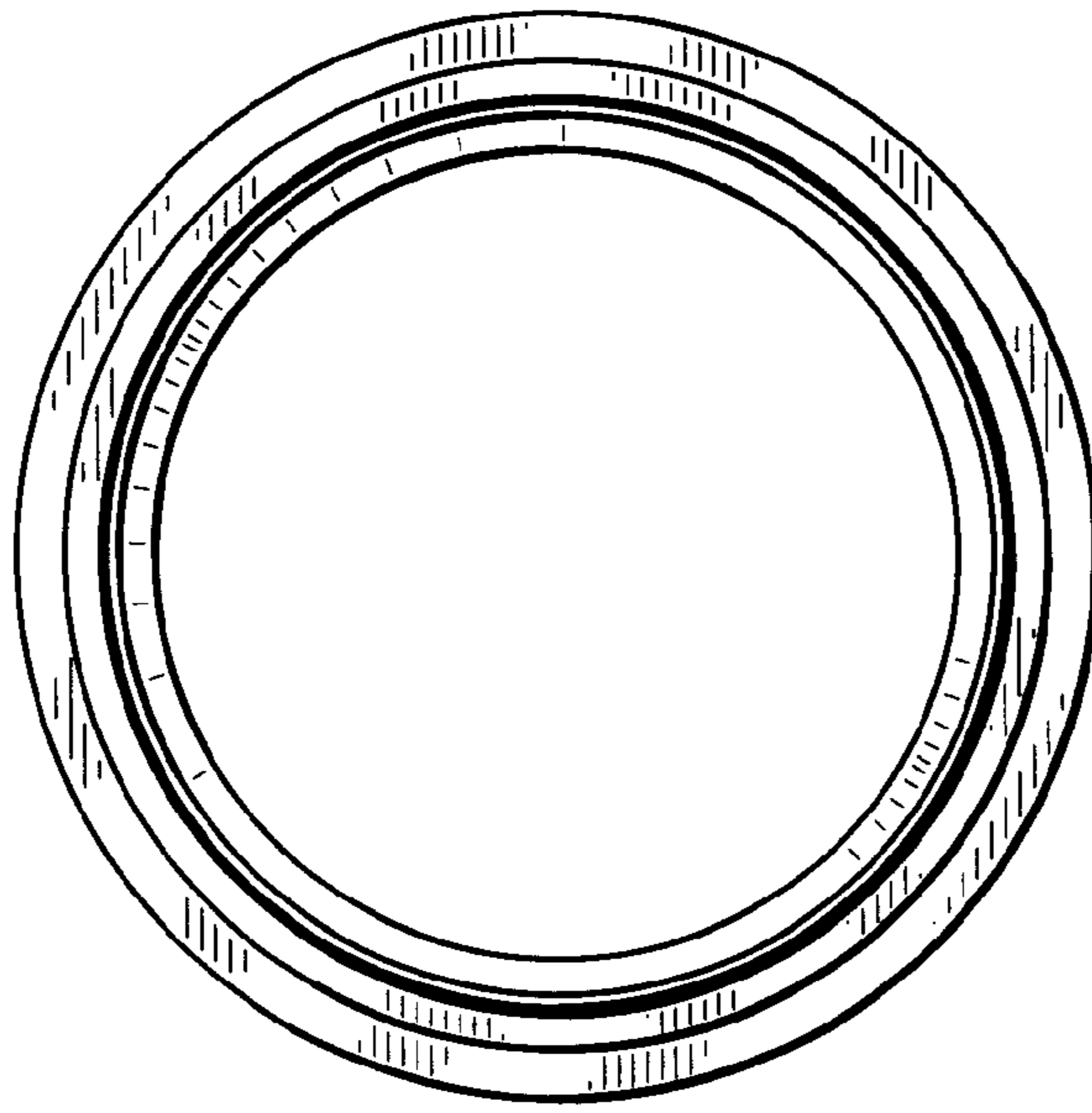


FIG. 11

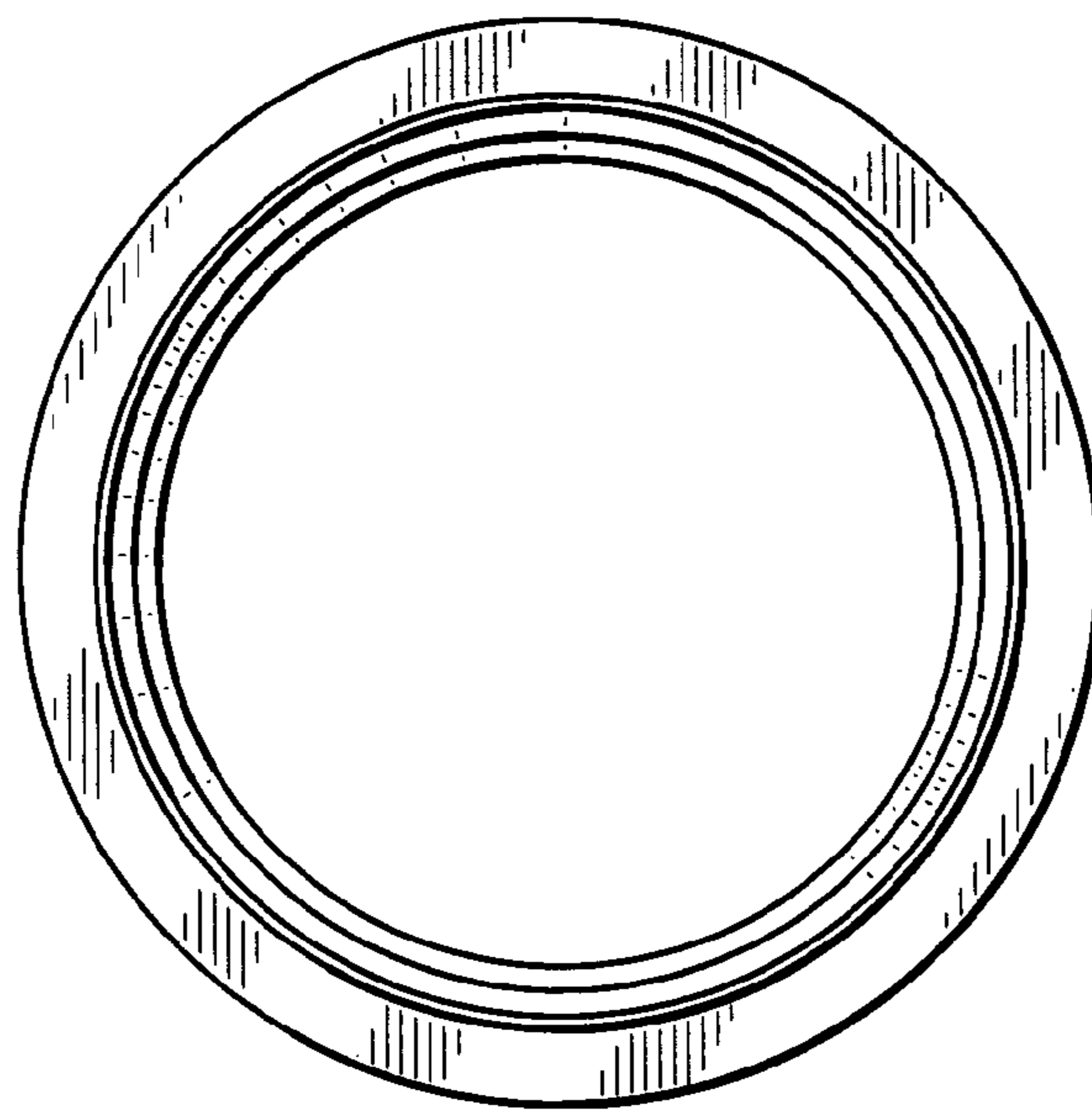


FIG. 12



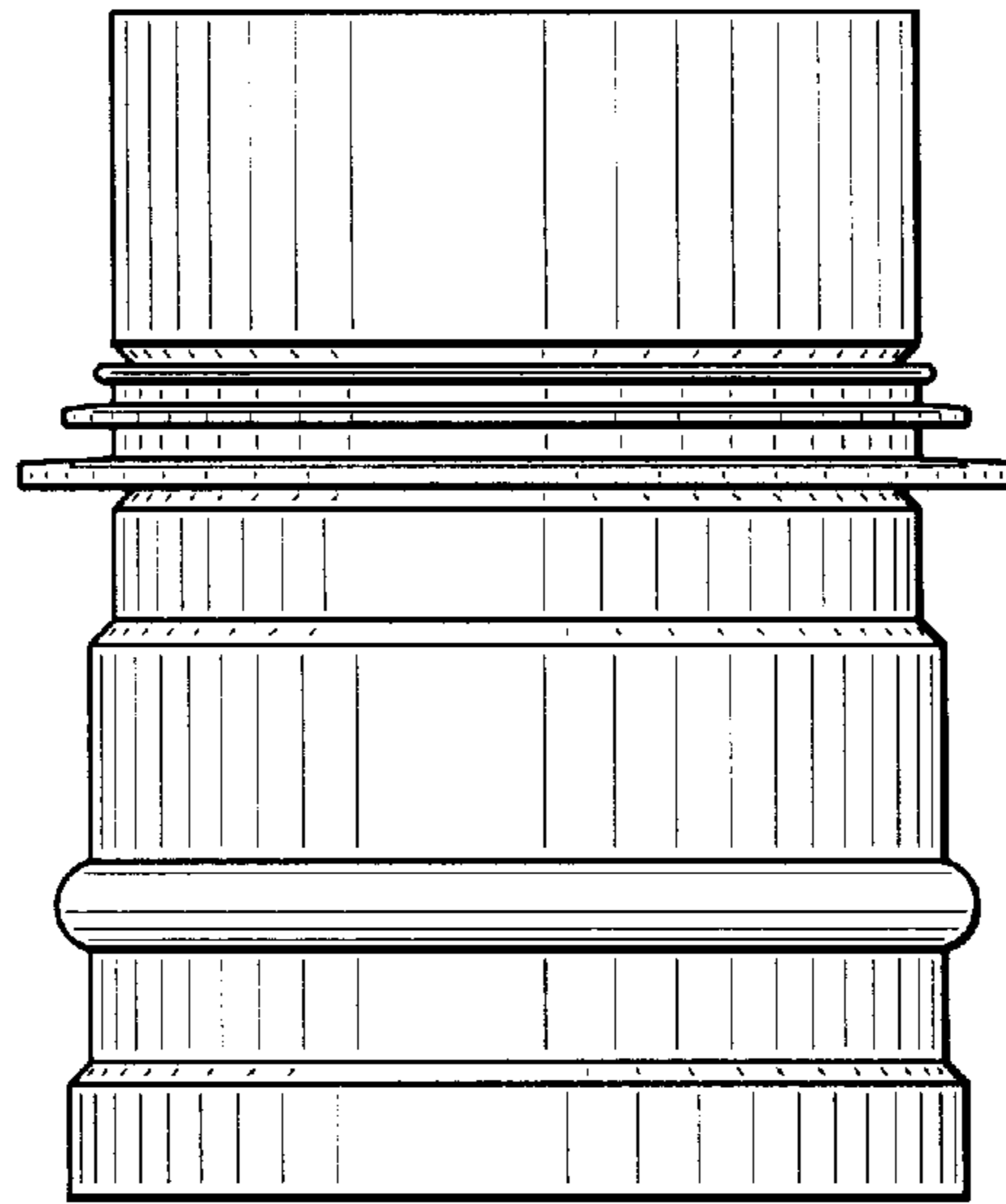


FIG. 13

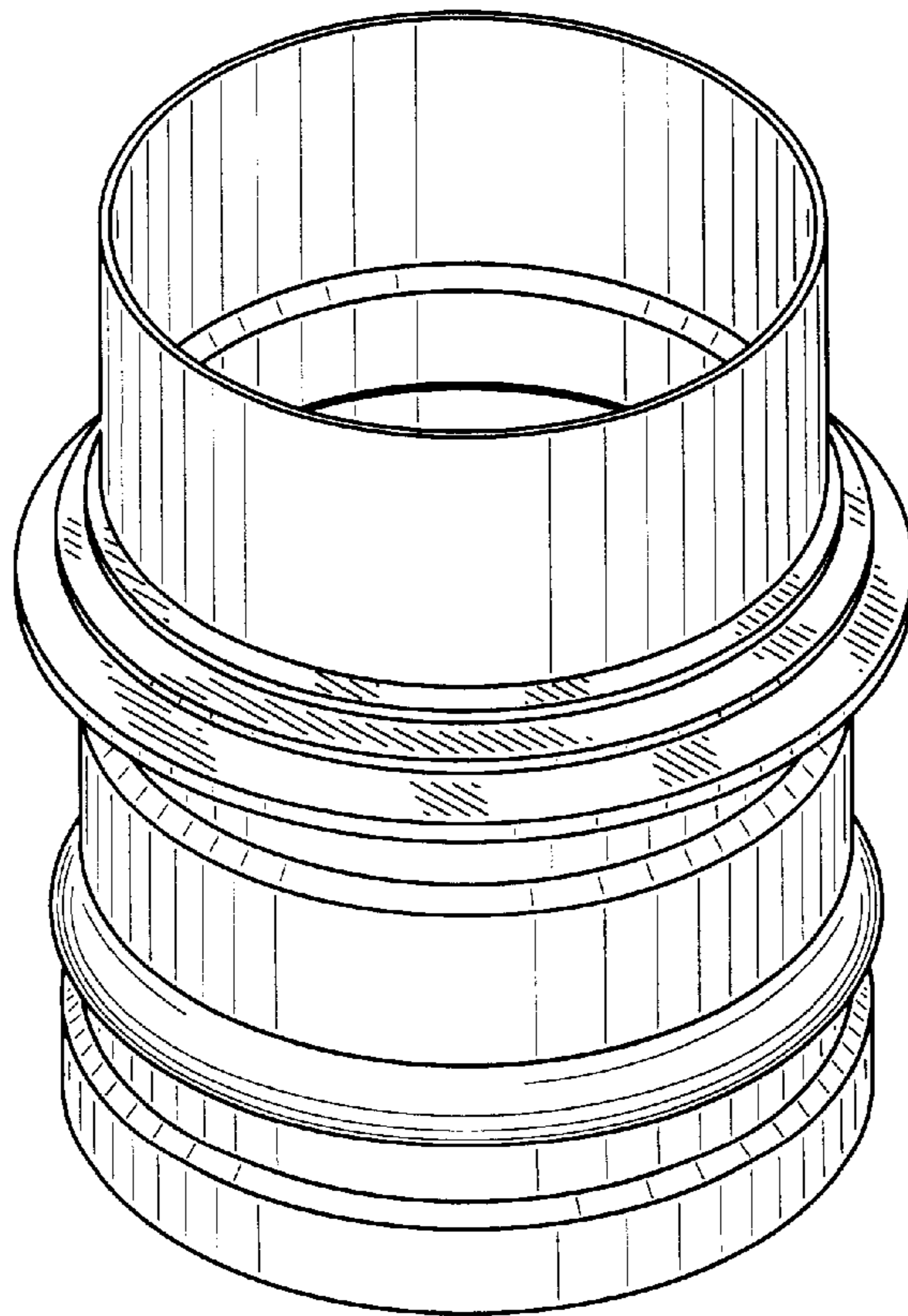


FIG. 14

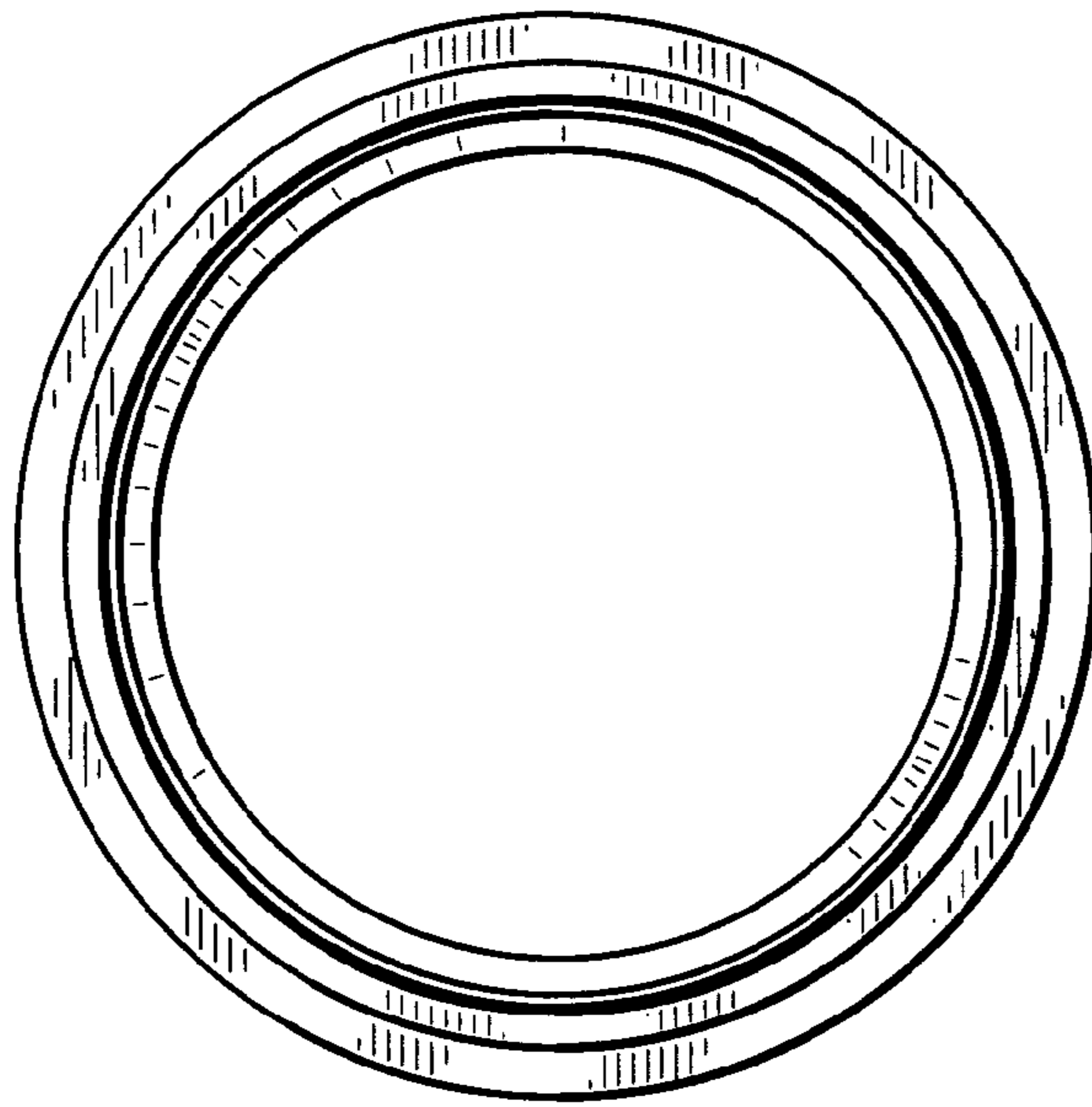


FIG. 15

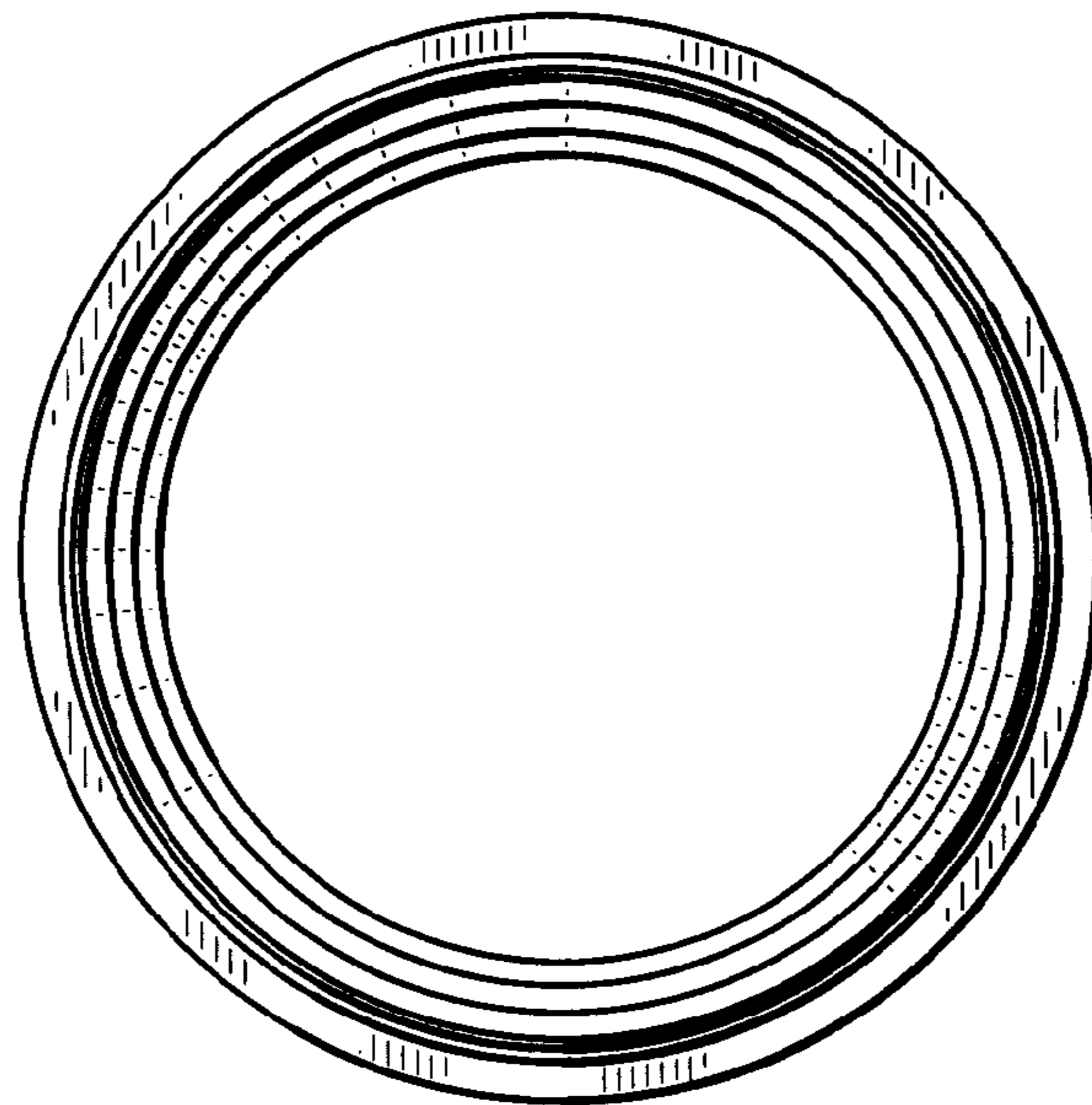


FIG. 16

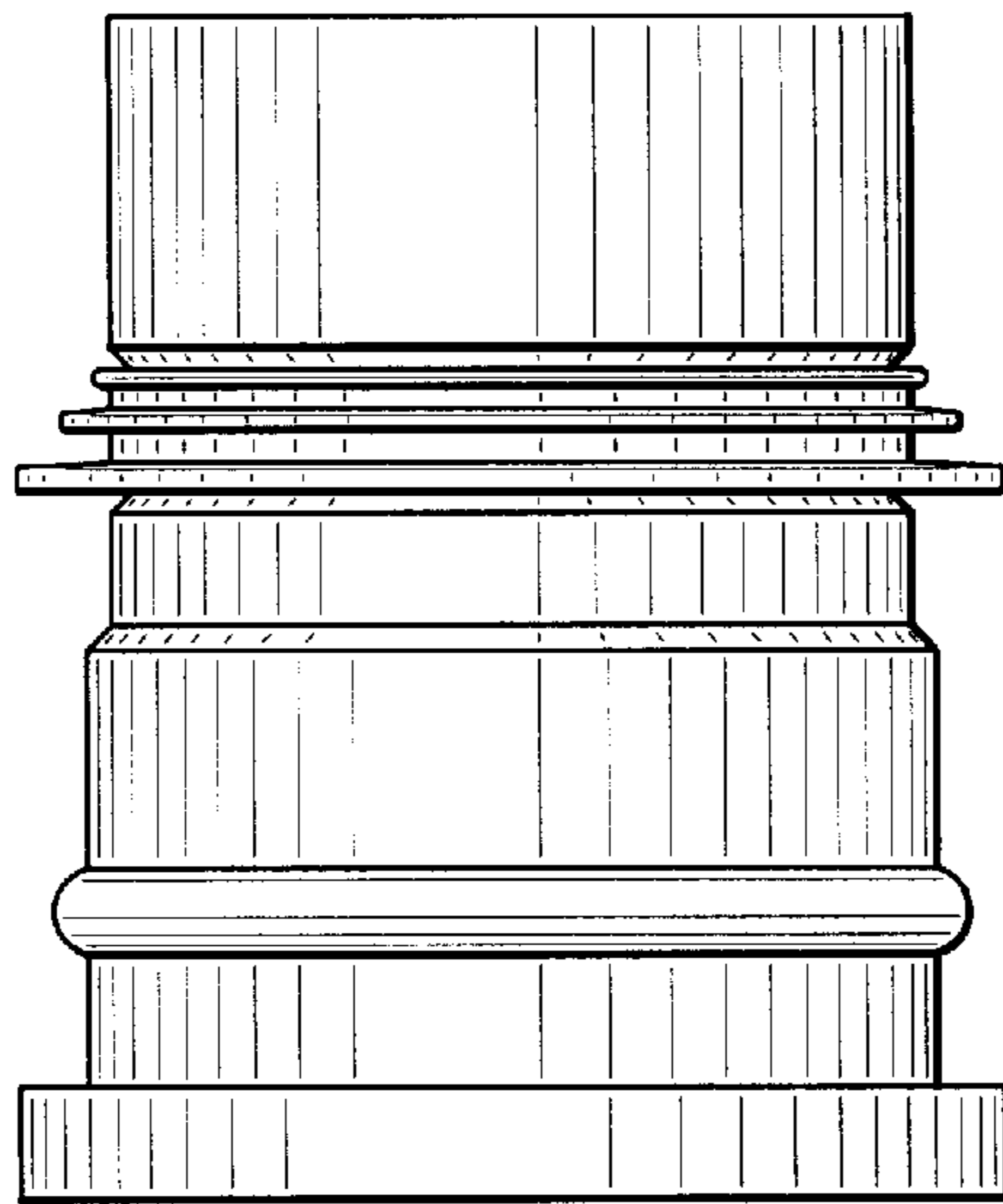


FIG. 17

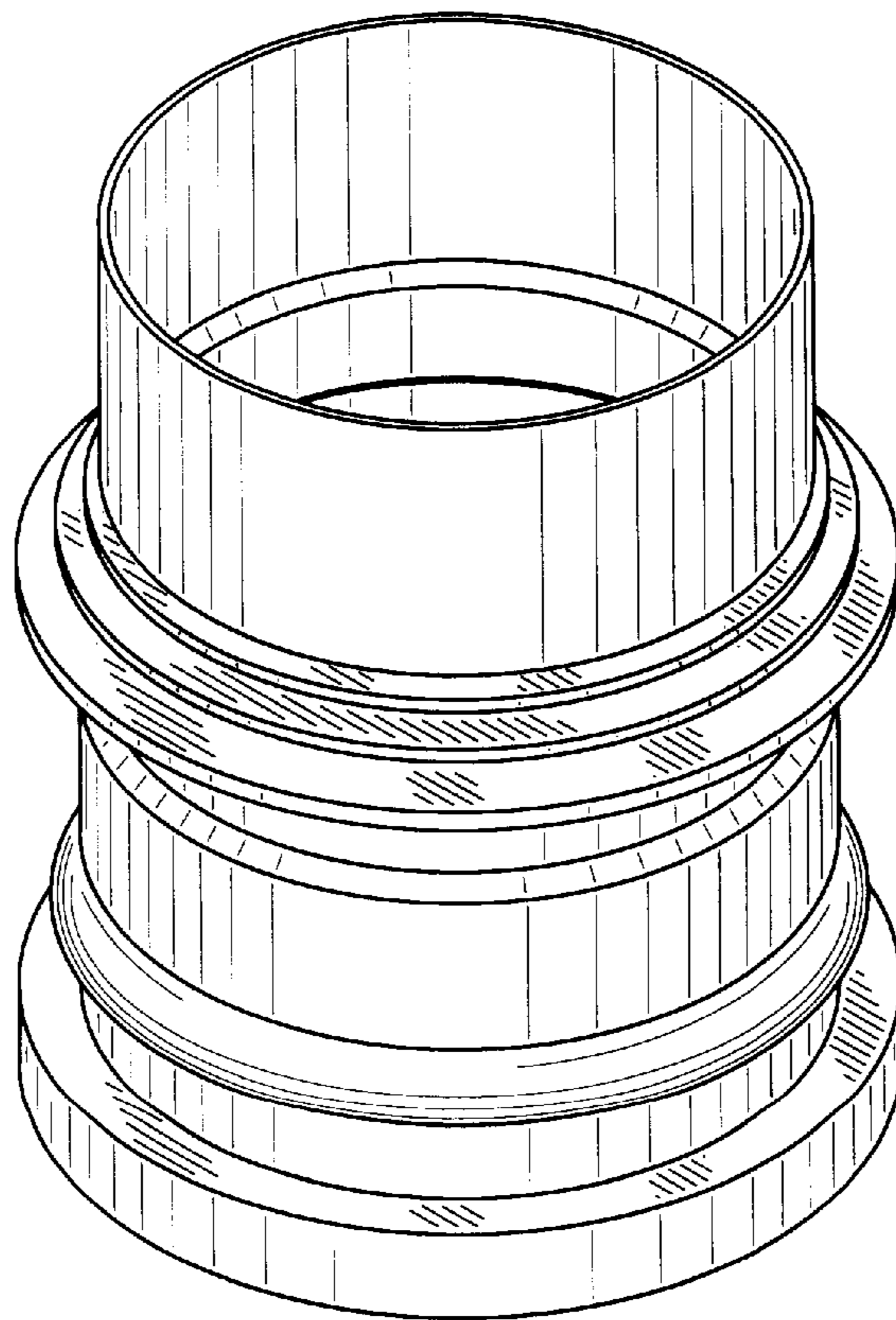


FIG. 18

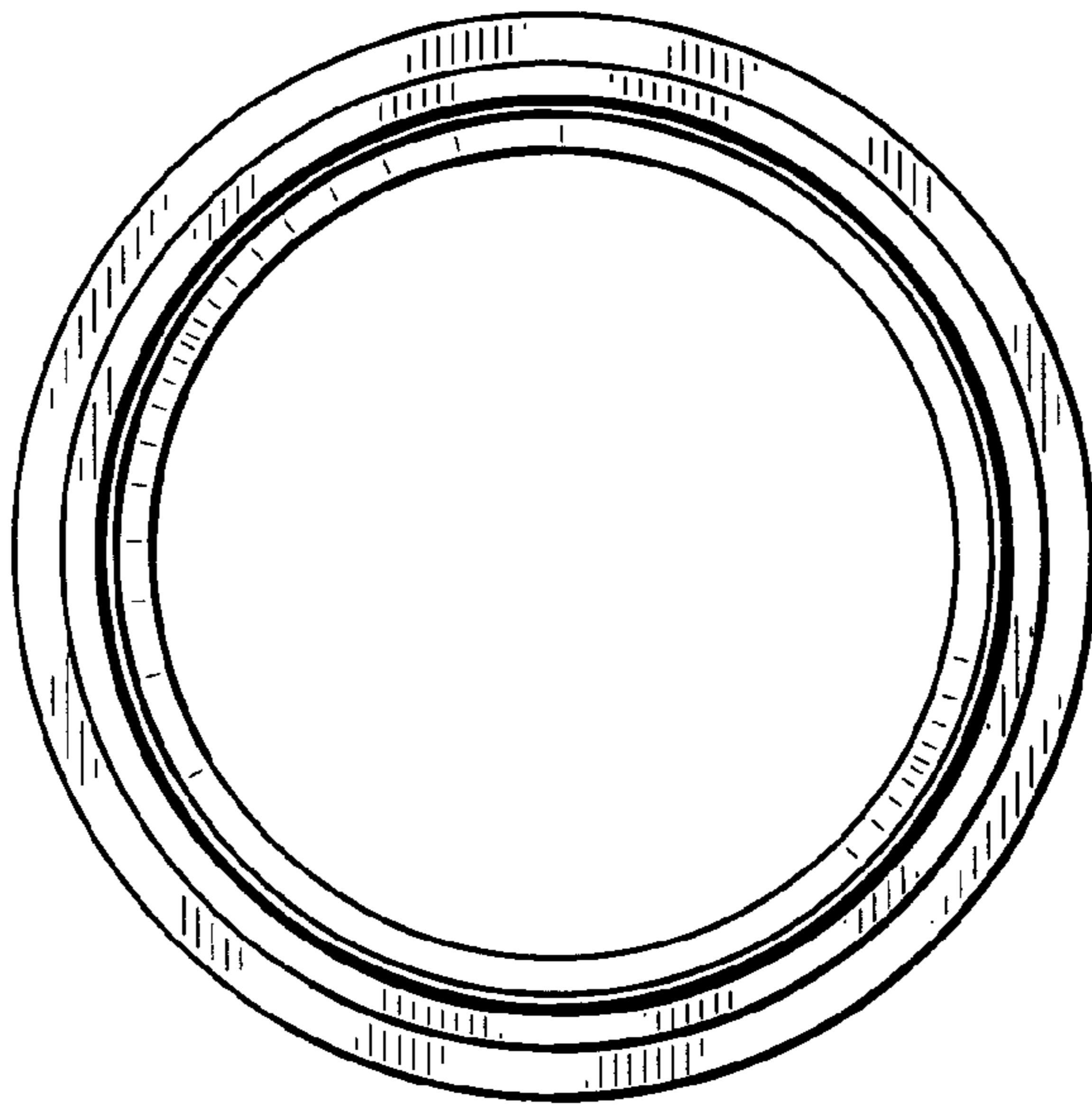


FIG. 19

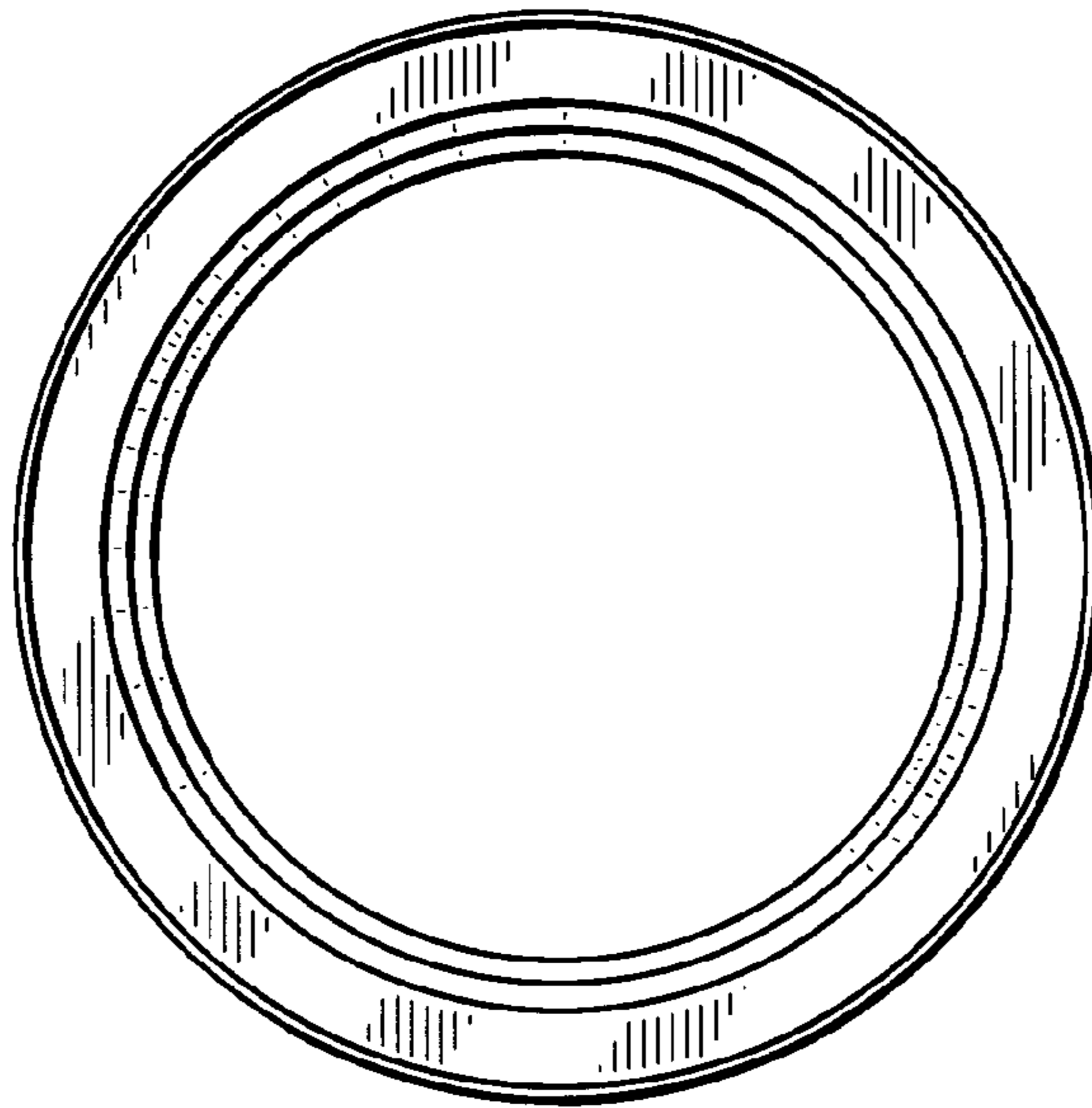


FIG. 20