



US00D427666S

United States Patent [19]

Wei et al.

[11] Patent Number: Des. 427,666

[45] Date of Patent: ** Jul. 4, 2000

[54] FAUCET BODY

[76] Inventors: **Ming-Te Wei**, No. 162 Da-Ming Rd, Shen-Kang Hsiang, Taichung Hsien; **Chin-Tang Hsieh**, No. 512-Liao Tsuo Li Lukang, Changhua, both of Taiwan; **Philip F. Friedrich**, 624 Lakeside Dr., Fullerton, Calif. 92836

[**] Term: 14 Years

[21] Appl. No.: 29/114,218

[22] Filed: Nov. 22, 1999

[51] LOC (7) Cl. 23-01

[52] U.S. Cl. D23/255; D23/238

[58] Field of Search D23/238-243, D23/250-257; 4/675-678; 132/801

[56] References Cited

U.S. PATENT DOCUMENTS

D. 229,495	12/1973	Landell	D23/241
D. 347,466	5/1994	Kolada et al.	D23/241
D. 361,827	8/1995	Doughty et al.	D23/241
D. 381,397	7/1997	Steffes	D23/238
D. 382,629	8/1997	Doughty et al.	D23/241
D. 384,396	9/1997	Doughty et al.	D23/241
D. 390,637	2/1998	Ko	D23/241
D. 390,638	2/1998	Ko	D23/241

D. 393,692	4/1998	Ko	D23/238
D. 400,646	11/1998	Hill et al.	D23/241
D. 401,673	11/1998	Steffes	D23/241
D. 404,467	1/1999	Doughty et al.	D23/242
D. 410,527	6/1999	Chang et al.	D23/241
D. 415,825	10/1999	Chang et al.	D23/241

OTHER PUBLICATIONS

American Standard Catalog, p. 1-11, spec sheet for the Cadet Ragency Faucet, Dec. 1992.

Primary Examiner—Louis S. Zarfes
Assistant Examiner—Gregory Andoll

[57] CLAIM

We claim the ornamental design for a faucet body, as shown and described.

DESCRIPTION

FIG. 1 is a perspective generally isometric view of faucet body.

FIG. 2 is a front elevational view of the invention.

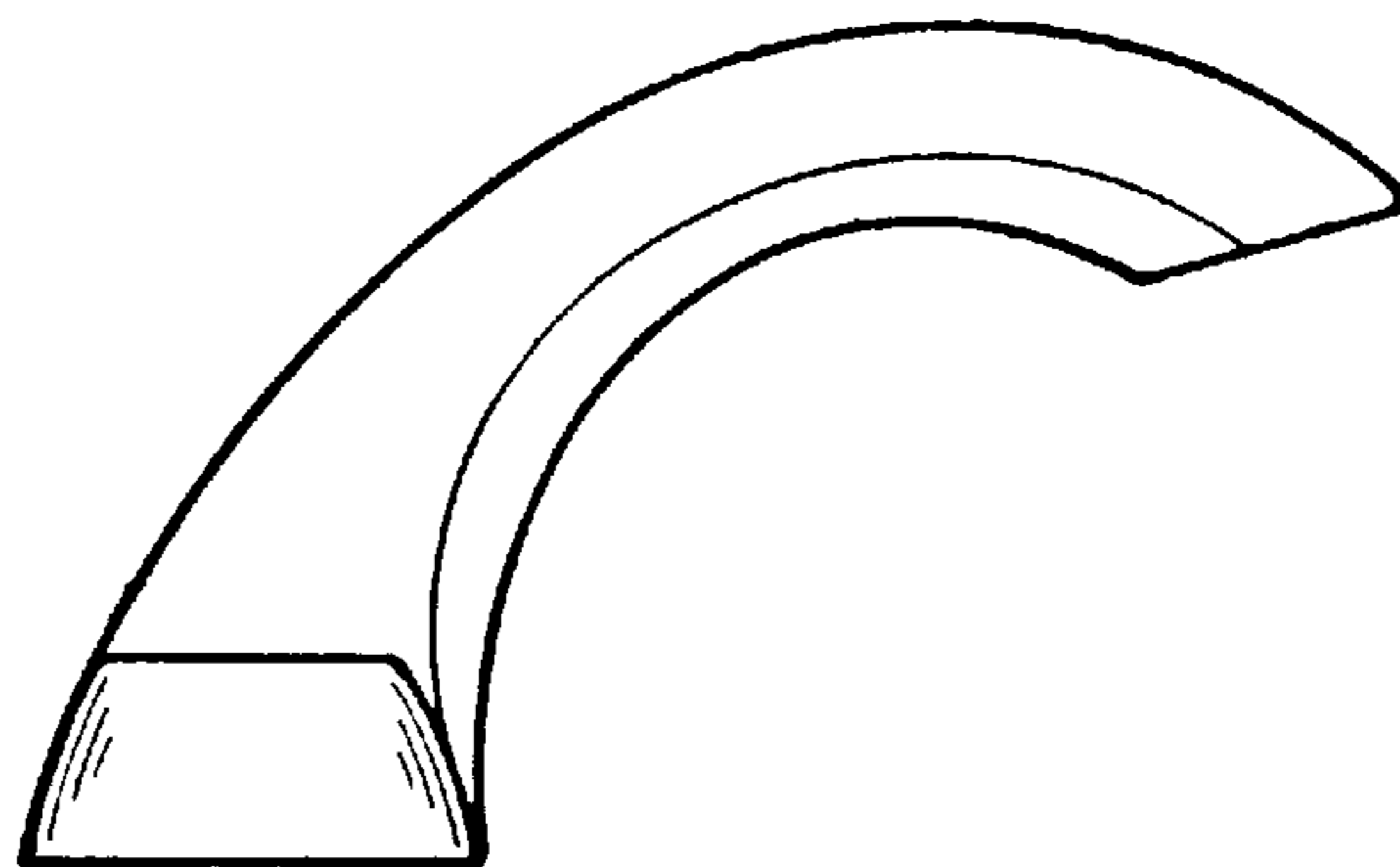
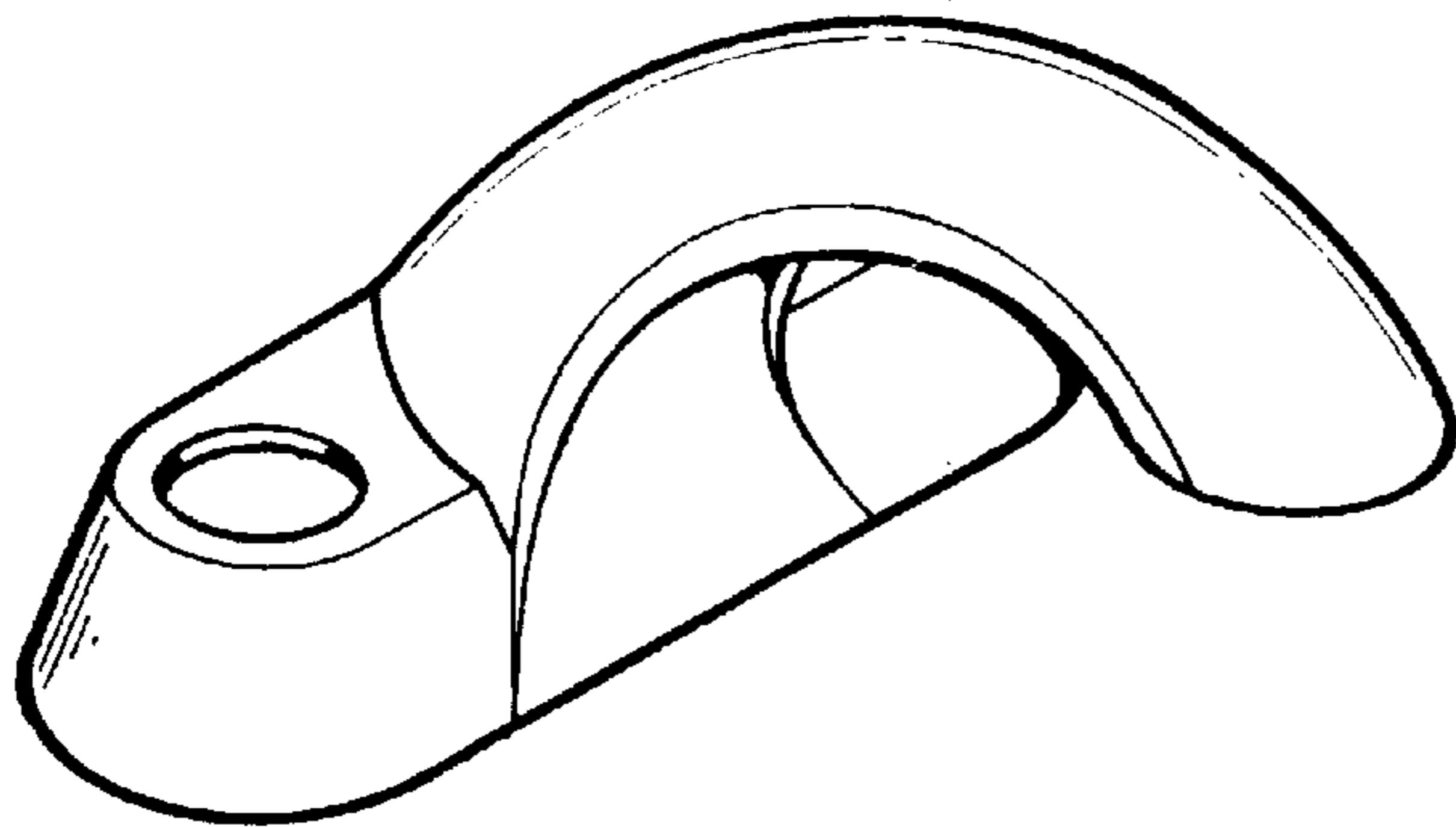
FIG. 3 is a top plan view of the invention.

FIG. 4 is a rear elevational view of the invention.

FIG. 5 is a side view of the invention, the opposite side being a mirror image of this side view; and,

FIG. 6 is a bottom plan view of the invention.

1 Claim, 1 Drawing Sheet



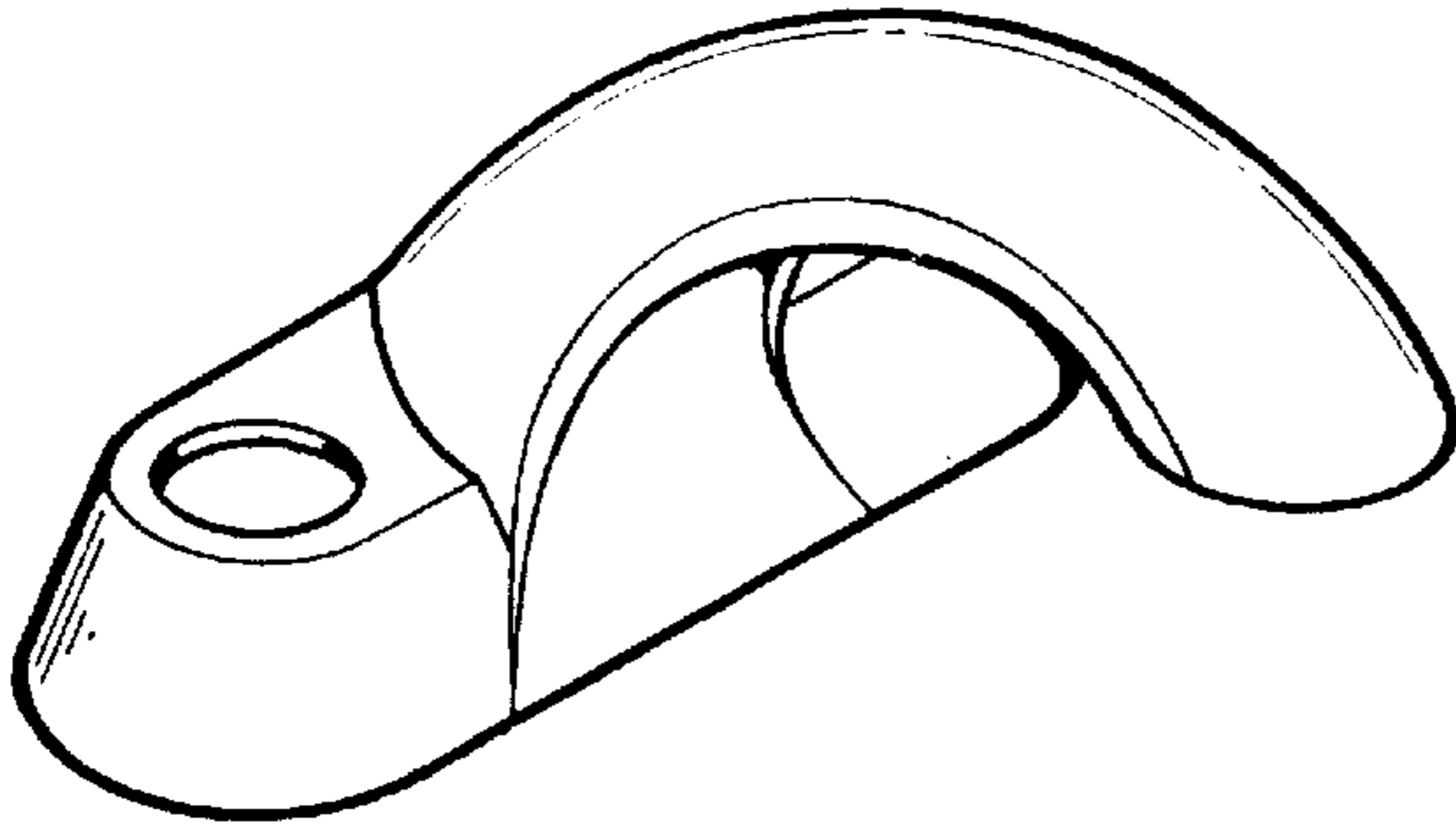


FIG. 1

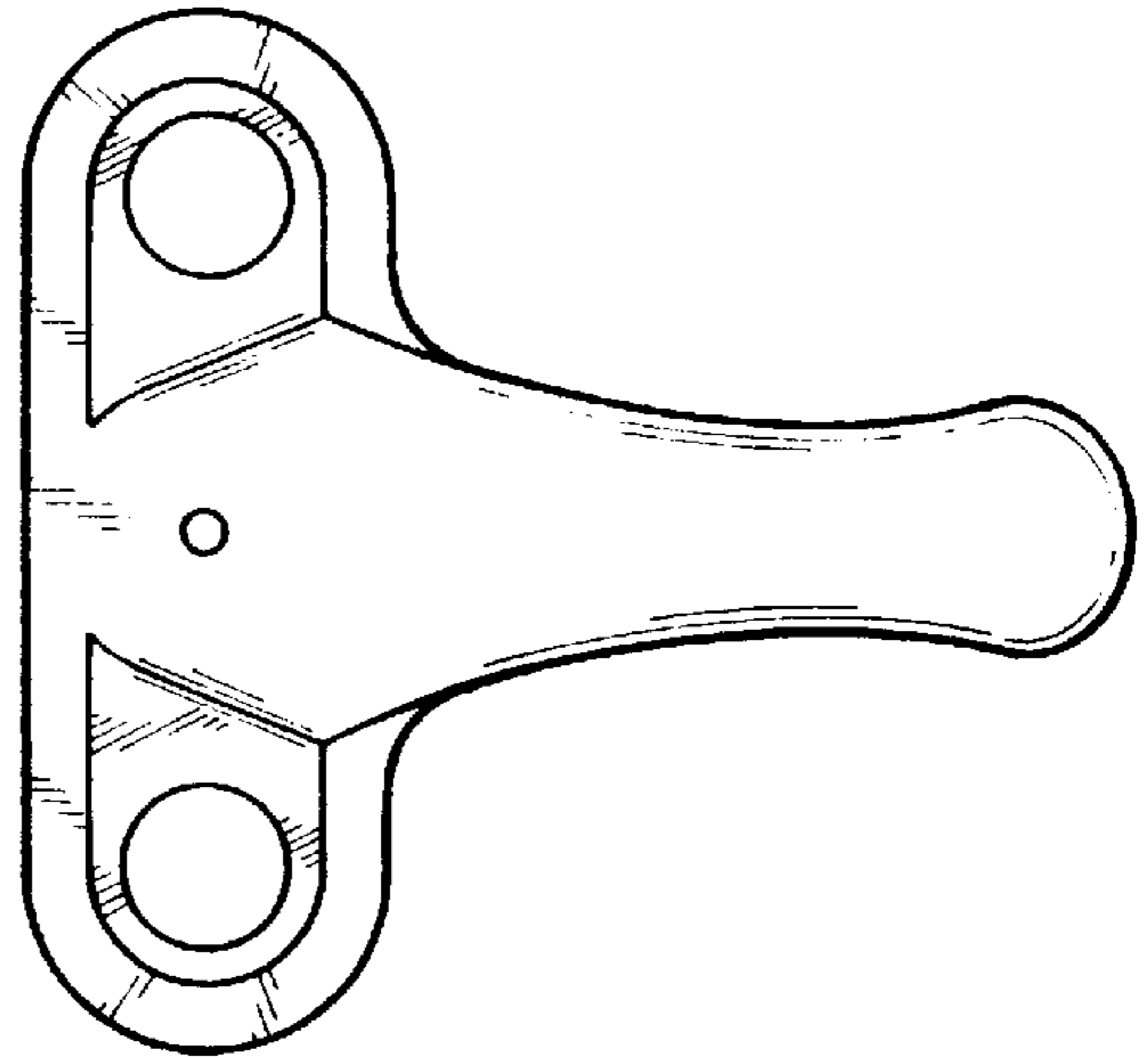


FIG. 2

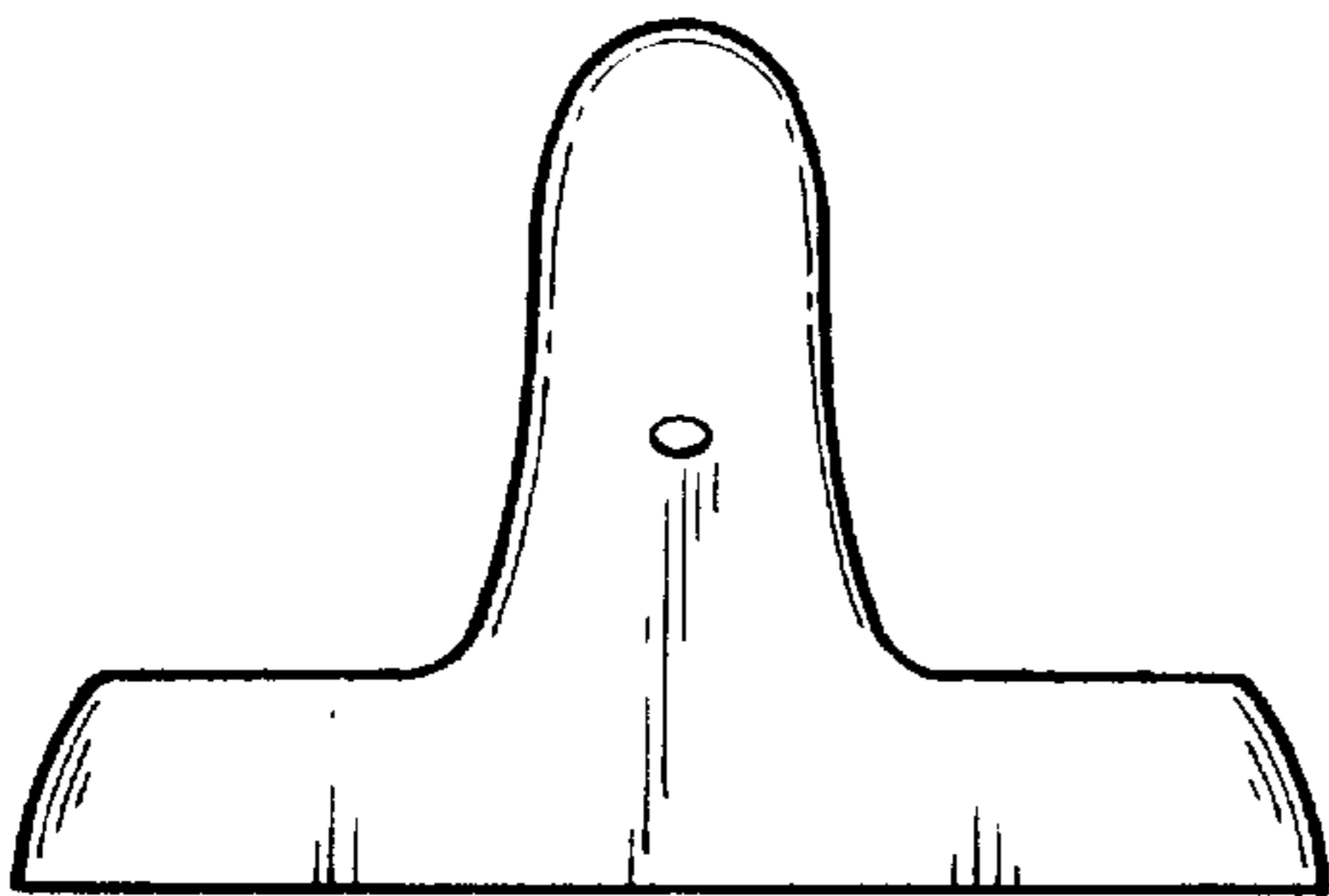


FIG. 3

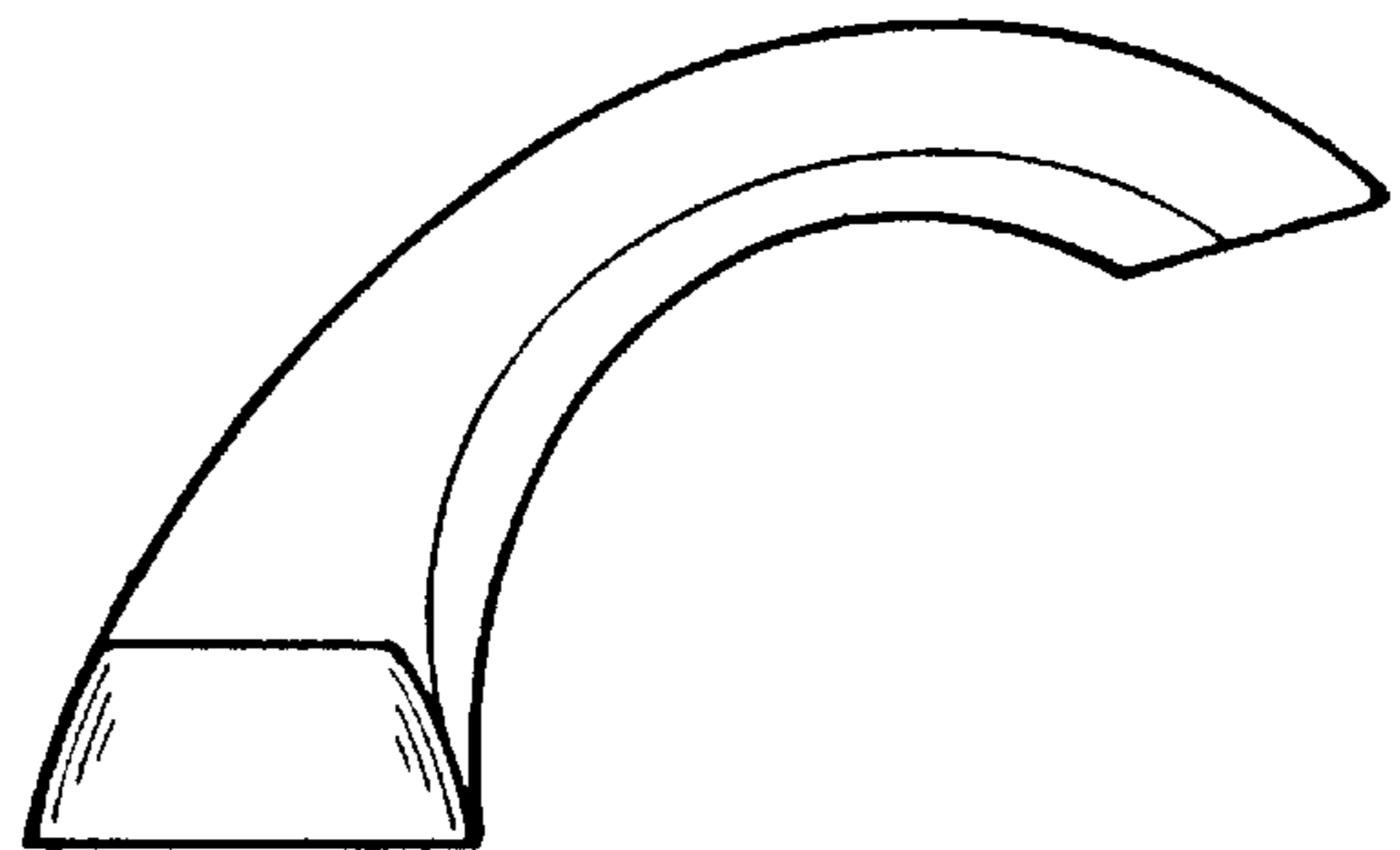


FIG. 4

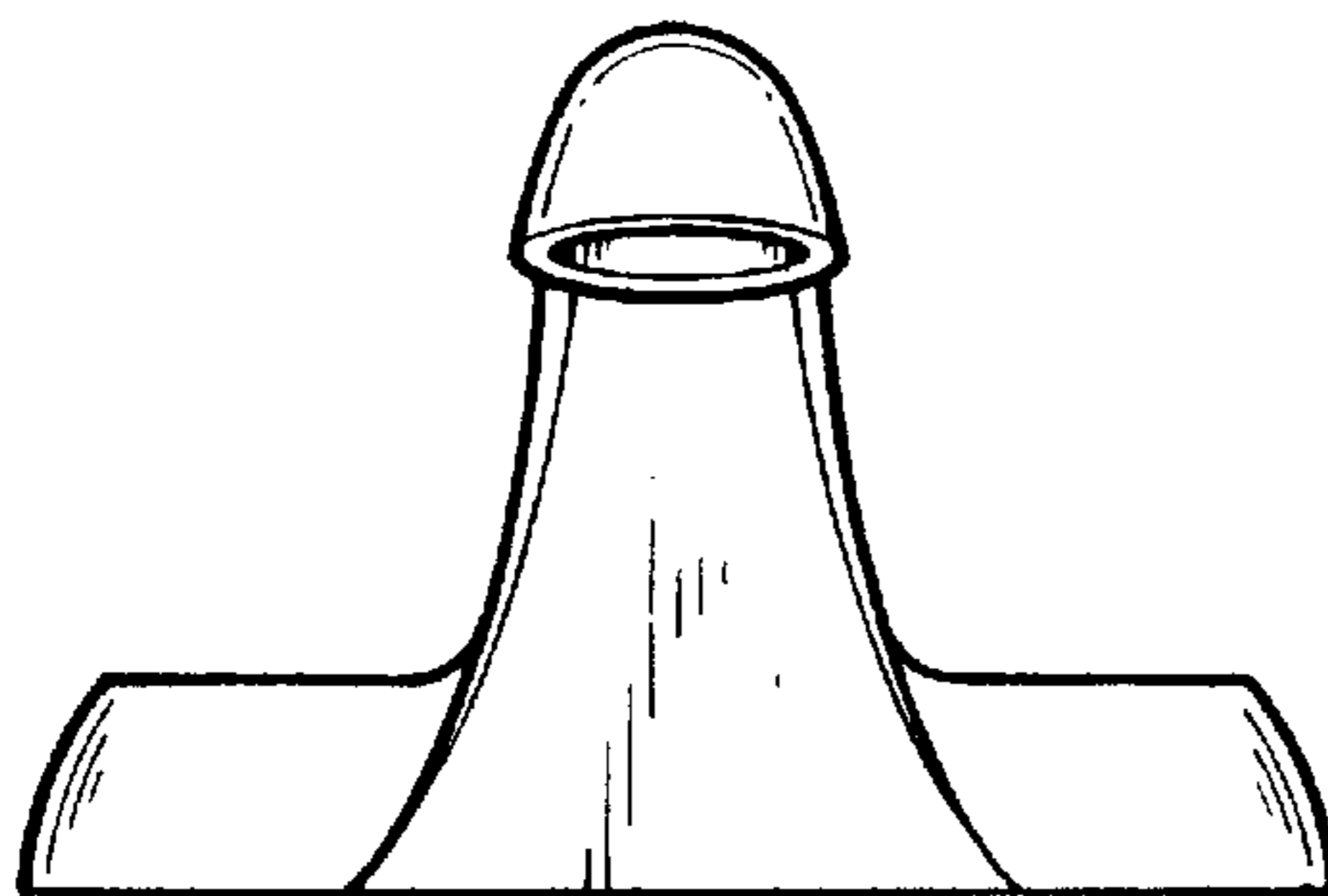


FIG. 5

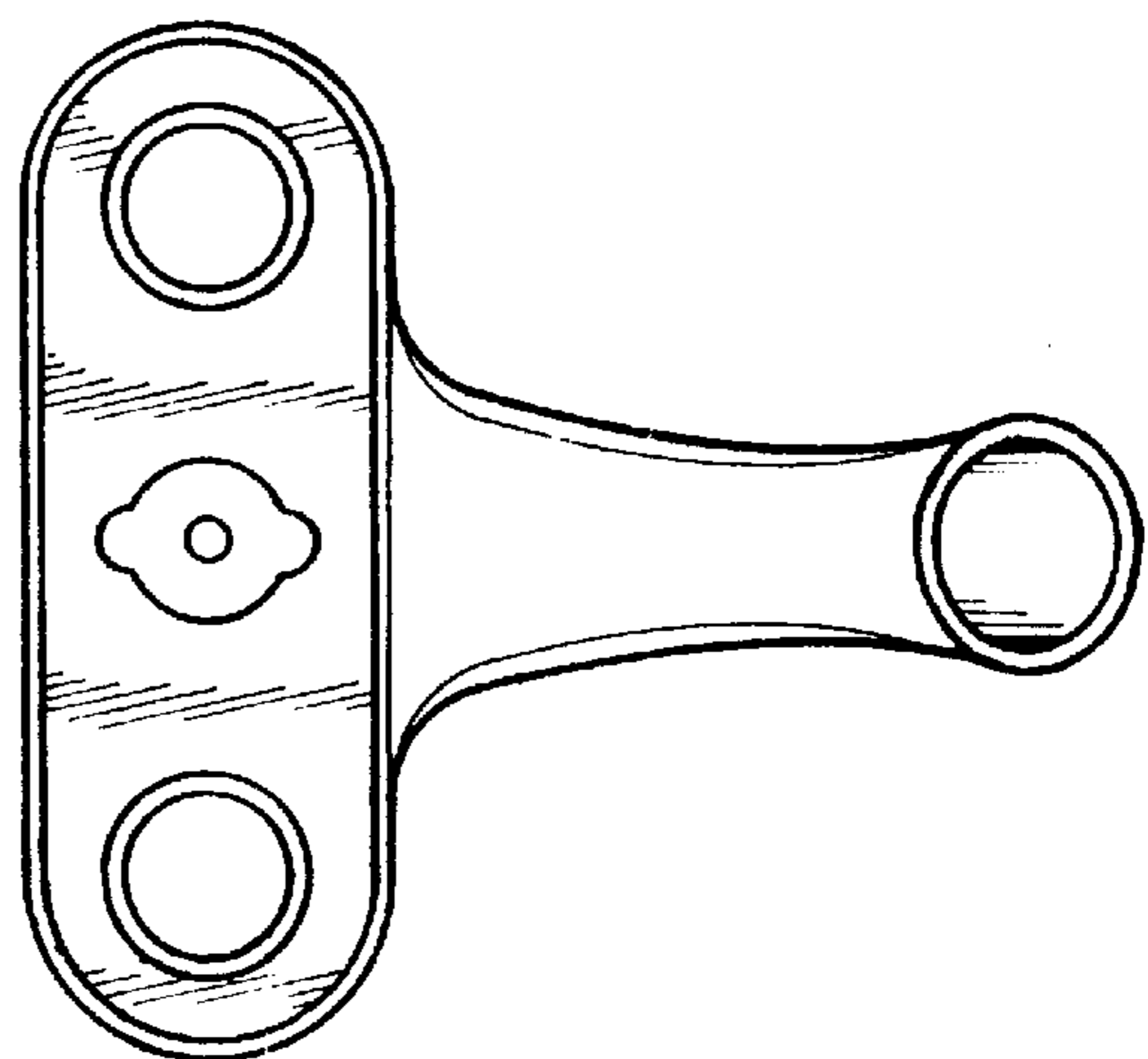


FIG. 6