



US00D427665S

United States Patent [19]

Fabian et al.

[11] Patent Number: **Des. 427,665**

[45] Date of Patent: **** Jul. 4, 2000**

[54] FAUCET HANDLE

[75] Inventors: **Wolfgang Fabian**, Mannheim, Germany; **John Hyde**, Flemington, N.J.; **Albert Becker**, Wittlich-Lüxem, Germany

[73] Assignee: **American Standard Inc.**, Piscataway, N.J.

[**] Term: **14 Years**

[21] Appl. No.: **29/087,652**

[22] Filed: **May 7, 1998**

Related U.S. Application Data

[62] Division of application No. 29/062,178, Nov. 8, 1996.

[51] **LOC (7) Cl.** **23-02**

[52] **U.S. Cl.** **D23/252**

[58] **Field of Search** D23/238-243,
D23/250-257; D8/300-308; 4/675-678;
16/110 R-121

[56] References Cited

U.S. PATENT DOCUMENTS

D. 254,088 1/1980 Hong D23/252

D. 291,238 8/1987 Hong et al. D23/252
D. 297,257 8/1988 Kosler, Jr. et al. D23/252
D. 297,357 8/1988 Spangler D23/252
D. 328,139 7/1992 Roppert D23/252

Primary Examiner—Louis S. Zarfes
Assistant Examiner—Eric Watterson

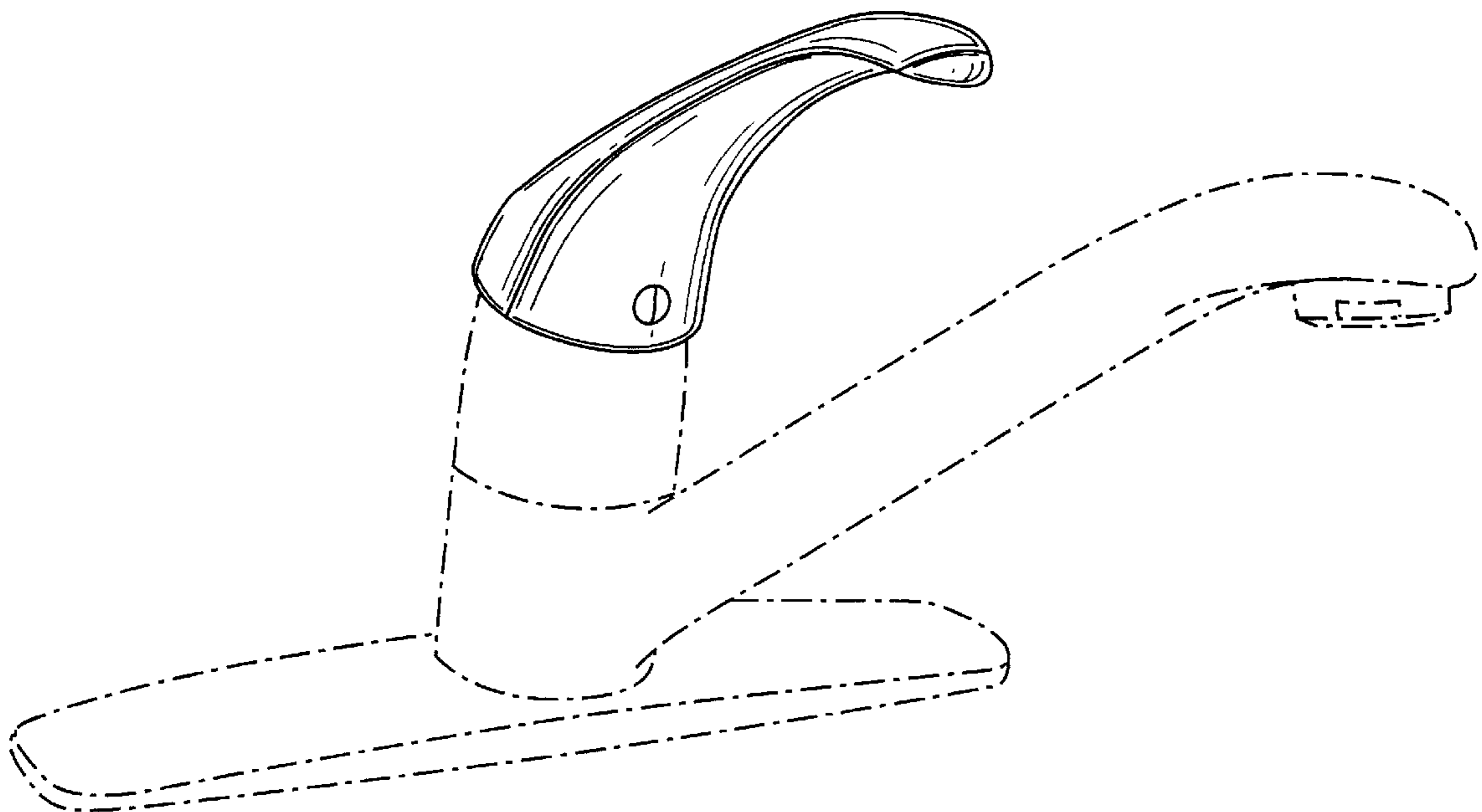
[57] CLAIM

The ornamental design for a faucet handle, as shown and described.

DESCRIPTION

FIG. 1 is a perspective view of a fitting showing another embodiment of my new design;
FIG. 2 is a rear elevational view of the fitting shown in FIG. 1;
FIG. 3 is a front elevational view of the fitting shown in FIG. 1;
FIG. 4 is a right side elevational view of the fitting shown in FIG. 1, the left side view being a mirror image of the right side;
FIG. 5 is a bottom plan view of the fitting shown in FIG. 1; and,
FIG. 6 is a top plan view of the fitting shown in FIG. 1.
The broken line showing is for illustrative purposes only and forms no part of the claimed design.

1 Claim, 2 Drawing Sheets



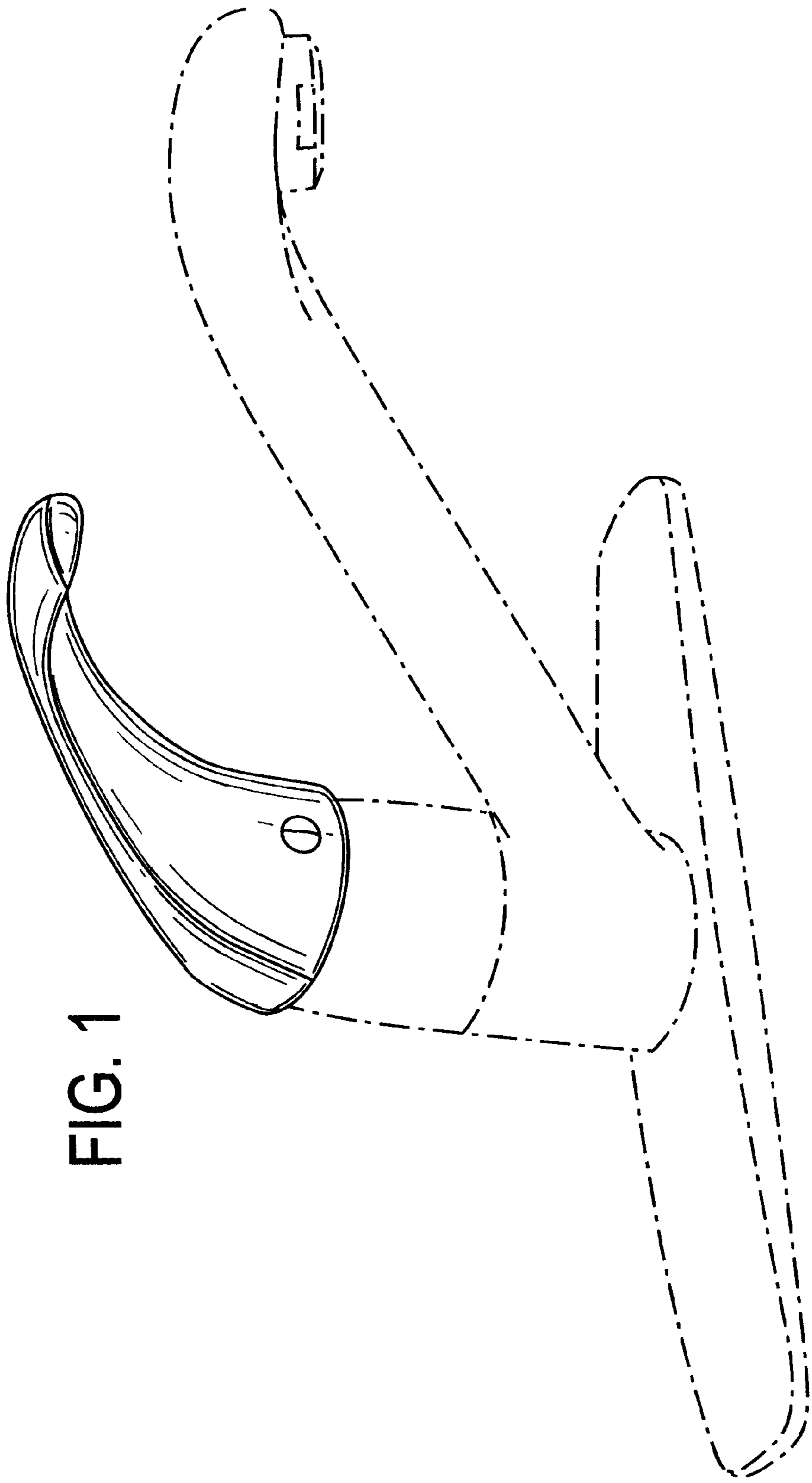


FIG. 1

FIG. 2

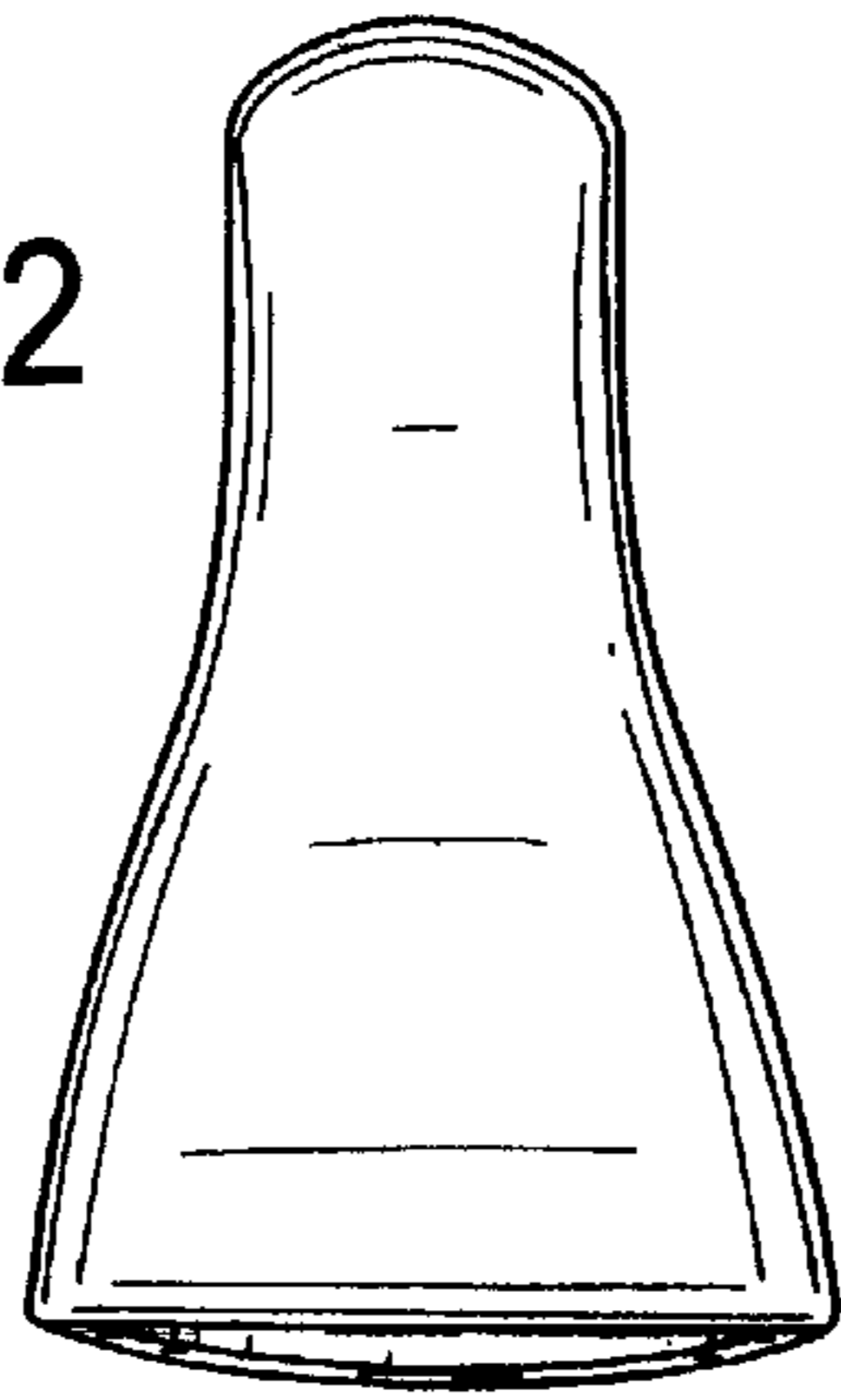


FIG. 3

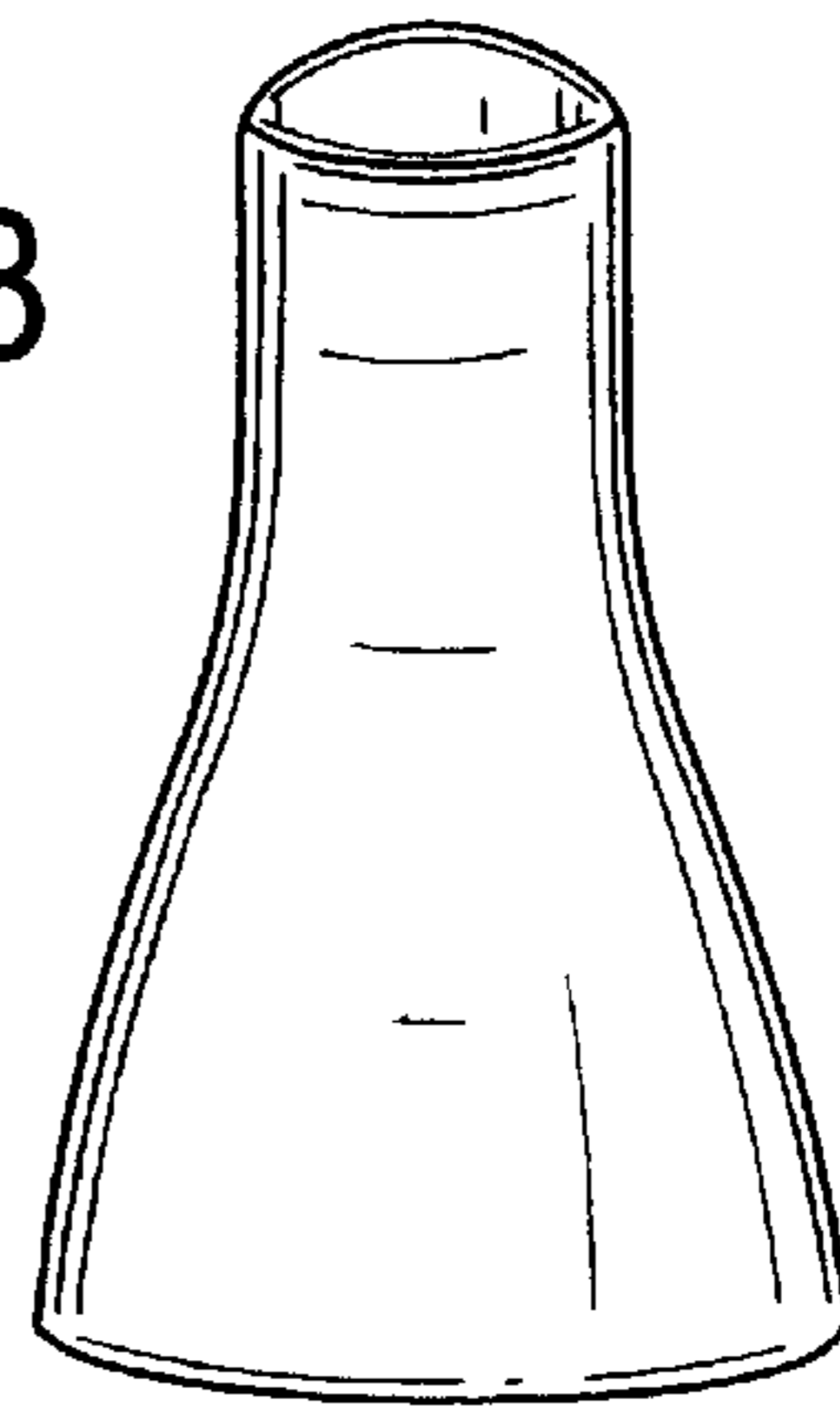


FIG. 4

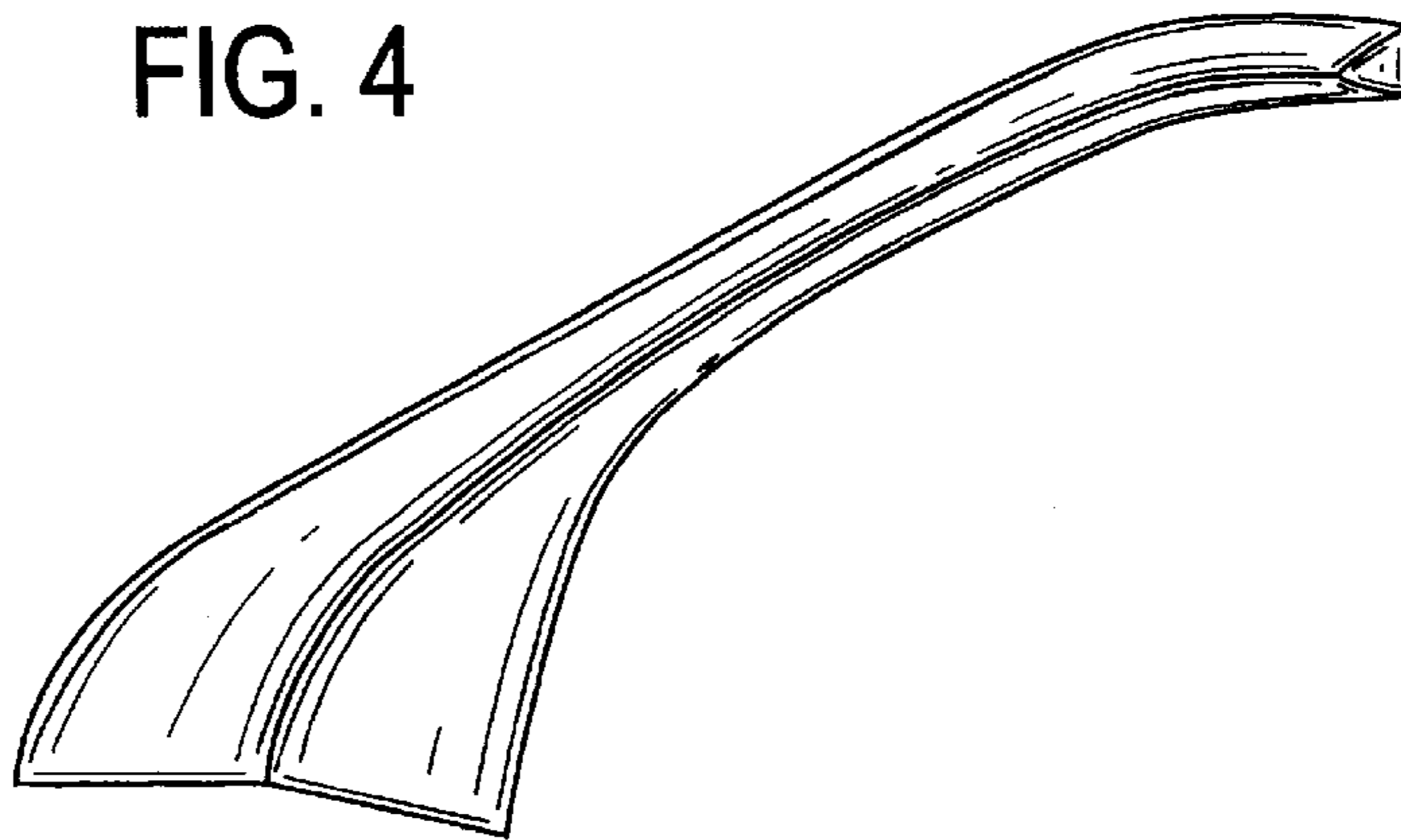


FIG. 5

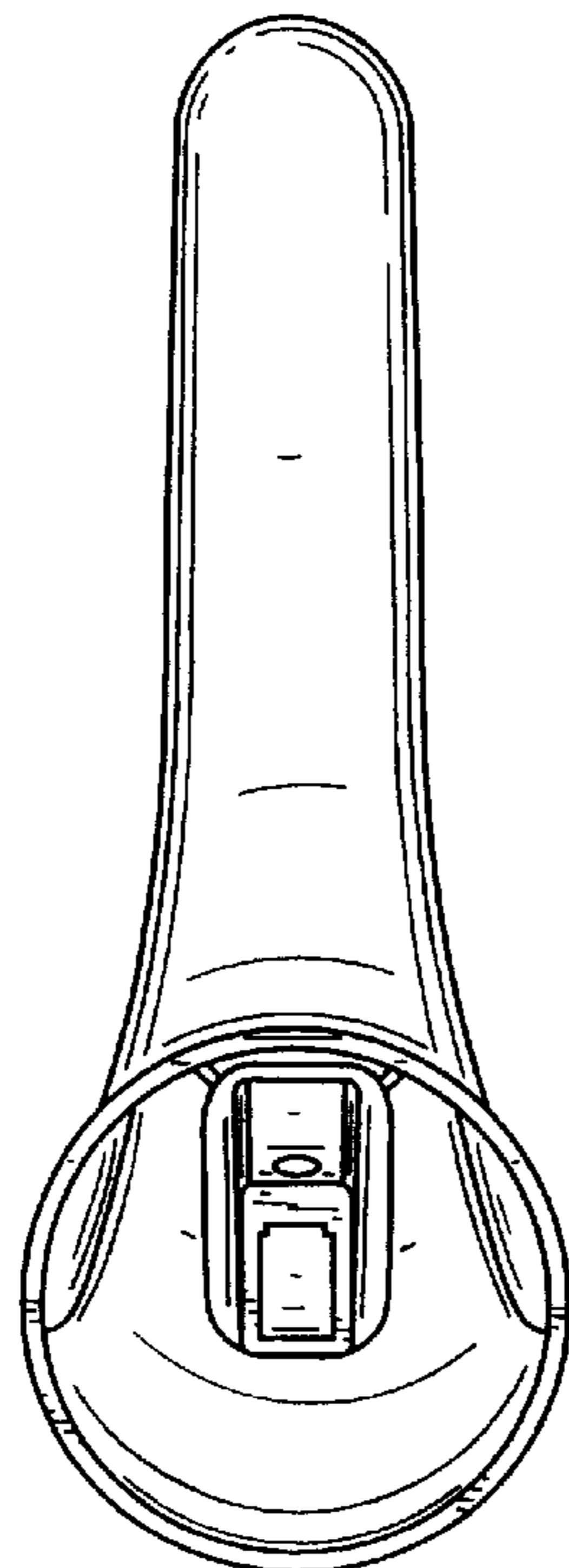


FIG. 6

