



US00D427664S

United States Patent [19]

Yano et al.

[11] Patent Number: Des. 427,664

[45] Date of Patent: ** Jul. 4, 2000

[54] EXPANSION VALVE

[75] Inventors: Masamichi Yano; Kazuhiko Watanabe, both of Tokyo, Japan

[73] Assignee: Fujikoki Corporation, Tokyo, Japan

[**] Term: 14 Years

[21] Appl. No.: 29/100,064

[22] Filed: Feb. 3, 1999

[30] Foreign Application Priority Data

Aug. 7, 1998	[JP]	Japan	10-22615
Aug. 7, 1998	[JP]	Japan	10-22616

[51] LOC (7) Cl. 23-01

[52] U.S. Cl. D23/233

[58] Field of Search D23/233-237, D23/244; 137/884, 625.48

[56] References Cited

U.S. PATENT DOCUMENTS

D. 379,844	6/1997	Itafuji	D23/233
3,384,115	5/1968	Drazan et al.	251/30.01
5,709,247	1/1998	Hutton	137/884
5,915,409	6/1999	Kaneko et al.	137/884
5,927,337	7/1999	LaMantia	137/884

Primary Examiner—Robin V. Taylor

Attorney, Agent, or Firm—Armstrong, Westerman, Hattori, McLeland & Naughton

[57] CLAIM

The ornamental design for an expansion valve, as shown and described.

DESCRIPTION

FIG. 1 is a perspective view taken from the front right of a first embodiment of an expansion valve showing my new ornamental design;

FIG. 2 is a perspective view taken from the front left thereof;

FIG. 3 is a front side view thereof;

FIG. 4 is a right side view thereof;

FIG. 5 is a top view thereof;

FIG. 6 is a bottom view thereof;

FIG. 7 is a left side view thereof;

FIG. 8 is a rear view thereof;

FIG. 9 is a perspective view taken from the front right of a second embodiment of the expansion valve;

FIG. 10 is a perspective view taken from the rear left thereof;

FIG. 11 is a front side view thereof;

FIG. 12 is a right side view thereof;

FIG. 13 is a top side view thereof;

FIG. 14 is a bottom side view thereof;

FIG. 15 is a left side view thereof; and,

FIG. 16 is a rear side view thereof.

1 Claim, 6 Drawing Sheets

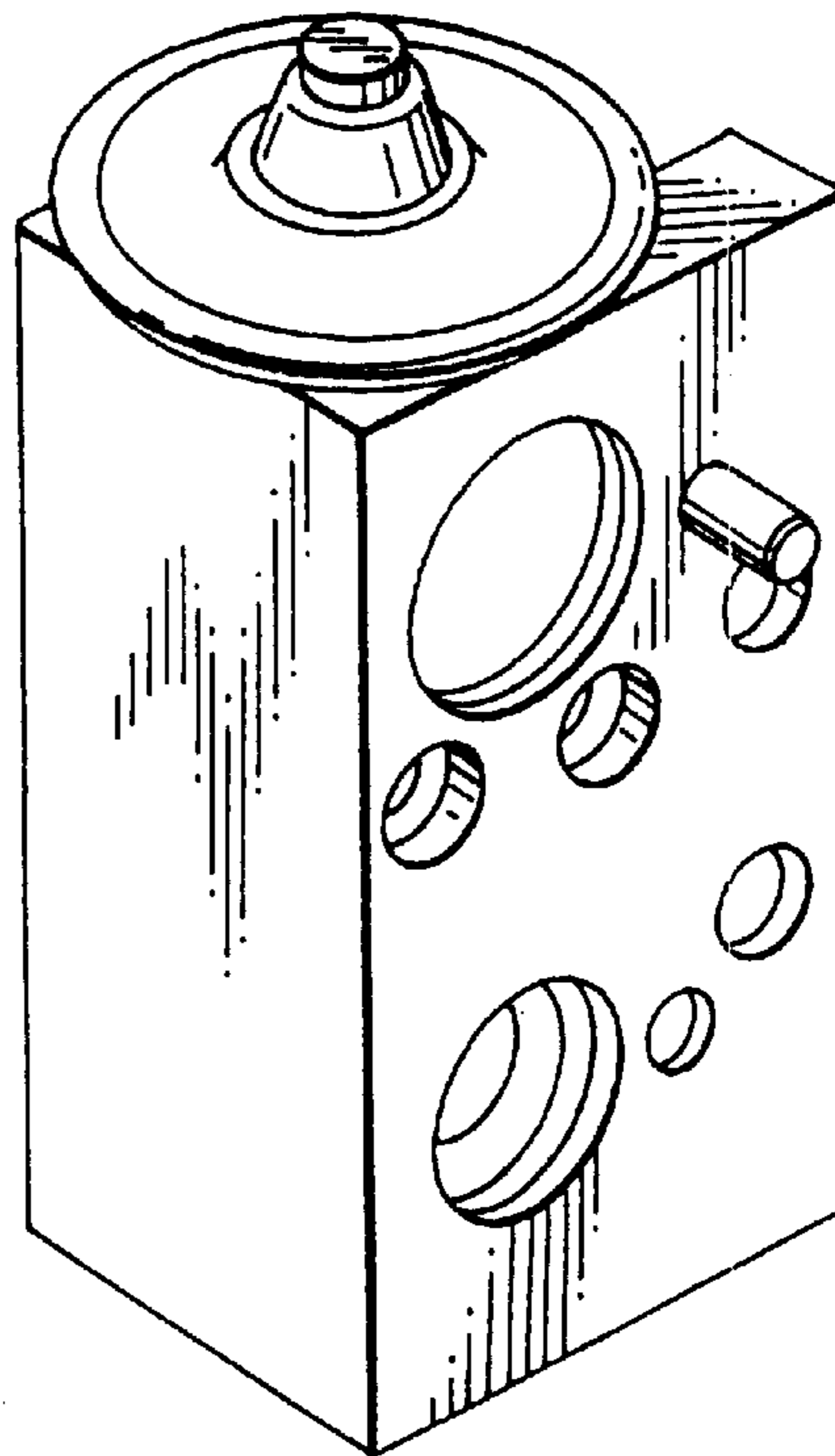
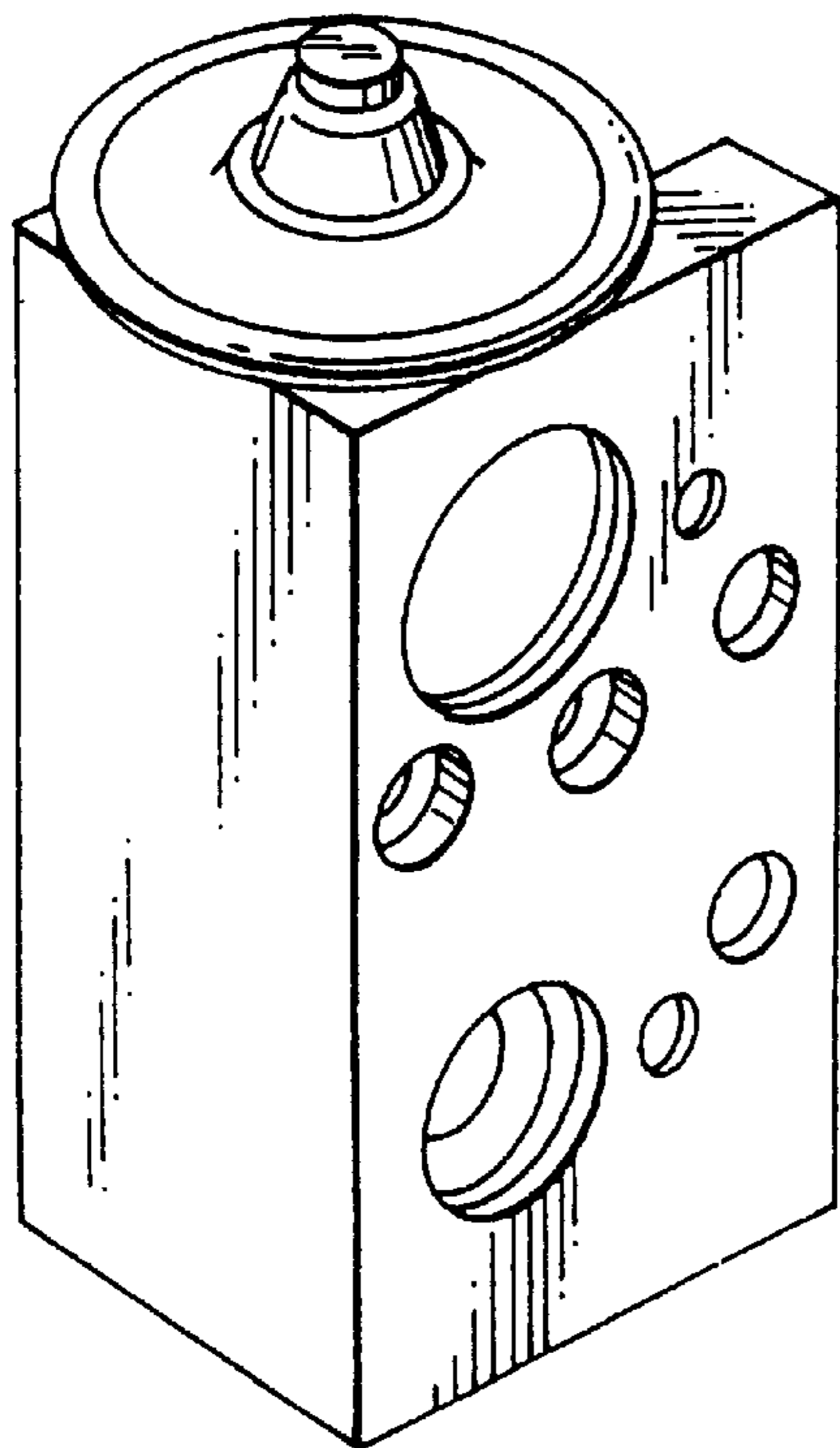


FIG. 1

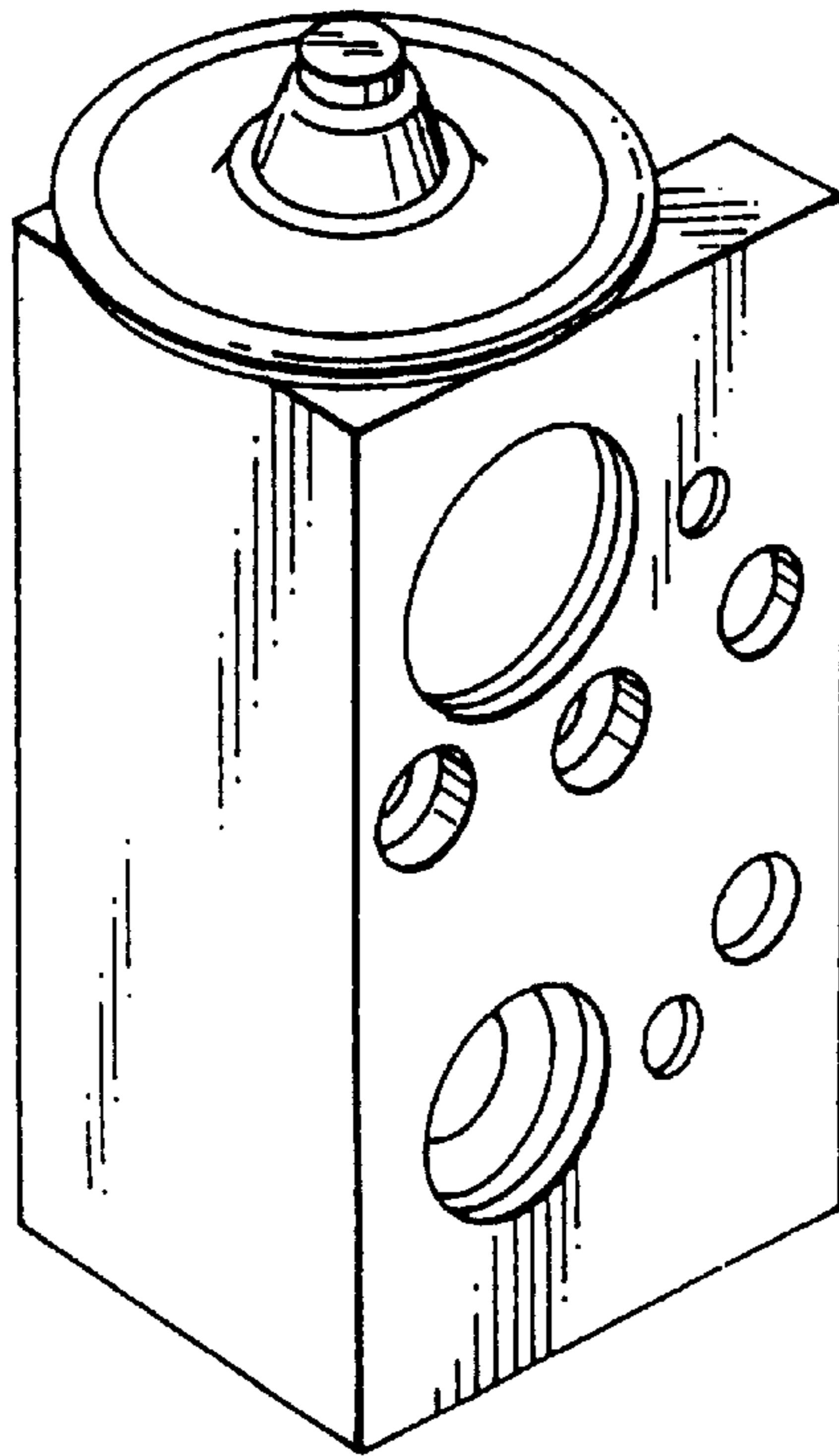


FIG. 2

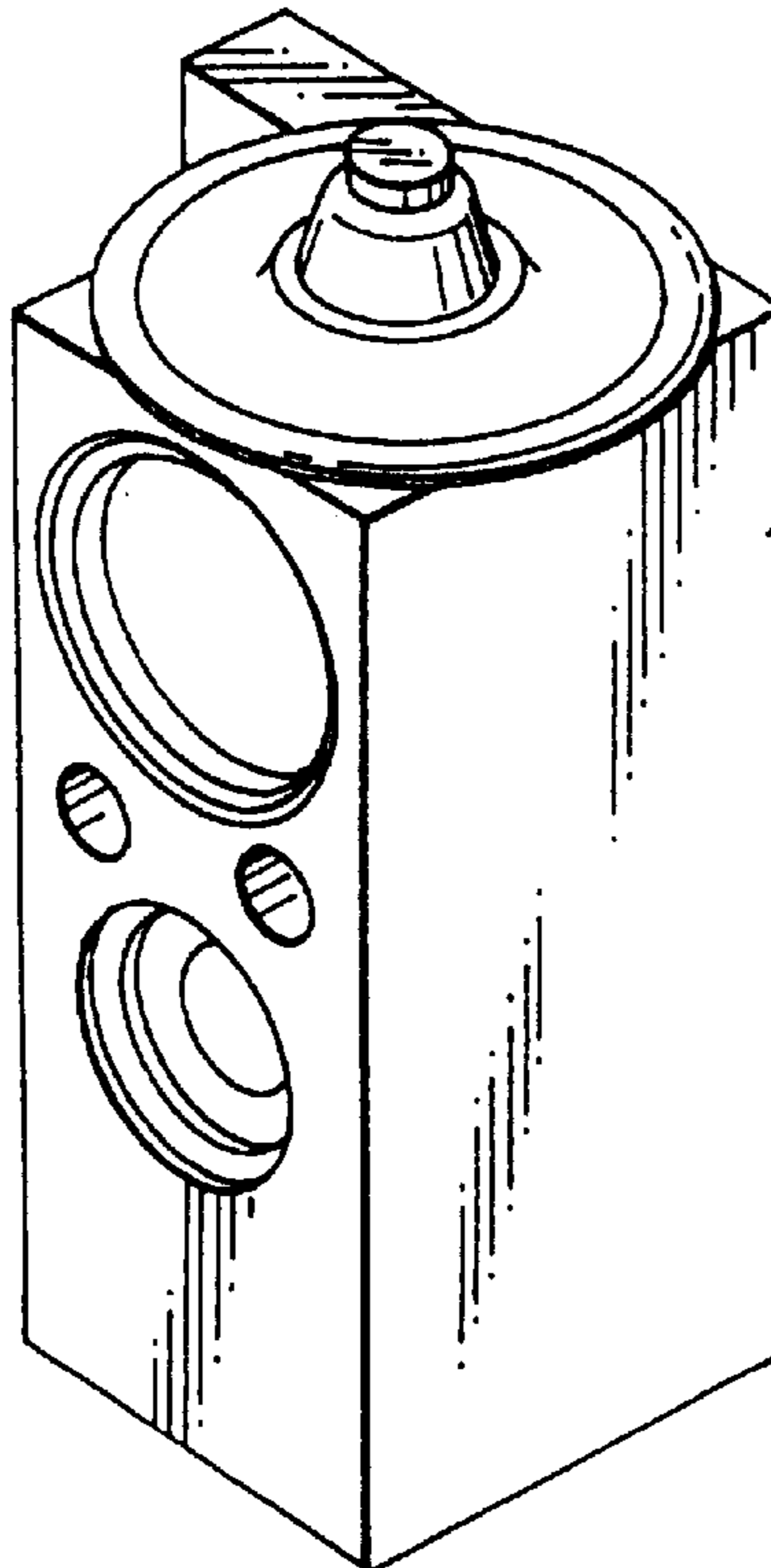


FIG. 3

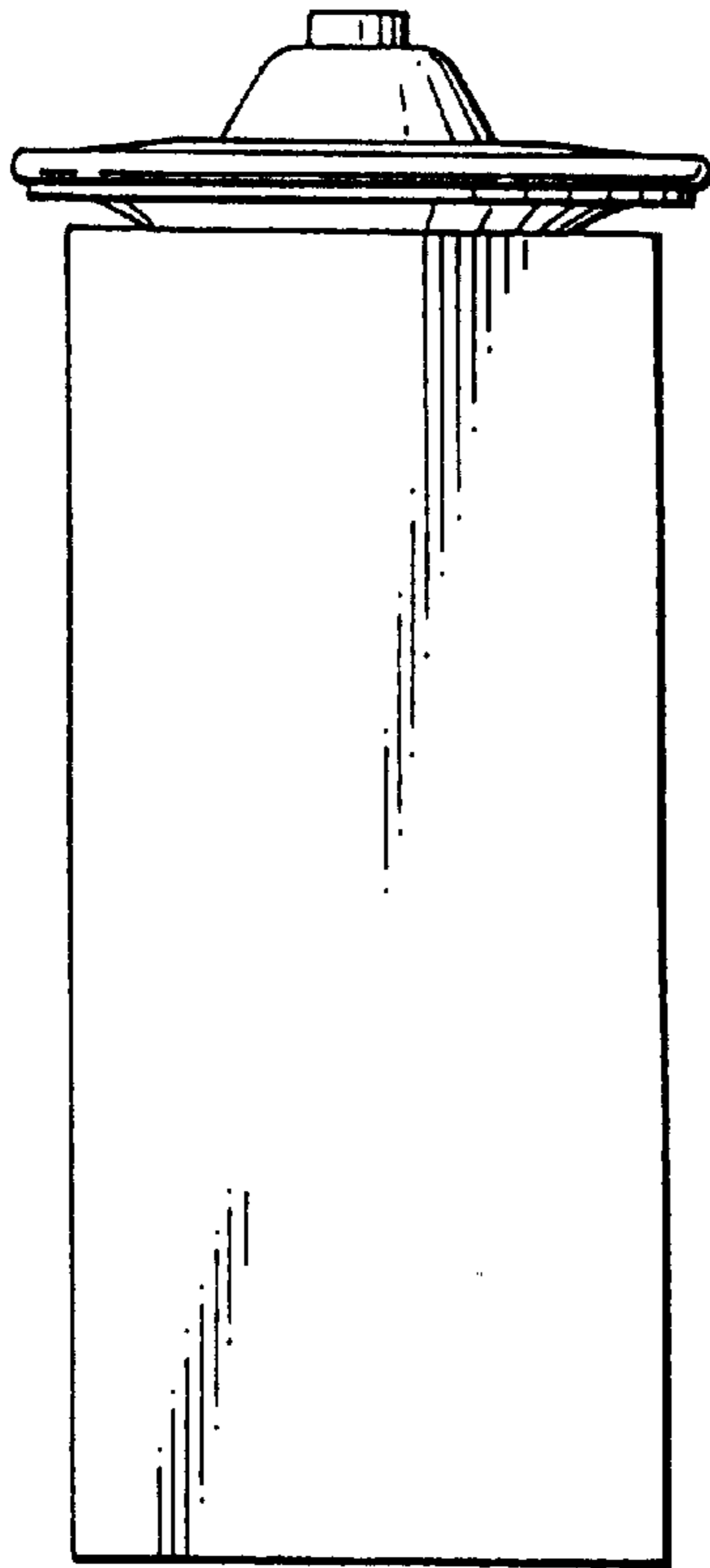


FIG. 4

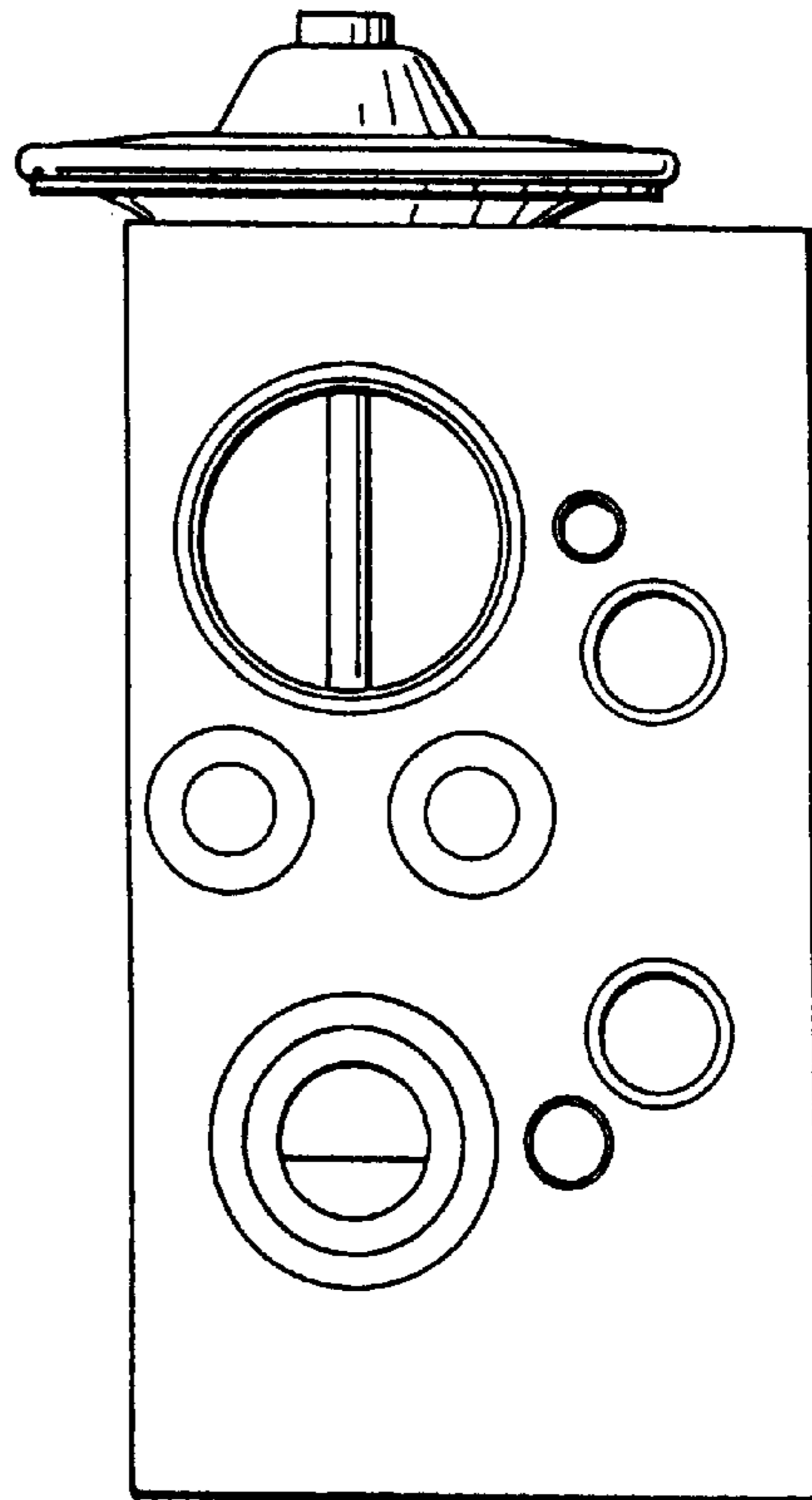


FIG. 5

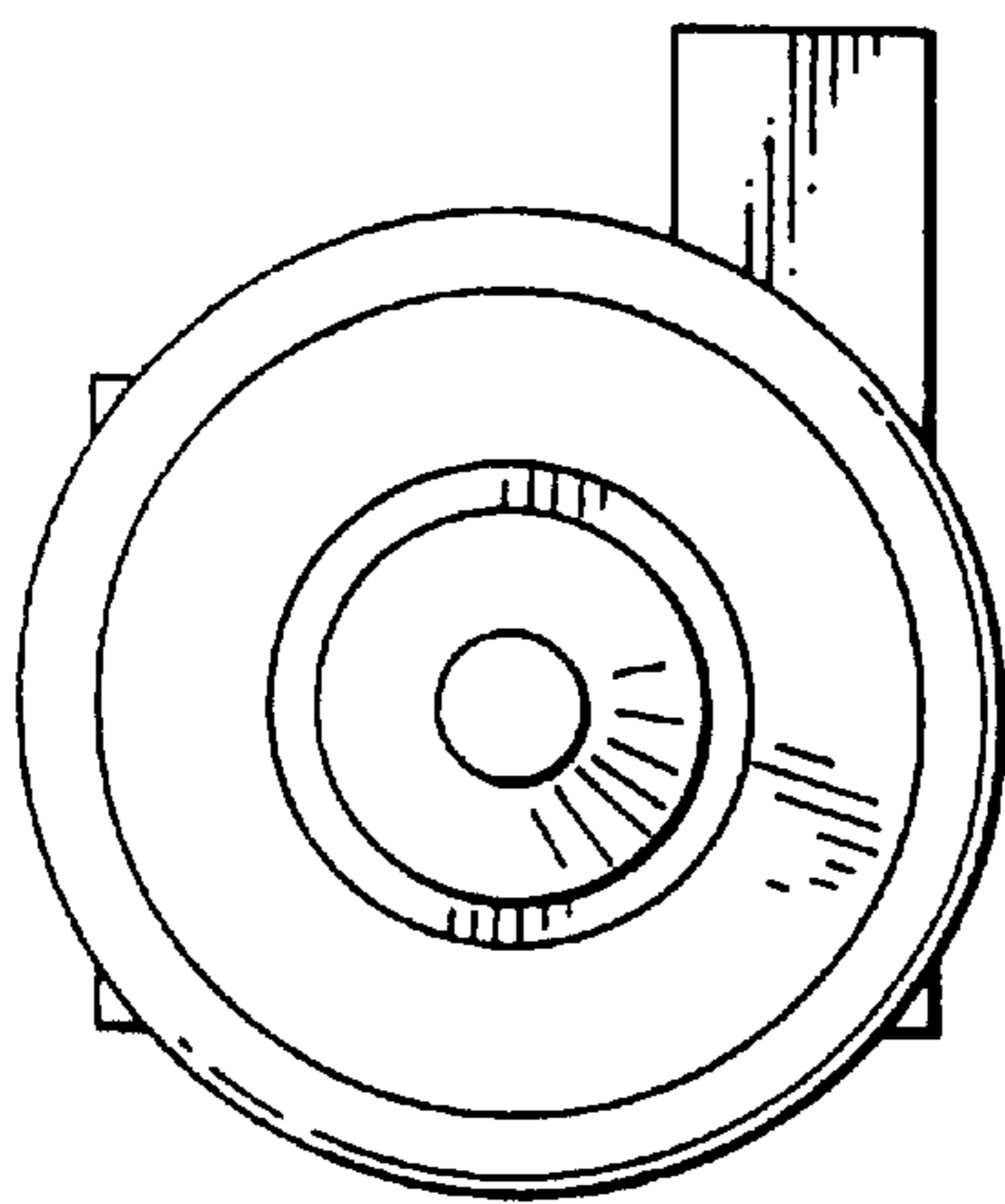


FIG. 6

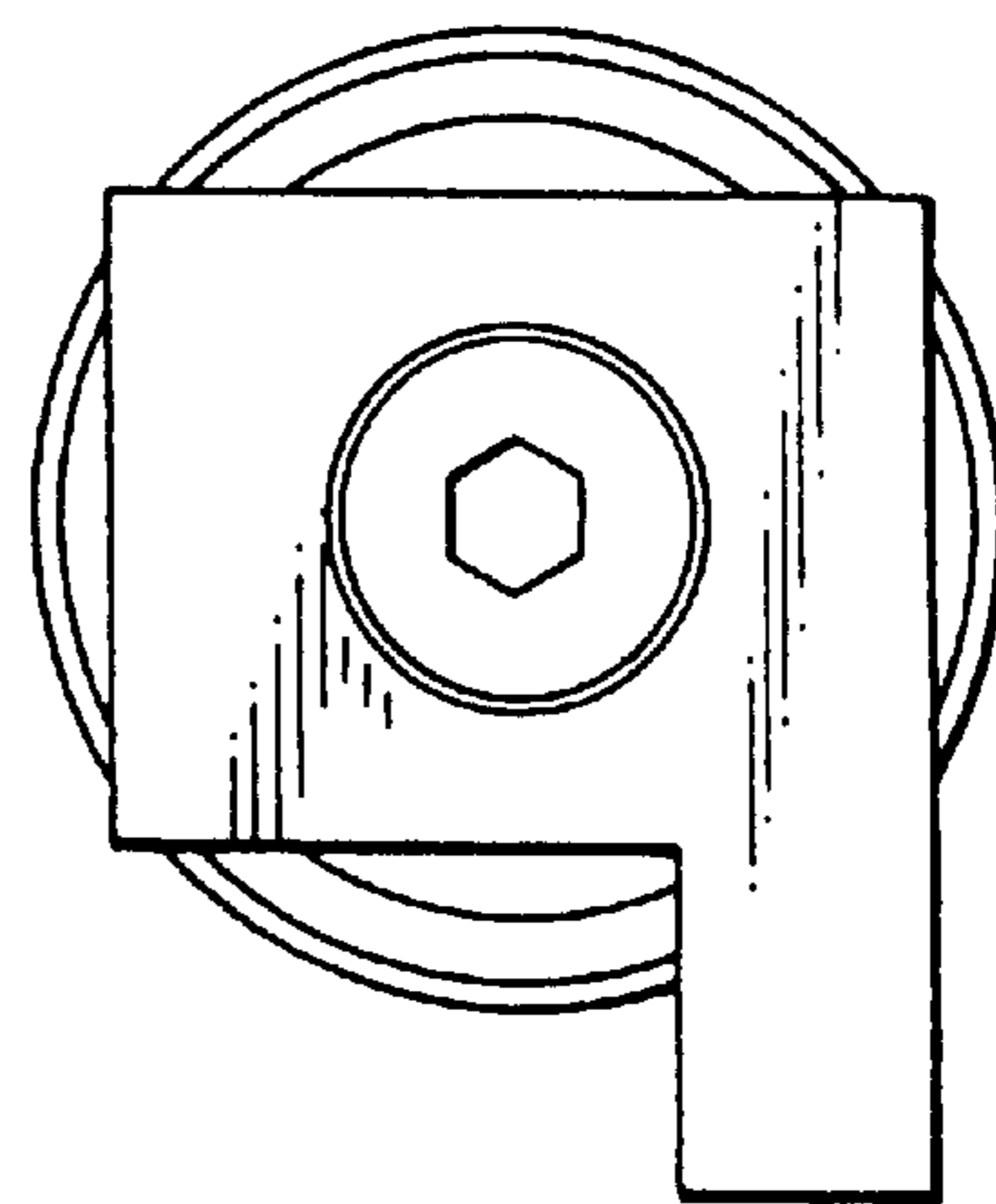


FIG. 7

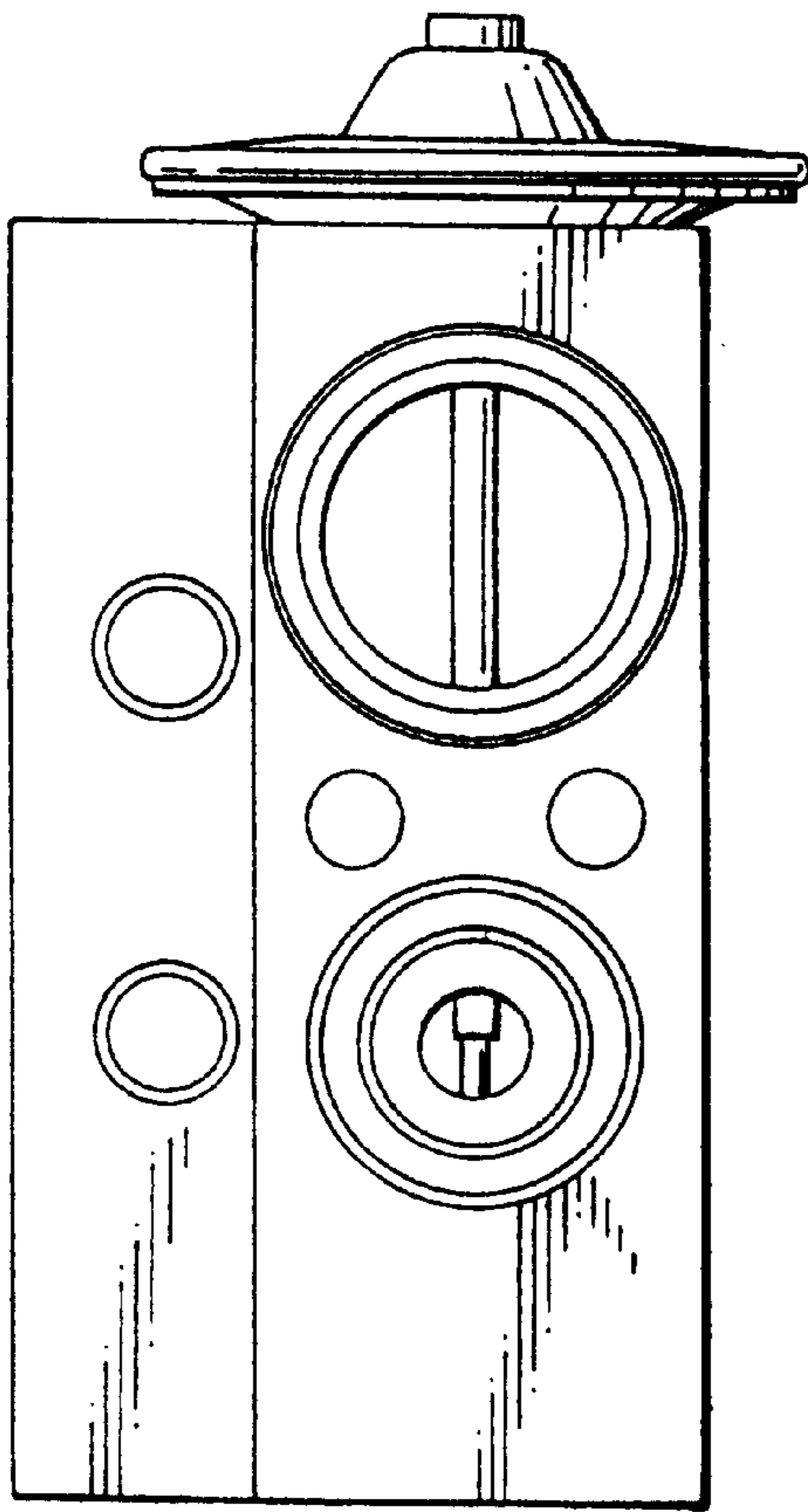


FIG. 8

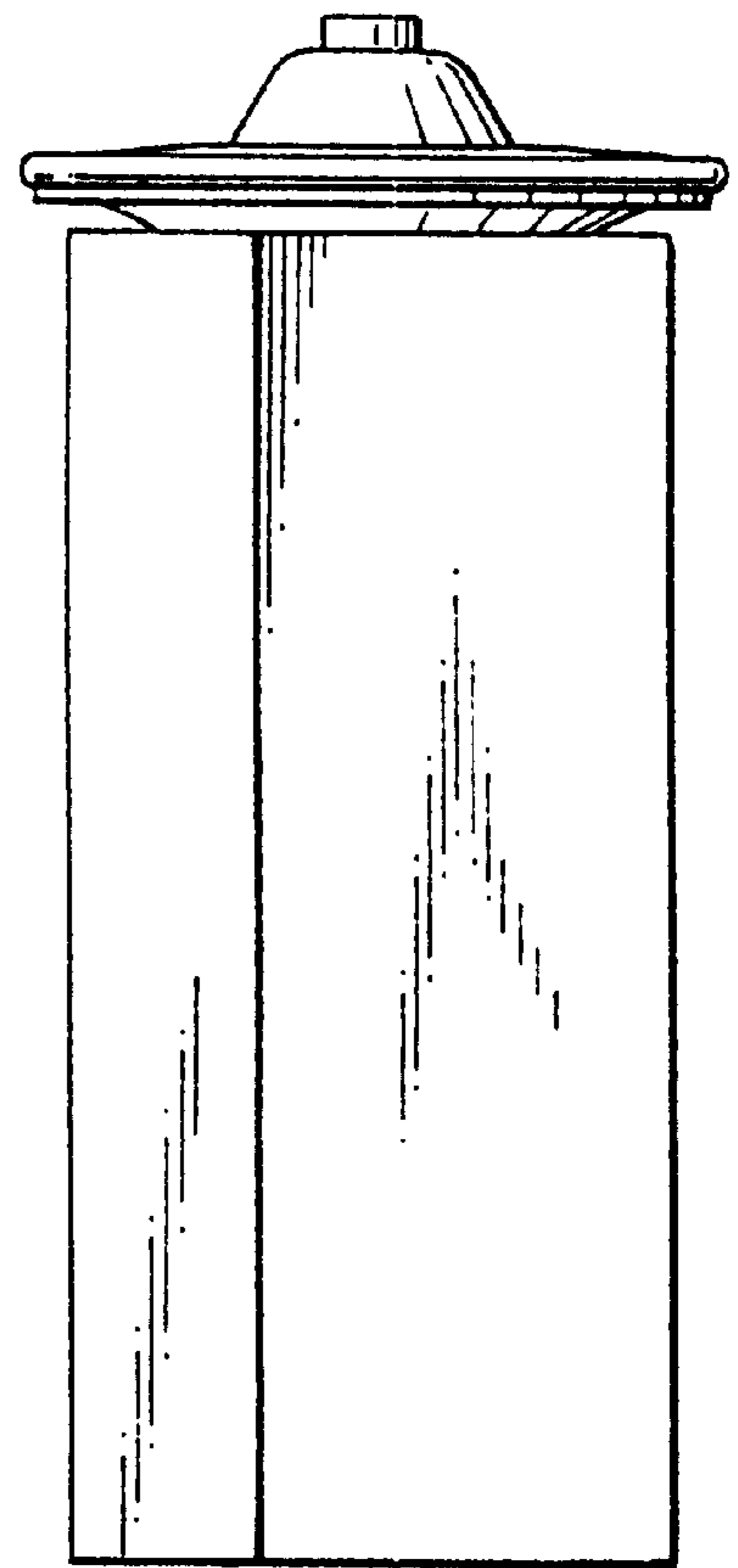


FIG. 9

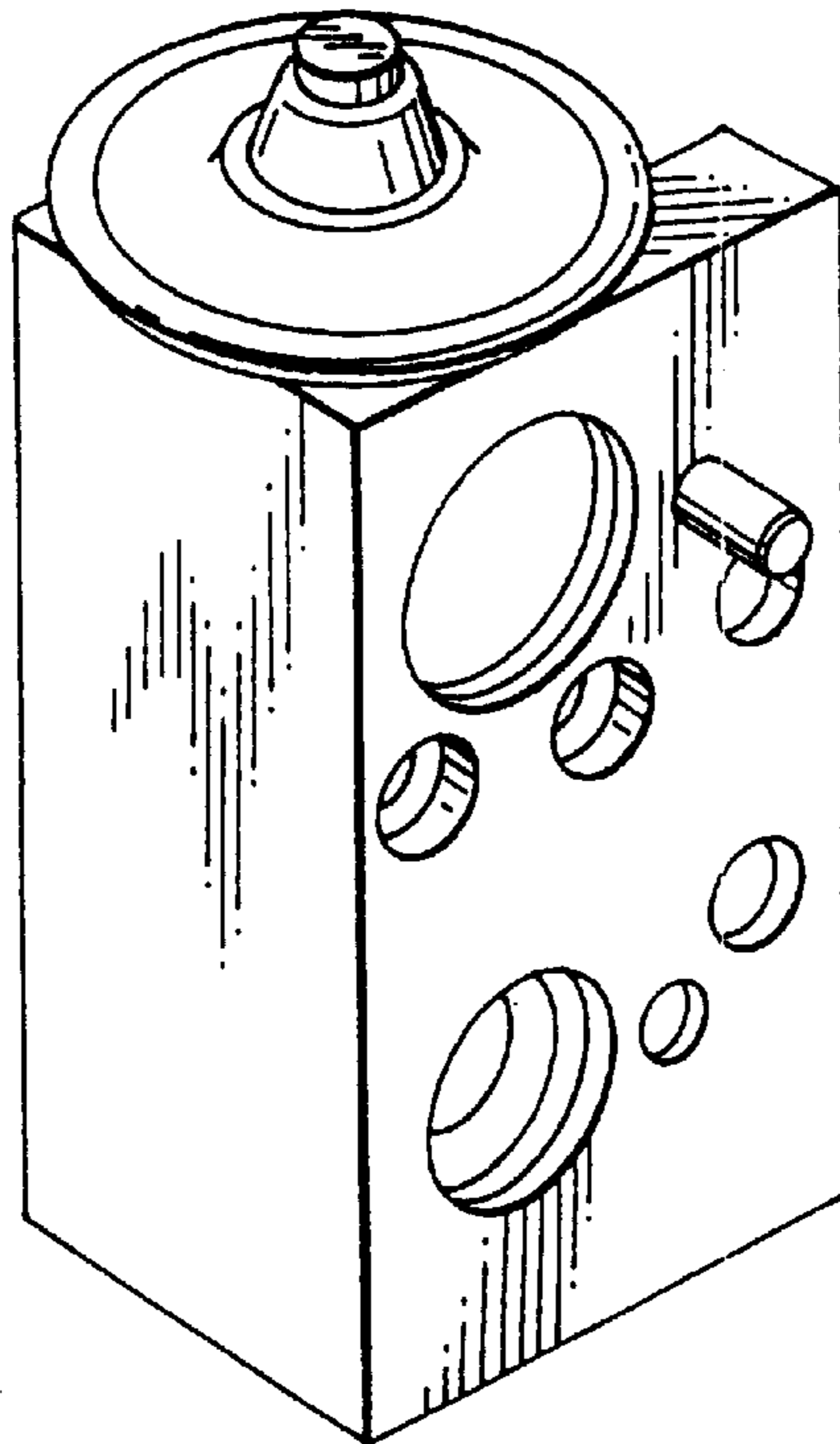


FIG. 10

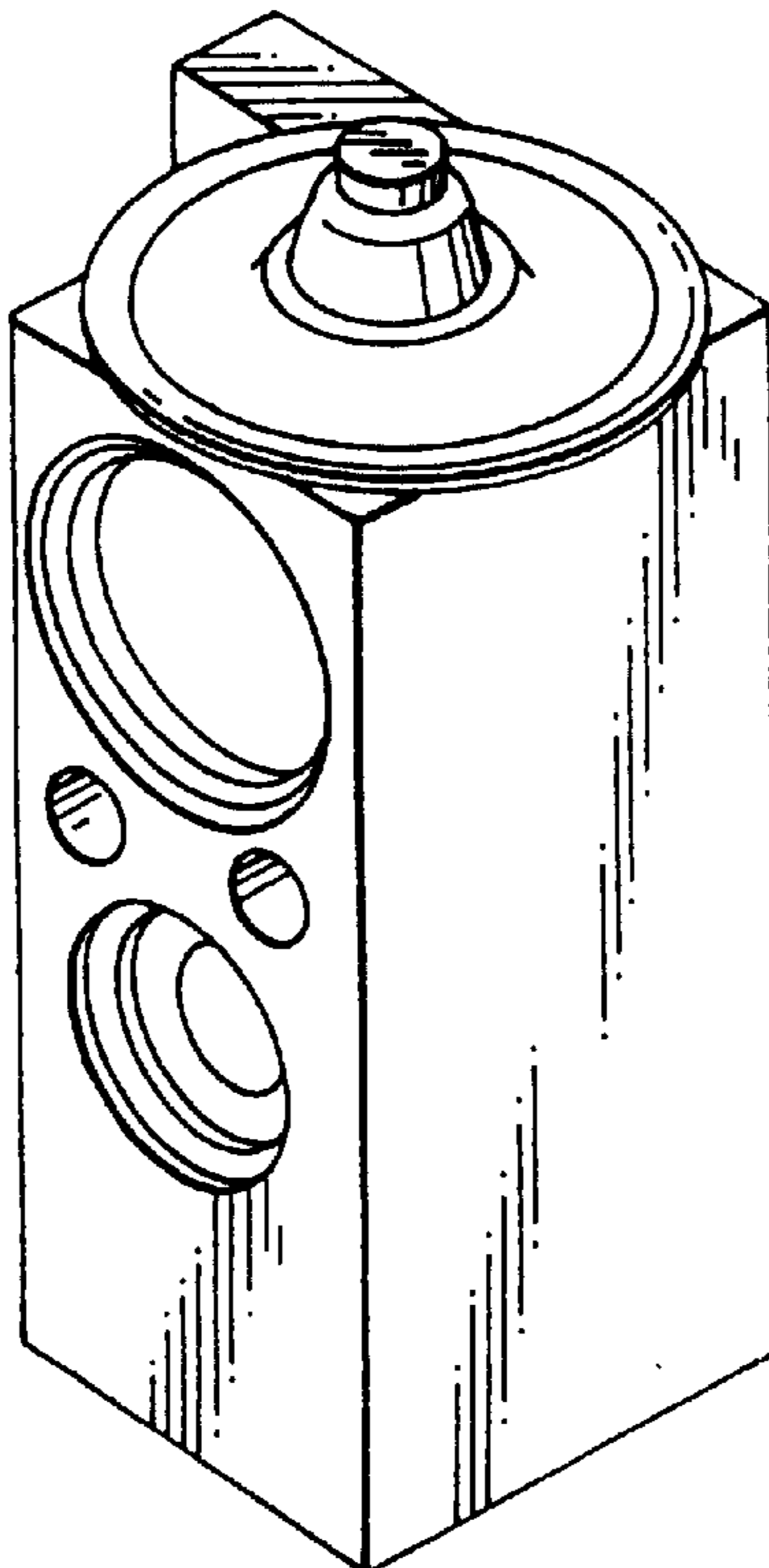


FIG. 11



FIG. 12

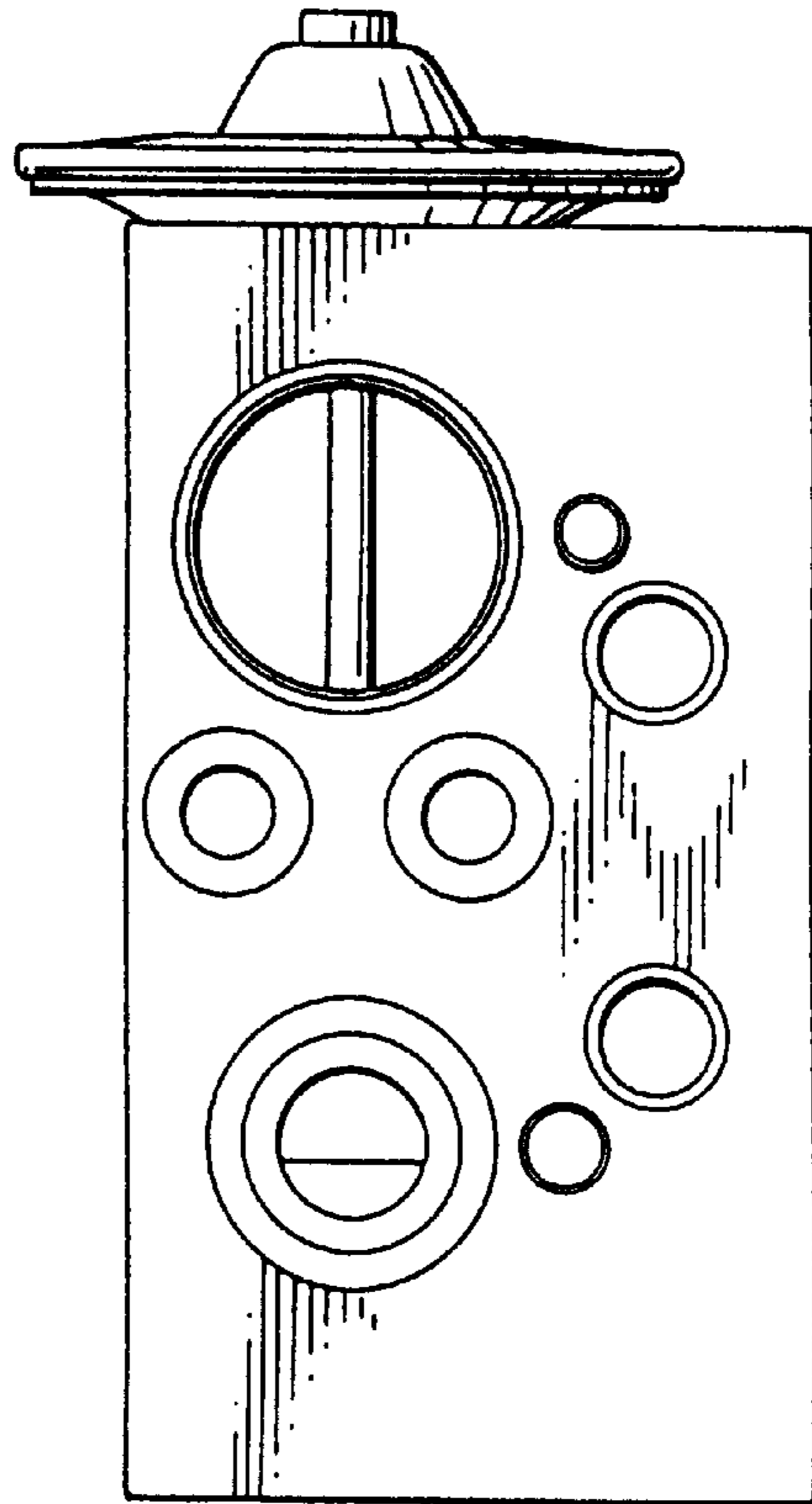


FIG. 13

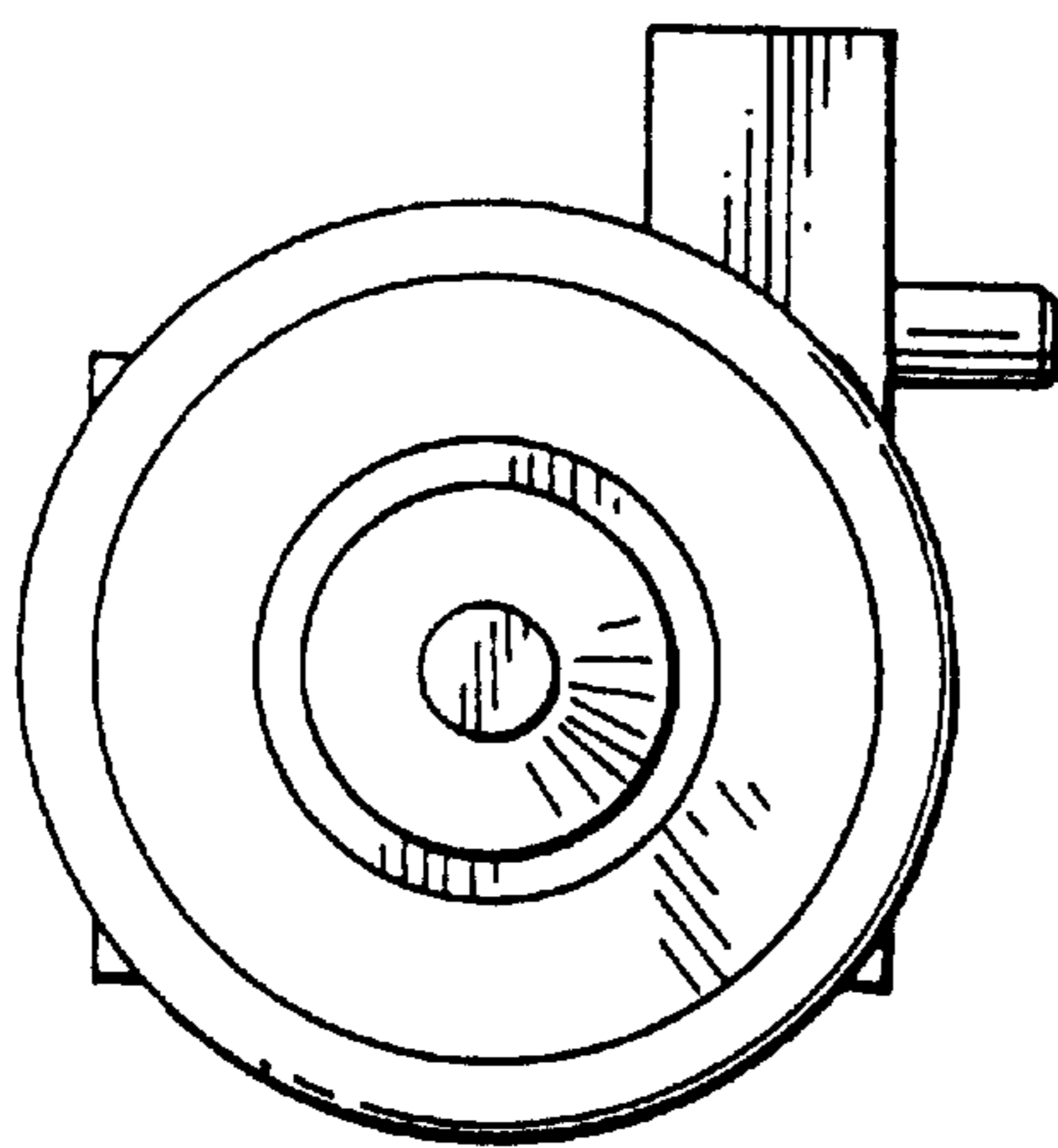


FIG. 14

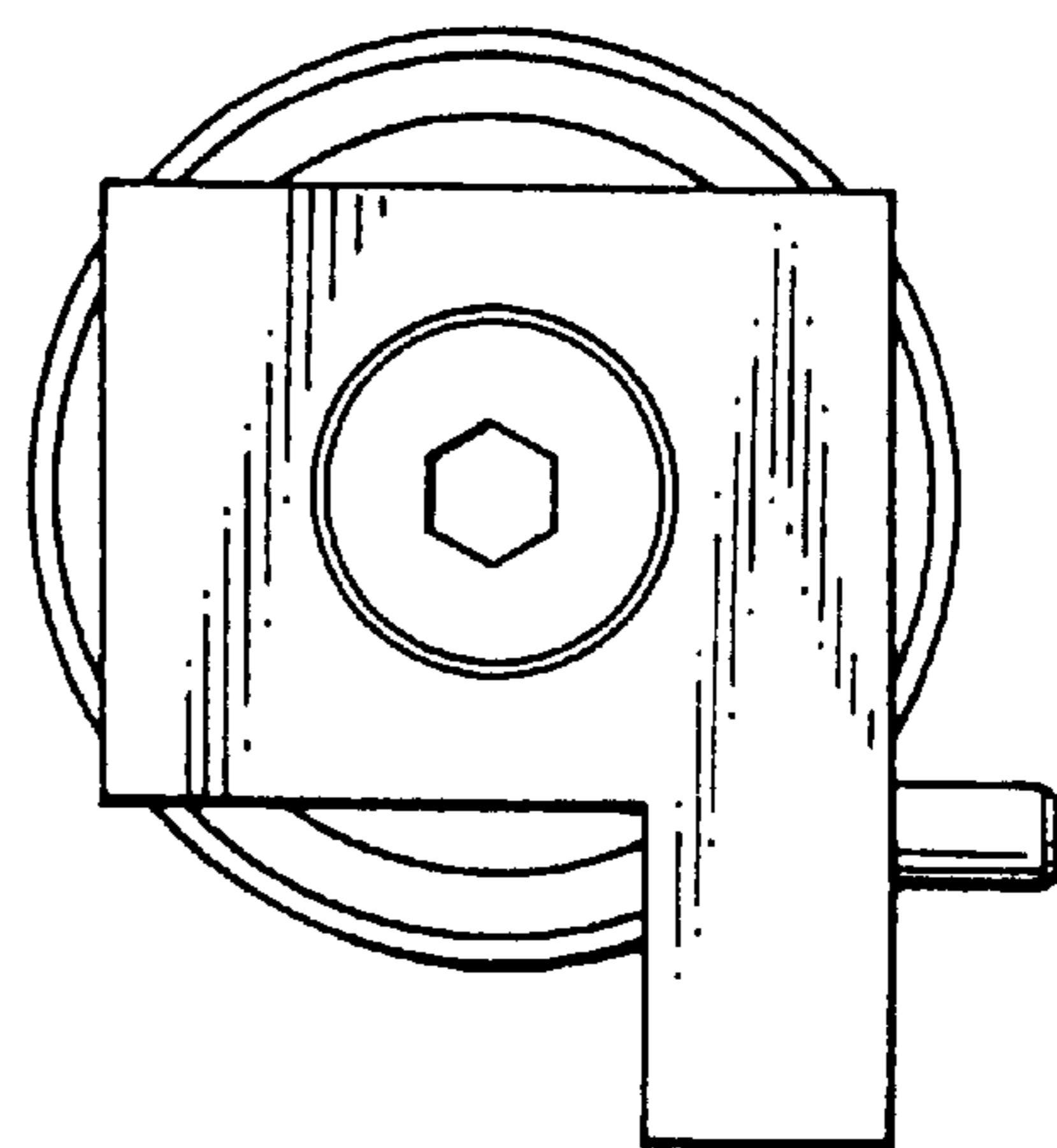


FIG. 15

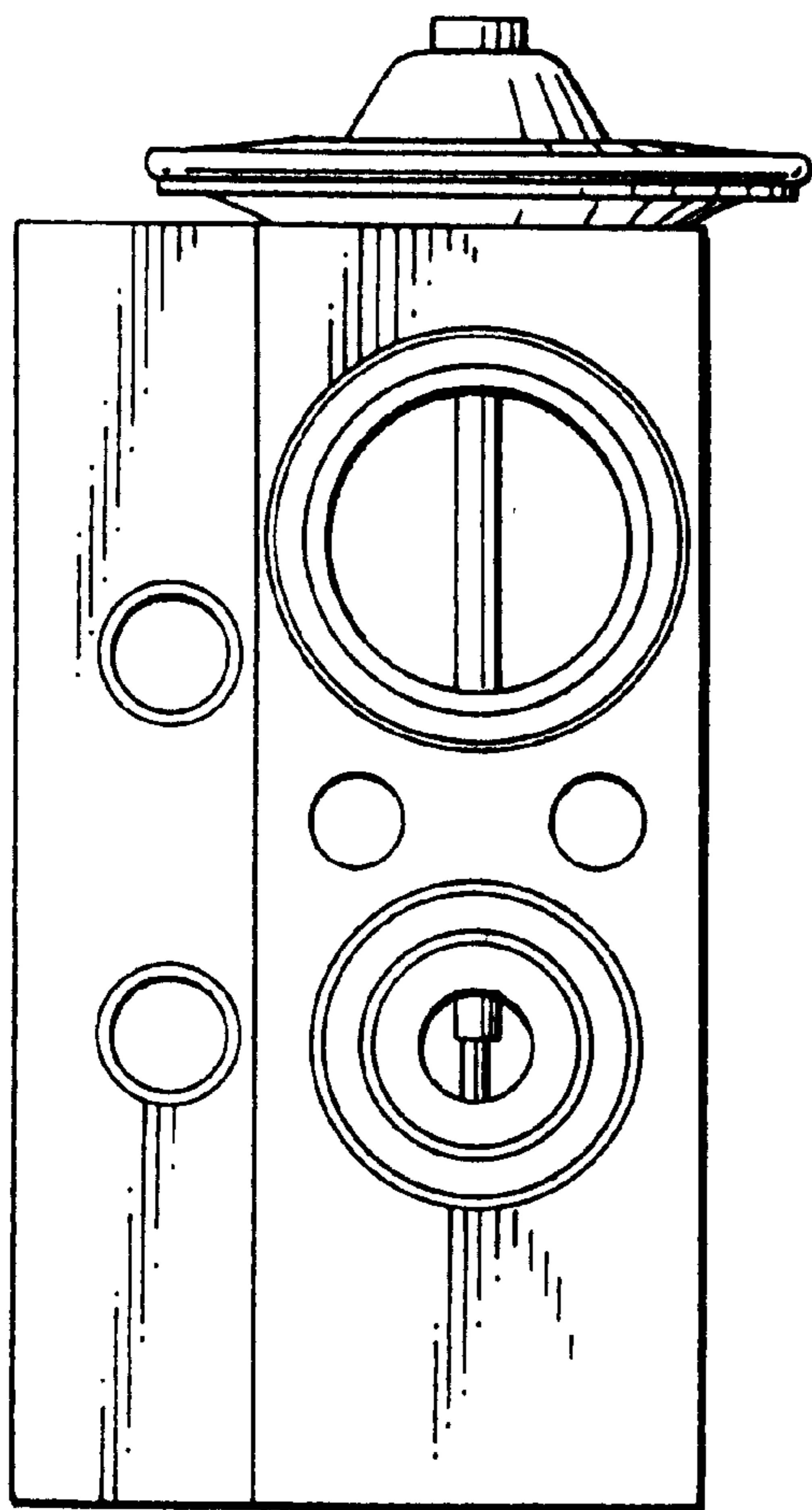


FIG. 16

