



US00D427659S

# United States Patent [19]

[11] **Patent Number: Des. 427,659**

**Lewis**

[45] **Date of Patent: \*\* Jul. 4, 2000**

[54] **FISHING LINE FASTENING TOOL**

*Attorney, Agent, or Firm—Lee G. Meyer*

[76] Inventor: **Scott Gordon Lewis**, 544 Apollo Ct.,  
Littleton, Colo. 80124

[57] **CLAIM**

[\*\*] Term: **14 Years**

The ornamental design for fishing line fastening tool, as shown and described.

[21] Appl. No.: **29/093,125**

### DESCRIPTION

[22] Filed: **Sep. 3, 1998**

FIG. 1 is a right side perspective view of the fishing line fastening tool showing the crimping heads in the open position.

[51] **LOC (7) Cl. .... 22-05**

[52] **U.S. Cl. .... D22/150**

FIG. 2 is a left side view of the fishing line fastening tool showing the crimping heads in the closed position

[58] **Field of Search .... D22/134, 143,  
D22/149, 150, 199; D8/41, 40, 39; 30/416**

FIG. 3 is a top view of the fishing line fastening tool showing the crimping heads in the open position

### [56] **References Cited**

#### U.S. PATENT DOCUMENTS

D. 204,492	4/1966	Baily .....	D8/52
D. 272,035	1/1984	McMillin .....	D8/58
2,940,343	6/1960	Hindenburg .....	D8/52
3,336,666	8/1967	Calkin .....	D8/52
4,559,853	12/1985	Oye .....	D22/150

FIG. 4 is a bottom view of the fishing line fastening tool showing the crimping heads in the open position

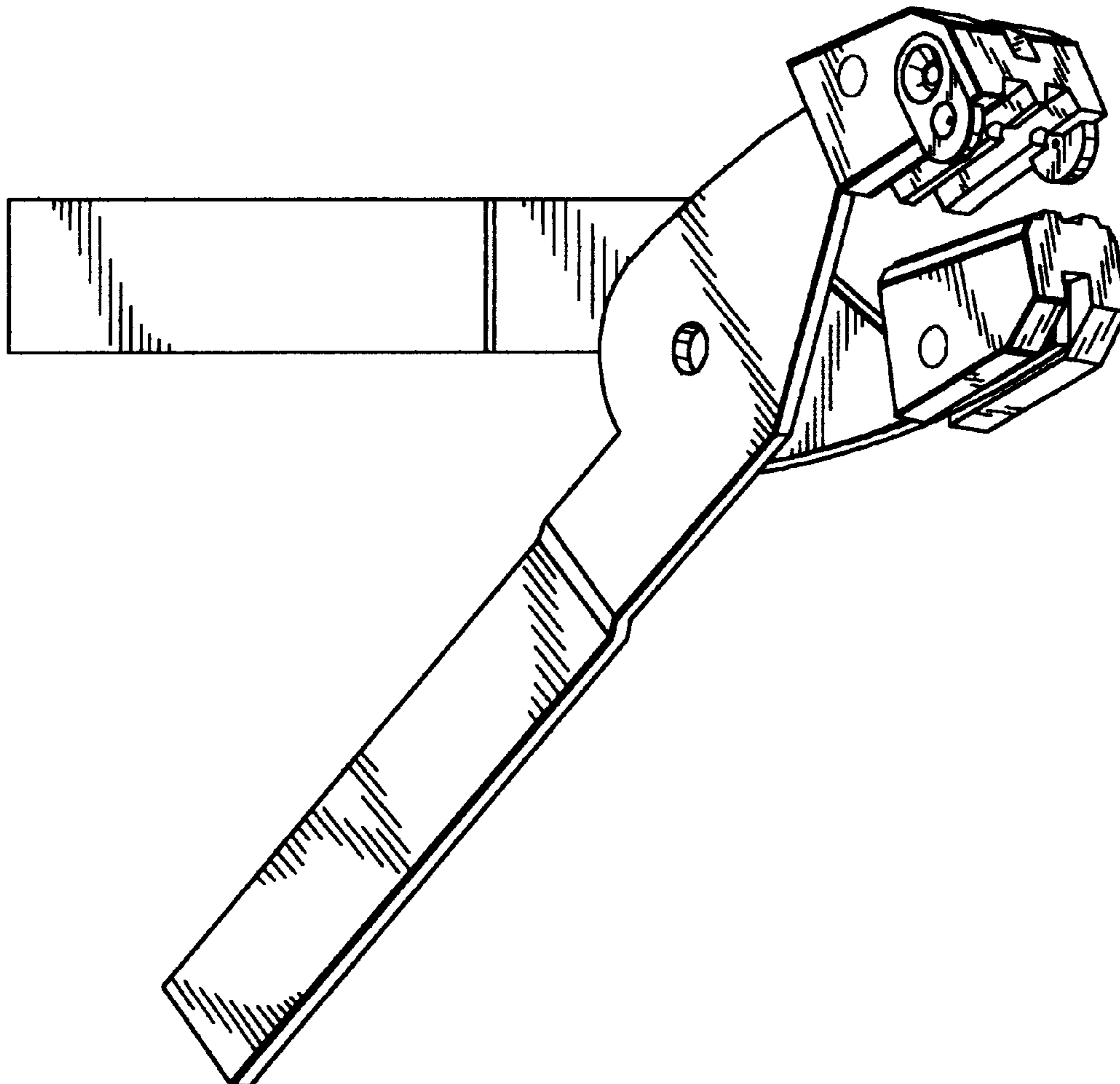
FIG. 5 is a right side view of the fishing line fastening tool showing the crimping heads in the open position

FIG. 6 is a front view of the fishing line fastening tool showing the crimping heads in the open position; and,

FIG. 7 is a rear view of the fishing line fastening tool showing the crimping heads in the open position.

*Primary Examiner—Louis S. Zarfes*  
*Assistant Examiner—Inga-Maria Hyttinen*

**1 Claim, 2 Drawing Sheets**



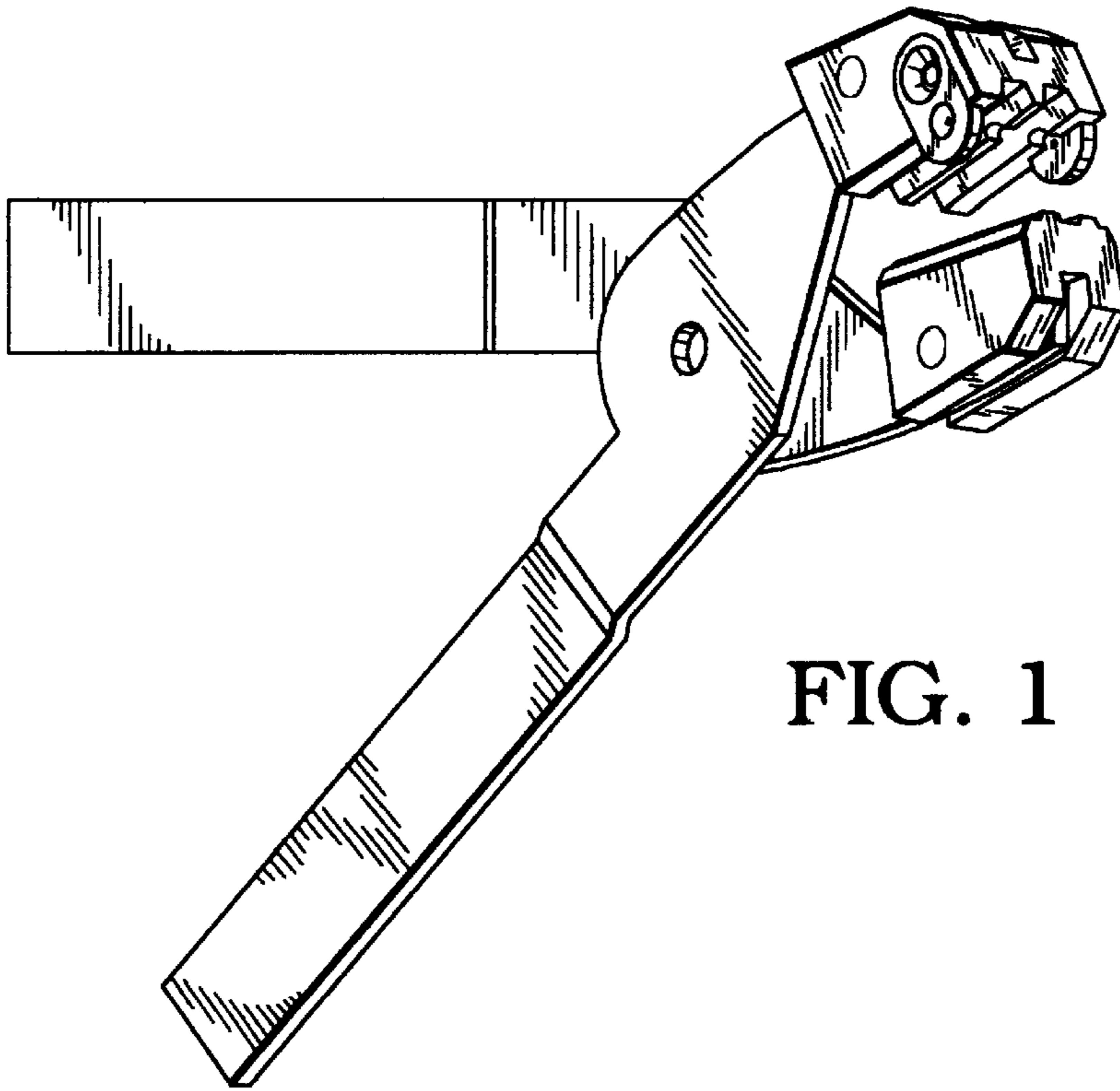


FIG. 1

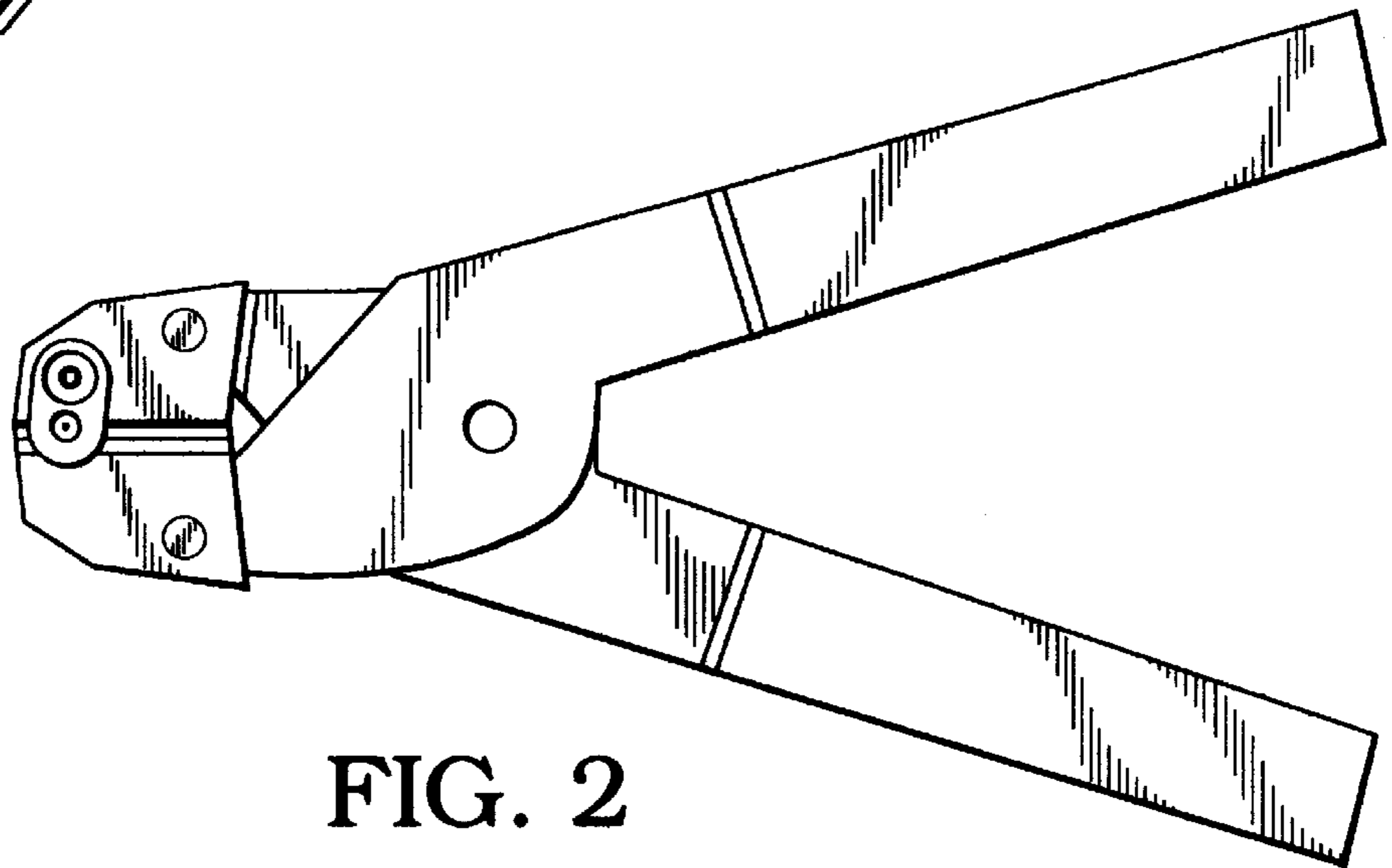


FIG. 2

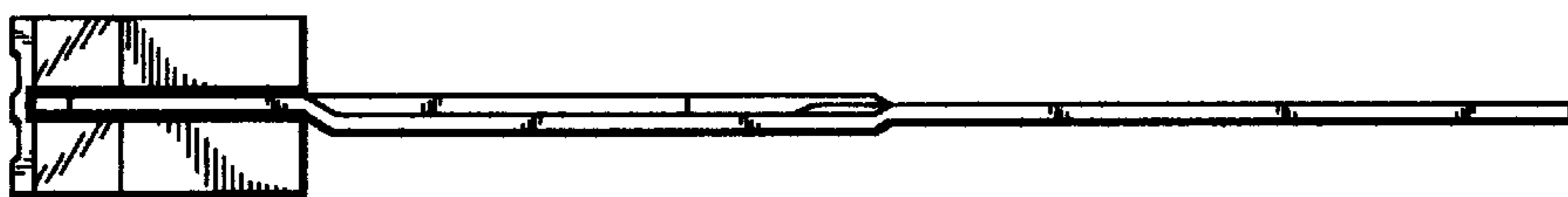


FIG. 3



FIG. 4

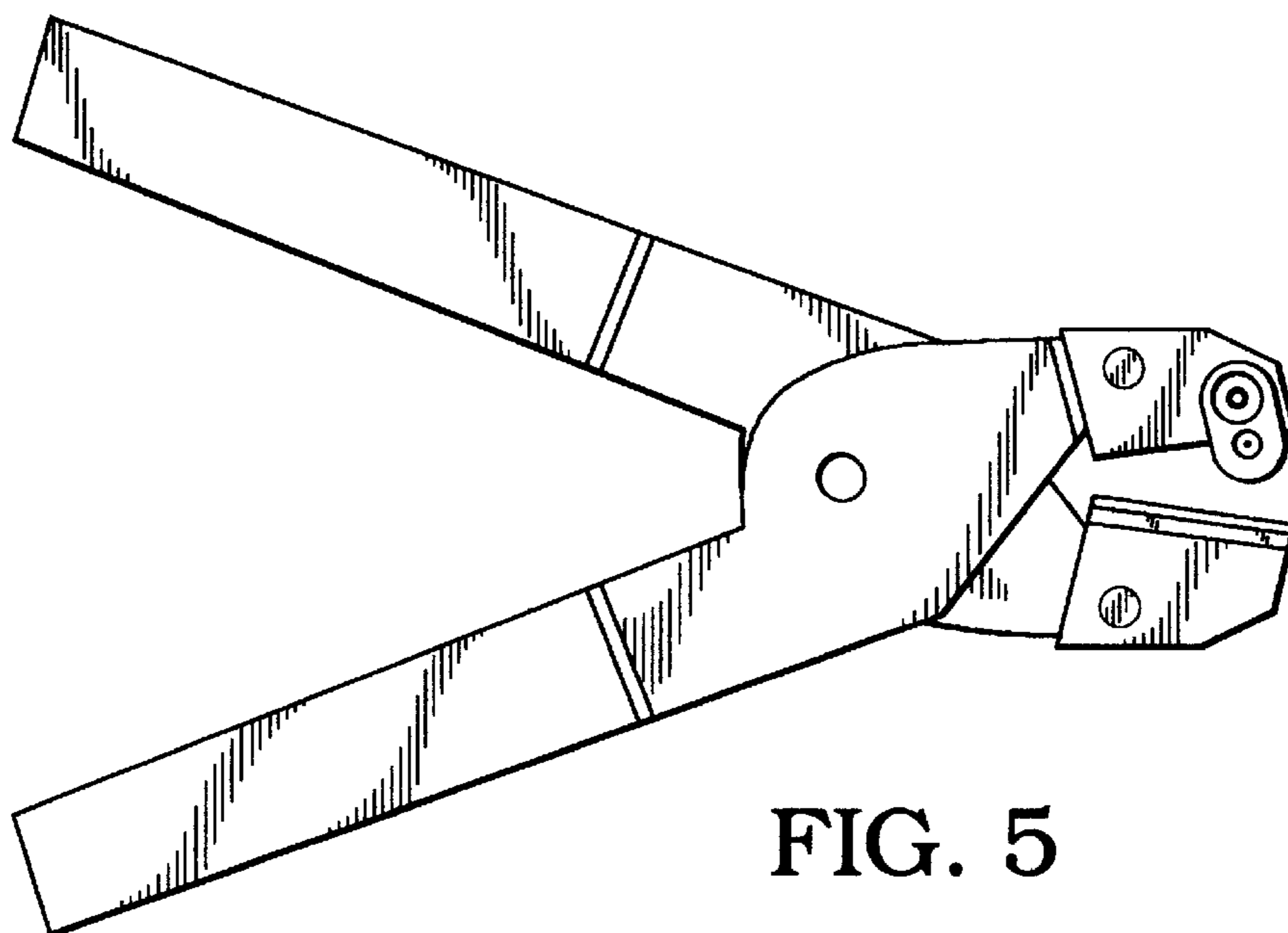


FIG. 5

FIG. 6

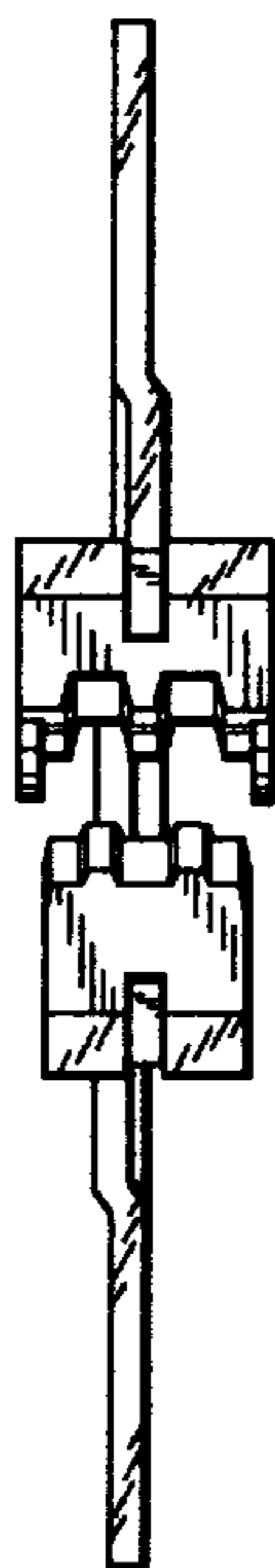


FIG. 7

