



US00D427658S

United States Patent [19] Tucker

[11] **Patent Number: Des. 427,658**
[45] **Date of Patent: ** Jul. 4, 2000**

[54] **RIFLE SIGHT POWER ADJUSTMENT RING**

[75] Inventor: **Allen Tucker**, Portland, Oreg.

[73] Assignee: **Leupold & Stevens, Inc.**, Beaverton, Oreg.

[**] Term: **14 Years**

[21] Appl. No.: **29/078,317**

[22] Filed: **Oct. 20, 1997**

[51] **LOC (7) Cl.** **22-01**

[52] **U.S. Cl.** **D22/109; D22/108**

[58] **Field of Search** D22/100, 101, D22/103, 108, 109, 110; 42/101; 33/245, 246, 247, 248, 249, 250

[56] **References Cited**

U.S. PATENT DOCUMENTS

D. 365,858	1/1996	Tomita	D22/109
D. 369,367	4/1996	Tomita	D22/109 X
2,224,783	12/1940	Gibbs	33/248
2,355,384	8/1944	Litschert	33/246
2,424,011	7/1947	DeGramont	33/248
2,493,865	1/1950	Foster	33/248
4,822,994	4/1989	Johnson et al.	33/245

OTHER PUBLICATIONS

Leupold & Stevens, Inc., Leupold 1997 Catalog (Nov. 5, 1996).

Leupold & Stevens, Inc., Leupold Field Guide to 1997 Optical Products (Nov. 5, 1996).

Primary Examiner—Louis S. Zarfes
Assistant Examiner—Monica A. Weingart
Attorney, Agent, or Firm—Stoel Rives LLP

[57] **CLAIM**

I claim the ornamental design for a rifle sight power adjustment ring, as shown and described.

DESCRIPTION

FIG. 1 is a perspective view of a rifle sight power adjustment ring in use with its environment of use shown in broken lines;

FIG. 2 is a perspective view of a rifle sight power adjustment ring, omitting the environment of normal use;

FIG. 3 is an eyepiece end view thereof;

FIG. 4 is an objective end view thereof;

FIG. 5 is a right side elevational view thereof;

FIG. 6 is a left side elevational view thereof;

FIG. 7 is a bottom plan view thereof; and,

FIG. 8 is a top plan view thereof.

FIGS. 2–8 are shown on an enlarged scale.

The broken lines showing of the rifle sight housing, indicia and numerals in FIG. 1 are illustrative of the environmental structure only and form no part of the claimed design.

1 Claim, 4 Drawing Sheets

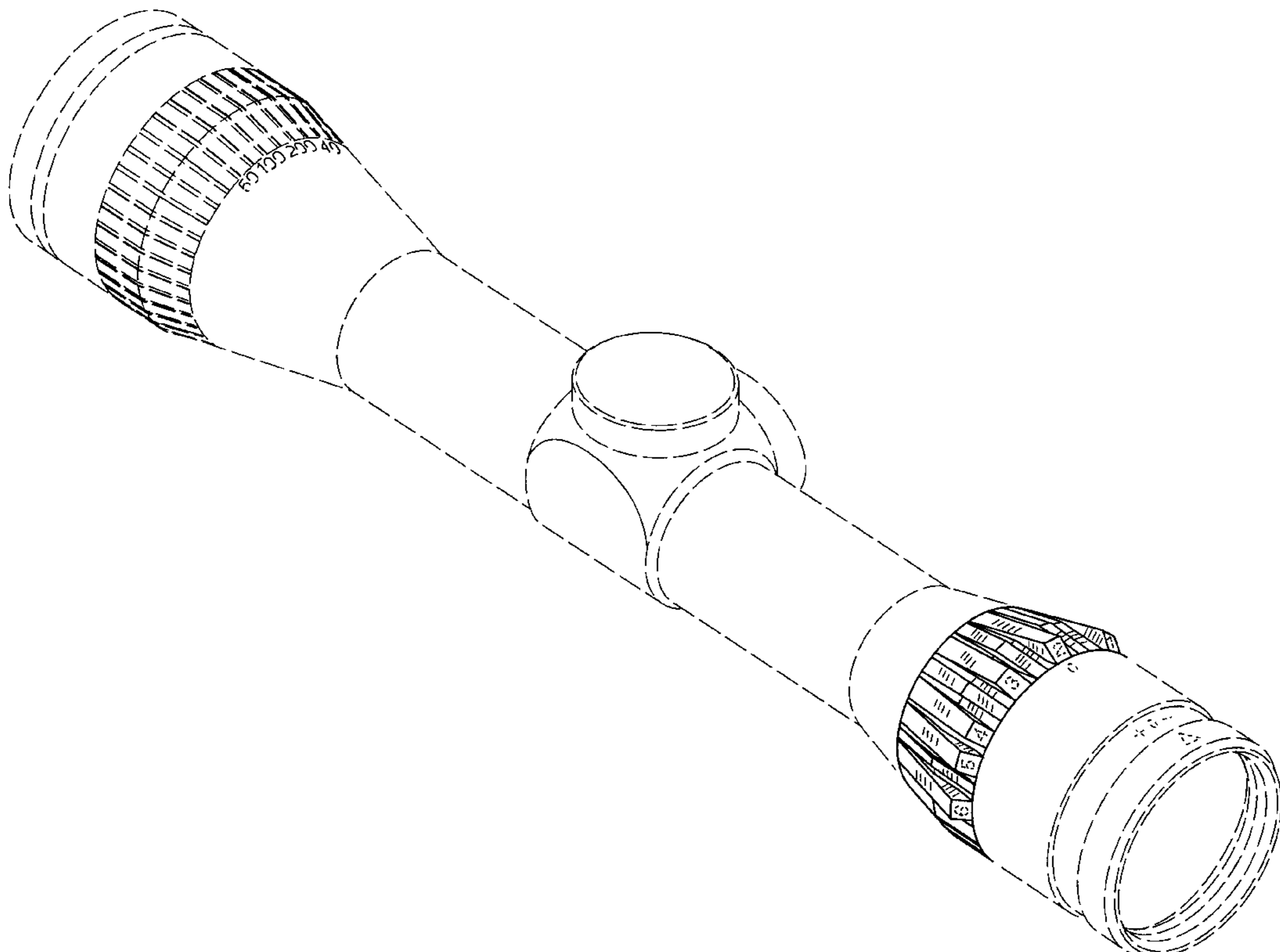


FIG. 1

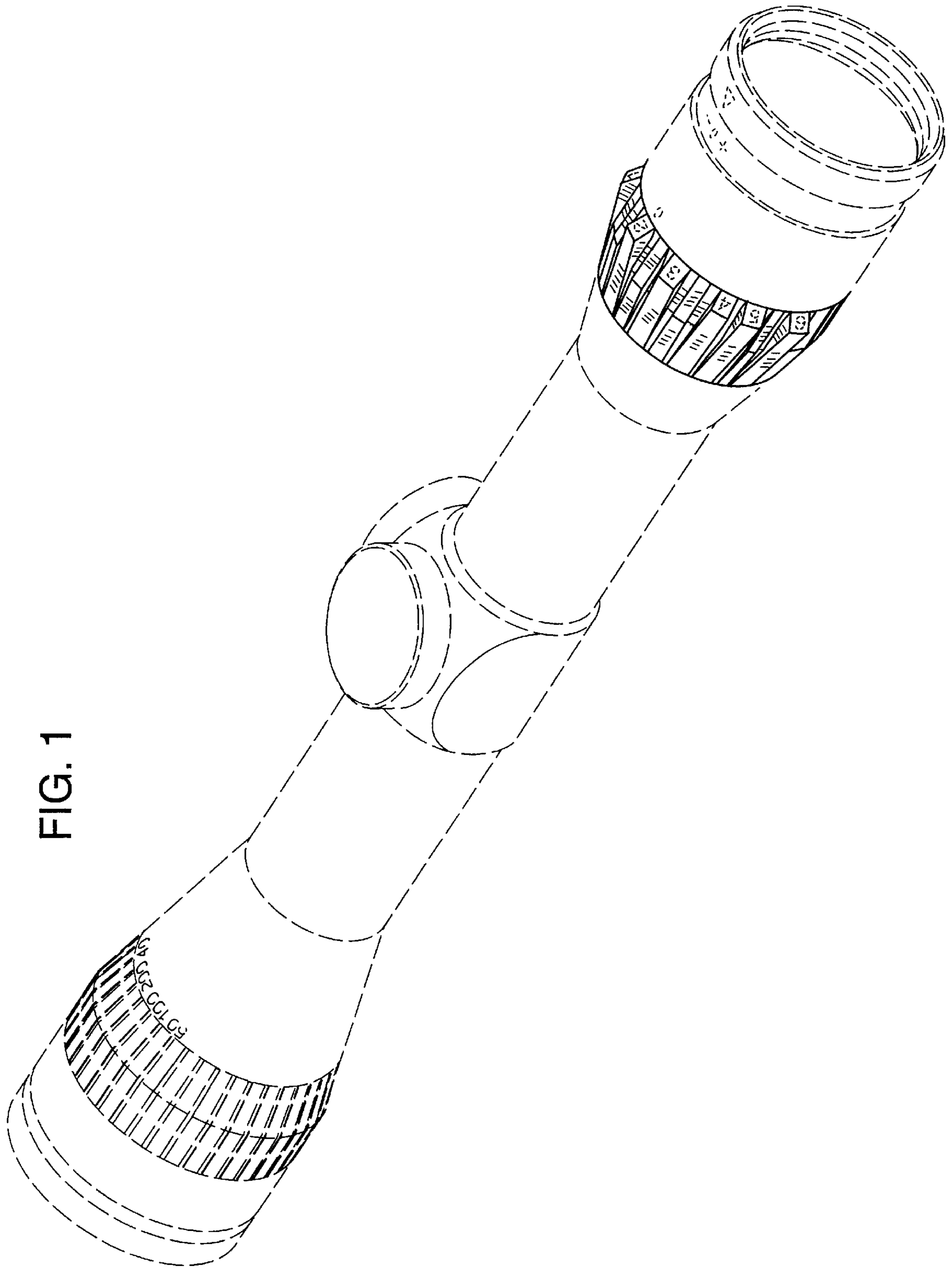


FIG. 2

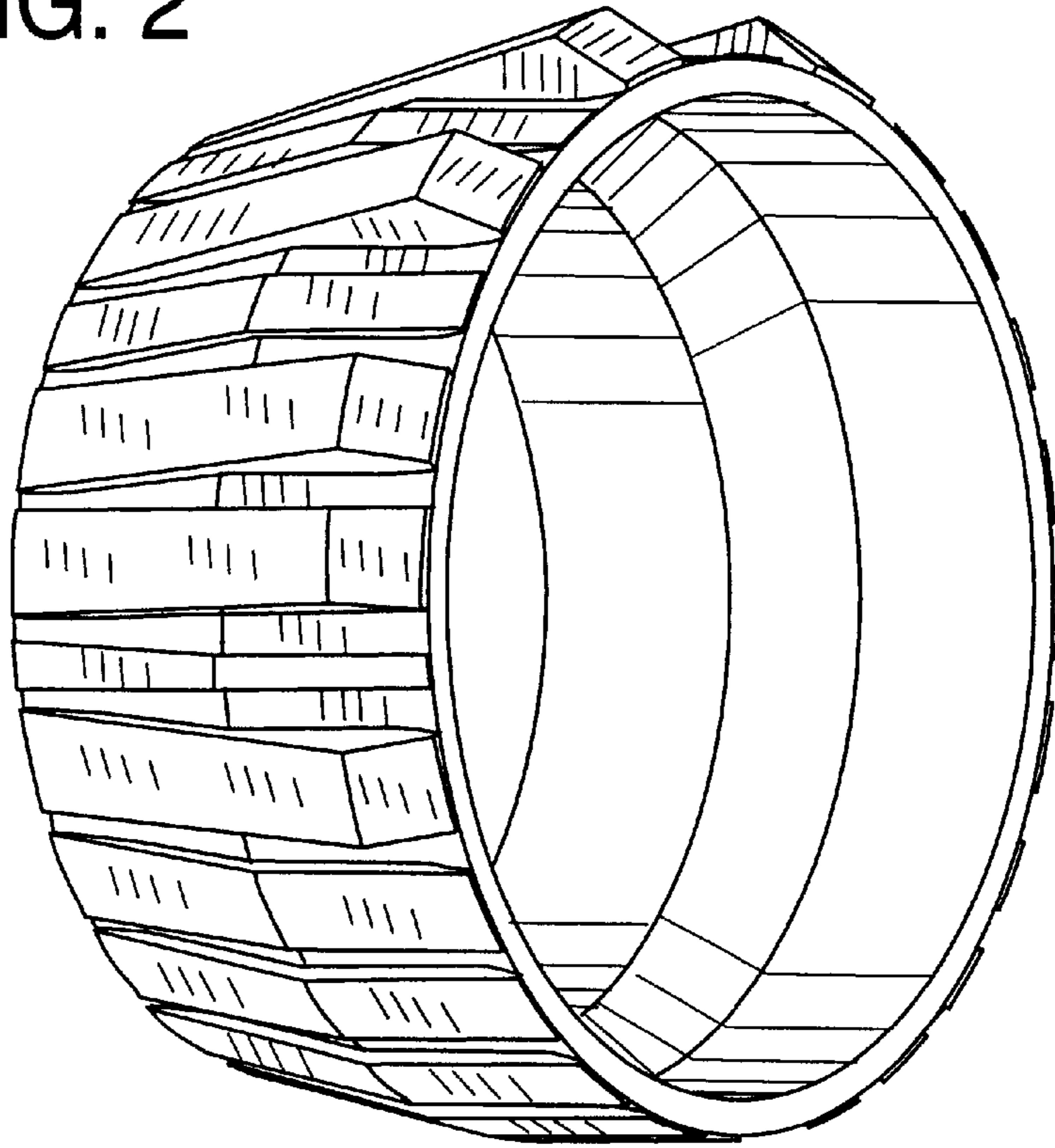


FIG. 3

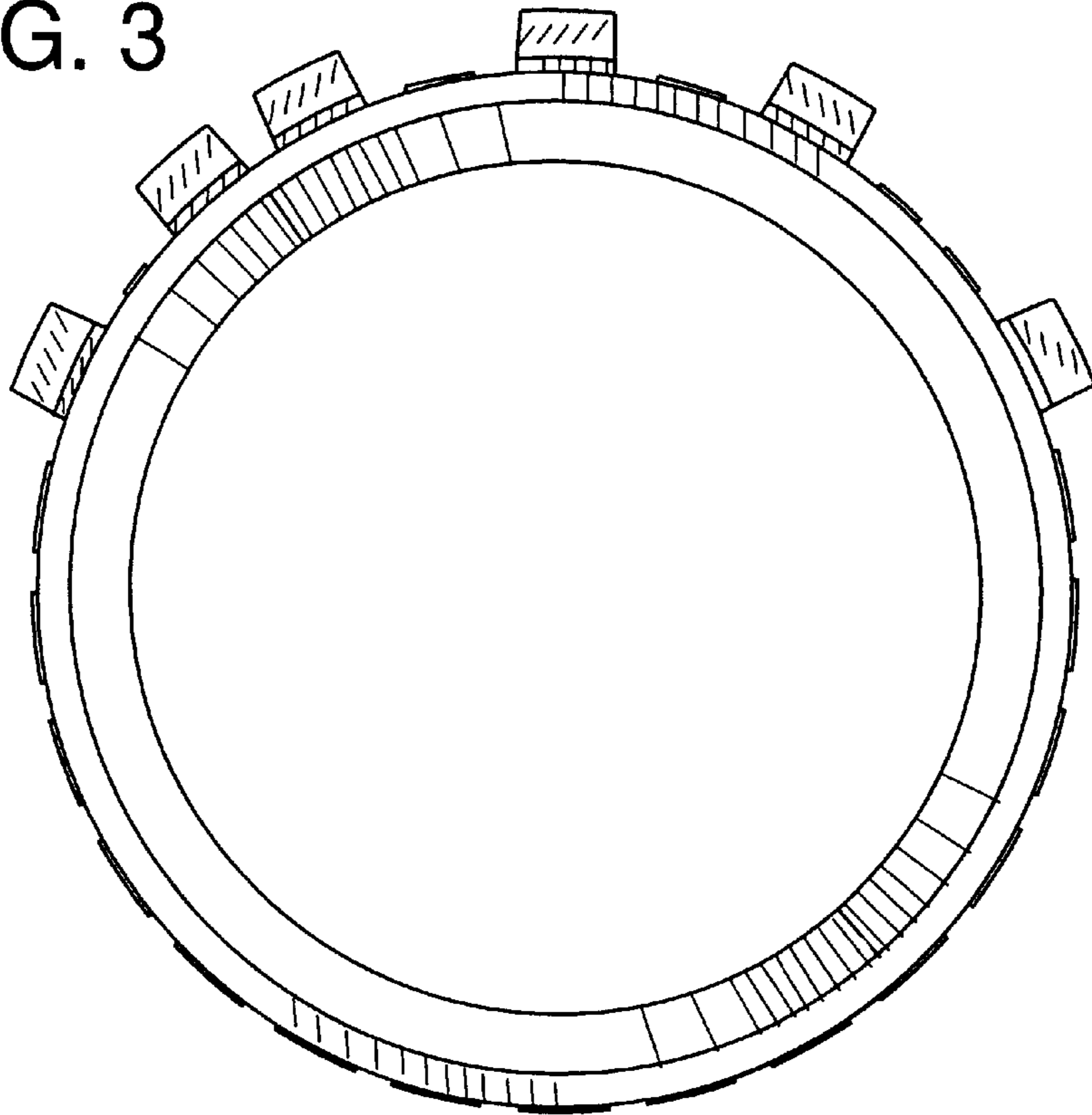


FIG. 4

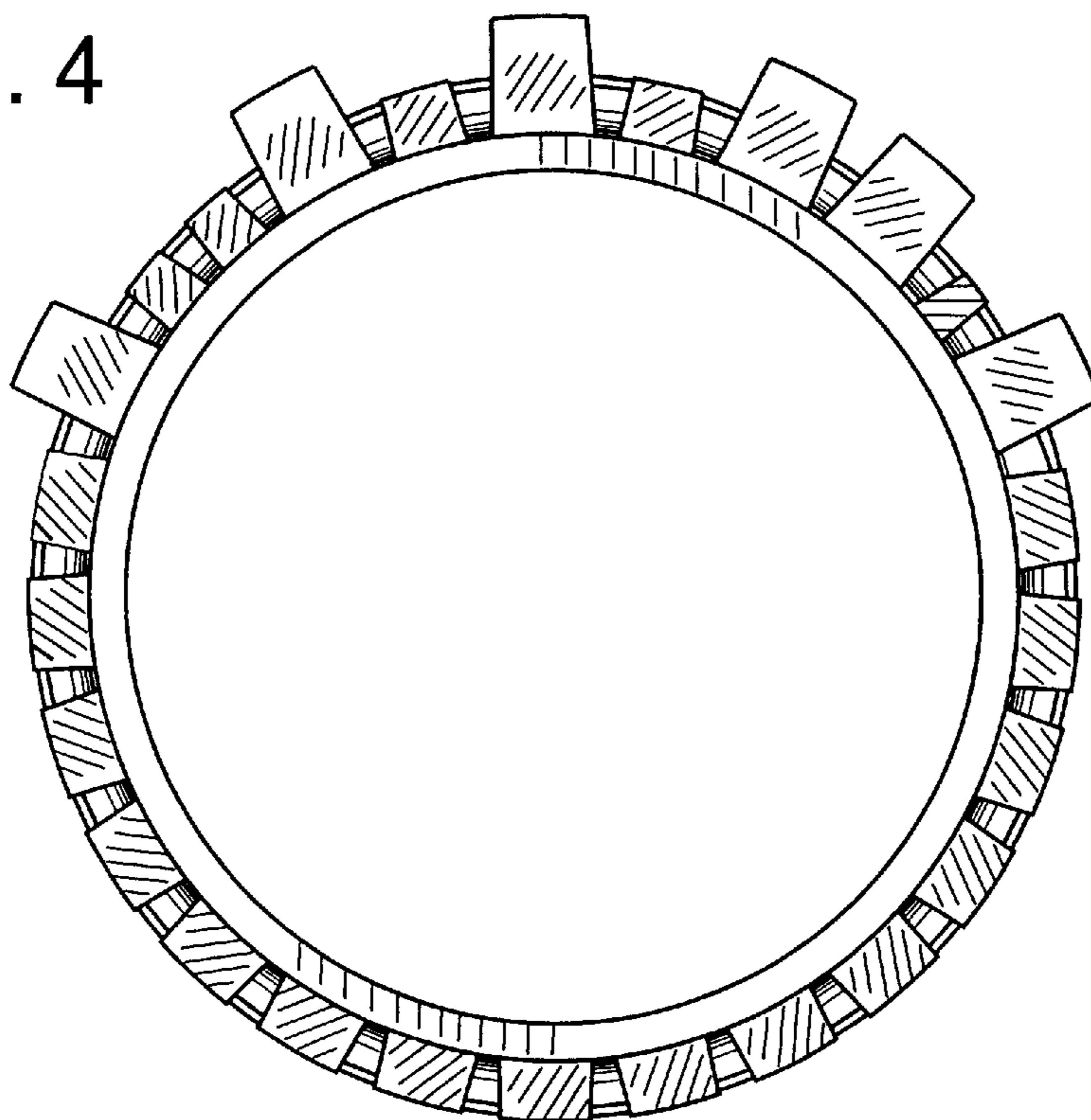


FIG. 5

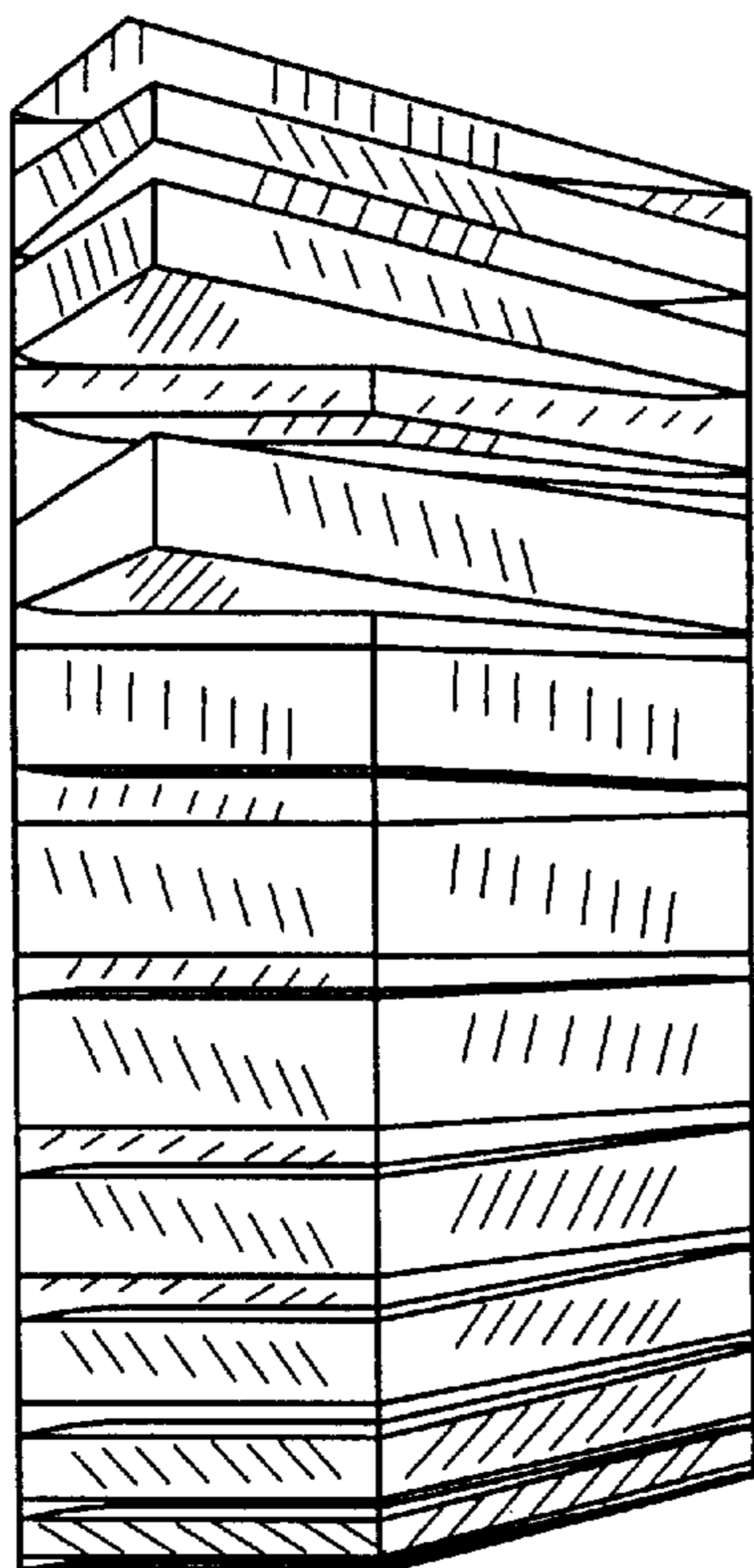


FIG. 6

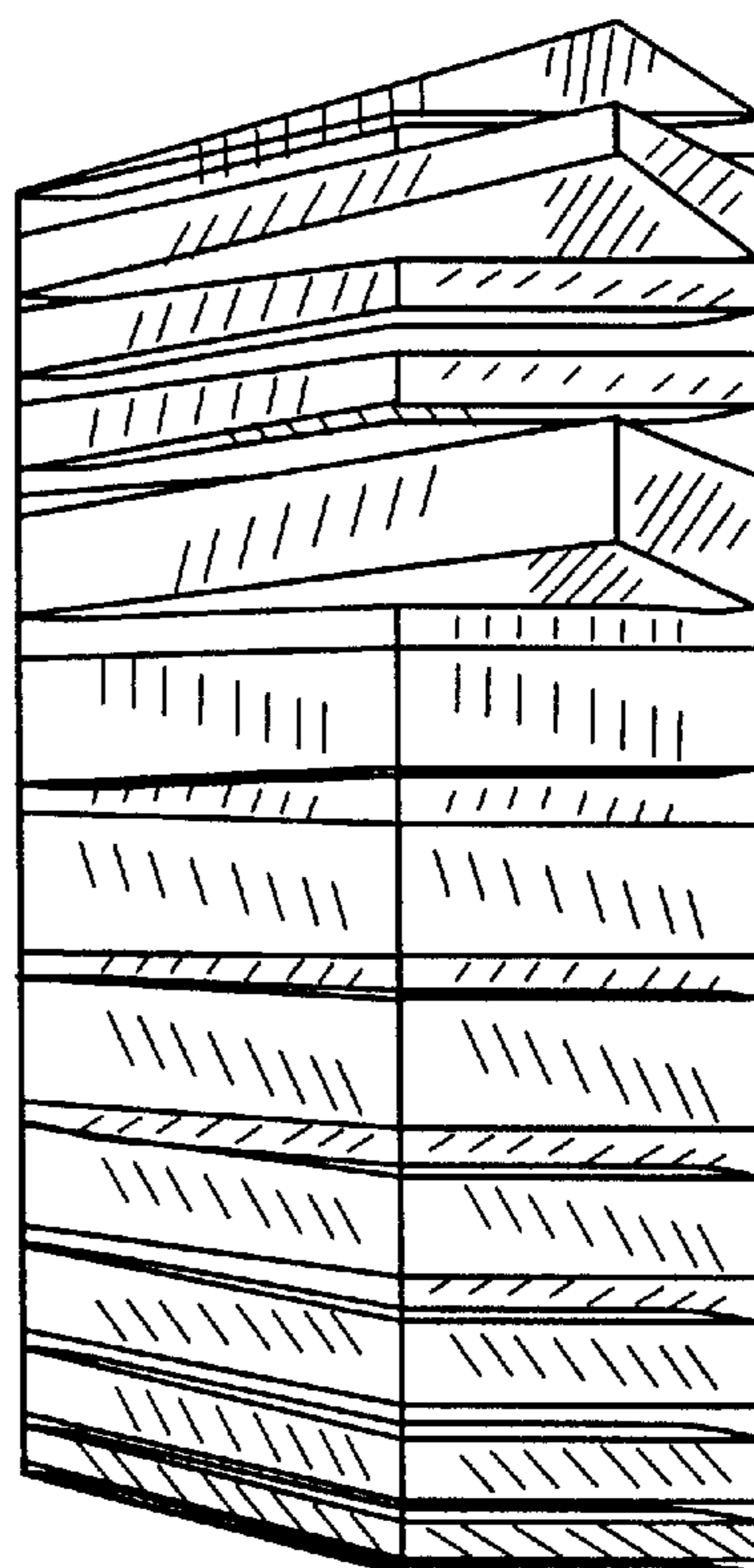


FIG. 7

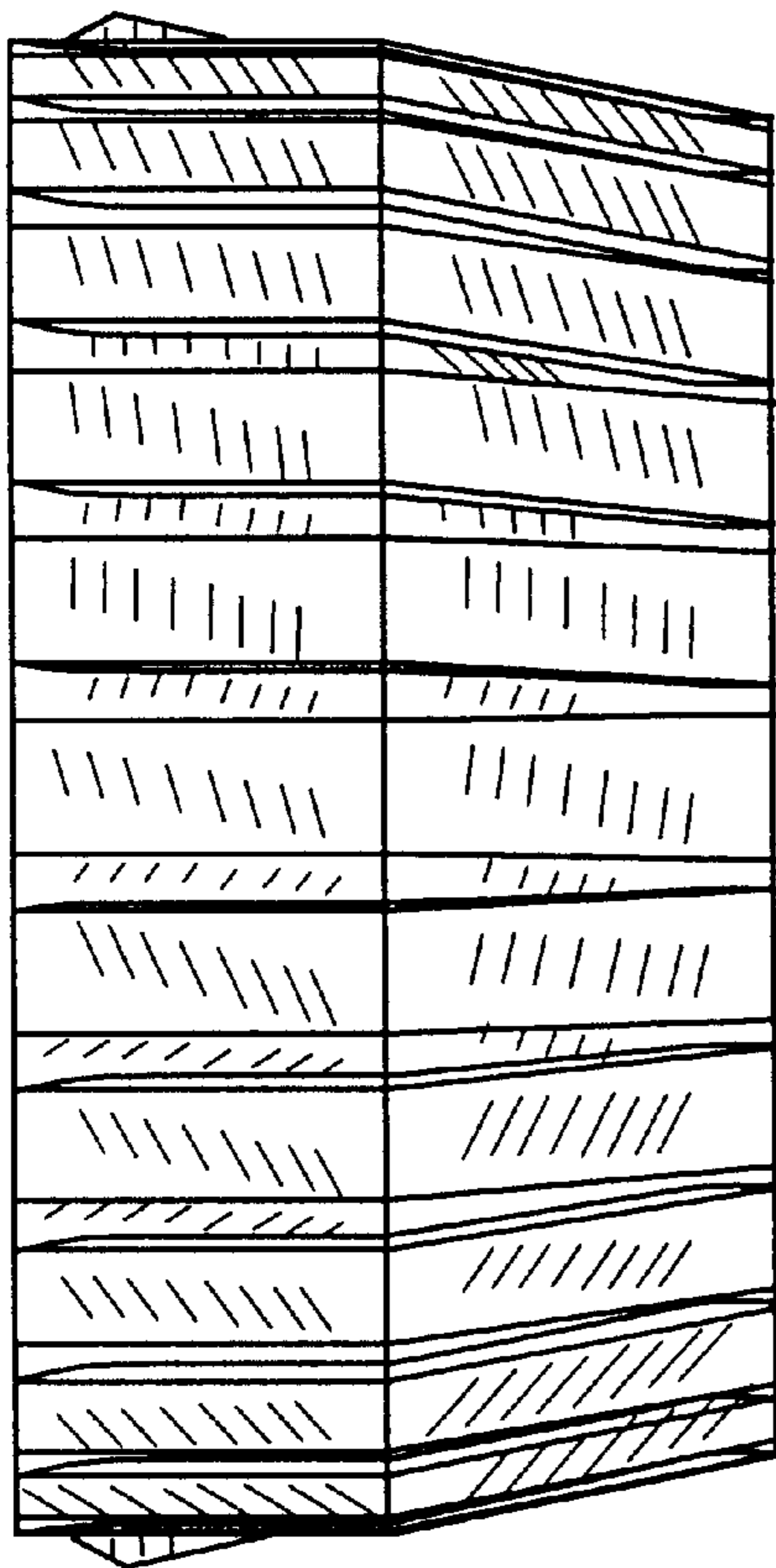


FIG. 8

