



US00D427652S

# United States Patent [19]

[11] **Patent Number: Des. 427,652**

**Webber**

[45] **Date of Patent: \*\* Jul. 4, 2000**

[54] **EXERCISE BENCH**

5,727,764	3/1998	Angeles	.....	482/104
5,882,283	3/1999	Stevens	.....	482/104
5,921,897	7/1999	Stevens	.....	482/104

[76] Inventor: **Randall T. Webber**, 100 Harbor Dr.  
#1404, San Diego, Calif. 92101

### OTHER PUBLICATIONS

[\*\*] Term: **14 Years**

Parabody 866 Strength Building System brochure, 1995.  
Tuff Stuff Brochure, TWC-35 Wide Combo Bench and  
TID-45 Multi-Purpose Bench, date unknown.  
Tuff Stuff TWC-35 Assembly Instructions, date unknown.

[21] Appl. No.: **29/108,740**

[22] Filed: **Aug. 3, 1999**

*Primary Examiner*—Philip S. Hyder  
*Attorney, Agent, or Firm*—Brown, Martin, Haller &  
McClain, LLP

[51] **LOC (7) Cl.** ..... **21-02**

[52] **U.S. Cl.** ..... **D21/676; D21/690**

[58] **Field of Search** ..... D21/662, 673,  
D21/674, 675, 676, 686, 690, 691; 482/92,  
93, 104, 142, 134, 138

### [57] CLAIM

The ornamental design for an exercise bench, as shown.

### [56] References Cited

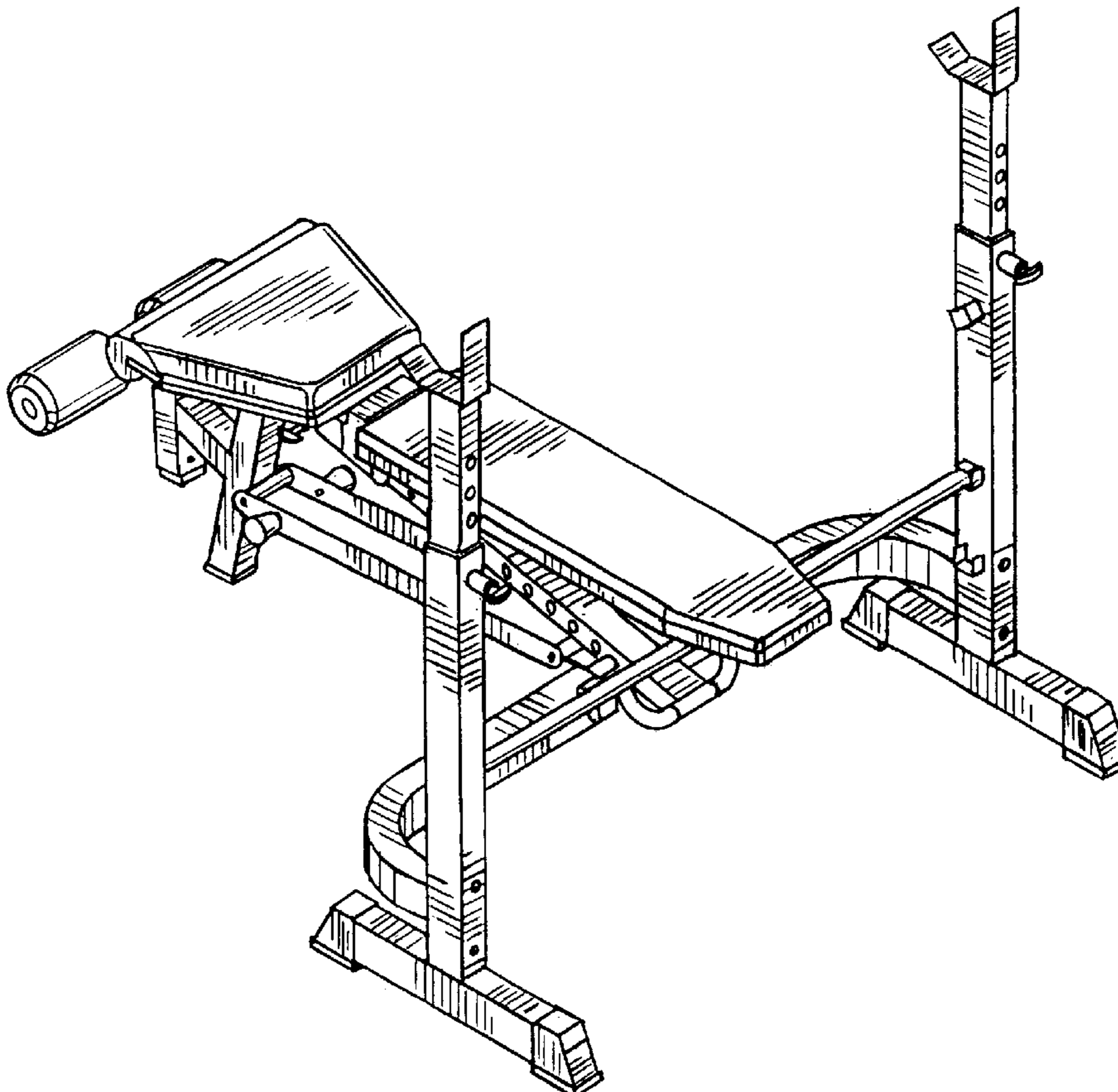
### DESCRIPTION

#### U.S. PATENT DOCUMENTS

D. 314,026	1/1991	Jennings	.....	D21/676
D. 327,719	7/1992	Towley, III et al.	.....	D21/690
D. 369,840	5/1996	Clem	.....	D21/690
D. 384,116	9/1997	Brefka et al.	.....	D21/676
D. 390,287	2/1998	Hsieh et al.	.....	D21/676
D. 390,895	2/1998	Brefka et al.	.....	D21/676
D. 399,543	10/1998	Stevens	.....	D21/676
4,369,966	1/1983	Silberman et al.	.....	482/104
4,634,127	1/1987	Rockwell	.	
4,826,157	5/1989	Fitzpatrick	.	
4,861,025	8/1989	Rockwell	.....	482/104
4,974,839	12/1990	Cantor	.....	482/104

FIG. 1 is a rear perspective view of an exercise bench showing my new design;  
FIG. 2 is a front perspective view thereof;  
FIG. 3 is a top plan view thereof;  
FIG. 4 is a side elevational view thereof;  
FIG. 5 is a side elevational view in a different position; and,  
FIG. 6 is a side elevational view in a folded position.  
The areas of the exercise bench which are not disclosed in the drawings, form no part of the claimed design.

**1 Claim, 3 Drawing Sheets**



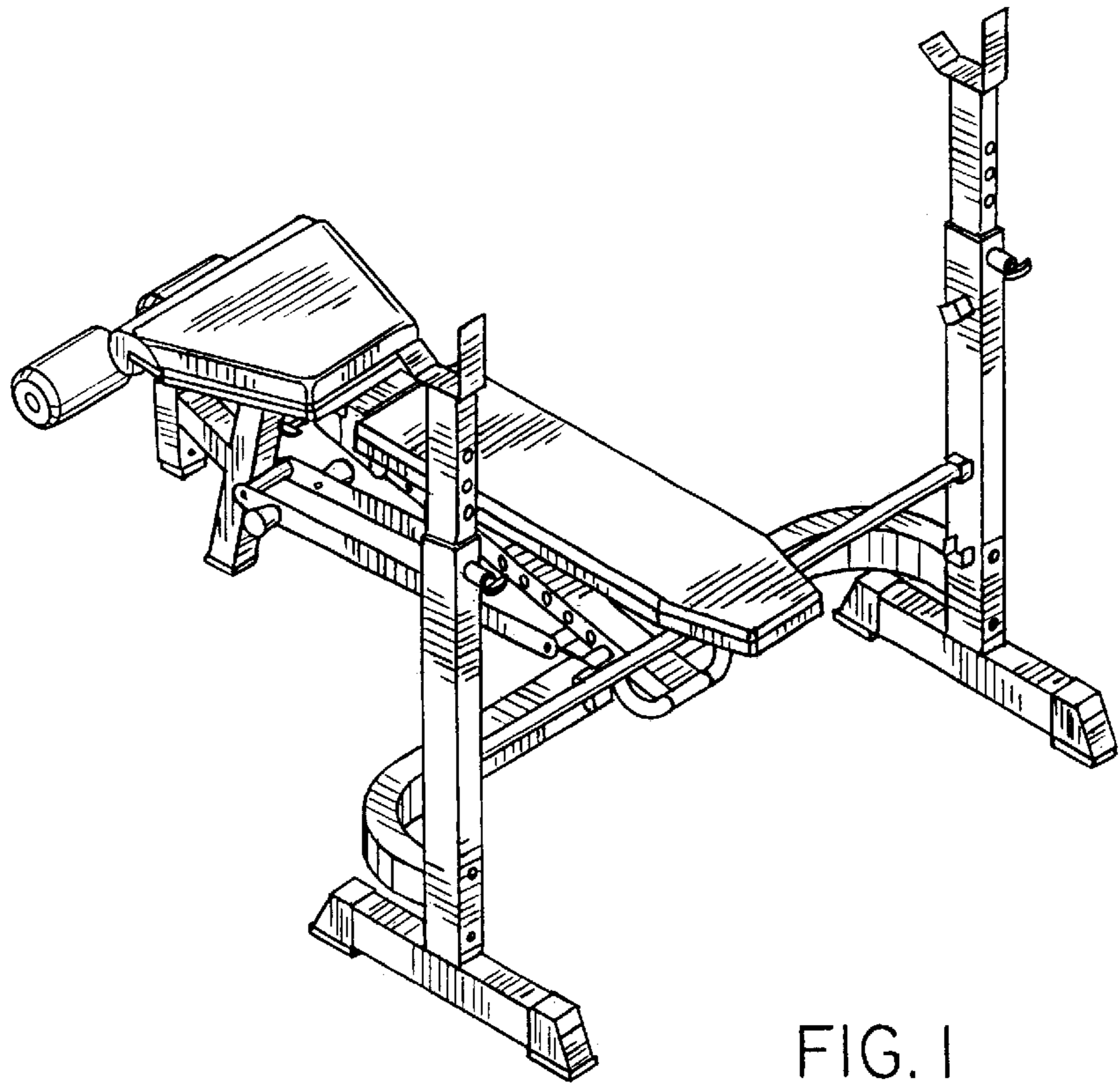


FIG. 1

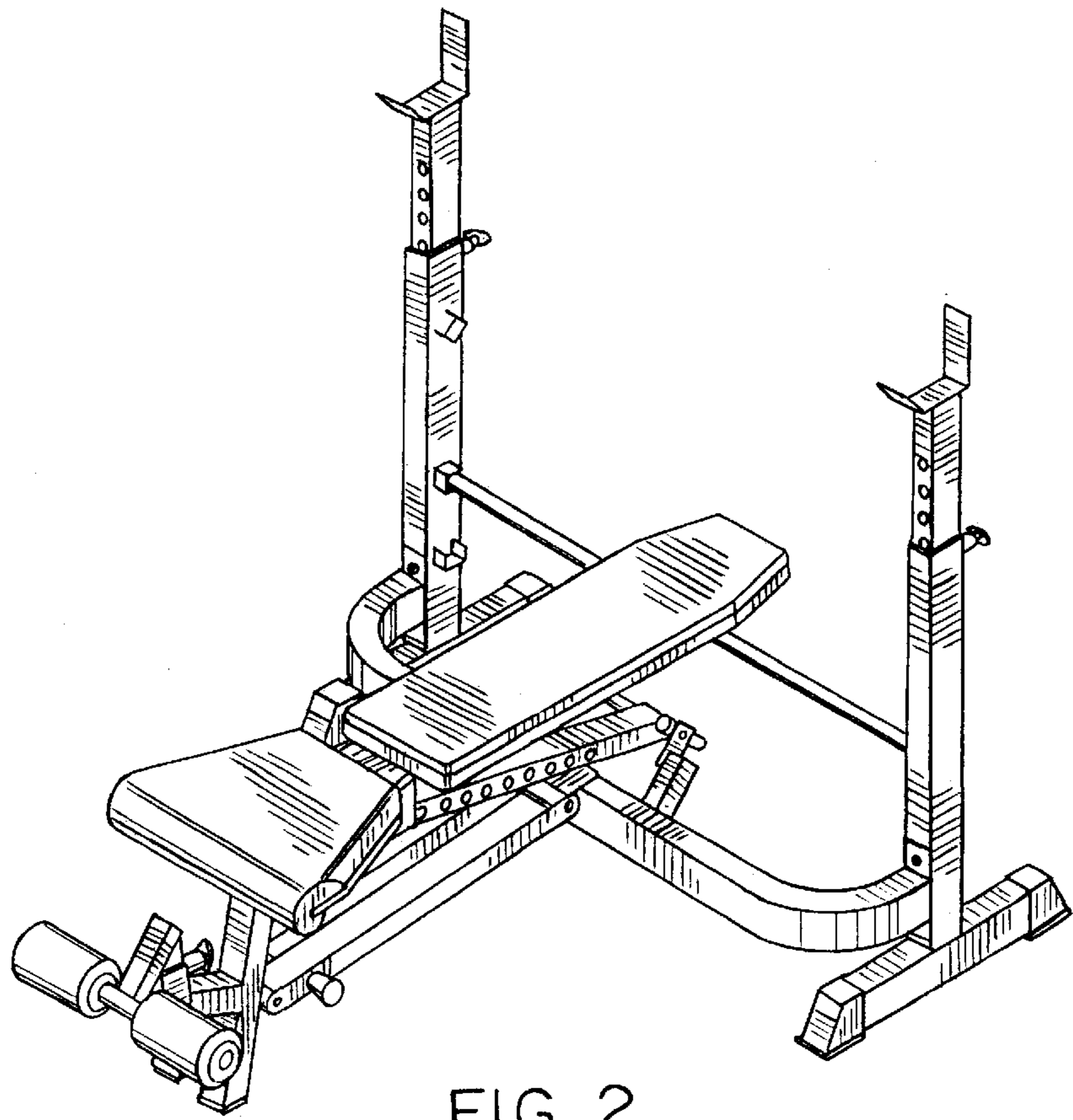


FIG. 2

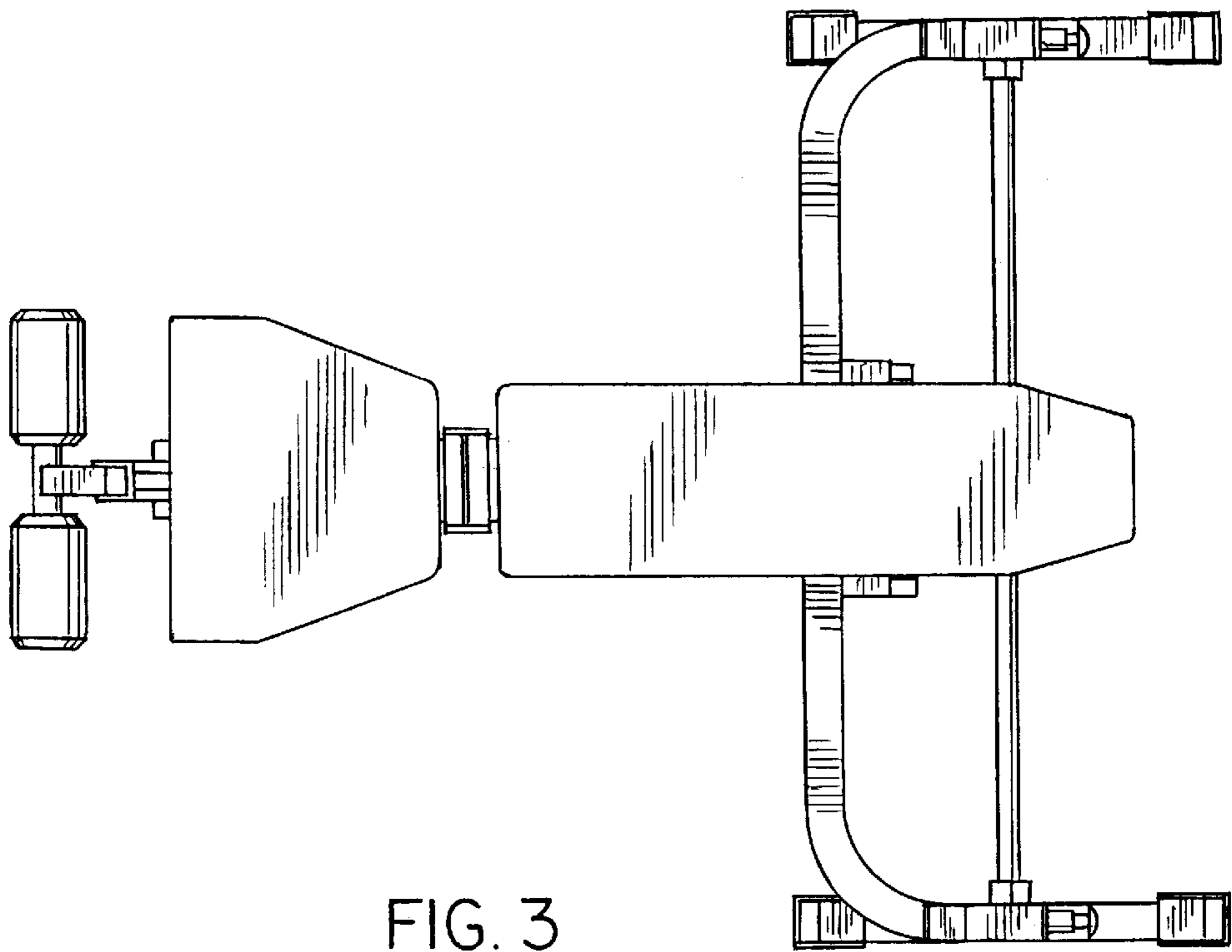


FIG. 3

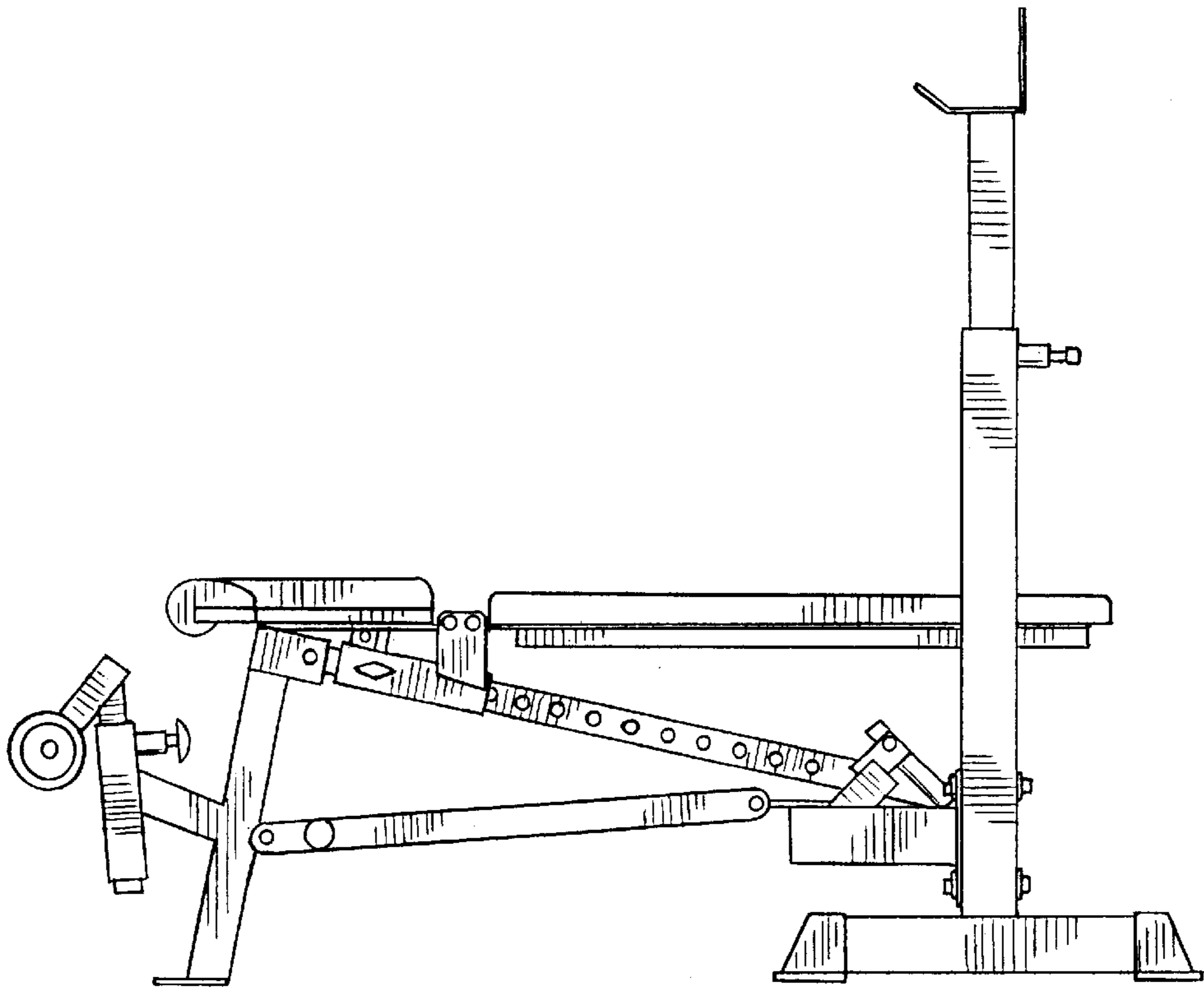


FIG. 4

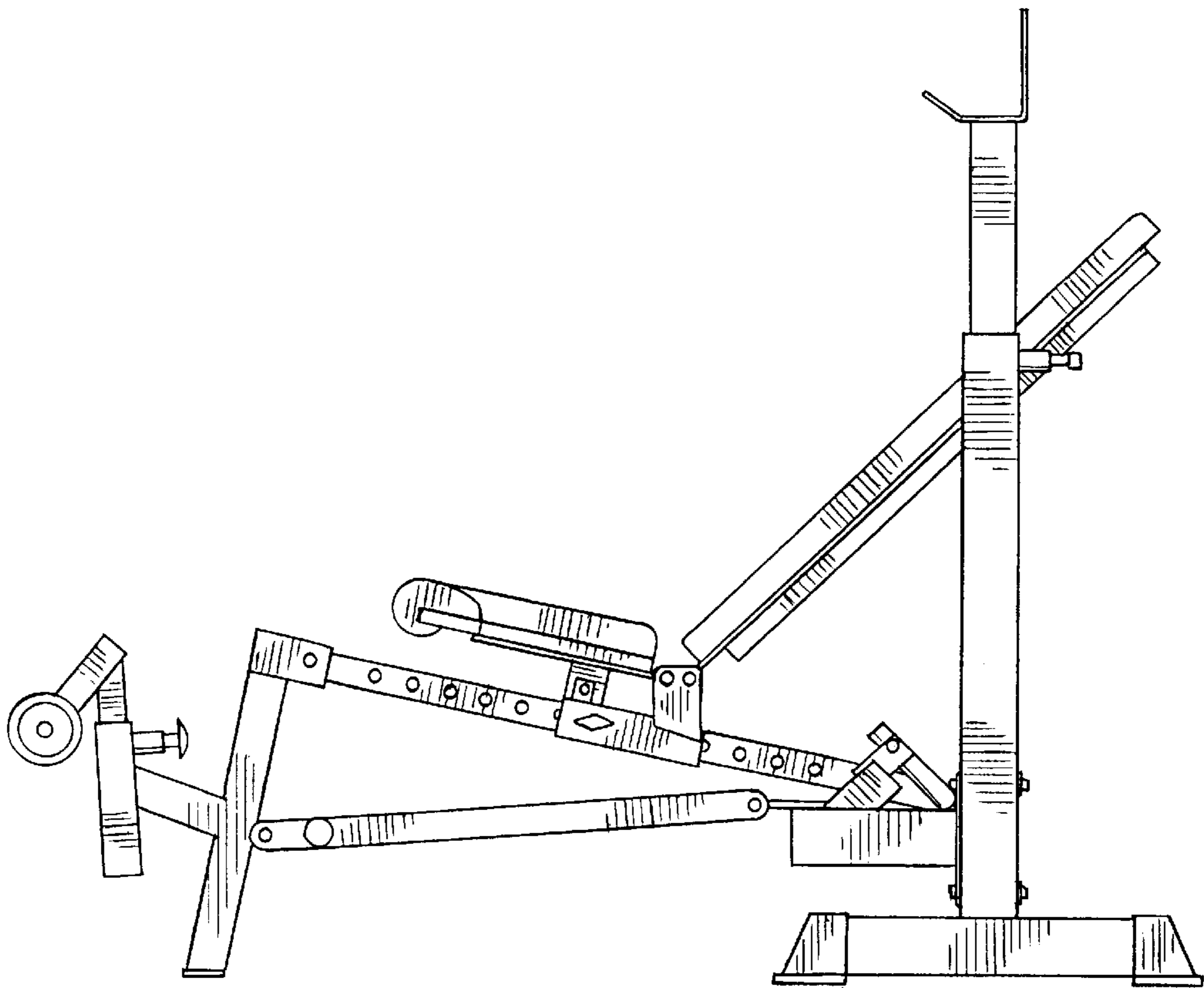


FIG. 5

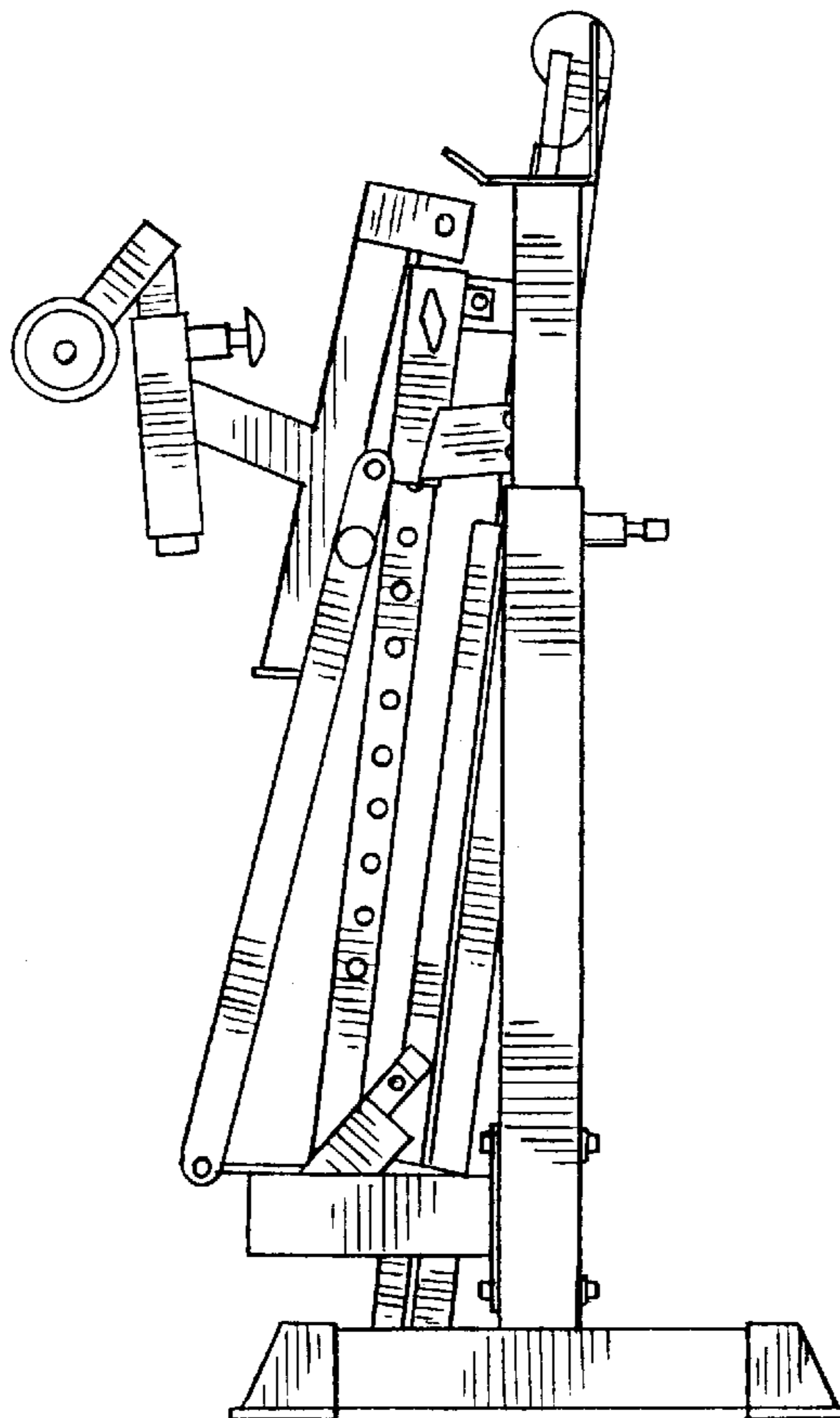


FIG. 6